

United States Patent [19]

Micallef

[11] Patent Number: **Des. 303,784**

[45] Date of Patent: **** Oct. 3, 1989**

[54] **AIRCRAFT ENGINE COVER**

[75] Inventor: **Alfred M. Micallef, Aledo, Tex.**

[73] Assignee: **JMK International, Inc., Fort Worth, Tex.**

[**] Term: **14 Years**

[21] Appl. No.: **905,037**

[22] Filed: **Sep. 8, 1986**

[52] U.S. Cl. **D12/345**

[58] Field of Search **D12/345, 319, 202; 244/53 B, 134 C, 129.4, 1 R; 206/319; 150/157**

[56] **References Cited**

U.S. PATENT DOCUMENTS

D. 177,071	3/1956	Schatzki	D12/345
D. 232,626	9/1974	Smallwood	D10/60
2,744,382	5/1956	Sokol et al.	244/53 B
2,962,184	11/1960	Meier	220/24.5
3,000,533	9/1961	Jodock	220/24.5
3,121,545	2/1964	Meleton	244/53 B

3,426,981	2/1969	Allcock	244/1 R
3,646,980	3/1972	Peterson	150/157
3,871,844	3/1975	Calvin, Sr.	55/306
4,149,689	4/1979	McDonald	244/53·B
4,290,569	9/1981	McIntyre	244/129.4

FOREIGN PATENT DOCUMENTS

772026	11/1967	Canada	244/53 B
2214873	3/1972	Fed. Rep. of Germany	244/53 B
2220854	4/1972	Fed. Rep. of Germany	244/53 B

Primary Examiner—Wallace R. Burke

Assistant Examiner—Kay H. Chin

Attorney, Agent, or Firm—James E. Bradley

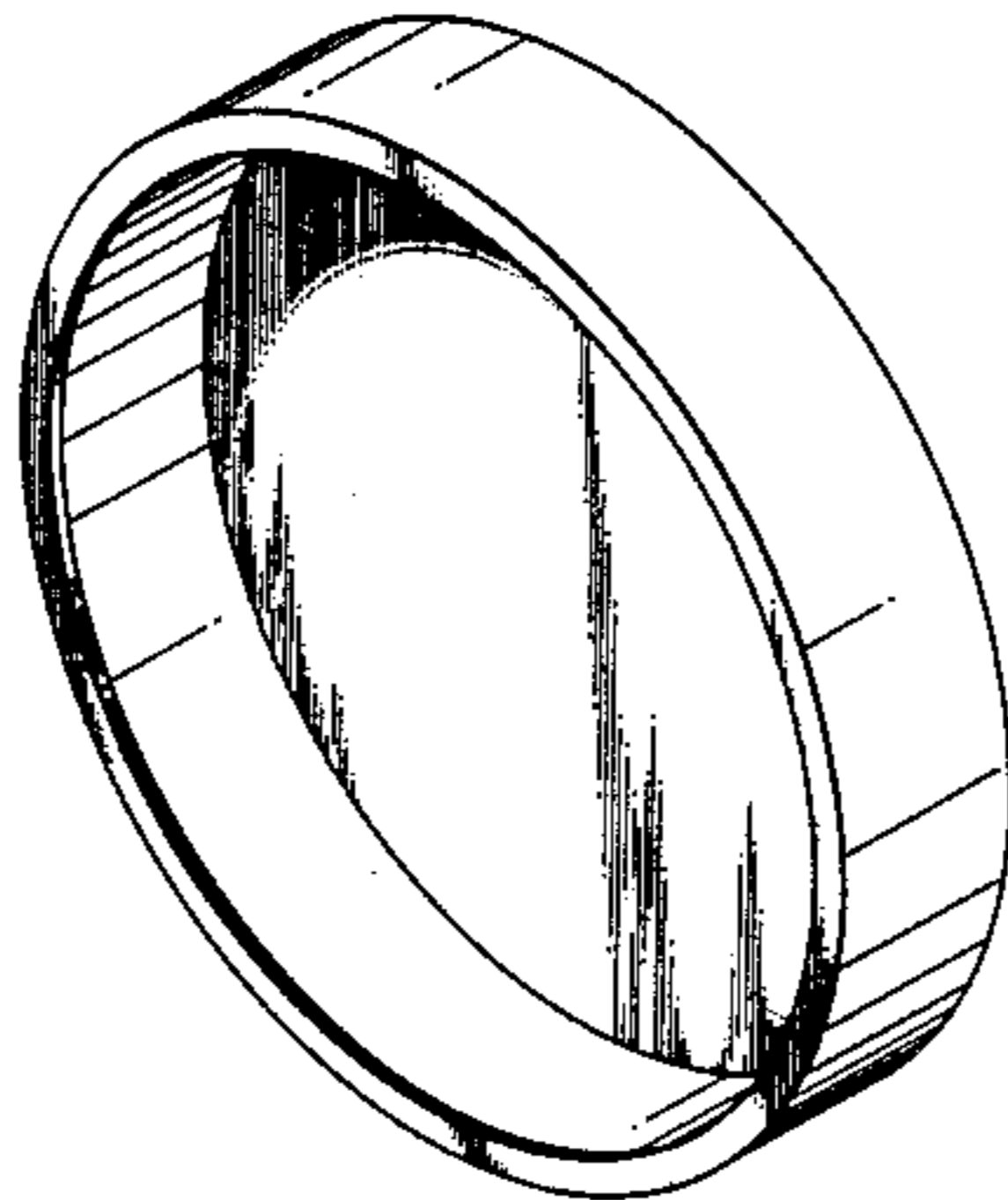
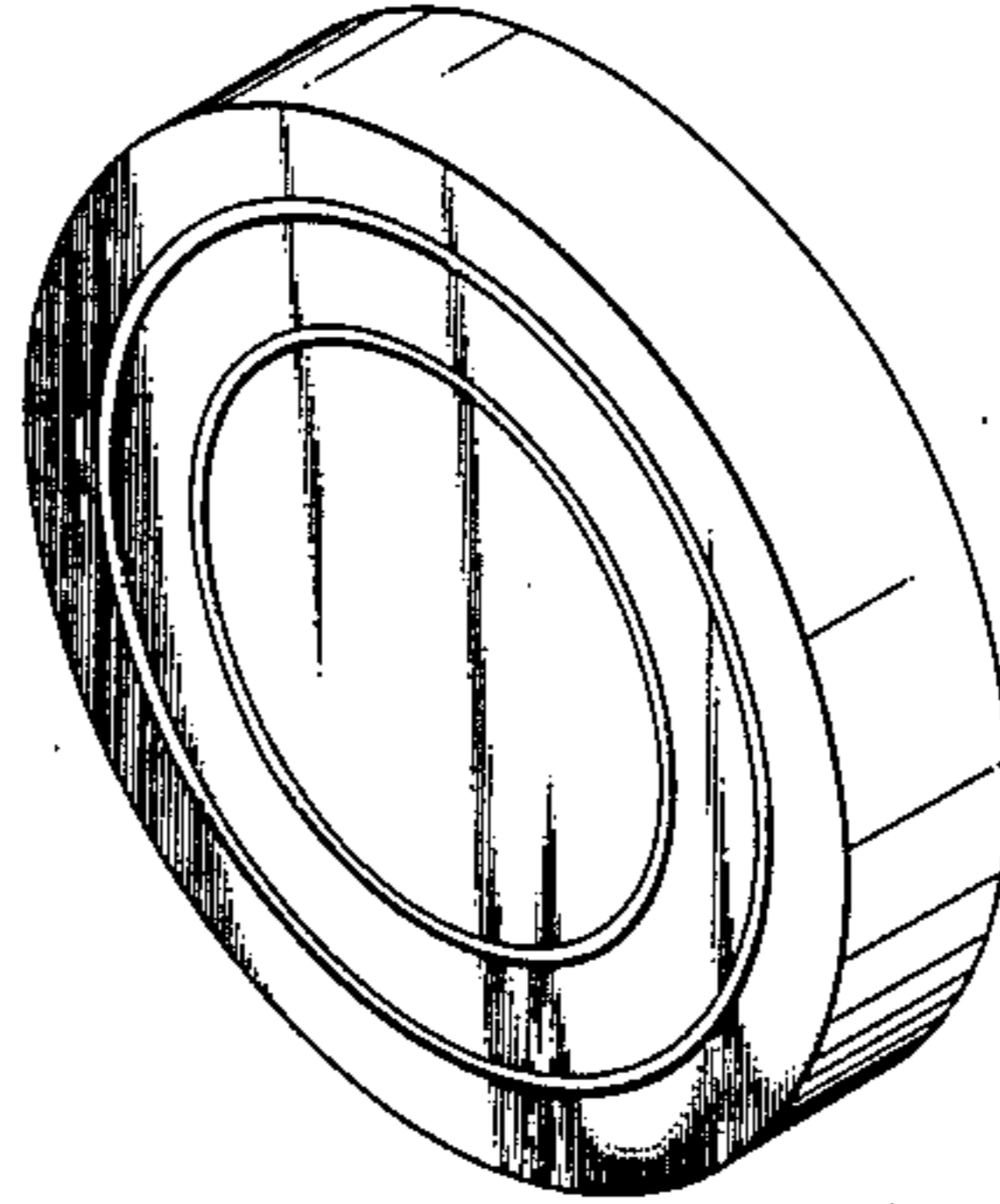
[57] **CLAIM**

The ornamental design for an aircraft engine cover, as shown.

DESCRIPTION

FIG. 1 is a front perspective view of an aircraft engine cover showing my new design;

FIG. 2 is a rear perspective view thereof.



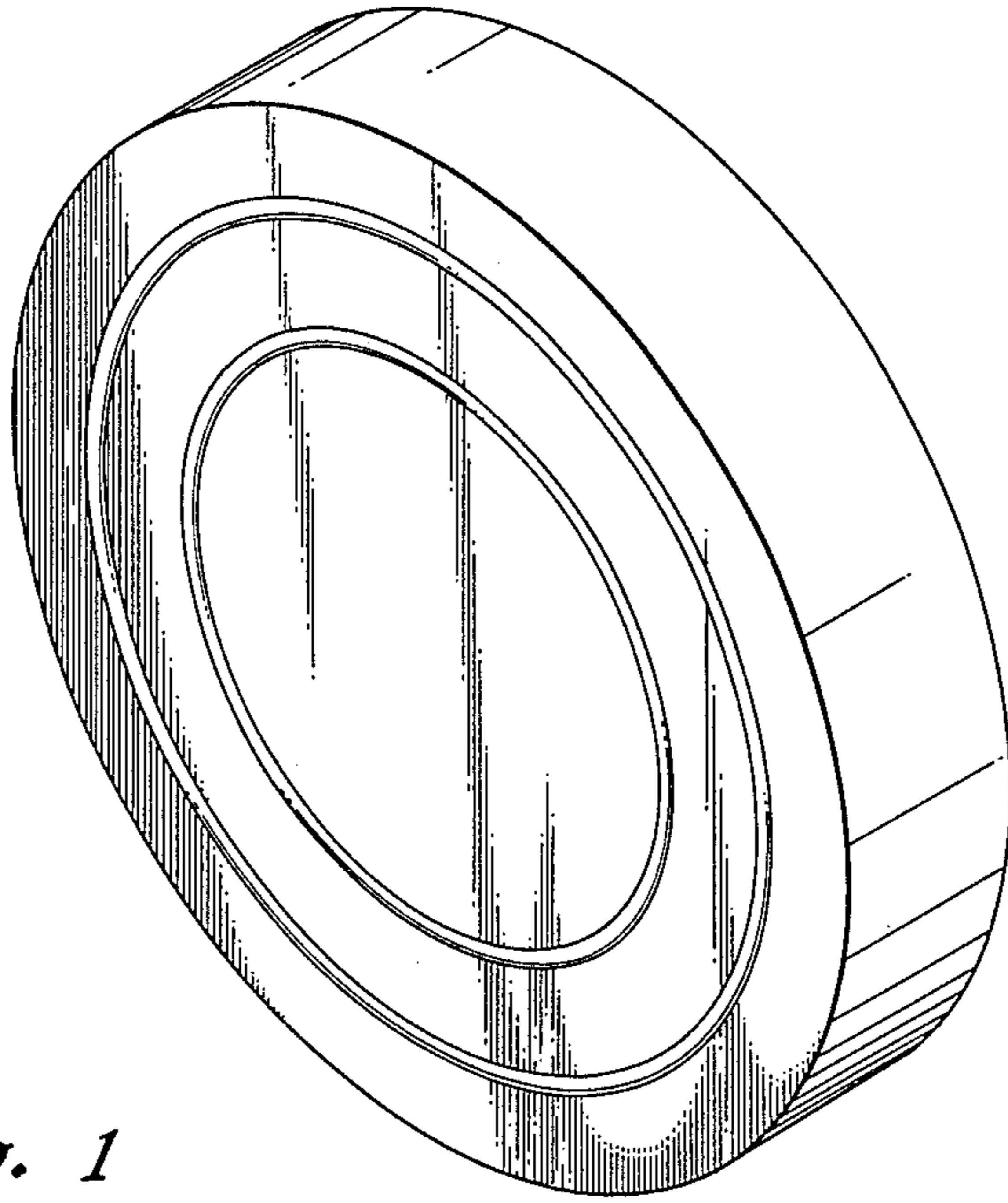


Fig. 1

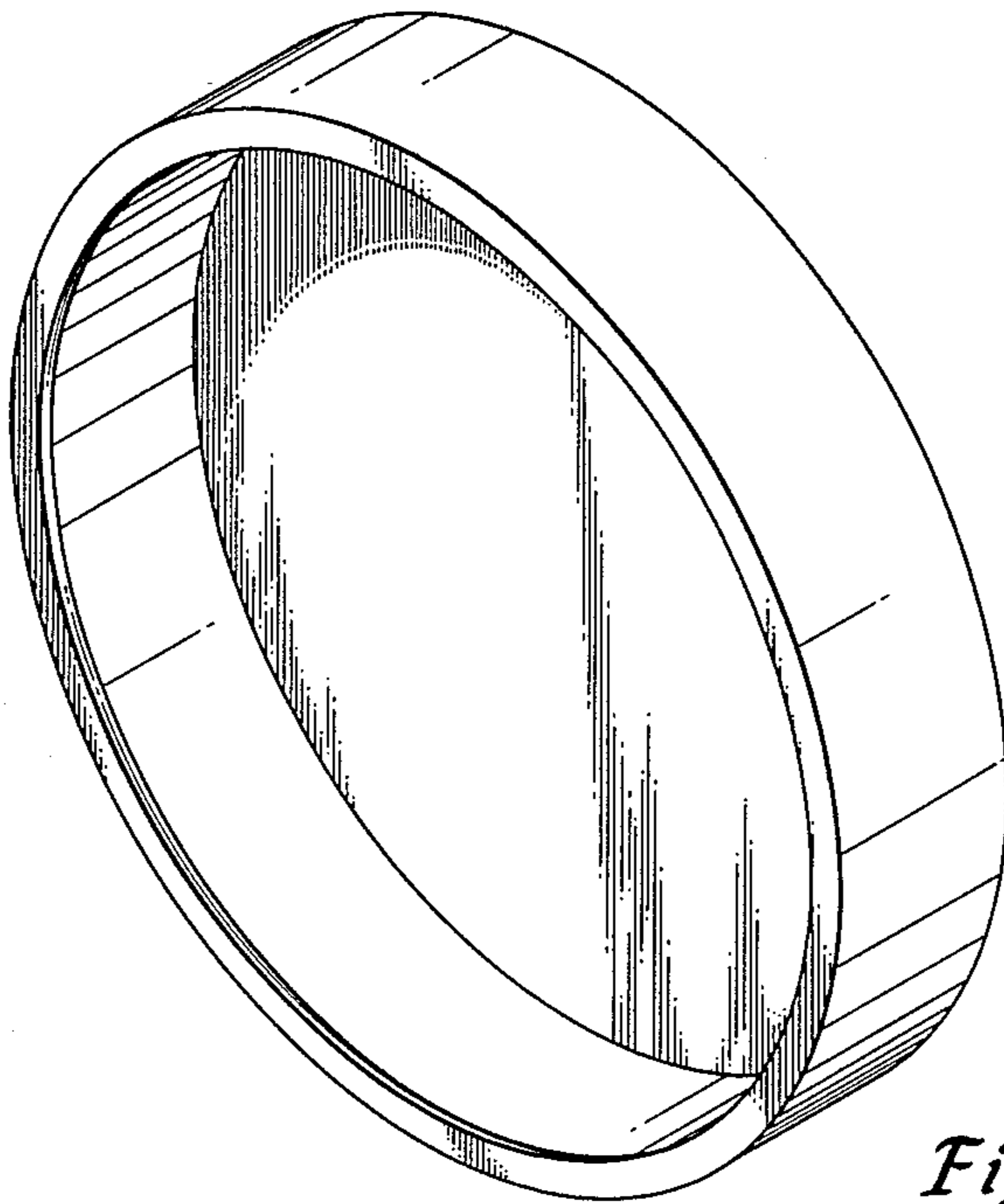


Fig. 2