

[54] UTILITY BOX FOR A PICKUP TRUCK

[57] CLAIM

[76] Inventor: Charles J. Sauber, 10 N. Sauber Rd., Virgil, Ill. 60182

The ornamental design for a utility box for a pickup truck, as shown and described.

[**] Term: 14 Years

DESCRIPTION

[21] Appl. No.: 14,919

FIG. 1 is a perspective view of a utility box for a pickup truck showing my new design;

[22] Filed: Feb. 13, 1987

FIG. 2 is a perspective view thereof with the lid in open condition;

[52] U.S. Cl. D12/157

FIG. 3 is an end elevation view thereof, the opposite end being a mirror image of that shown;

[58] Field of Search D12/157; D3/40, 30.1, D3/74; 296/37.6; 224/42.11, 42.42, 311, 273

FIG. 4 is a front elevation view thereof;

FIG. 5 is a top plan view thereof;

FIG. 6 is a rear elevation view thereof;

[56] References Cited

U.S. PATENT DOCUMENTS

- D. 261,499 10/1981 Sauber D12/157
- D. 294,816 3/1988 Hoyt D12/157
- D. 294,935 3/1988 Grossman D12/157

FIG. 7 is an end elevation view of a utility box for a pickup truck showing a second embodiment of my new design, the opposite end being a mirror image of that shown;

FIG. 8 is a front elevation view of FIG. 7; and

FIG. 9 is a rear elevation view of FIG. 7.

The top of the second embodiment of the utility box is identical to that of the first embodiment thereof shown in FIG. 5 and the bottom of the two embodiments of the utility box is plain and unornamented.

Primary Examiner—James M. Gandy
Attorney, Agent, or Firm—Leydig, Voit & Mayer

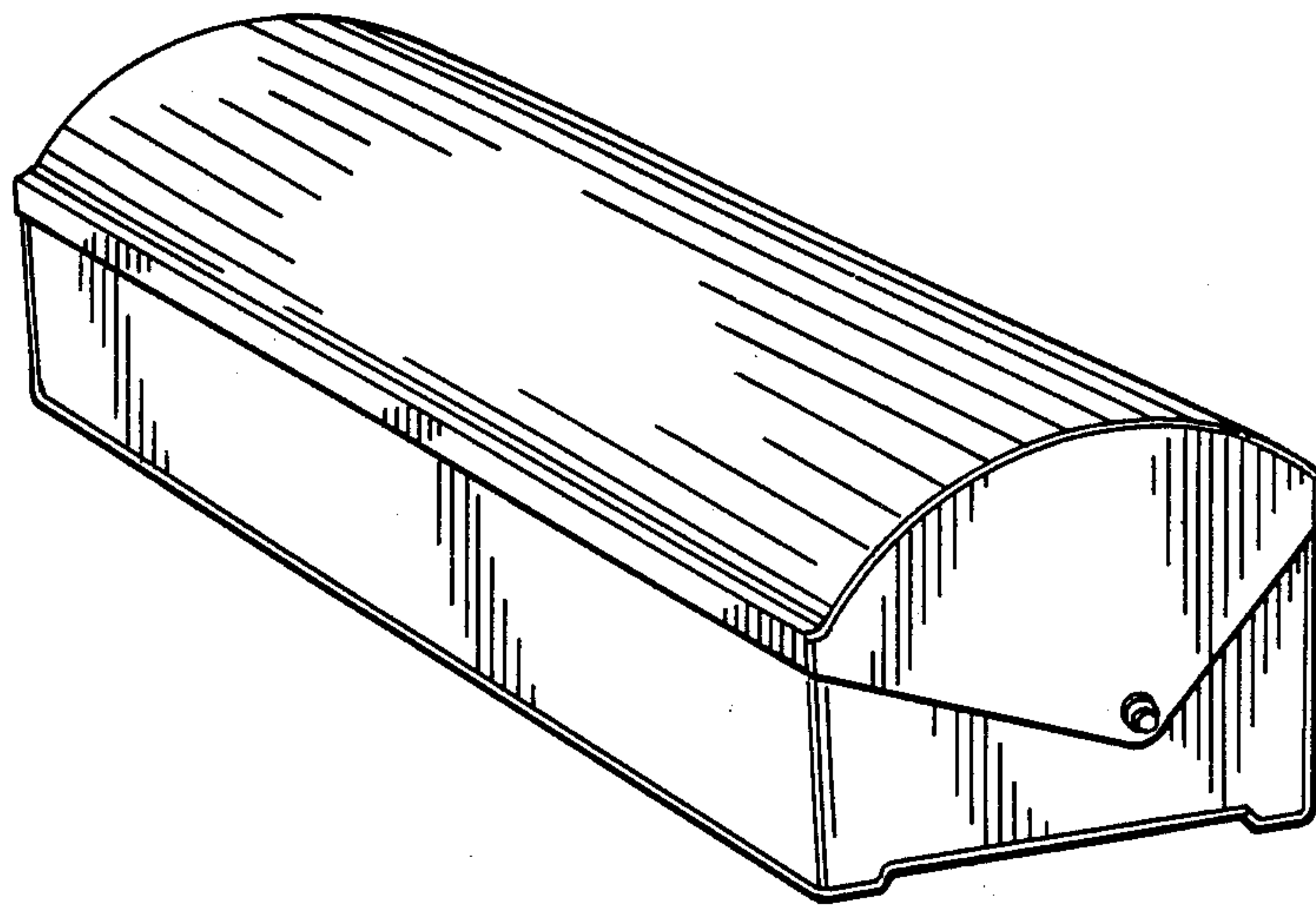


FIG. 1.

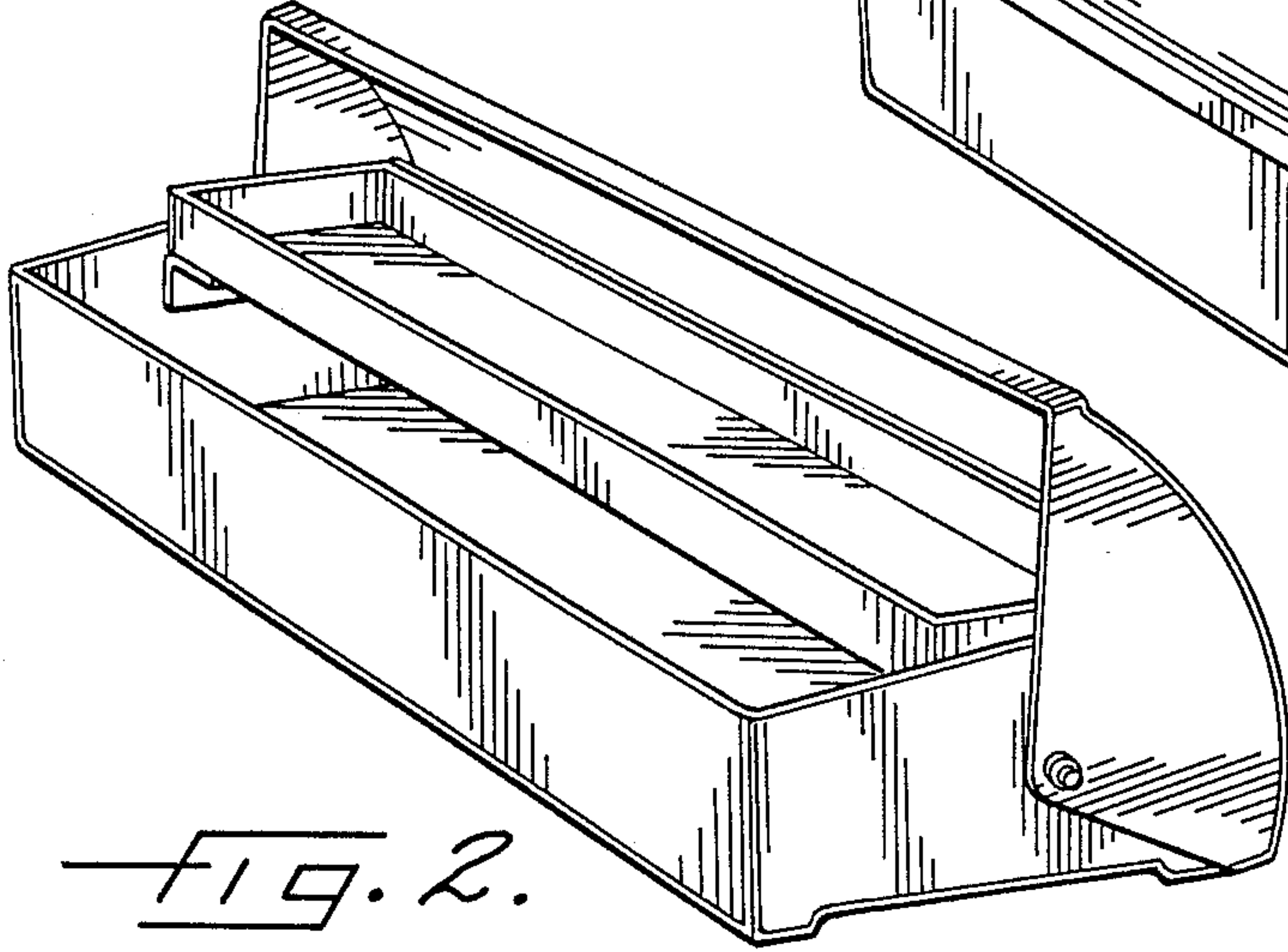
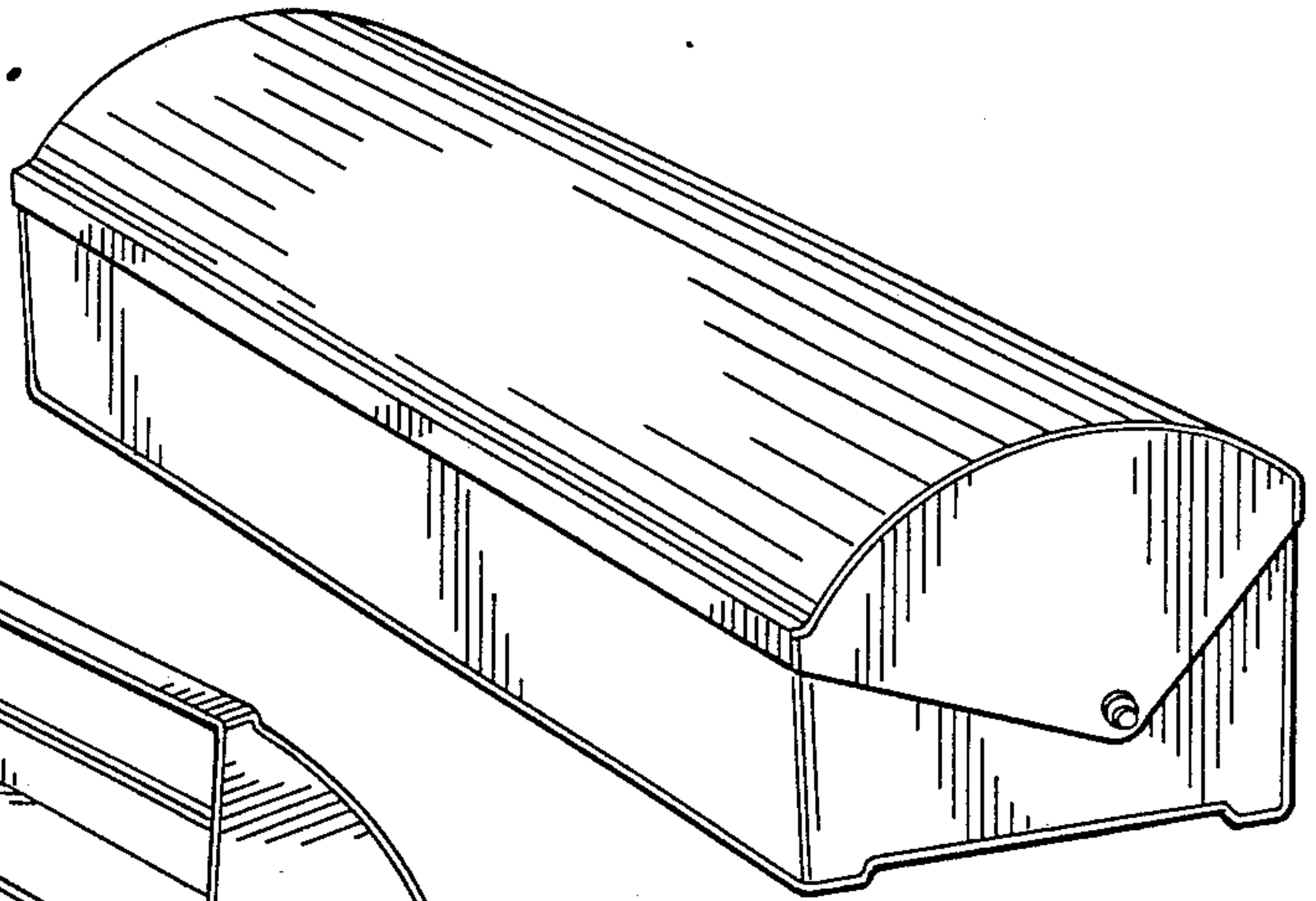


FIG. 2.

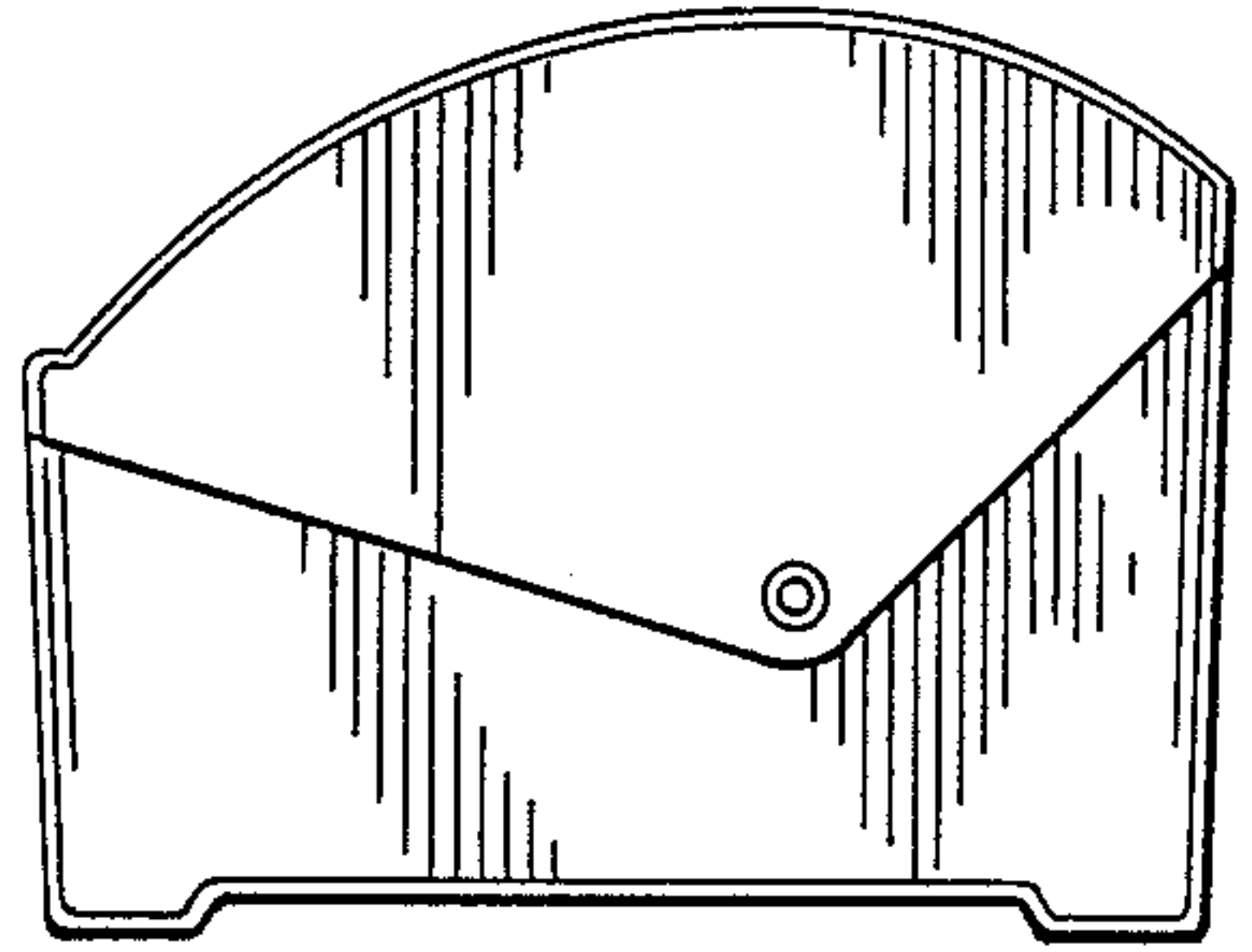


FIG. 3.

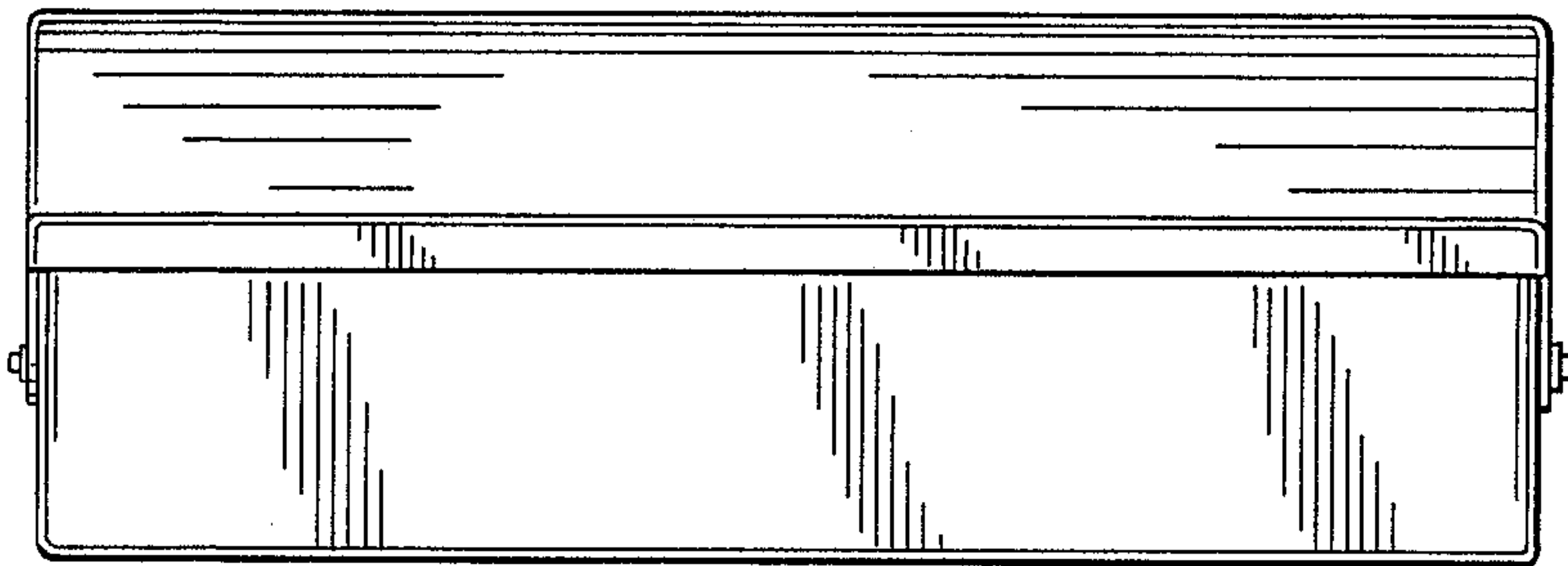


FIG. 4.

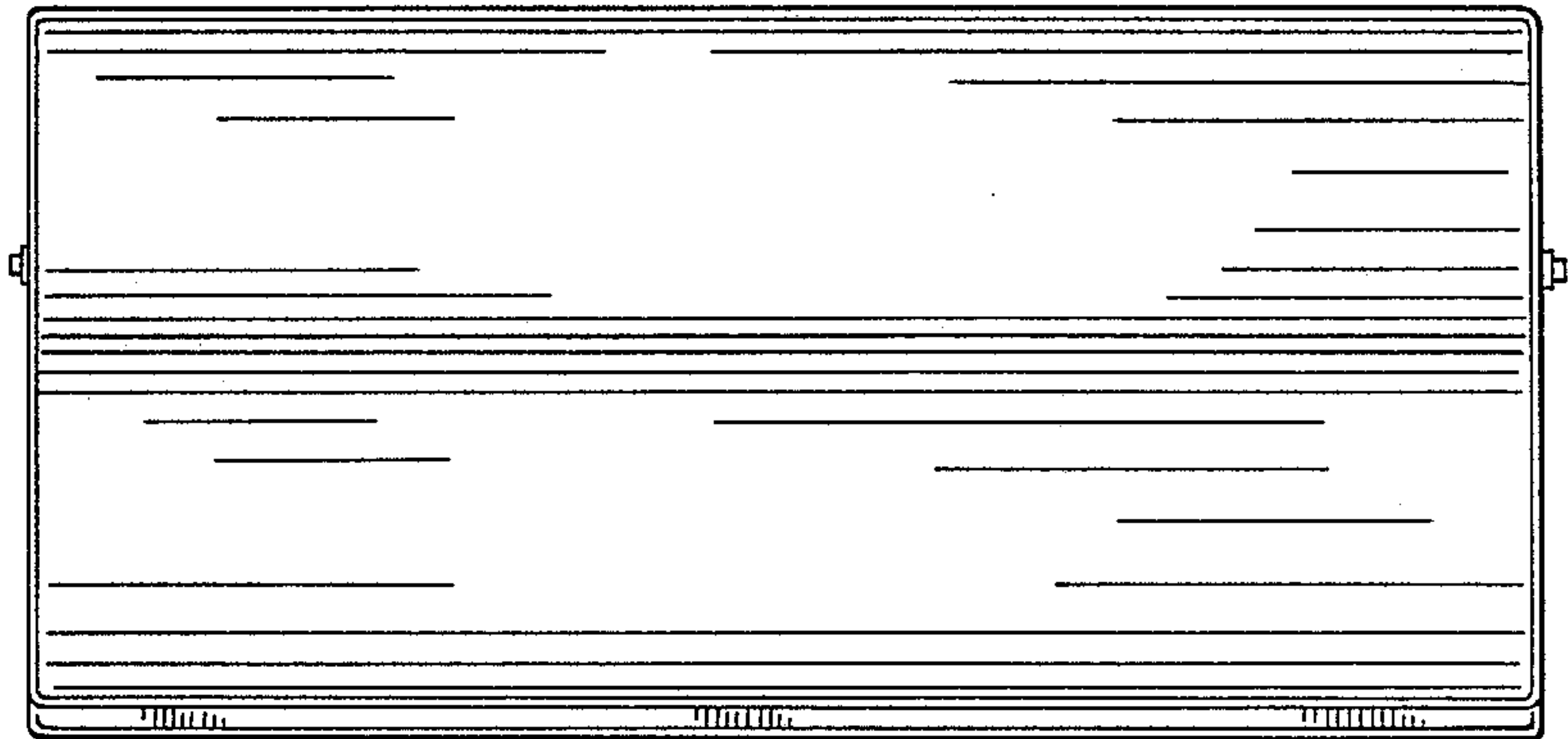


FIG. 5.

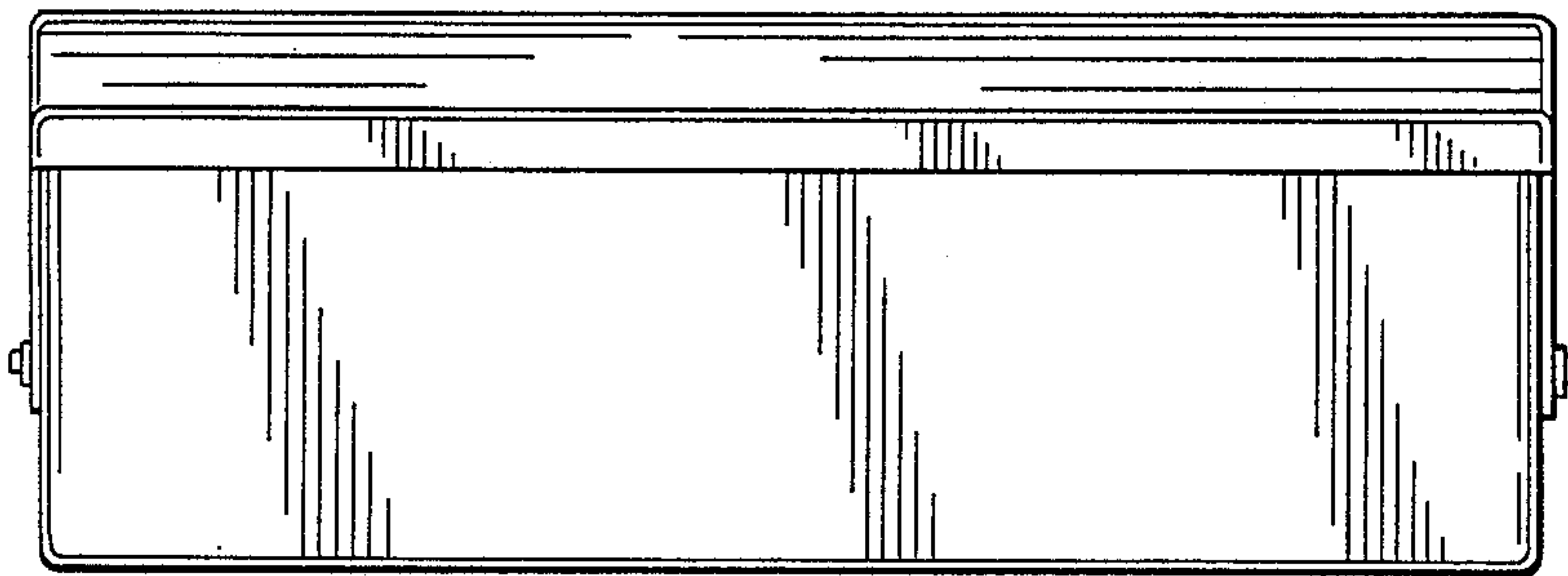


FIG. 6.

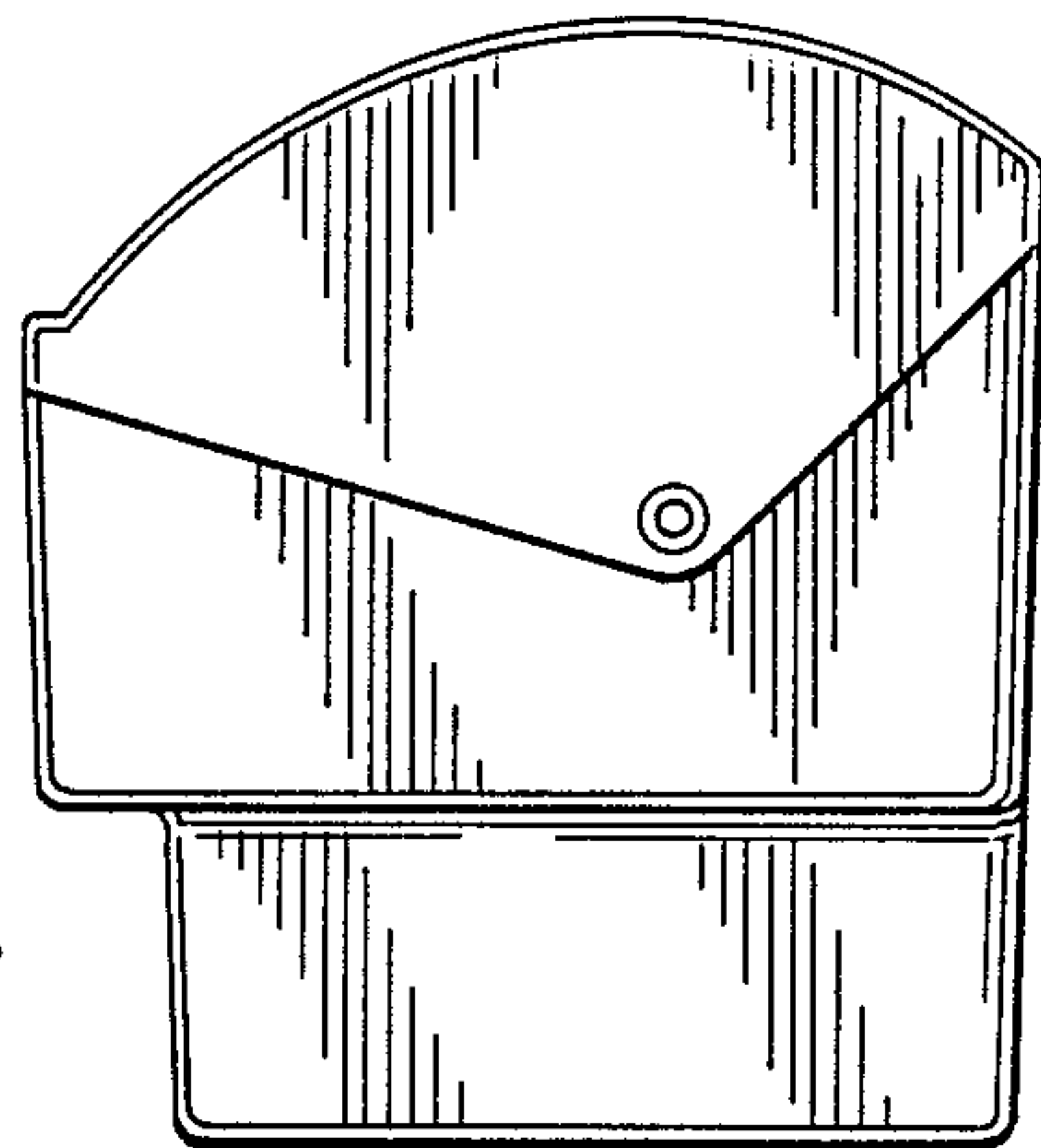


FIG. 7.

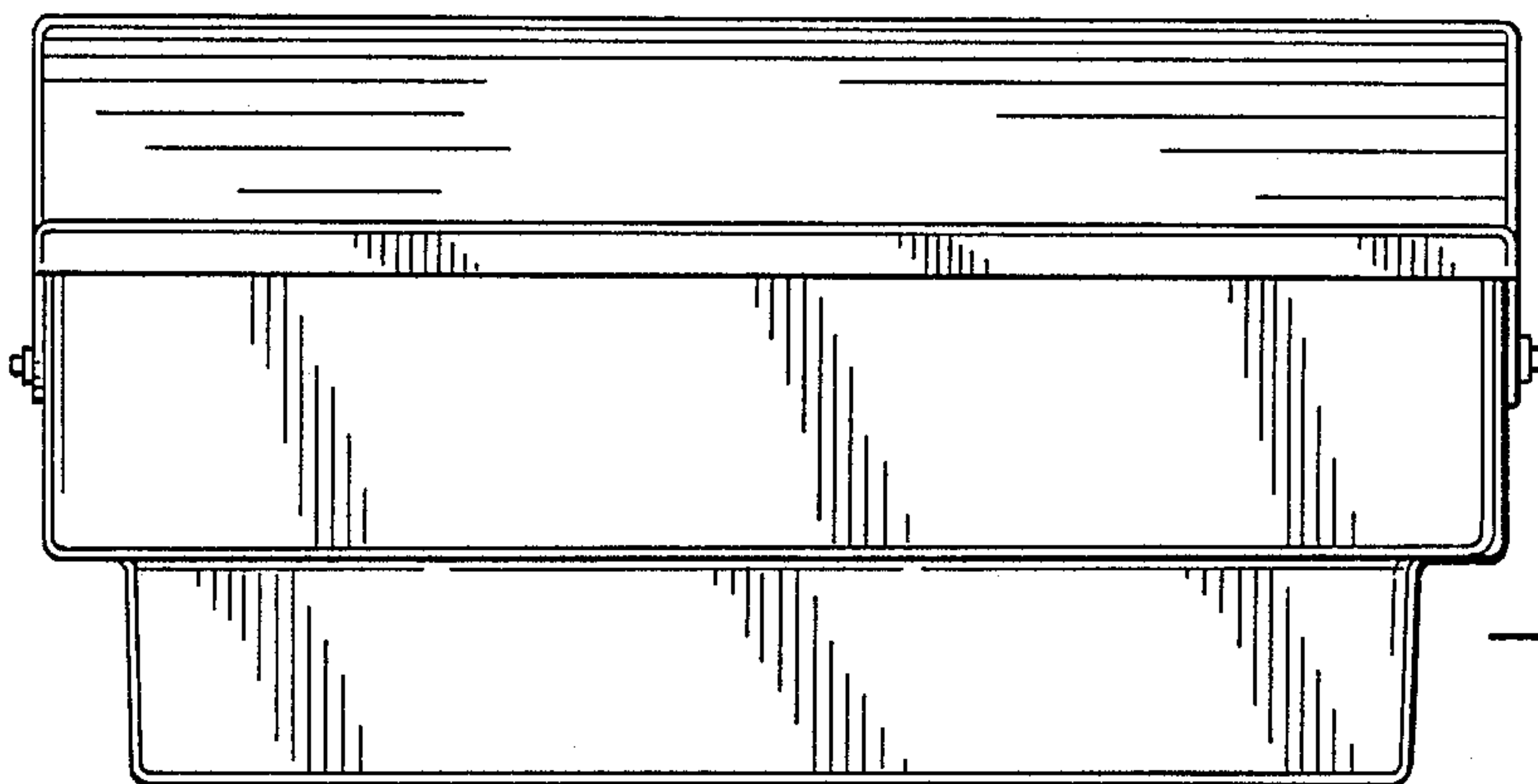


FIG. 8.

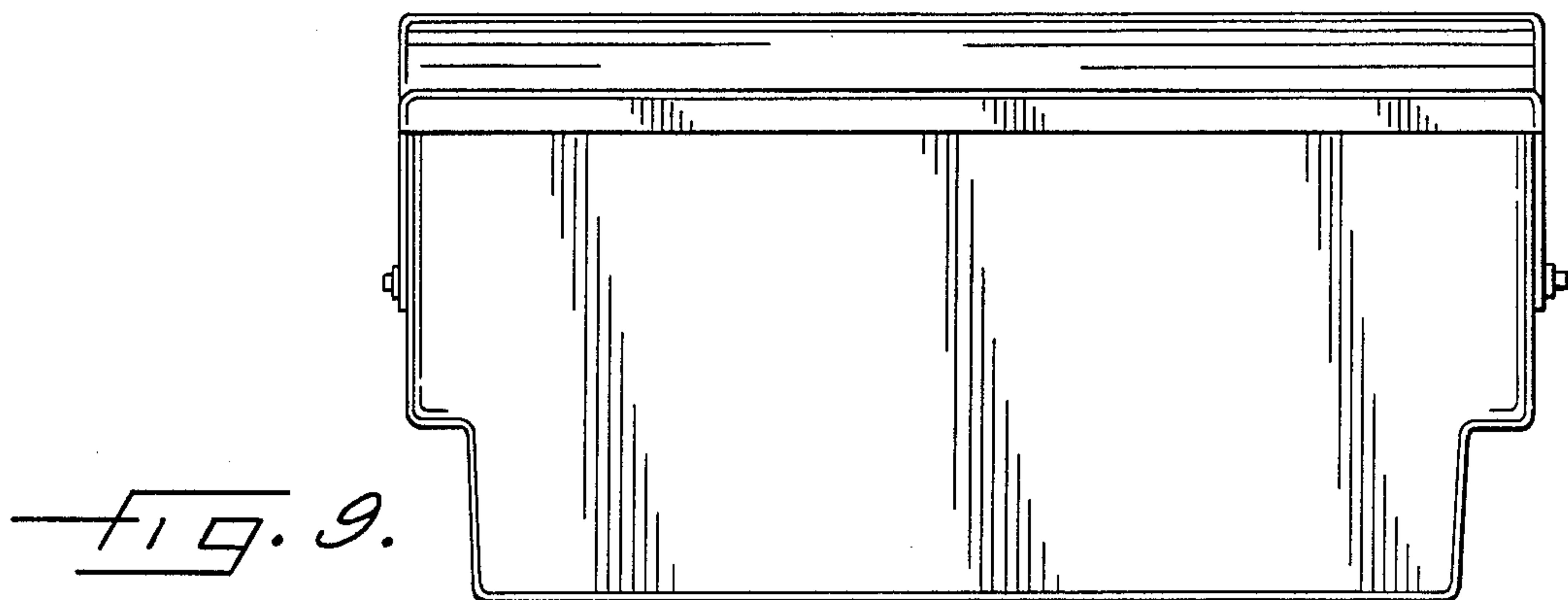


FIG. 9.