

United States Patent [19]

Levine

[11] **Patent Number: Des. 303,777**

[45] **Date of Patent: ** Oct. 3, 1989**

[54] **BICYCLE FRAME**

[76] **Inventor: Norman Levine, 2205 NW. 30th Pl., Pompano Beach, Fla. 33060**

[**] **Term: 14 Years**

[21] **Appl. No.: 3,915**

[22] **Filed: Jan. 16, 1987**

[52] **U.S. Cl. D12/111**

[58] **Field of Search D12/111; 280/281 R, 280/281 L, 281 P, 281 W**

[56] **References Cited**

U.S. PATENT DOCUMENTS

D. 166,386 4/1952 Gilardi D12/111

D. 206,566 12/1966 Fried D12/111
D. 273,484 4/1984 Herbert D12/111
4,443,023 4/1984 Ishibashi 280/287

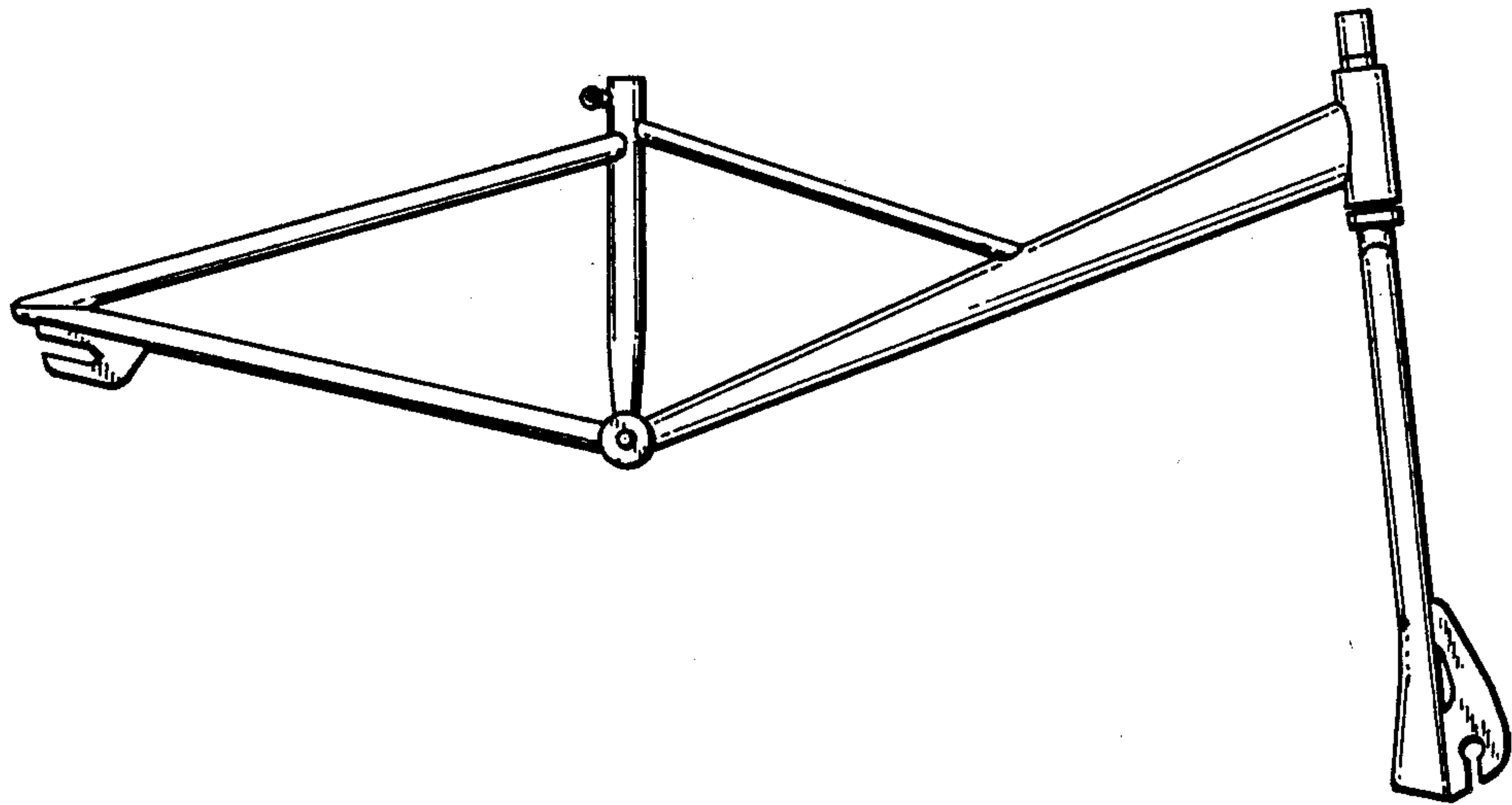
Primary Examiner—James M. Gandy
Attorney, Agent, or Firm—Malin, Haley & McHale

[57] **CLAIM**

The ornamental design for a bicycle frame, as shown.

DESCRIPTION

FIG. 1 is a top plan view of a bicycle frame showing the new design;
FIG. 2 is a right side elevational view thereof;
FIG. 3 is a bottom plan view thereof;
FIG. 4 is rear elevational view thereof;
FIG. 5 is a front elevational view thereof; and
FIG. 6 is a left side elevational view thereof.



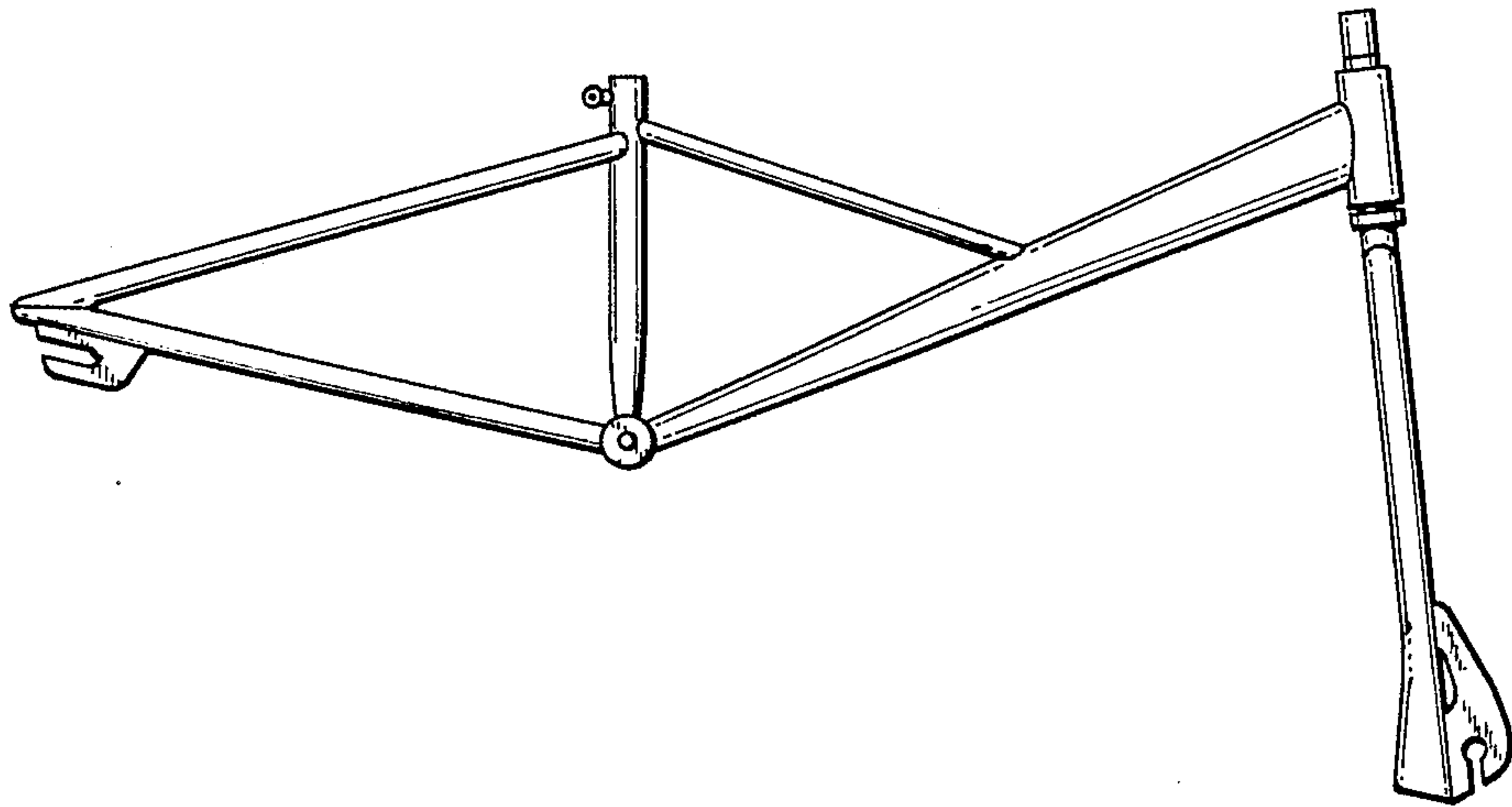


FIG. 2

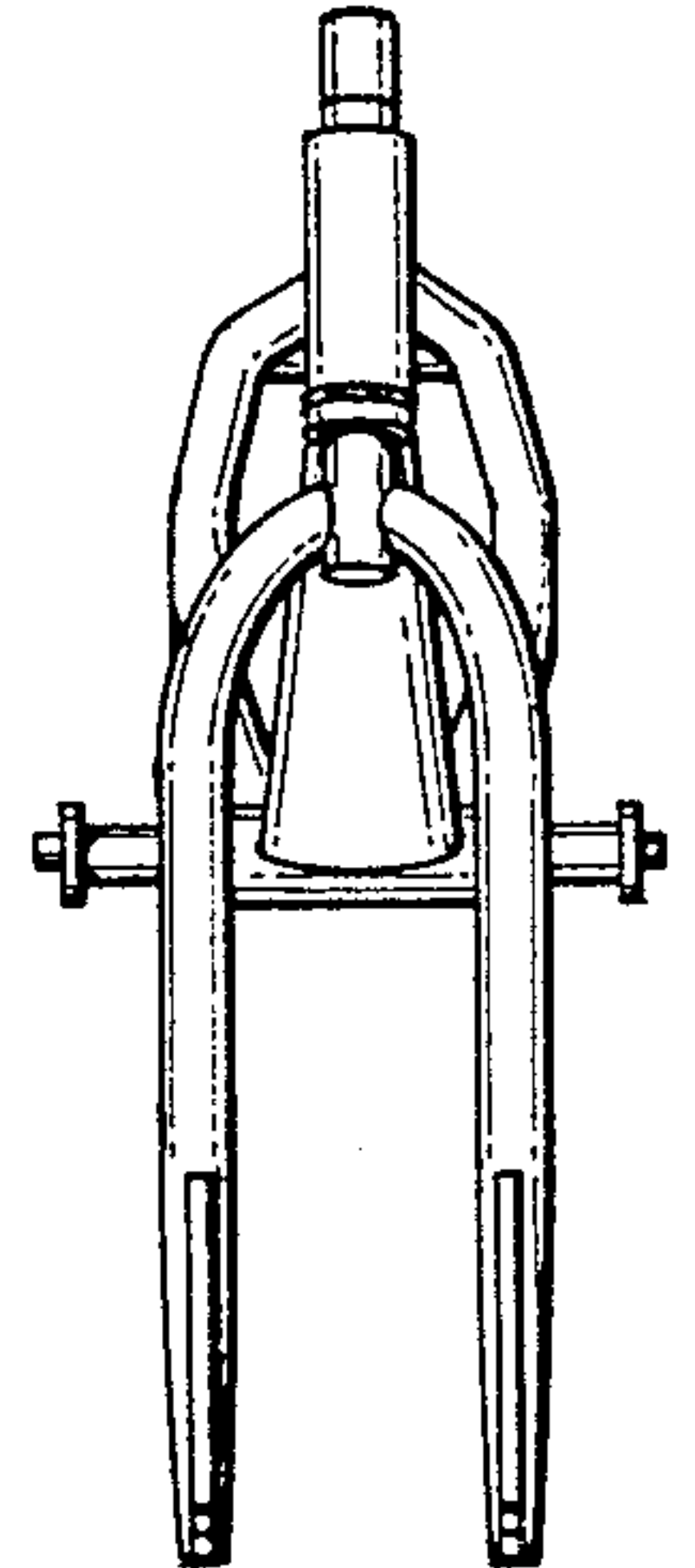


FIG. 5

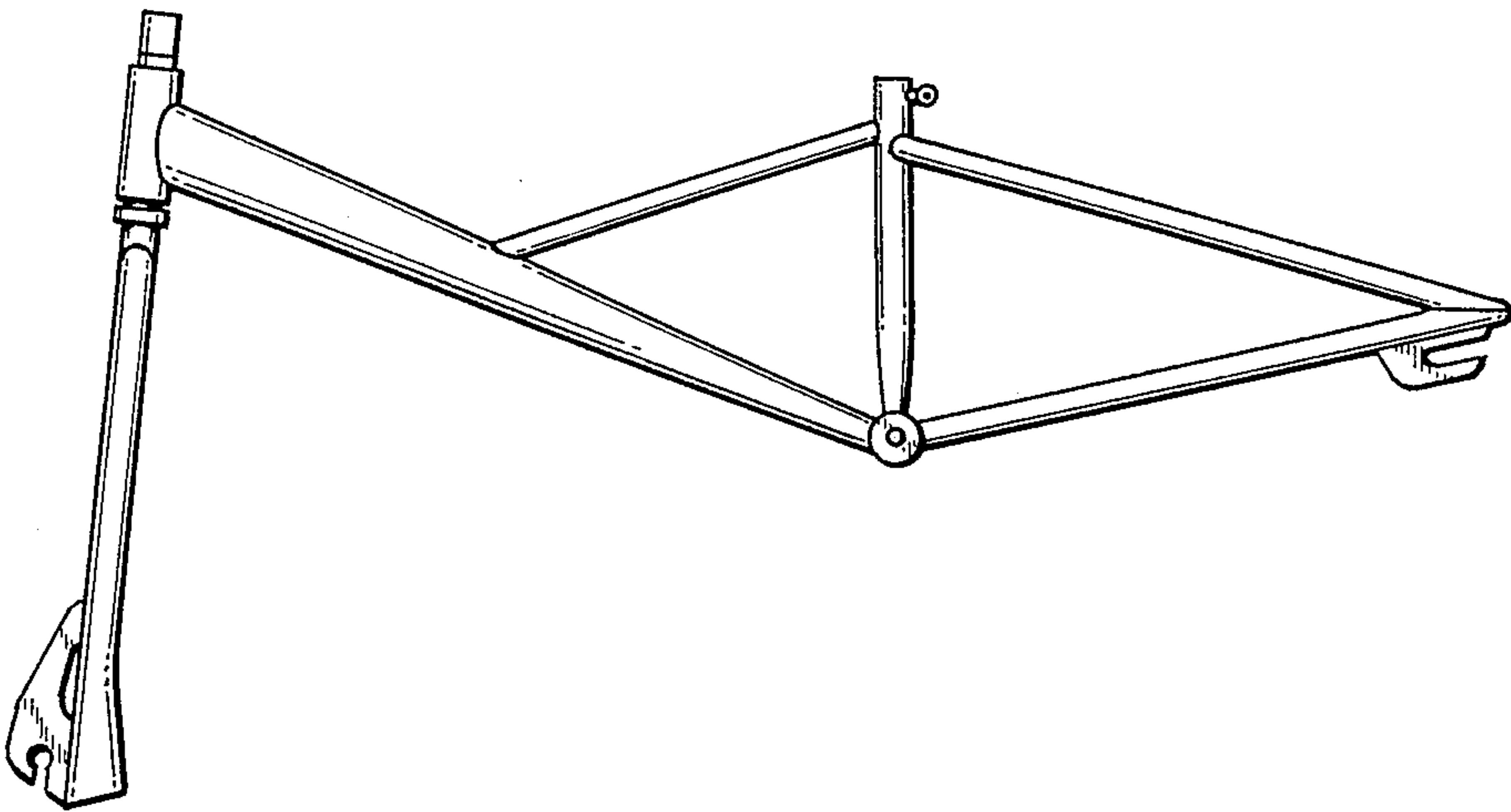


FIG. 6

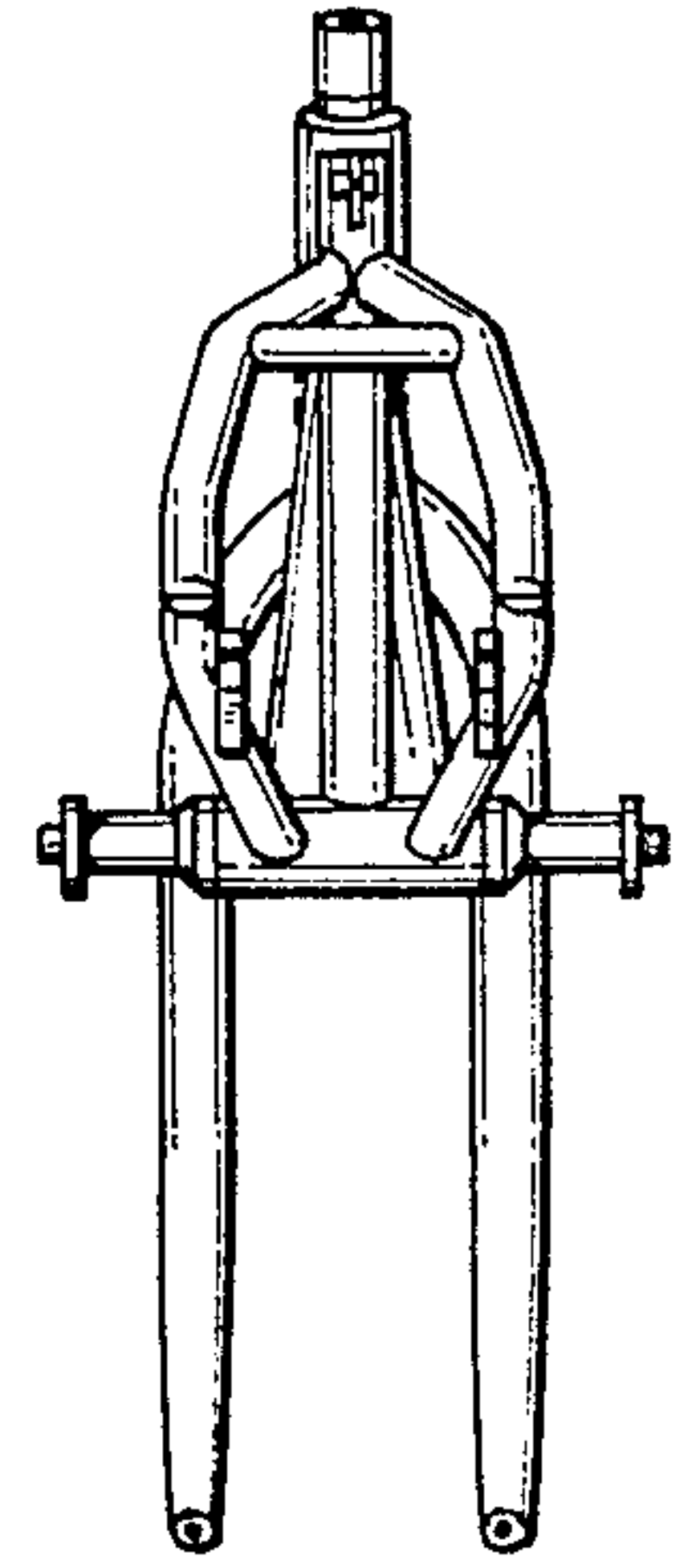


FIG. 4

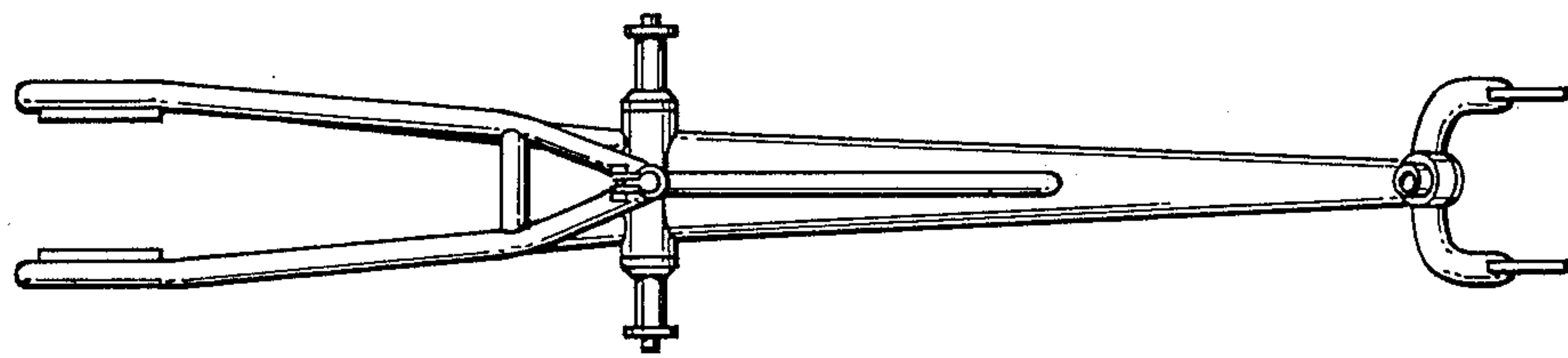


FIG. 1

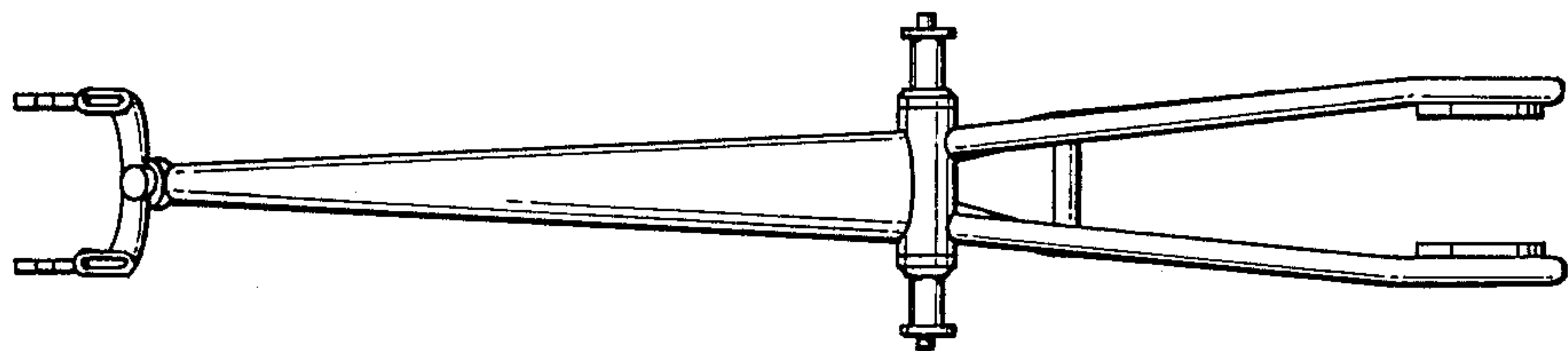


FIG. 3