

United States Patent [19]

Aker

[11] Patent Number: **Des. 303,776**

[45] Date of Patent: **** Oct. 3, 1989**

[54] TOY CAR

[75] Inventor: **Kevin R. Aker, Hudson, Ohio**

[73] Assignee: **The Little Tikes Company, Hudson, Ohio**

[**] Term: **14 Years**

[21] Appl. No.: **27,016**

[22] Filed: **Mar. 17, 1987**

[52] U.S. Cl. **D12/108**

[58] Field of Search **D12/107, 108, 112;**
D21/76, 78; 280/1.11 R, 281 L, 281 P, 281 B,
282; 296/177

[56] **References Cited**

U.S. PATENT DOCUMENTS

D. 200,101 1/1965 Smeaton D12/3
D. 218,630 9/1970 Steele D12/108

D. 234,923 4/1975 Hepp et al. D12/107
D. 272,898 3/1984 Kuchenbecker et al. D12/112
2,670,970 3/1954 Simonson et al. 280/1.11 R

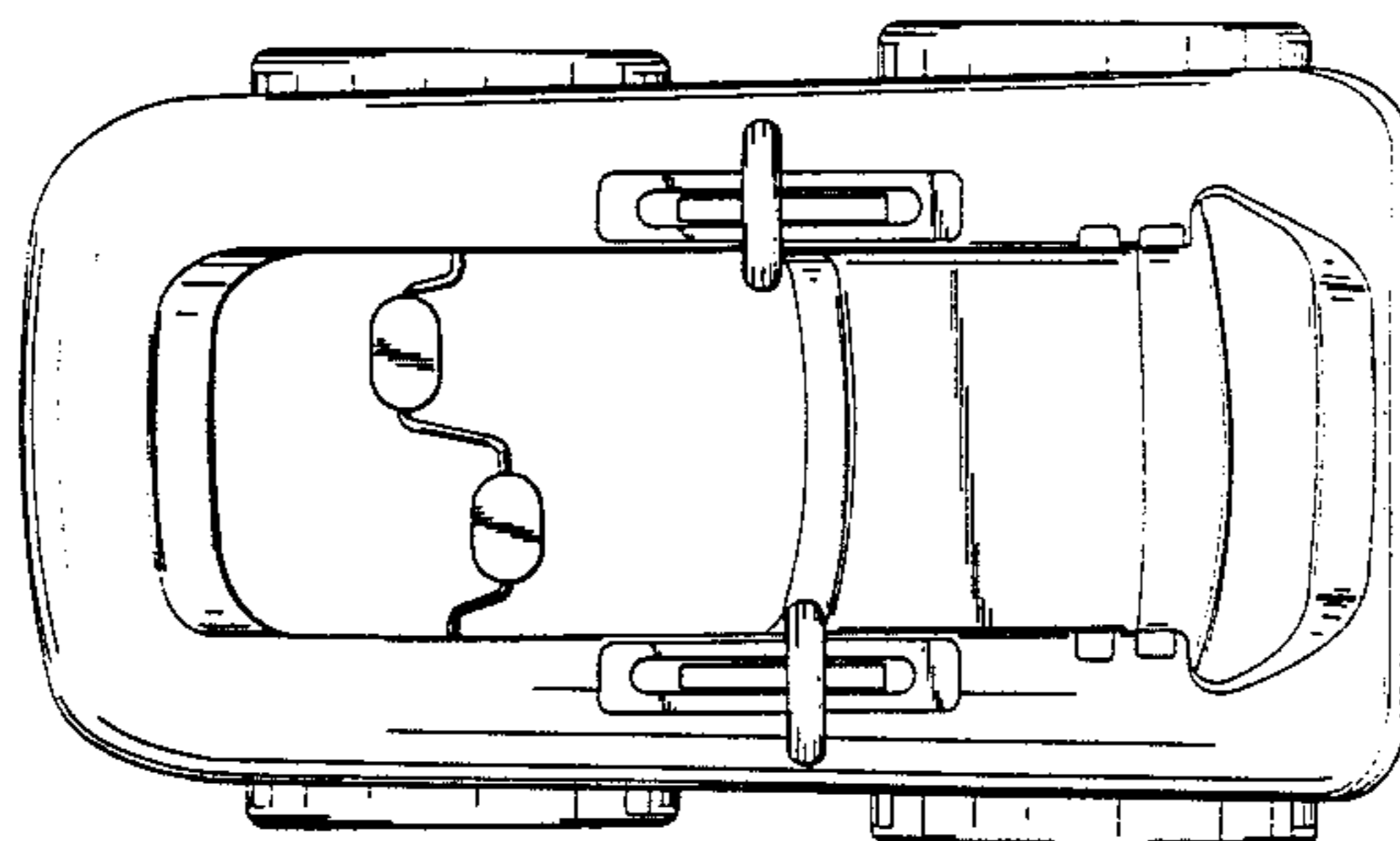
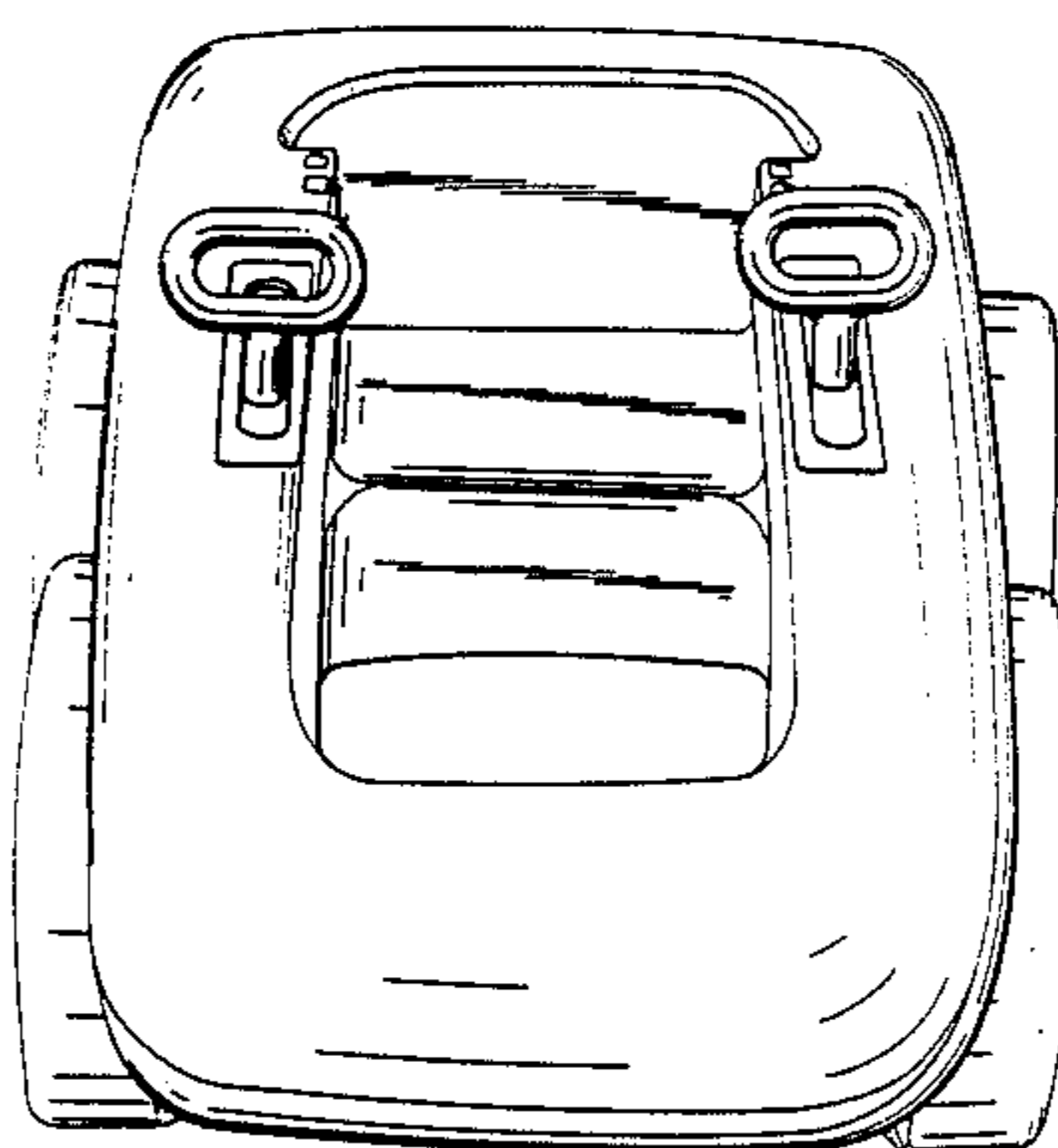
Primary Examiner—James M. Gandy
Attorney, Agent, or Firm—Richard B. O'Planick

[57] **CLAIM**

The ornamental design for an toy car, as shown and described.

DESCRIPTION

FIG. 1 is a front perspective view of a toy car embodying my new design;
FIG. 2 is a top plan view thereof.
FIG. 3 is a front elevation view thereof;
FIG. 4 is a rear elevation view thereof;
FIG. 5 is a side elevation view thereof, the opposite side being a mirror image of that shown;
FIG. 6 is a bottom plan view thereof.



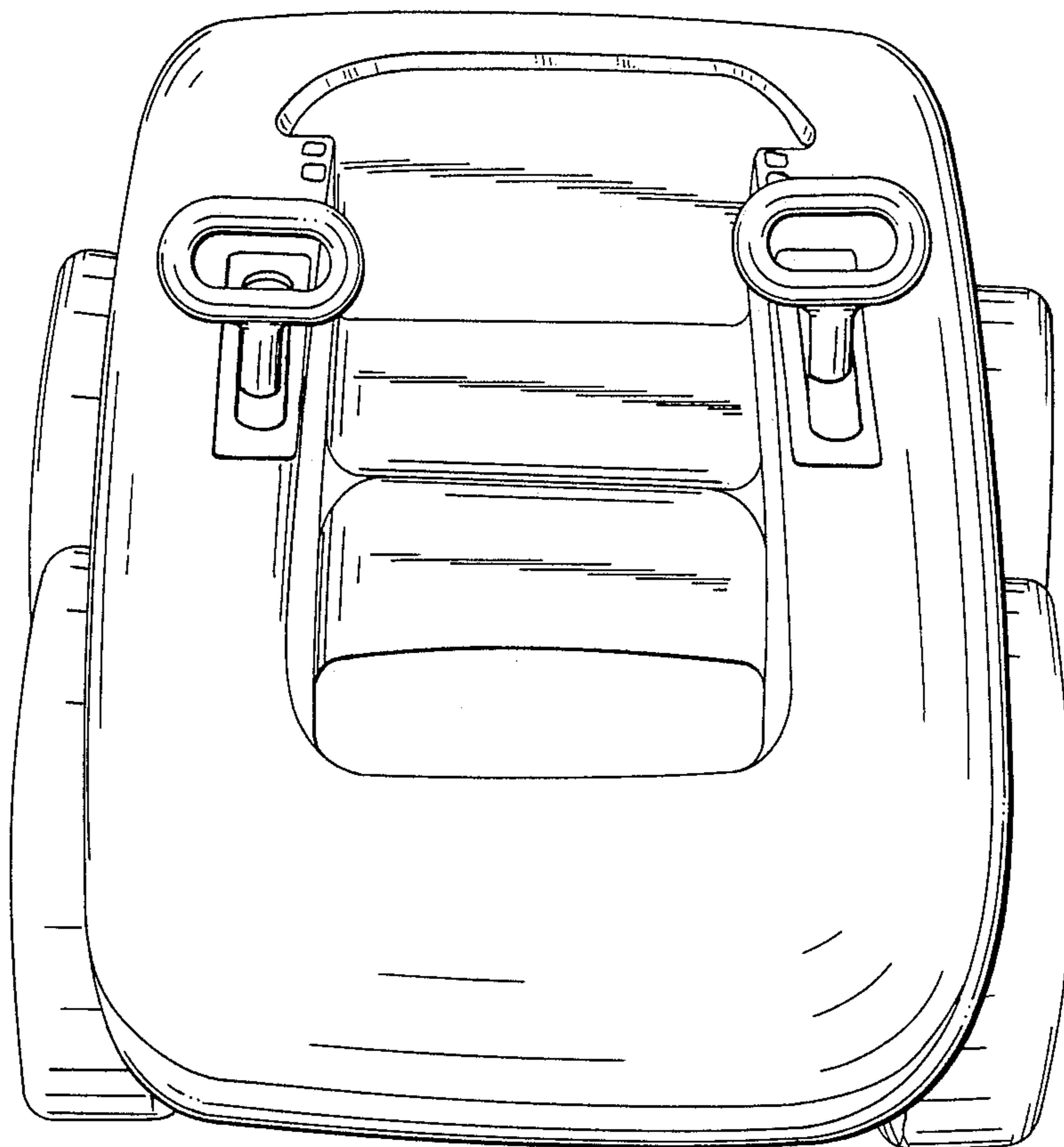


Fig. 1

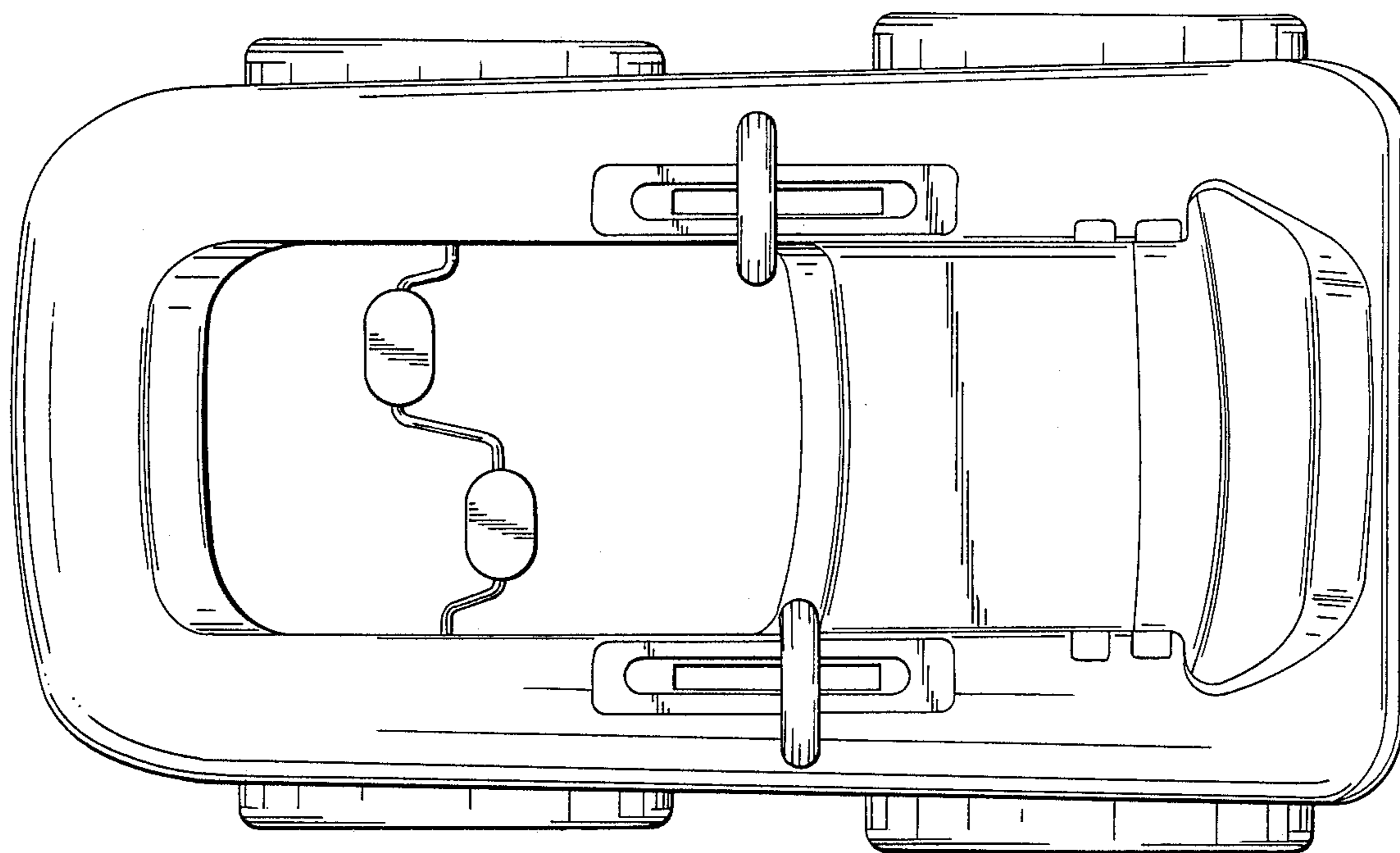


Fig. 2

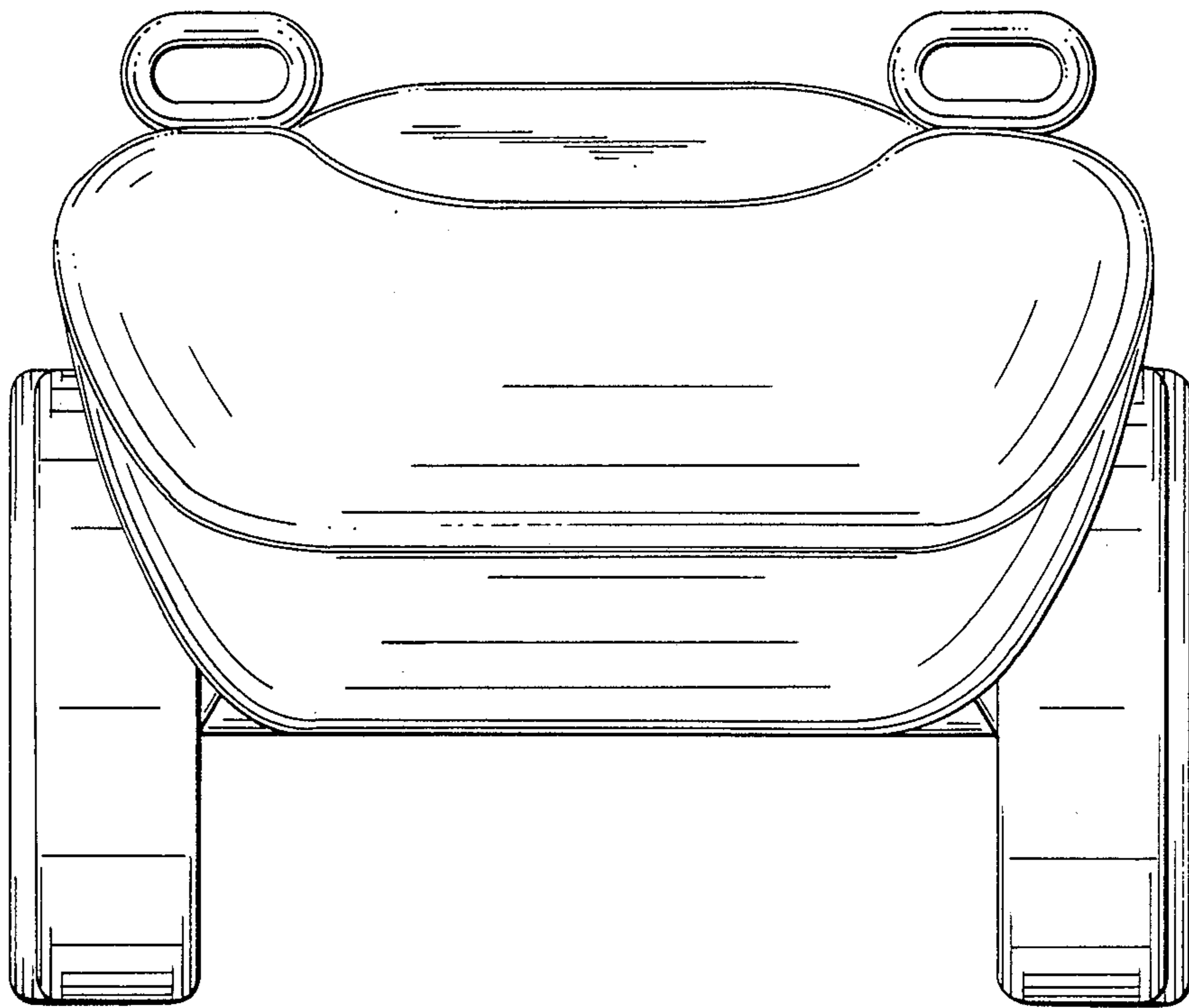


Fig. 3

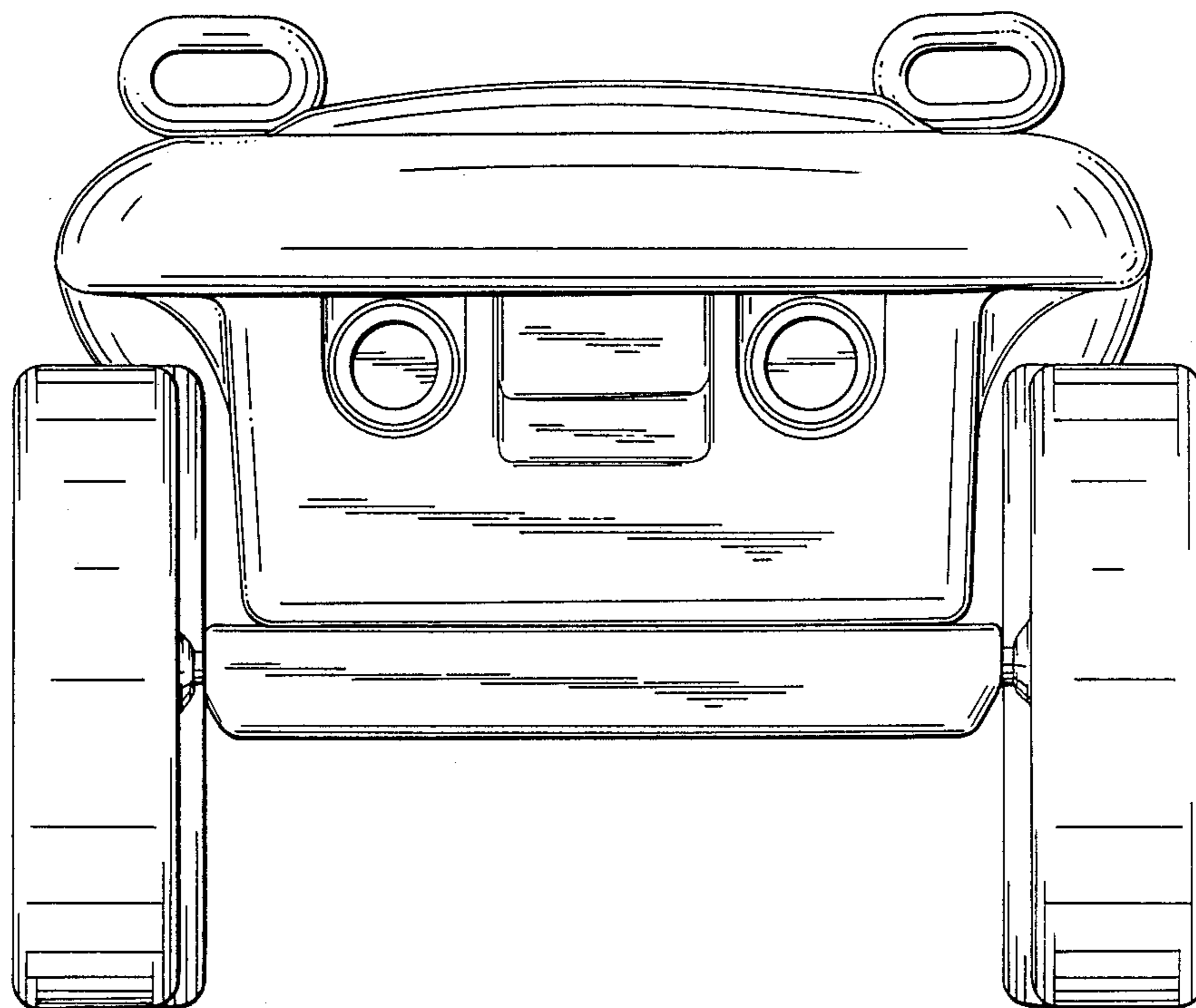


Fig. 4

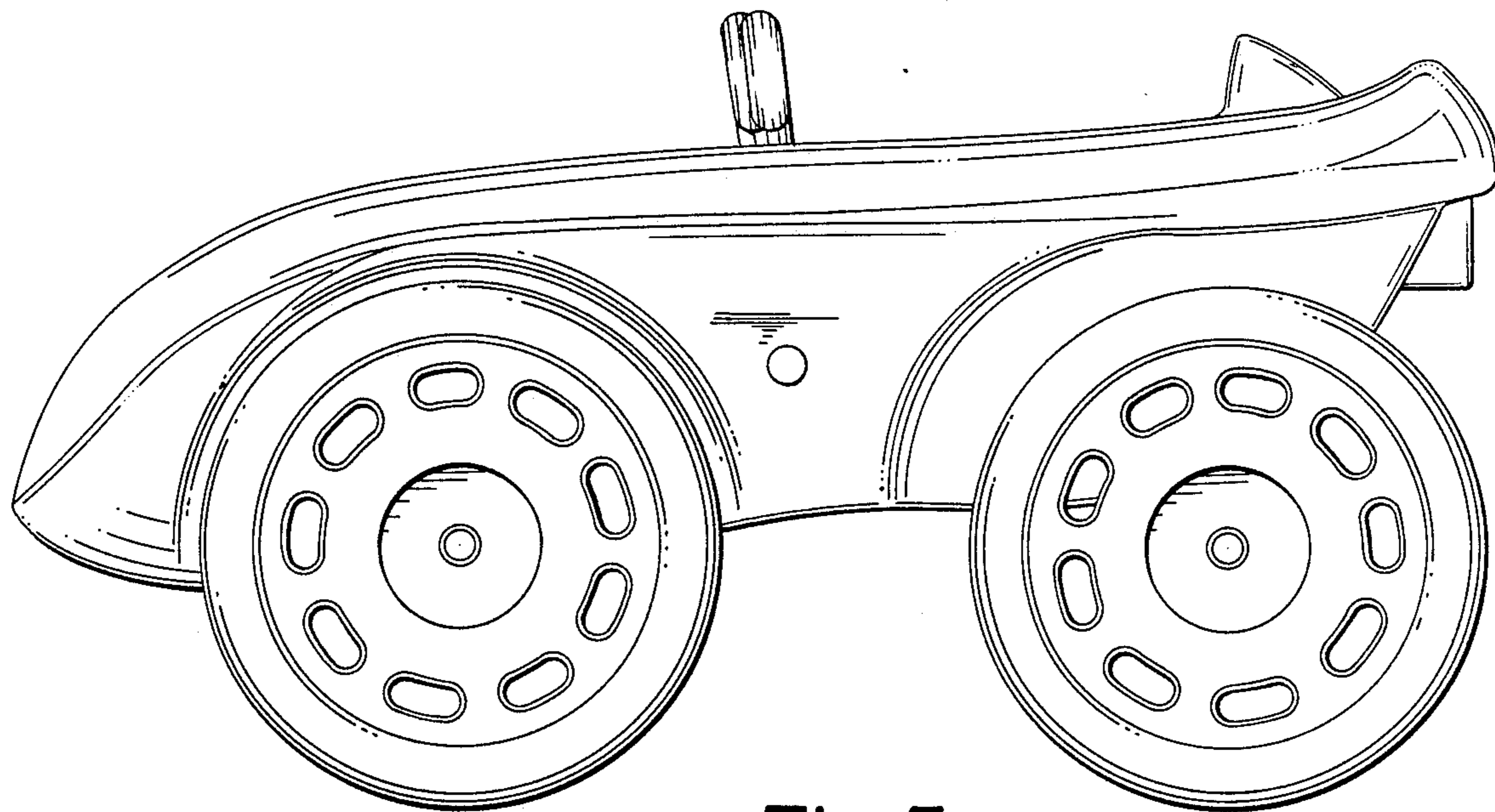


Fig. 5

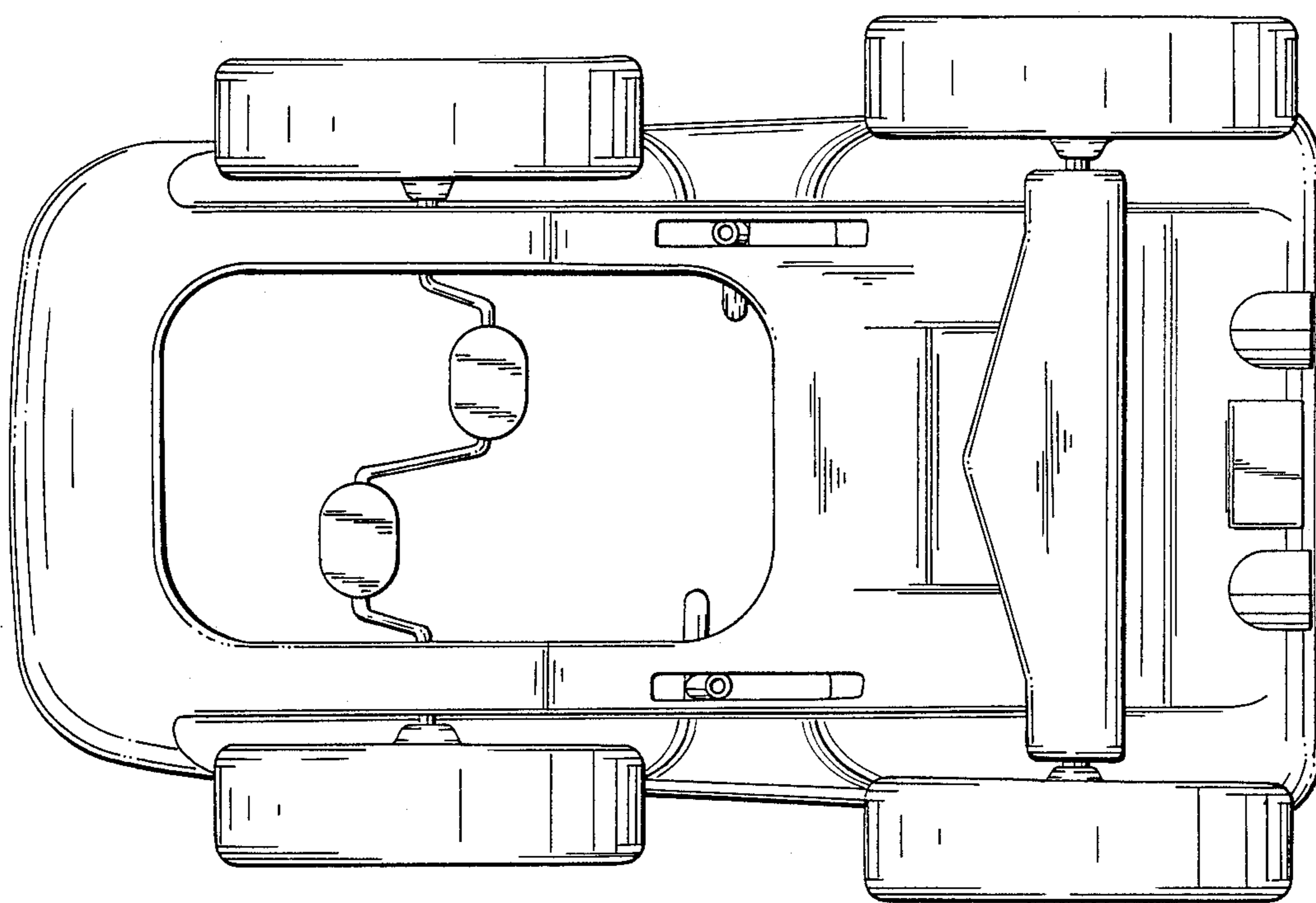


Fig. 6