

[54] FOOD CONTAINER

[75] Inventor: Kurt B. Delbanco, New York, N.Y.

[73] Assignee: Delbanco Arts, New York, N.Y.

[\*\*] Term: 14 Years

[21] Appl. No.: 919,899

[22] Filed: Oct. 16, 1986

[52] U.S. Cl. .... D9/430

[58] Field of Search ..... D9/423, 425, 430, 431;  
206/551, 45.15, 314; 229/114, 115, 2.5, 162,  
DIG. 11, DIG. 13; 220/337

3,623,650 11/1971 Watts ..... 229/DIG. 11  
4,018,335 4/1977 Jacob et al. .... 229/115  
4,151,909 5/1979 Markov ..... 206/314

Primary Examiner—Bernard Ansher  
Assistant Examiner—Prabhakar Deshmukh  
Attorney, Agent, or Firm—Darby & Darby

[57] CLAIM

The ornamental design for a food container, as shown and described.

DESCRIPTION

FIG. 1 is a perspective view of a food container showing my new design.

FIG. 2 is a side view as viewed from the direction of the "FIG. 2" arrow in FIG. 1 thereof;

FIG. 3 is another side view as viewed from the direction of the "FIG. 3" arrow in FIG. 1 thereof;

FIG. 4 is a third side view as viewed from the direction of the "FIG. 4" arrow in FIG. 1 thereof;

FIG. 5 is a top plan view thereof; and

FIG. 6 is a bottom plan view thereof.

[56] References Cited

U.S. PATENT DOCUMENTS

D. 57,707	4/1921	Morrison	.....	D9/430
1,842,542	1/1932	Dailey	.....	229/2.5
2,446,629	8/1948	Brown et al.	.....	206/551
2,689,076	9/1954	Jenkins	.....	229/115
3,157,343	11/1964	Kendall	.....	229/115
3,620,403	11/1971	Rump	.....	229/DIG. 13

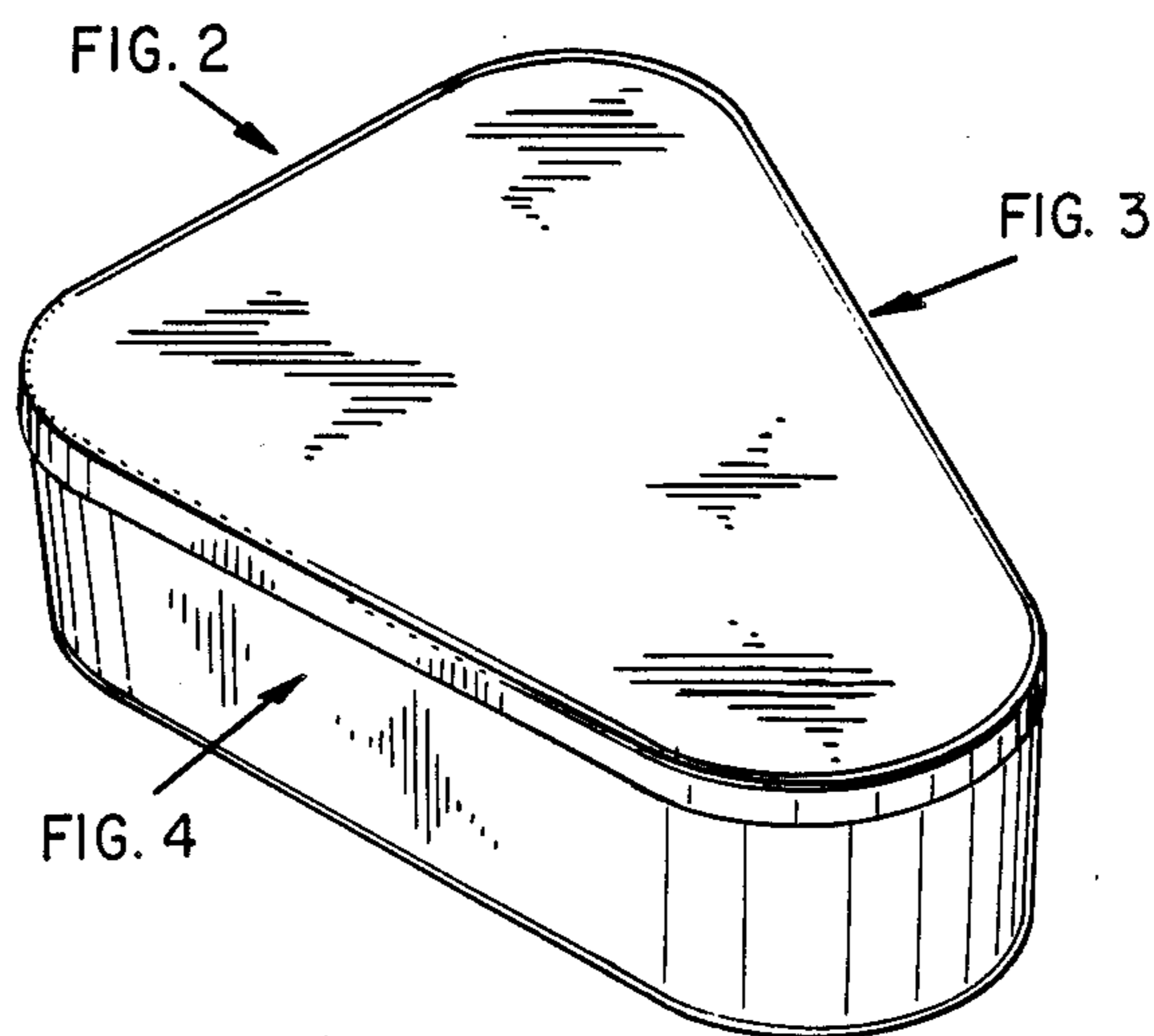


FIG. 1

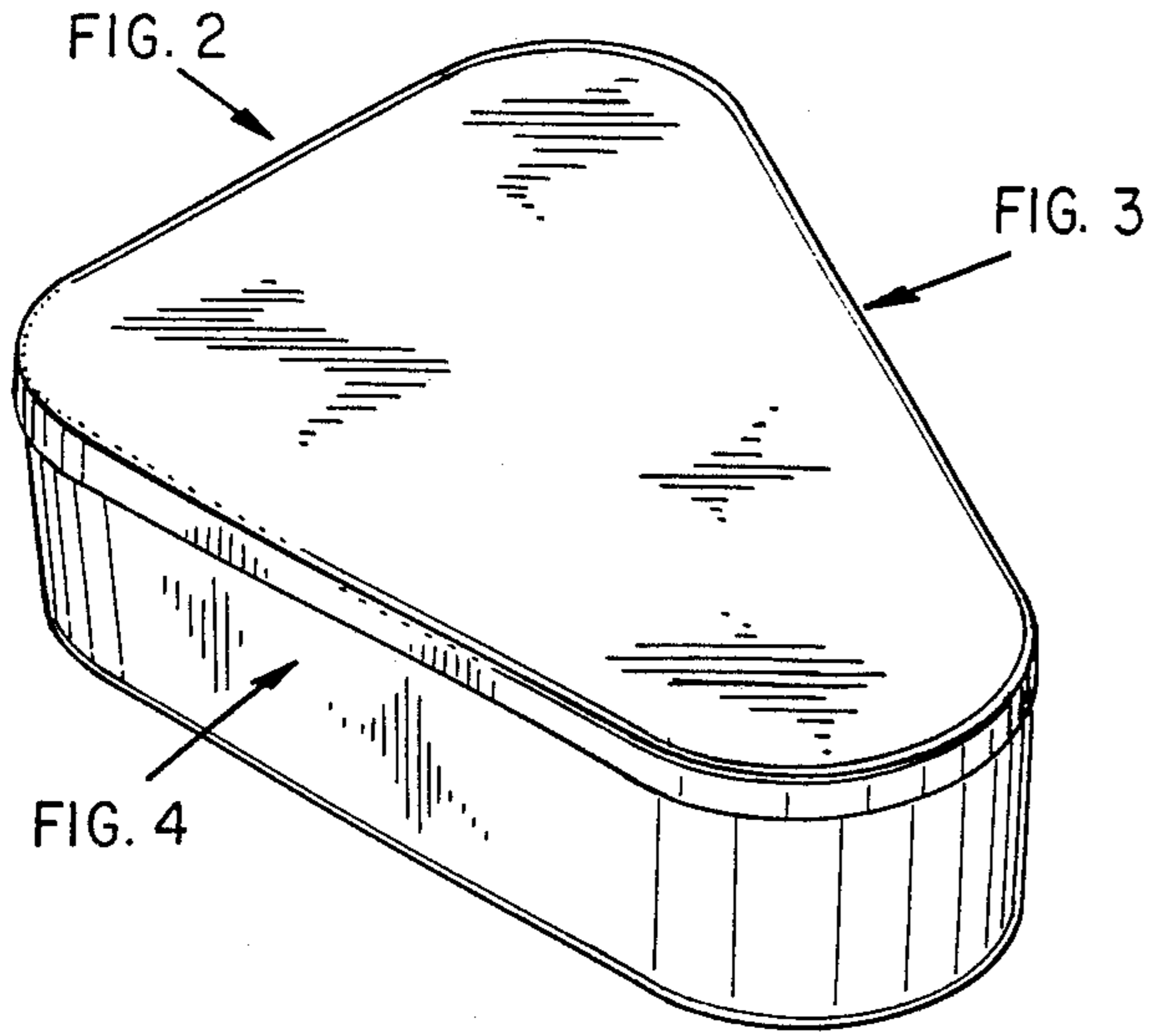


FIG. 2

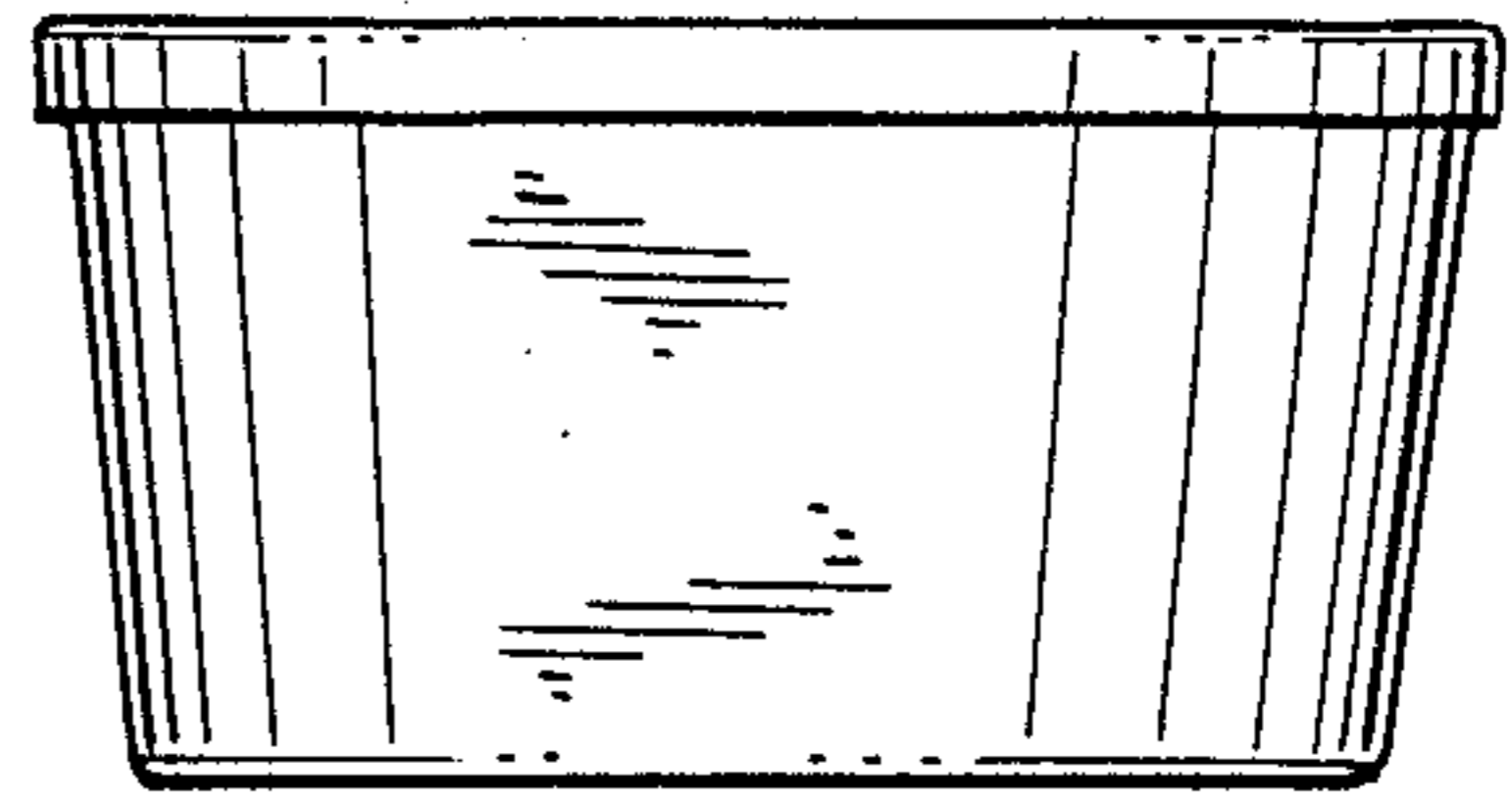


FIG. 3

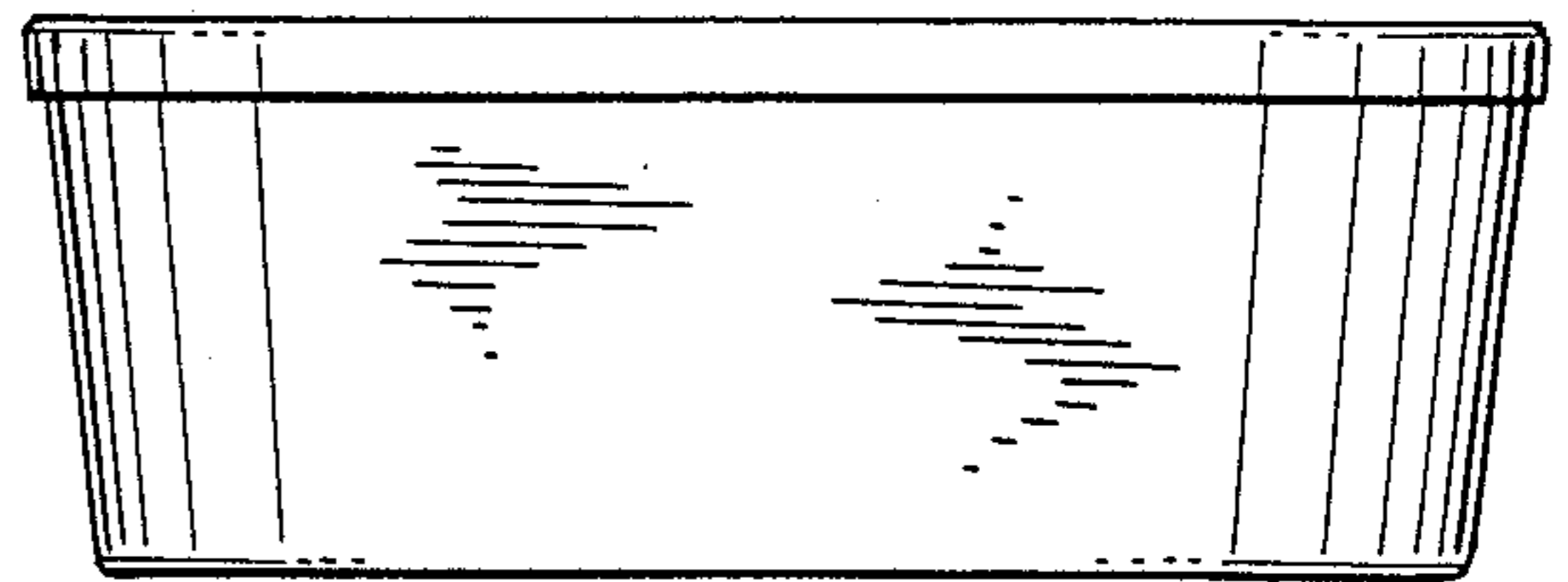


FIG. 4

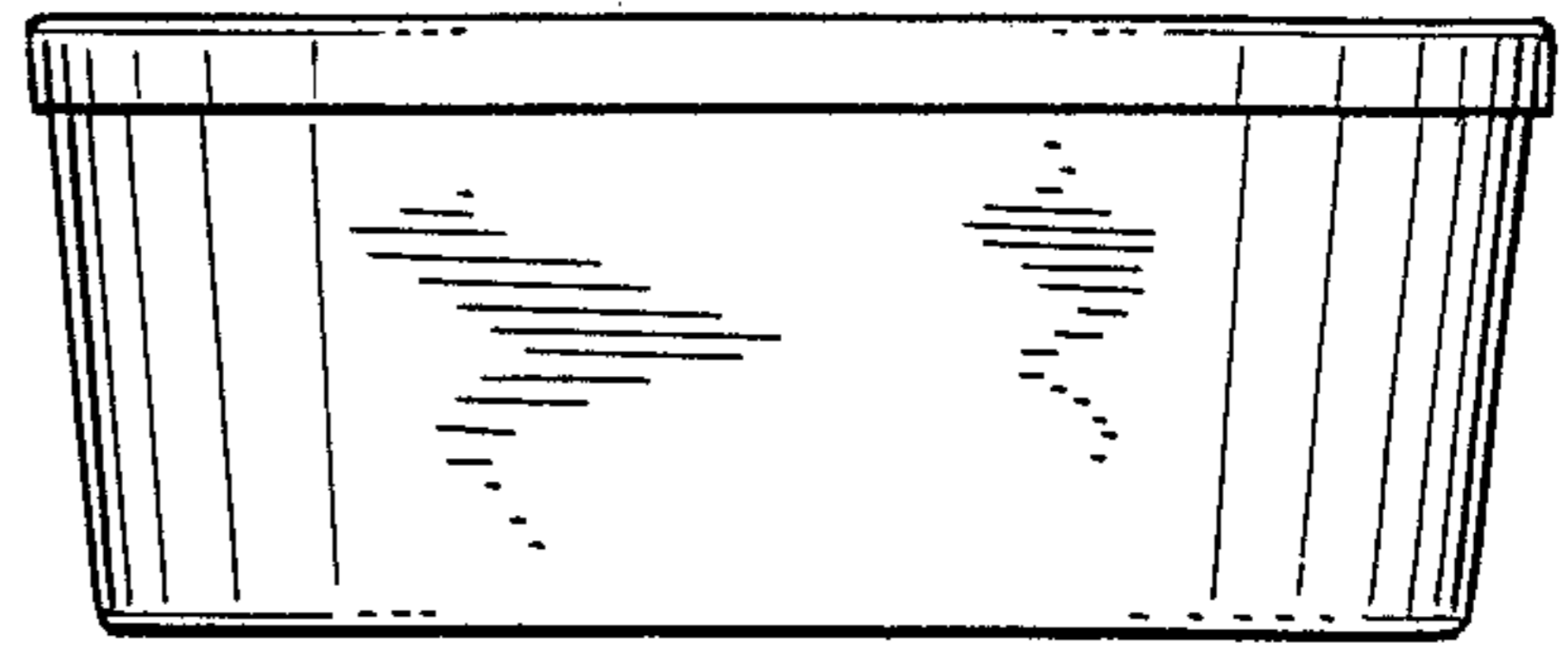


FIG. 5

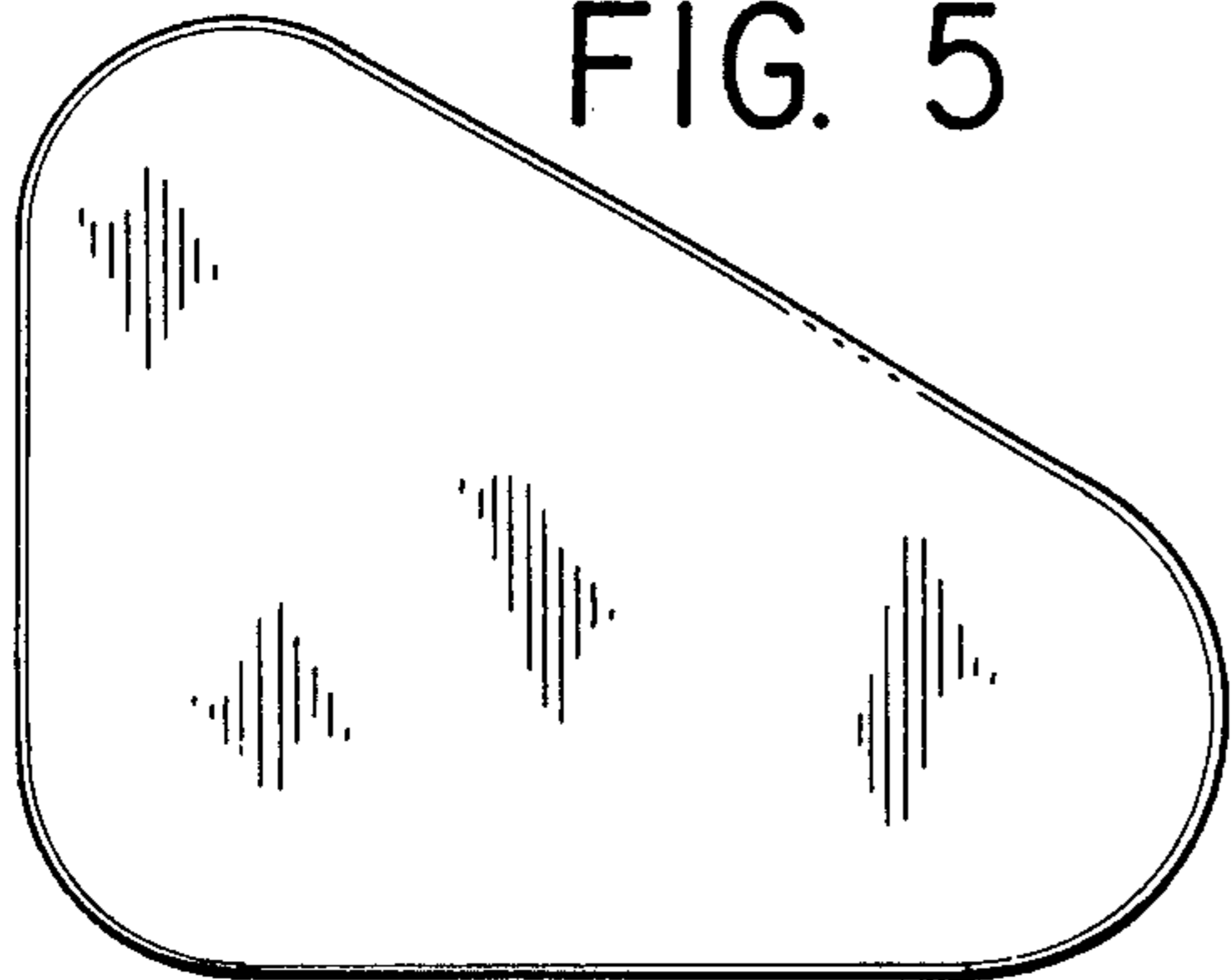


FIG. 6

