

[54] **JEWELRY PRESENTATION CASE**

[76] Inventor: **Myril Kaplan**, 125 E. 144th St.,
Bronx, N.Y. 10451

[**] Term: **14 Years**

[21] Appl. No.: **894,901**

[22] Filed: **Aug. 8, 1986**

[52] U.S. Cl. **D9/423**

[58] Field of Search D9/423, 420, 432, 428,
D9/425, 424, 414, 426; D3/74, 75, 78, 30.1, 34,
39, 51; D28/72-85; 206/566, 44.11, 45.13;
229/48 R, 4 B; 220/71

[56] **References Cited**

U.S. PATENT DOCUMENTS

D. 25,576	6/1896	Fletcher	D9/423
1,752,246	3/1930	Flier	206/566
1,769,247	7/1930	Warner	206/566
1,906,111	4/1933	Shields	206/566
4,732,269	3/1988	Roy	206/566

OTHER PUBLICATIONS

Jewelers Keystone, Jun. 21, 1978, p. 504, shown by
arrow.

National Jeweler, Apr. 82, p. 48, shown by arrow.

Primary Examiner—Bernard Ansher

Assistant Examiner—Prabhakar Deshmukh

Attorney, Agent, or Firm—Lewis H. Eslinger

[57] **CLAIM**

The ornamental design for a jewelry presentation
case, as shown and described.

DESCRIPTION

FIG. 1 is a perspective view of a jewelry presentation
box showing my new design;

FIG. 2 is a front elevation thereof;

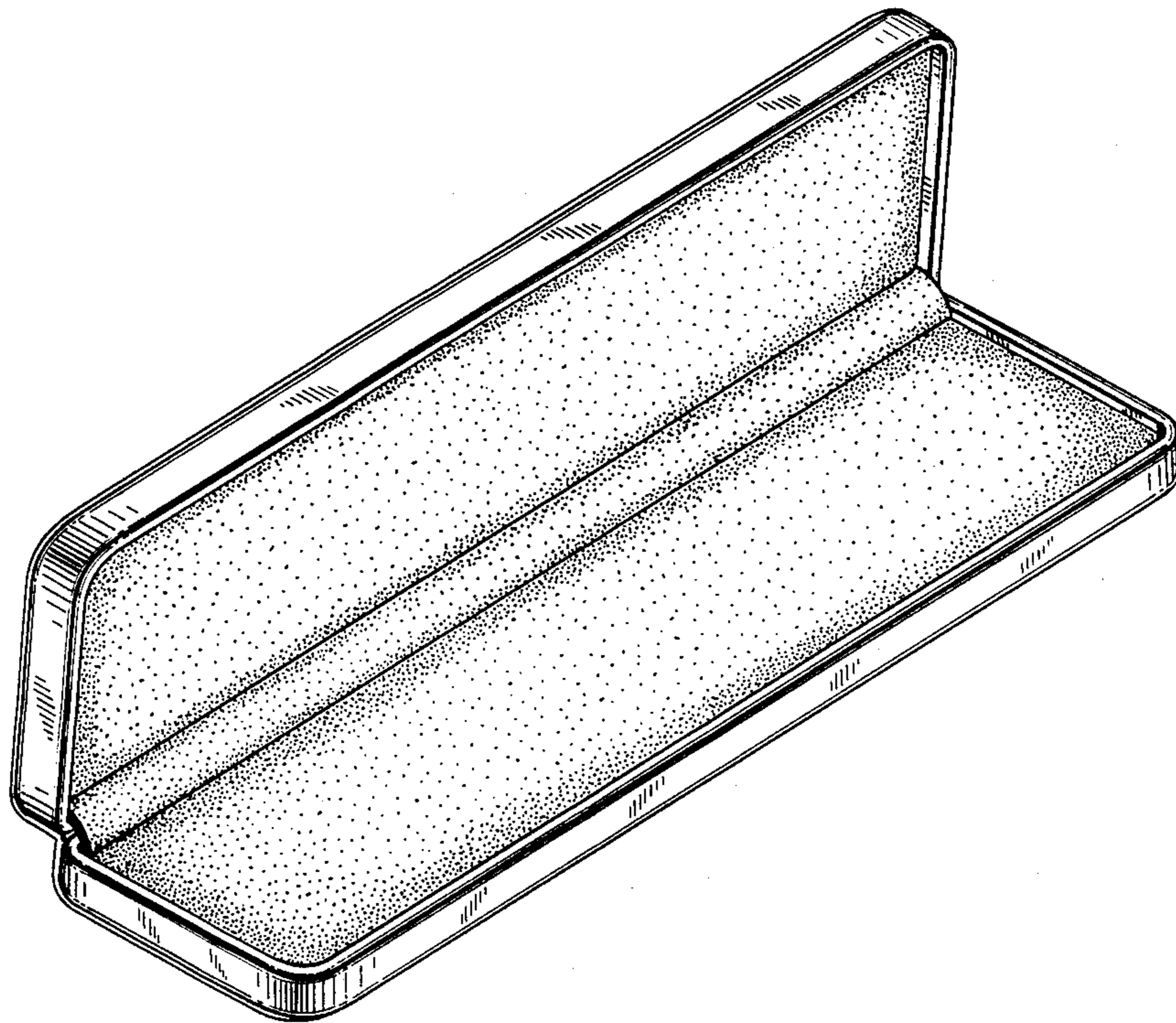
FIG. 3 is a rear elevation thereof;

FIG. 4 is a right side elevation thereof, the left side
elevation being a mirror image of the right side eleva-
tion shown;

FIG. 5 is a top plan view thereof;

FIG. 6 is a bottom plan view thereof; and

FIG. 7 is a perspective view thereof, in open position.



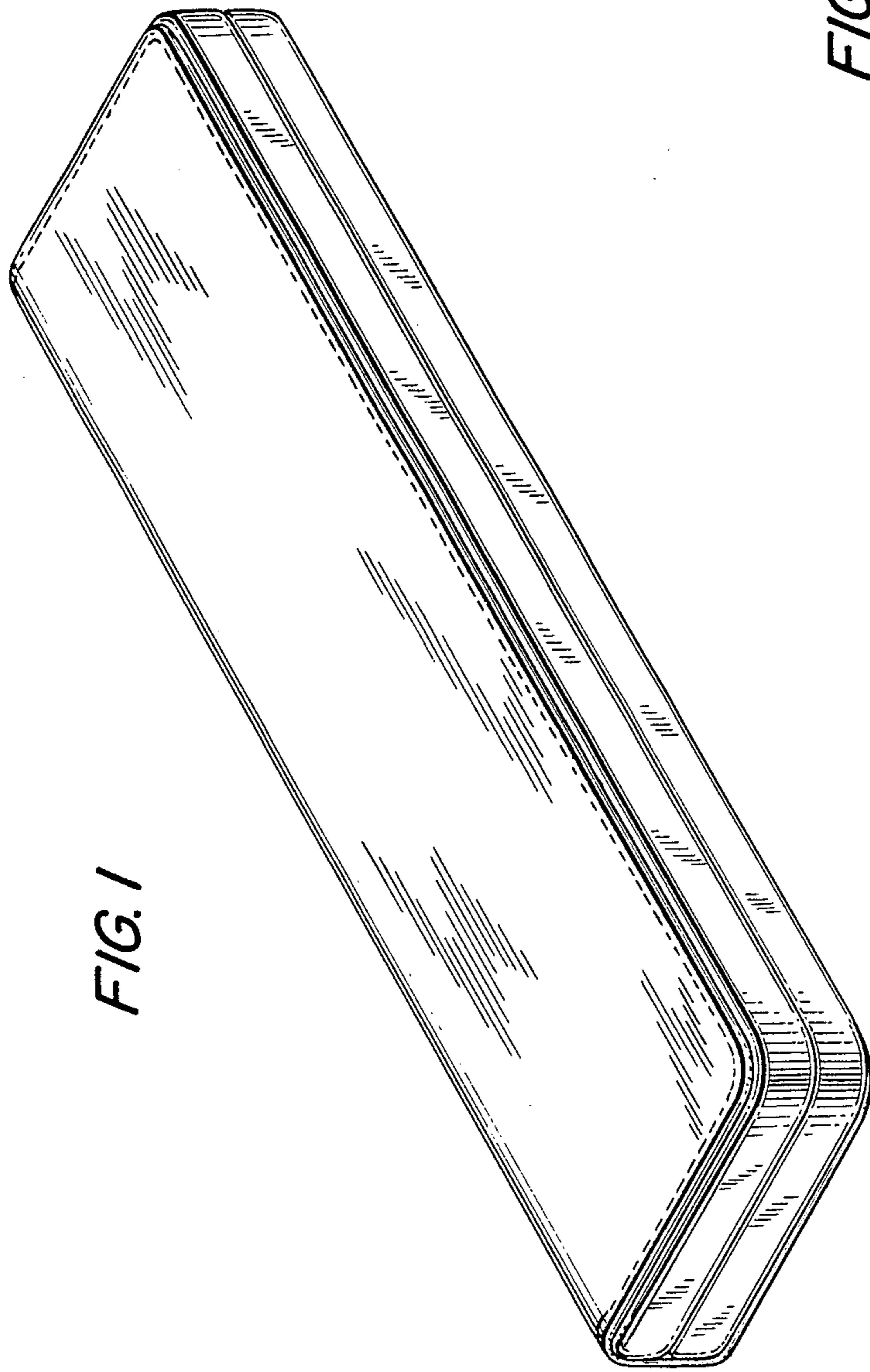


FIG. 1

FIG. 2

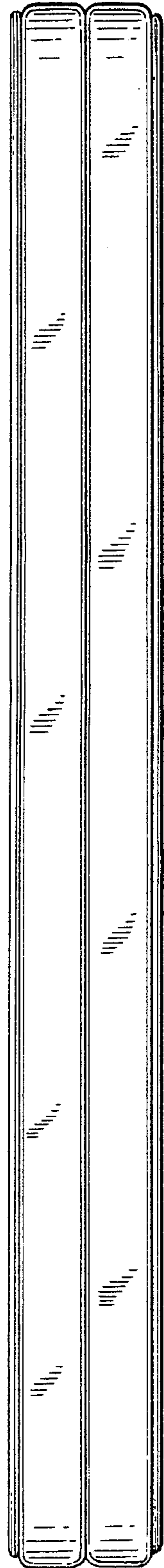


FIG. 3

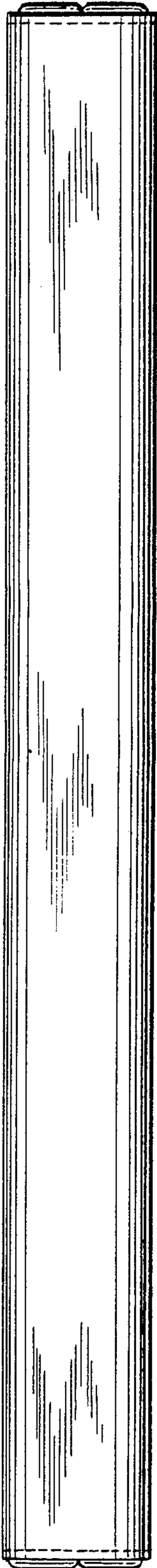


FIG. 4

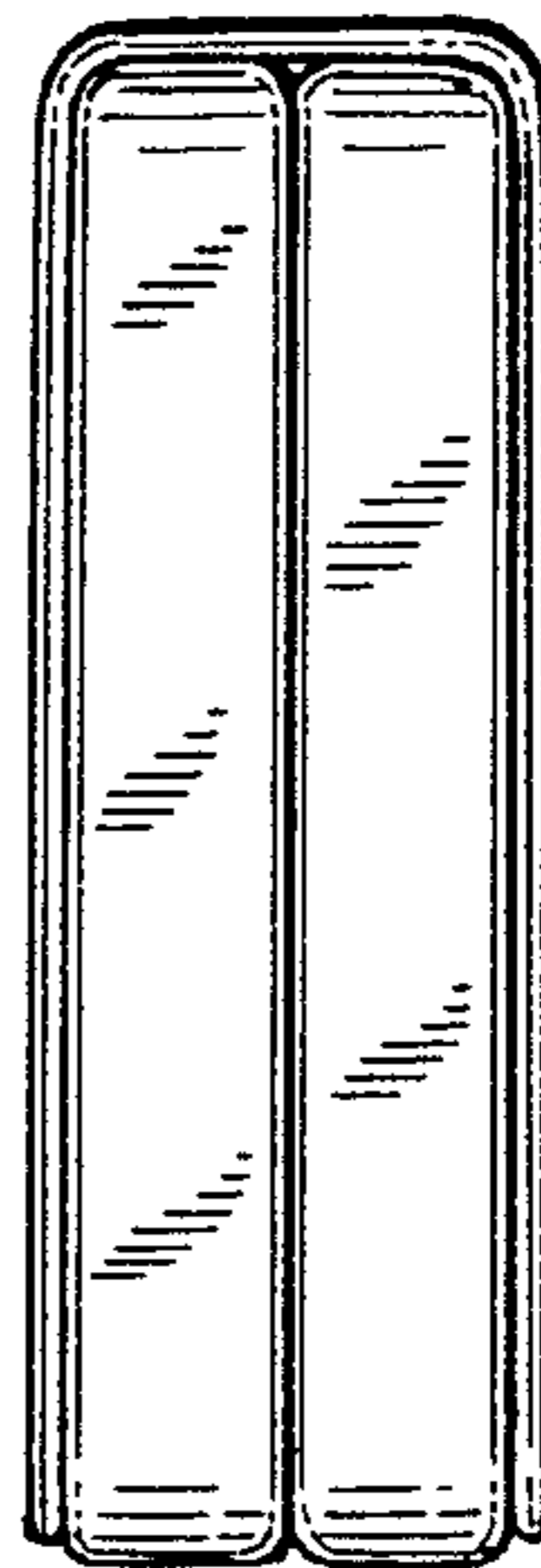


FIG. 5

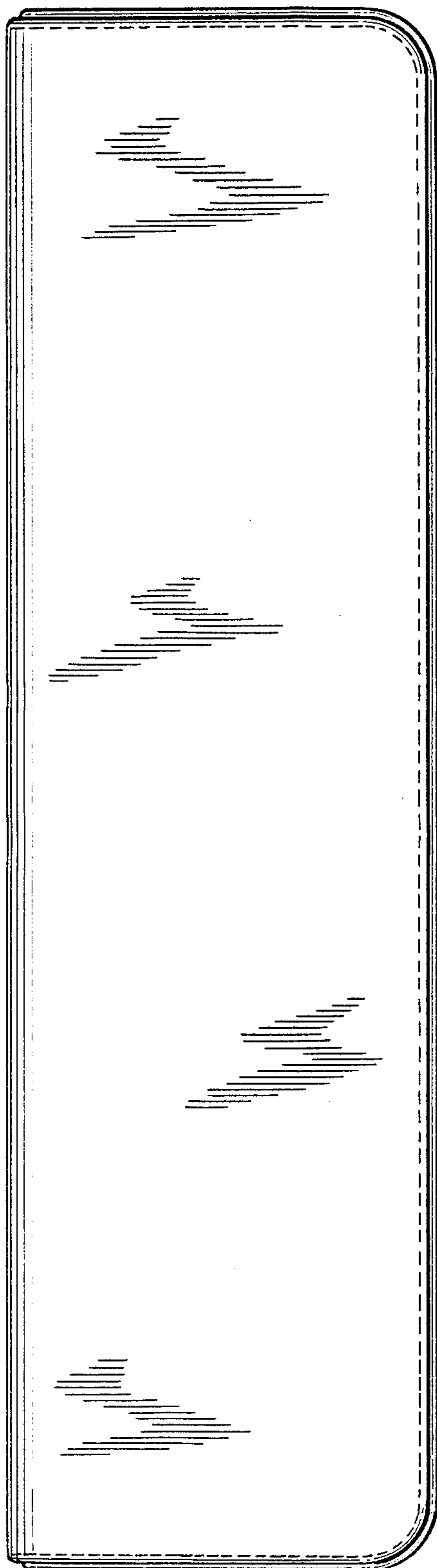
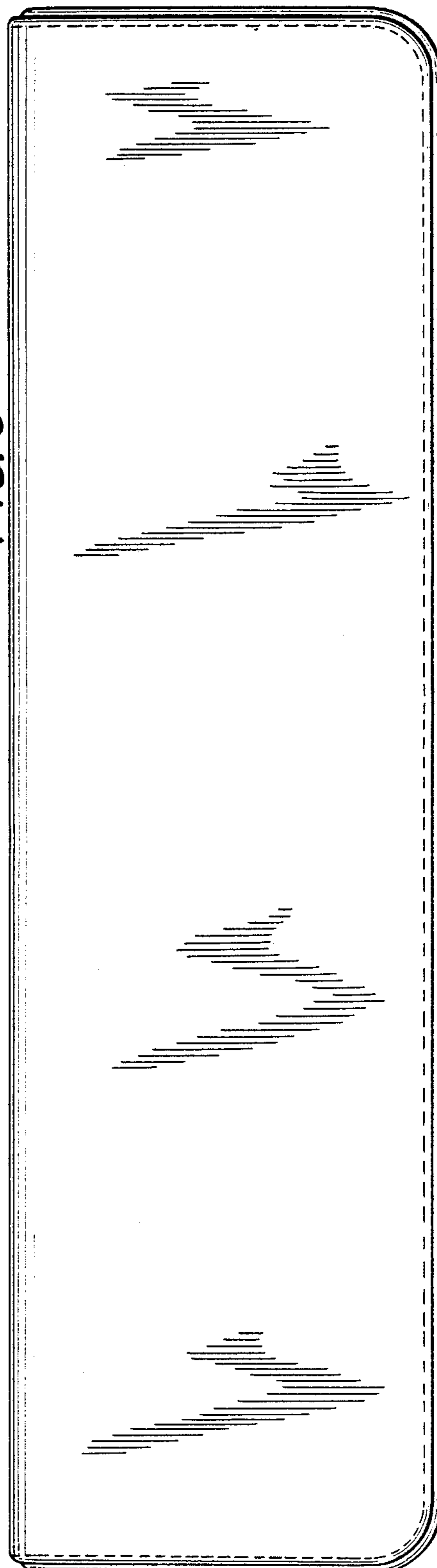


FIG. 6



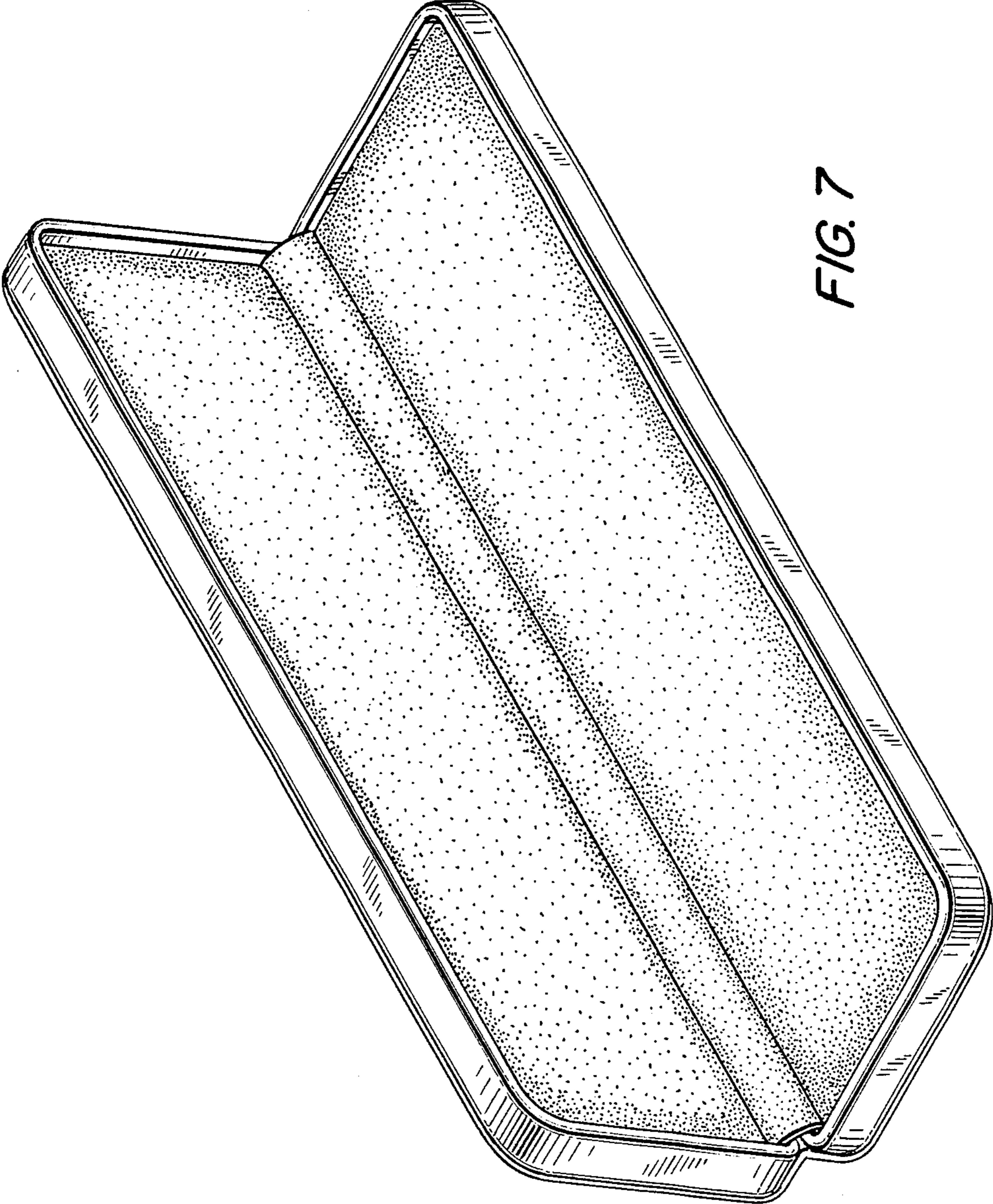


FIG. 7