

[54] JEWELRY DISPLAY BOX

[75] Inventor: John D. Kilmartin, III, Providence, R.I.

[73] Assignee: International Packaging Corporation, Pawtucket, R.I.

[**] Term: 14 Years

[21] Appl. No.: 849,254

[22] Filed: Apr. 7, 1986

[52] U.S. Cl. D9/423

[58] Field of Search D9/341, 414, 423, 425, D9/432, 345; D3/30.1, 56, 75, 74; D19/75; D28/83; 206/566, 562, 564, 387, 472, 561, 45.13; 229/100, 16 D, 10, 120.02, 124, 120.04; 220/125.8, 334, 4 B

[56] References Cited

U.S. PATENT DOCUMENTS

- D. 269,853 7/1983 Springett D9/345 X
- D. 275,530 9/1984 Duckworth D3/75
- 989,571 4/1911 Dahl 206/566 X

- 1,456,613 5/1923 Bartels 206/566 X
- 1,956,205 4/1934 Scruggs 206/566 X
- 1,960,073 5/1934 Warner 206/45.13
- 4,060,173 11/1977 Dahl 220/4 B

Primary Examiner—Bernard Ansher
Assistant Examiner—Prabhakar Deshmukh
Attorney, Agent, or Firm—Salter & Michaelson

[57] CLAIM

The ornamental design for a jewelry display box, as shown and described.

DESCRIPTION

FIG. 1 is a perspective view of a jewelry display box showing my new design;
 FIG. 2 is a left side elevation thereof; the right side elevation is similar to the left side elevation shown;
 FIG. 3 is a front elevation thereof.
 FIG. 4 is a top plan view thereof; the bottom plan view is similar to the top plan view shown;
 FIG. 5 is a perspective view thereof; in open position; and
 FIG. 6 is a rear side elevation thereof.

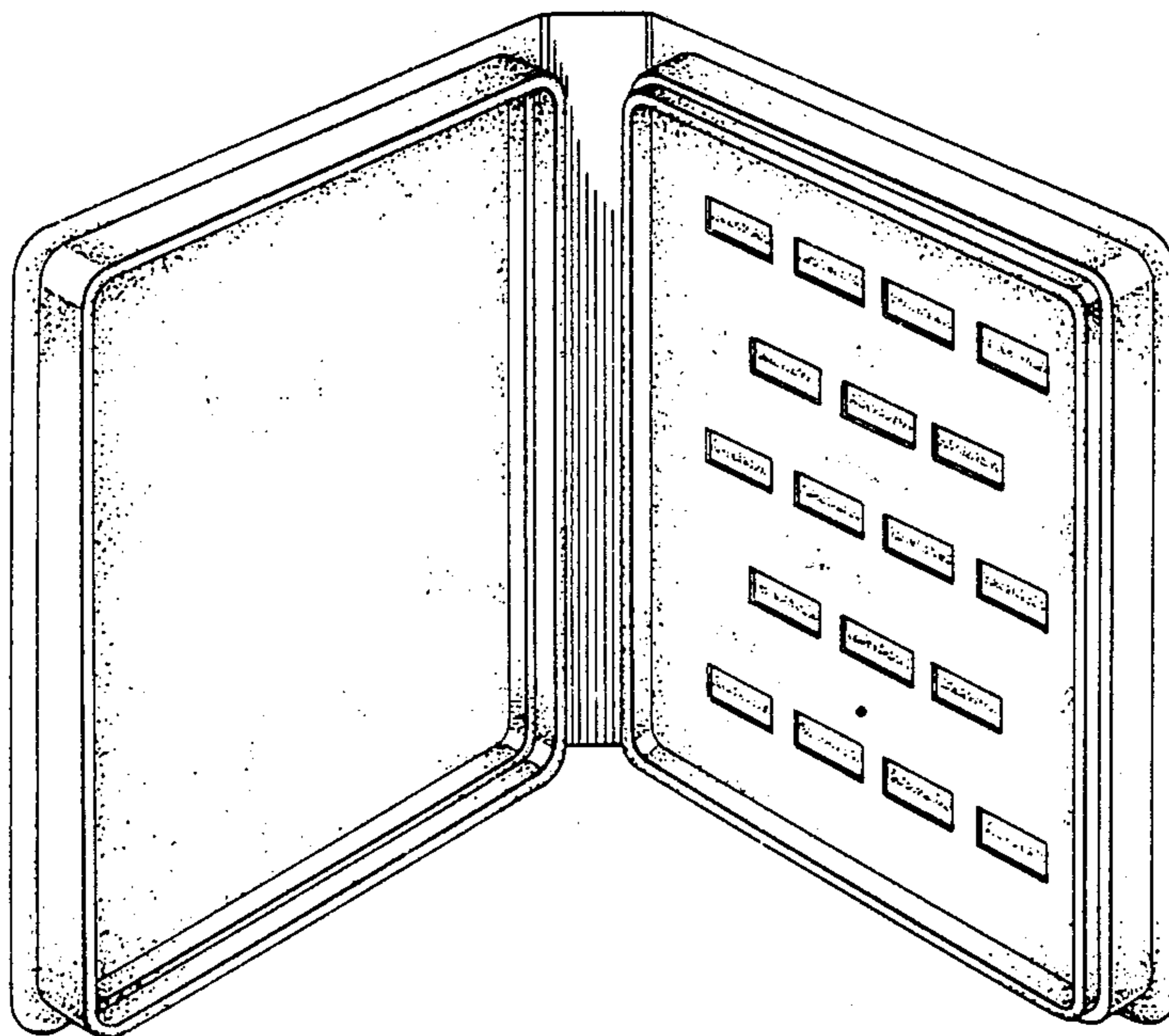


FIG. 1

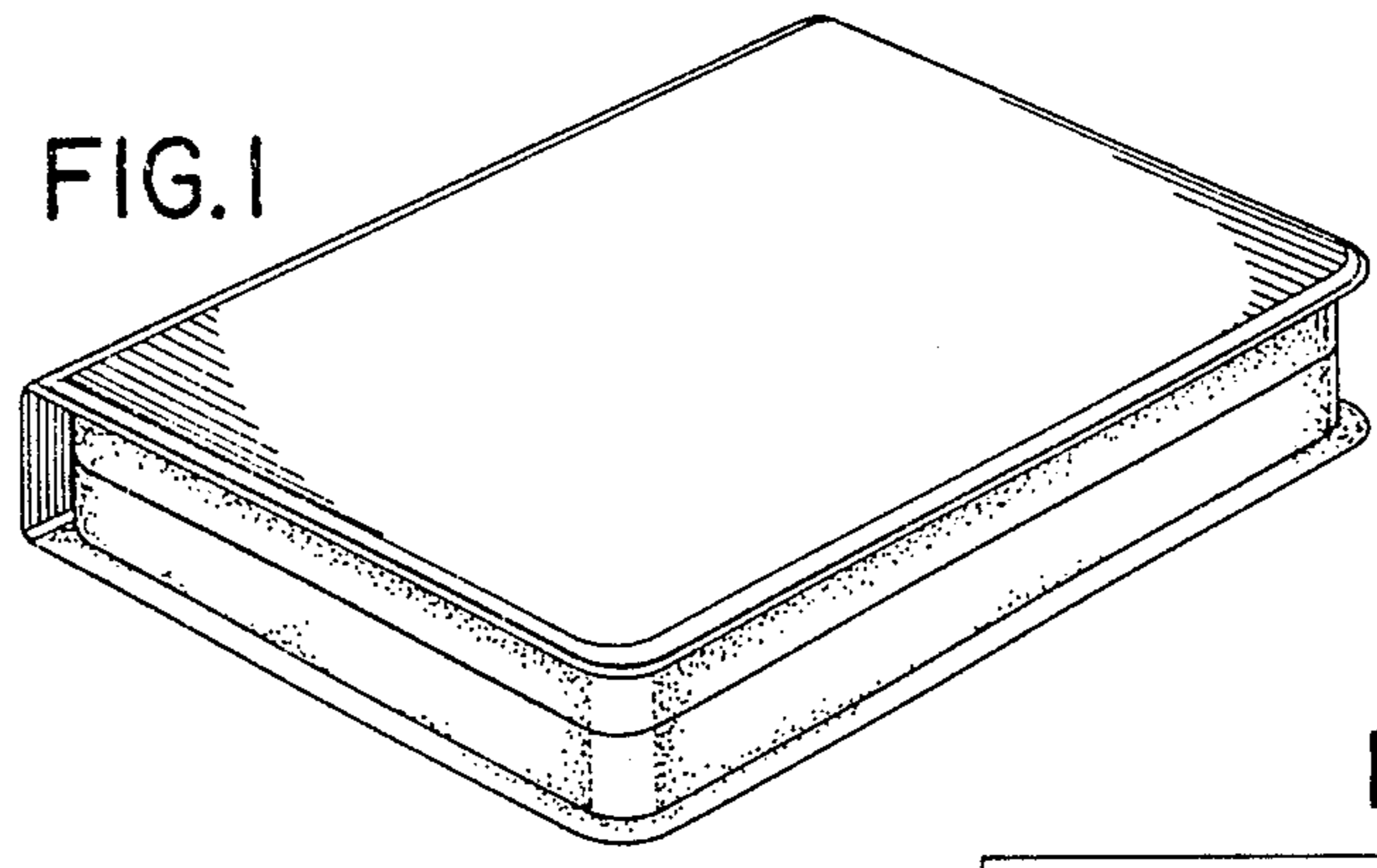


FIG. 2

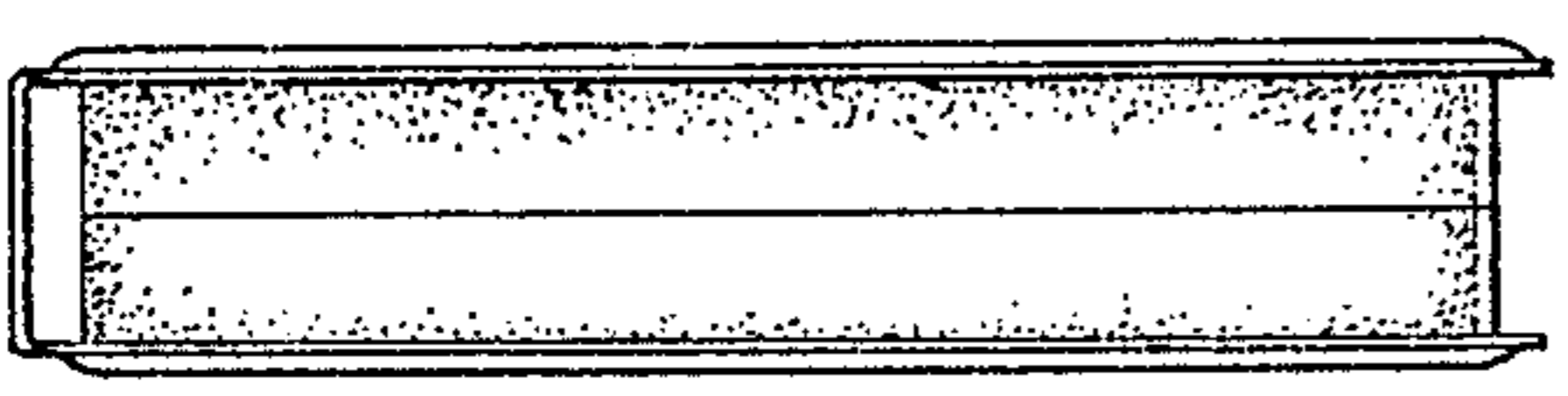


FIG. 3

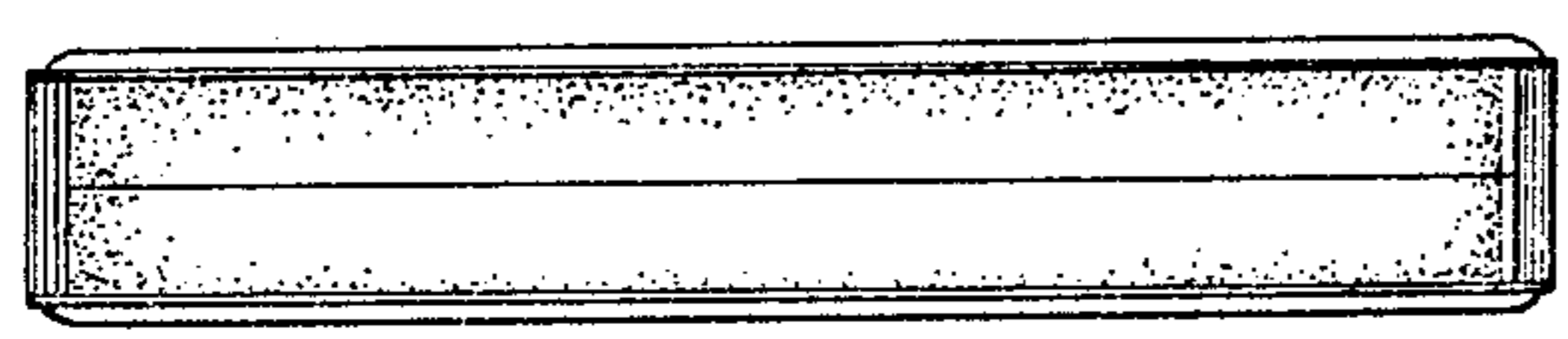


FIG. 4

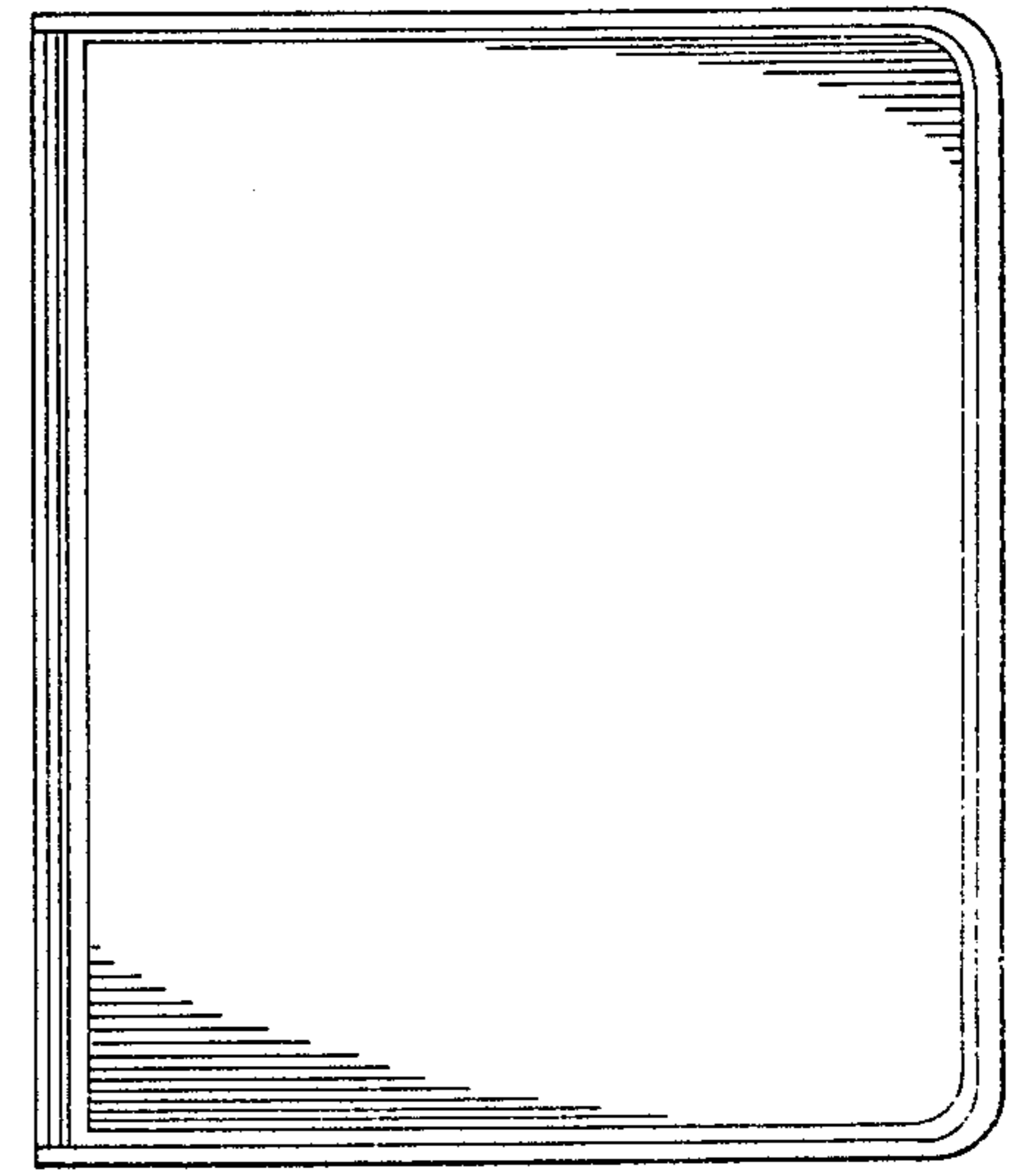


FIG. 5

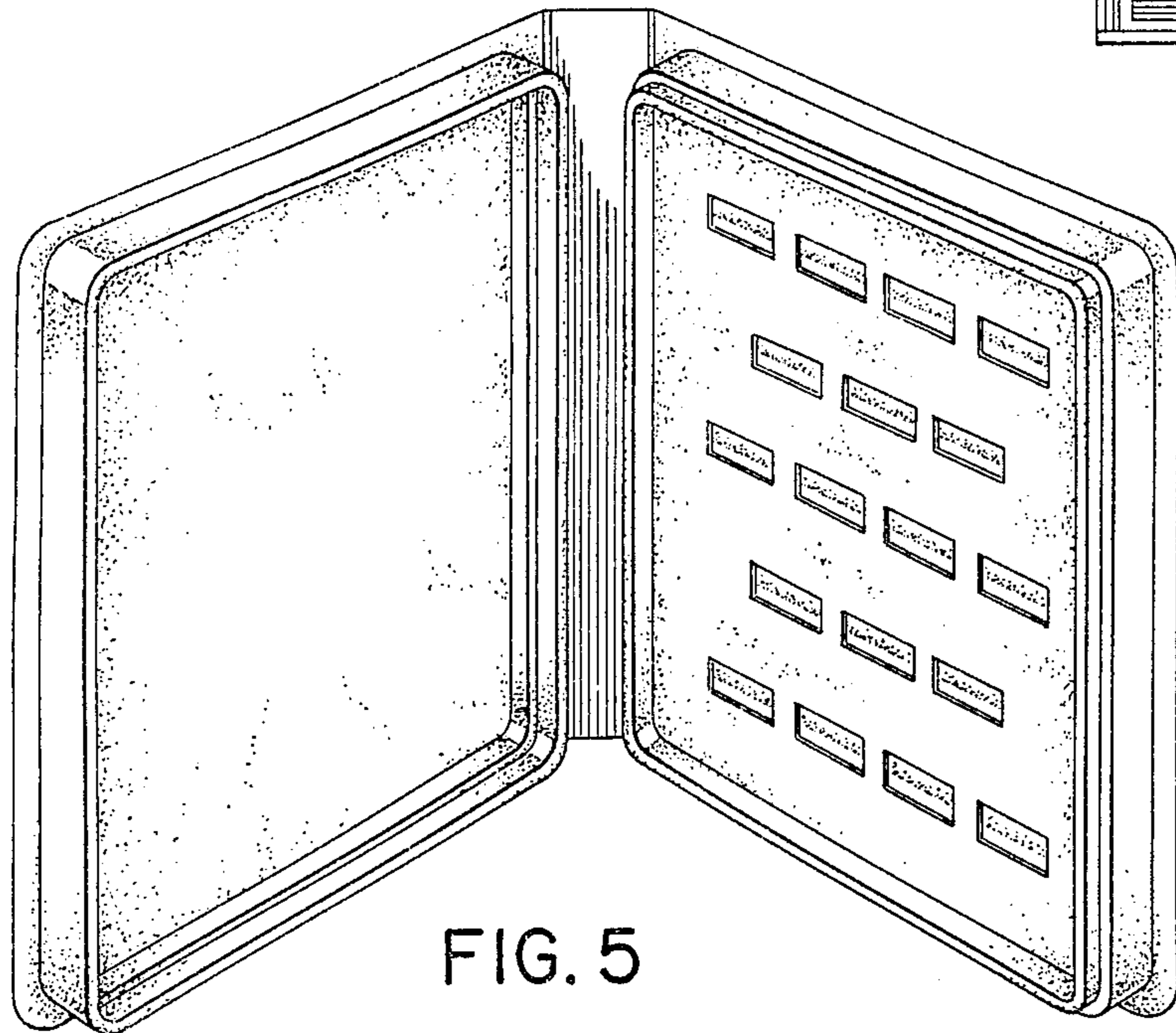


FIG. 6

