

[54] CONTAINER FOR CARAMEL APPLE

[76] Inventor: Daniel J. DeMarco, 3258 Fullerton Ave., Chicago, Ill. 60647

[**] Term: 14 Years

[21] Appl. No.: 17,972

[22] Filed: Feb. 24, 1987

[52] U.S. Cl. D9/415

[58] Field of Search D9/414, 415, 418, 420, D9/426; 206/461-468, 470, 471, 45.34, 315.9, 521.1, 521.2, 594; 229/2.5 R; 426/106, 110

[56] References Cited

U.S. PATENT DOCUMENTS

D. 278,596	4/1985	Ceraulo	D9/415	X
3,127,993	4/1964	Phipps	206/462	X
3,301,395	1/1967	Swezey	206/462	X
3,339,721	9/1967	Goldstein	206/594	X
3,800,998	4/1974	Gask	206/45.34	X

3,857,487	12/1974	Misslin	206/463	X
4,512,474	4/1985	Harding	206/461	X
4,622,229	11/1986	Toshitsugu	206/466	X

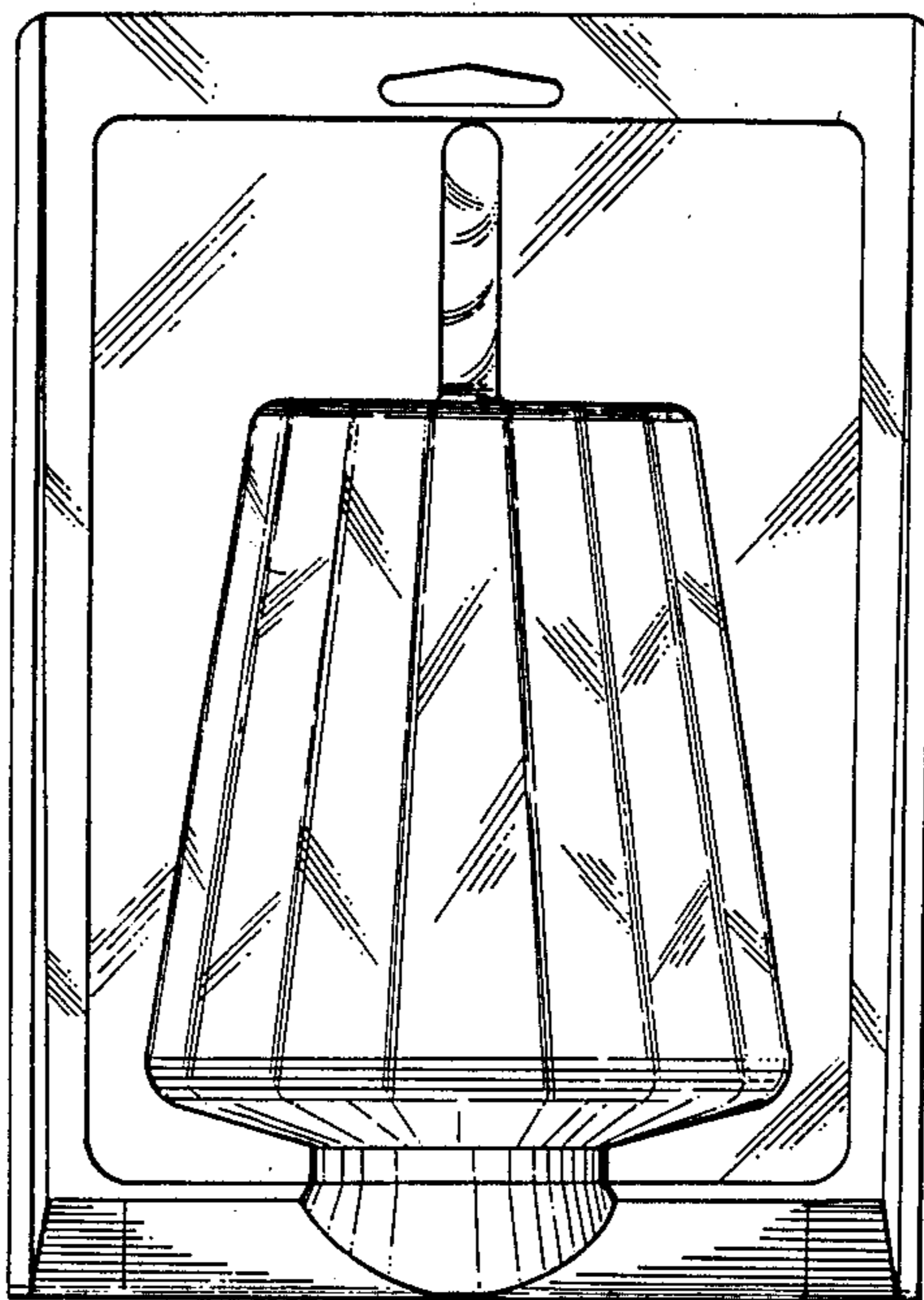
Primary Examiner—Bernard Ansher
Assistant Examiner—Prabhakar Deshmukh
Attorney, Agent, or Firm—Milton S. Gerstein; Marvin Benn

[57] CLAIM

The ornamental design for the container for caramel apple, as shown and described.

DESCRIPTION

FIG. 1 is a front elevation of a container for caramel apple showing my new design;
FIG. 2 is a left side elevation thereof, the right side elevation is similar to the left side elevation shown;
FIG. 3 is a top plan view thereof;
FIG. 4 is a bottom plan view thereof; and
FIG. 5 is a rear side elevation view thereof.



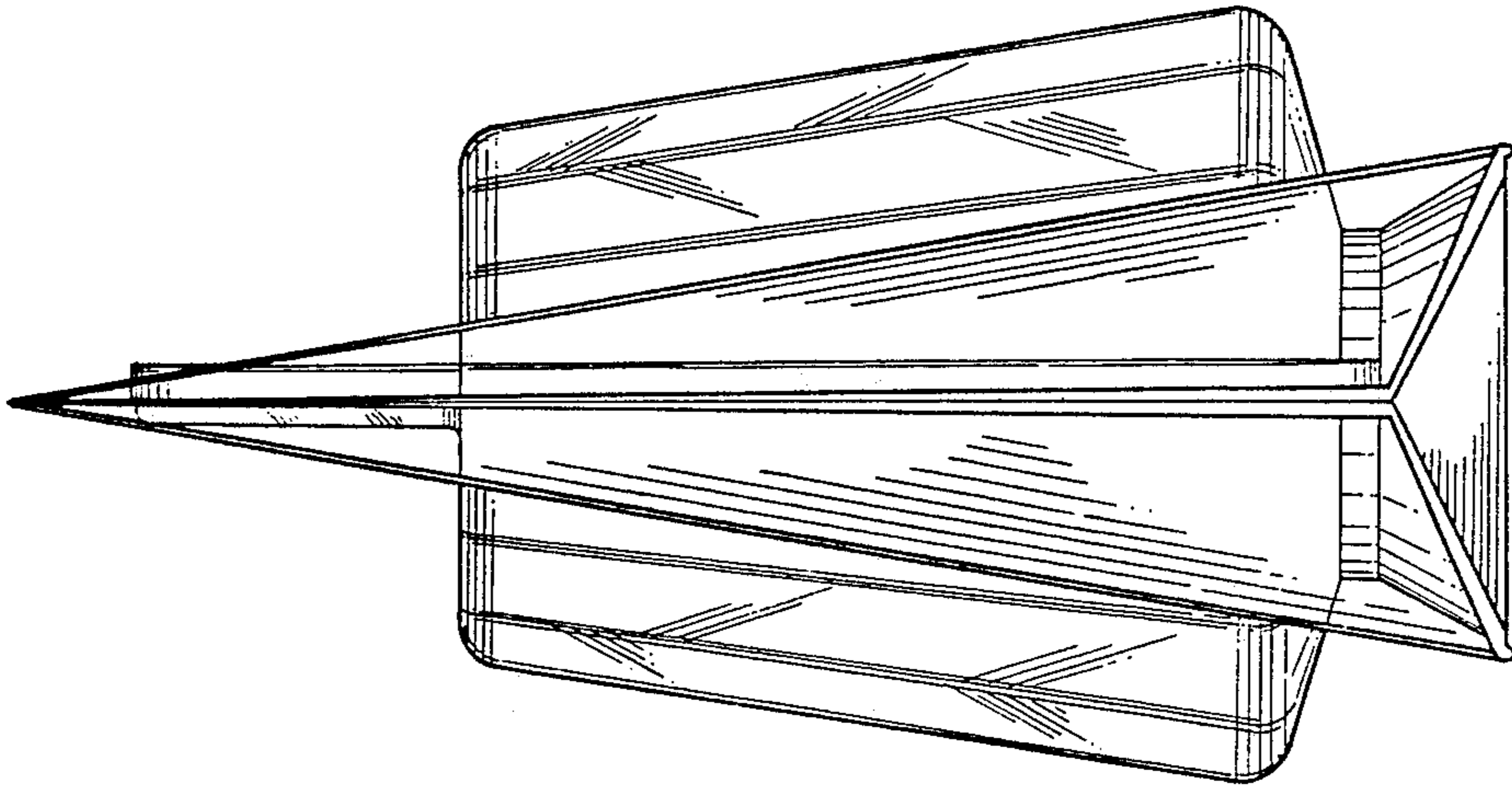


FIG. 2

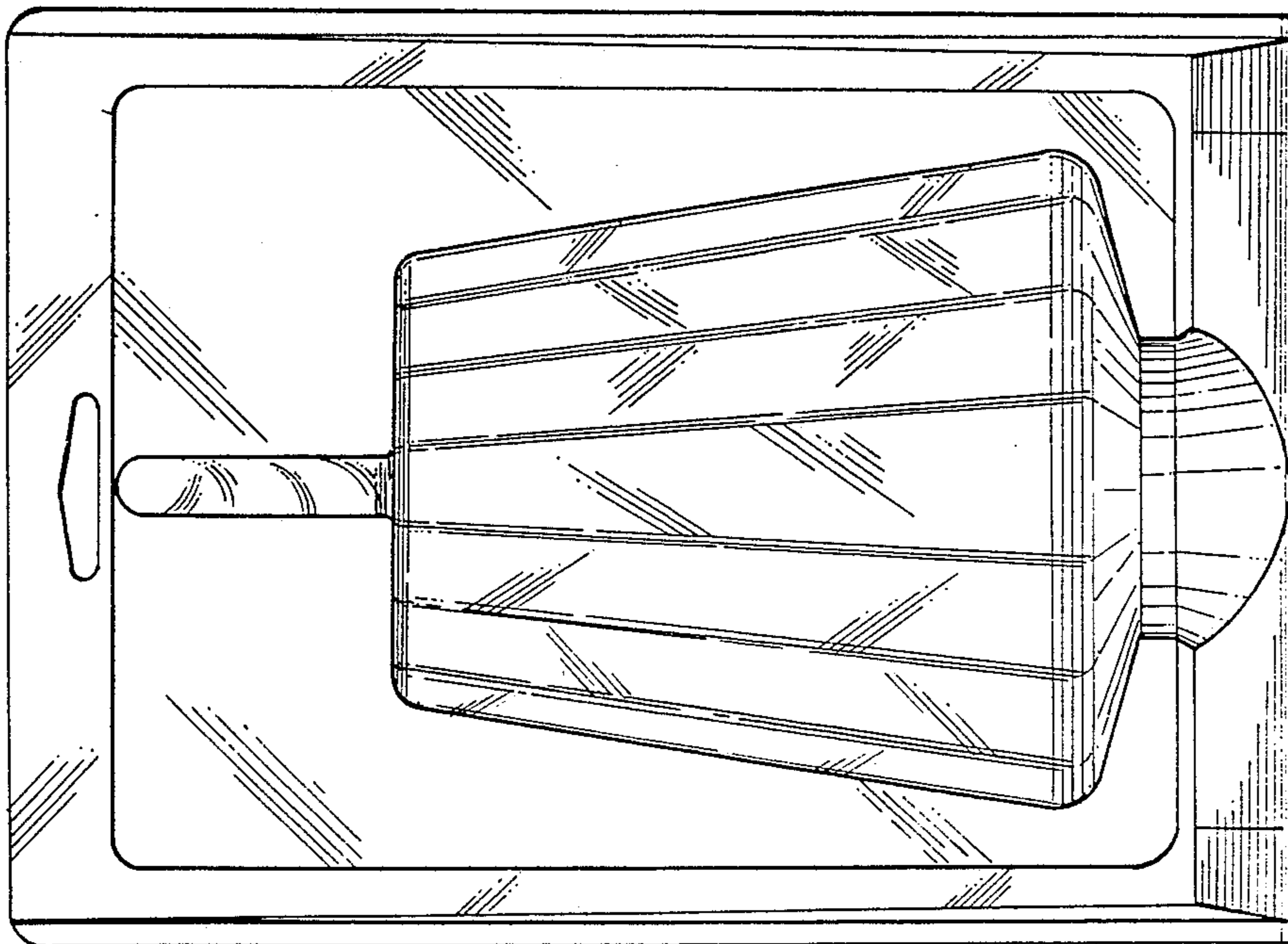


FIG. 1

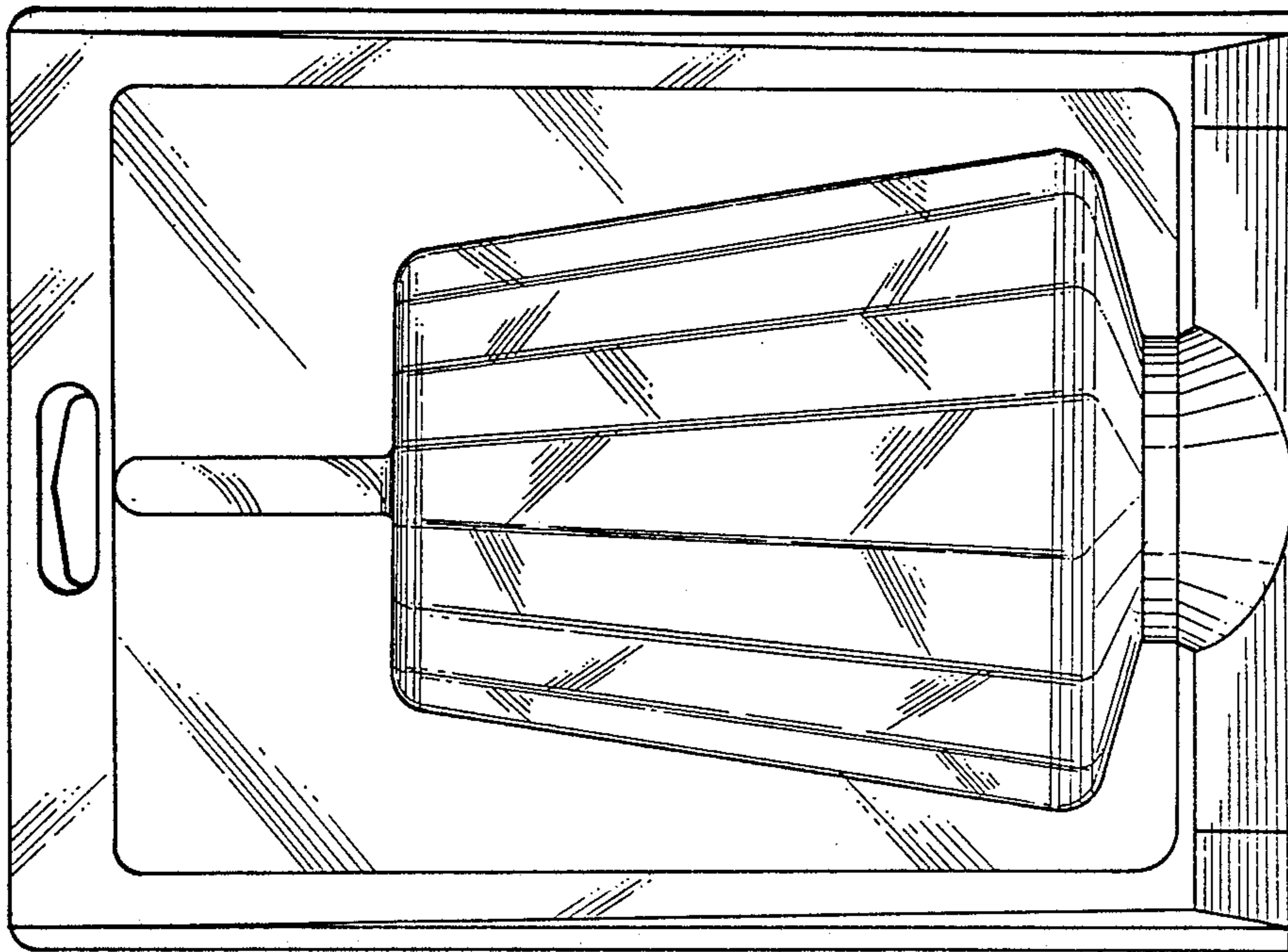


FIG. 5

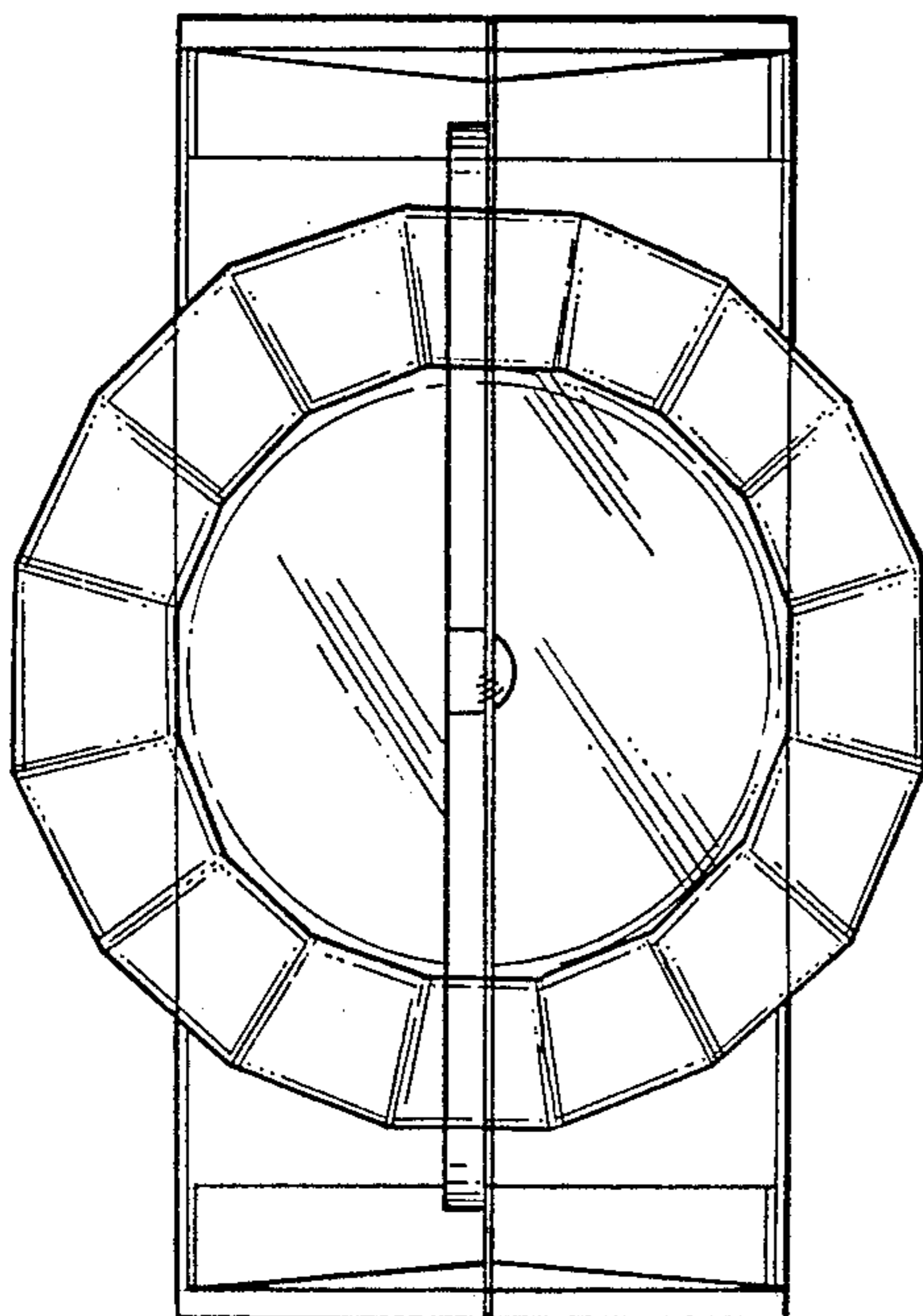


FIG. 3

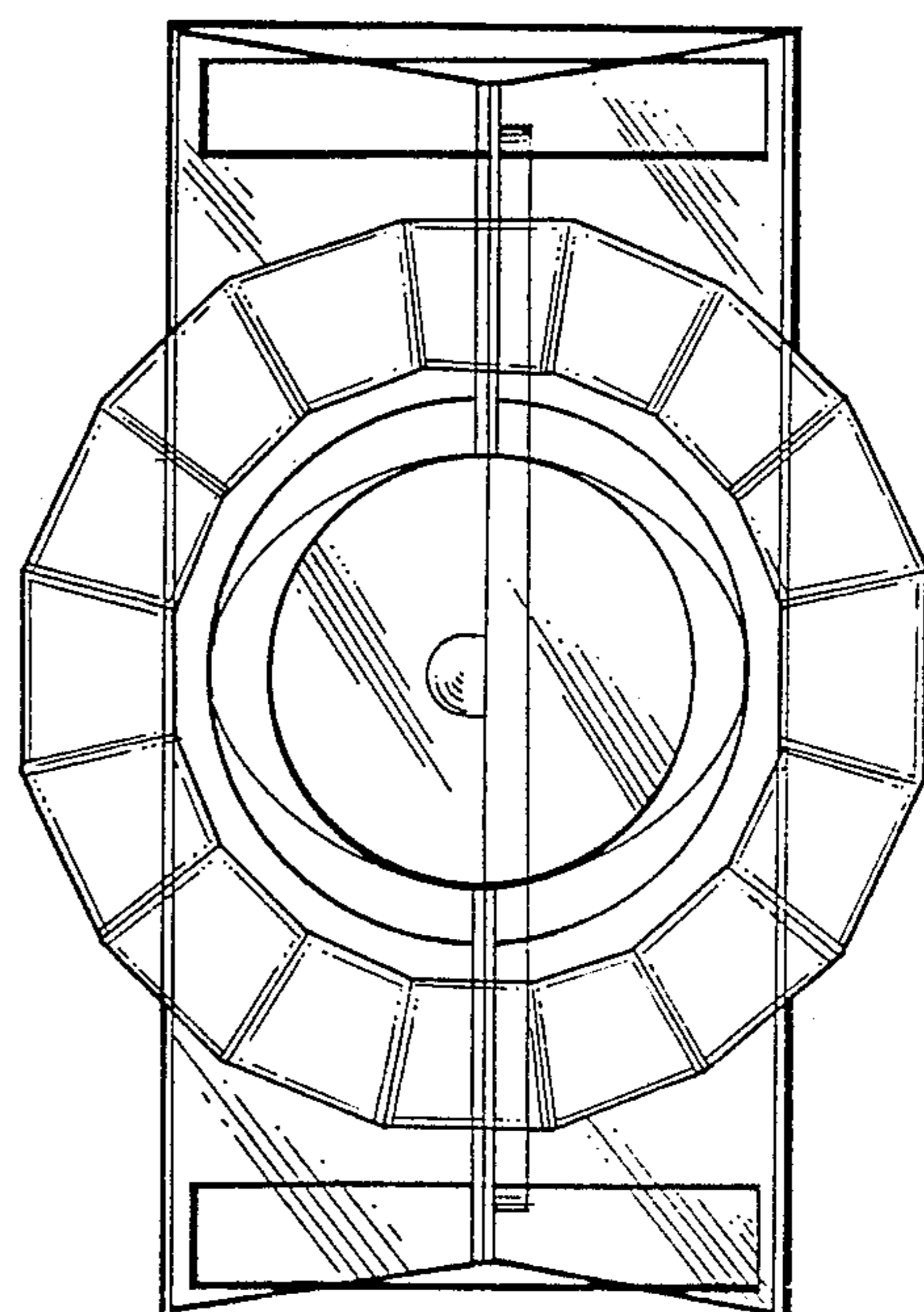


FIG. 4