

[54] COMBINED PACKAGE AND DISPENSER FOR EXTRUSIBLE COMESTIBLES

[75] Inventor: George Mileos, Riverdale, N.Y.

[73] Assignee: General Foods Corporation, White Plains, N.Y.

[**] Term: 14 Years

[21] Appl. No.: 903,056

[22] Filed: Sep. 2, 1986

[52] U.S. Cl. D9/306; D7/43; D9/431

[58] Field of Search D9/302, 305, 306, 420, D9/423, 431, 432, 434, 435, 442, 447, 449; D1/116-119; D7/43, 99, 6, 51; 383/62, 906, 907; 222/105, 107, 566, 572, 575

[56] References Cited

U.S. PATENT DOCUMENTS

- D. 47,800 9/1915 Pick D7/6
- D. 93,693 10/1934 Swann D7/51

- D. 219,898 2/1971 Buckley D7/51
- D. 221,214 7/1971 MacManus D9/305
- D. 286,747 11/1986 Kostanecki D9/447
- D. 289,720 5/1987 Maher D9/435

OTHER PUBLICATIONS

Handbook of Designs and Devices; Clarence P. Horning.

Primary Examiner—B. J. Bullock

Assistant Examiner—Dominic Simone

Attorney, Agent, or Firm—Thomas R. Savoie; Daniel J. Donovan

[57] CLAIM

The ornamental design for combined package and dispenser for extrusible comestibles, as shown.

DESCRIPTION

FIG. 1 is a perspective view of combined package and dispenser for extrudable comestibles showing my new design, the opposite sides being identical;

FIG. 2 is a reduced bottom plan view thereof.

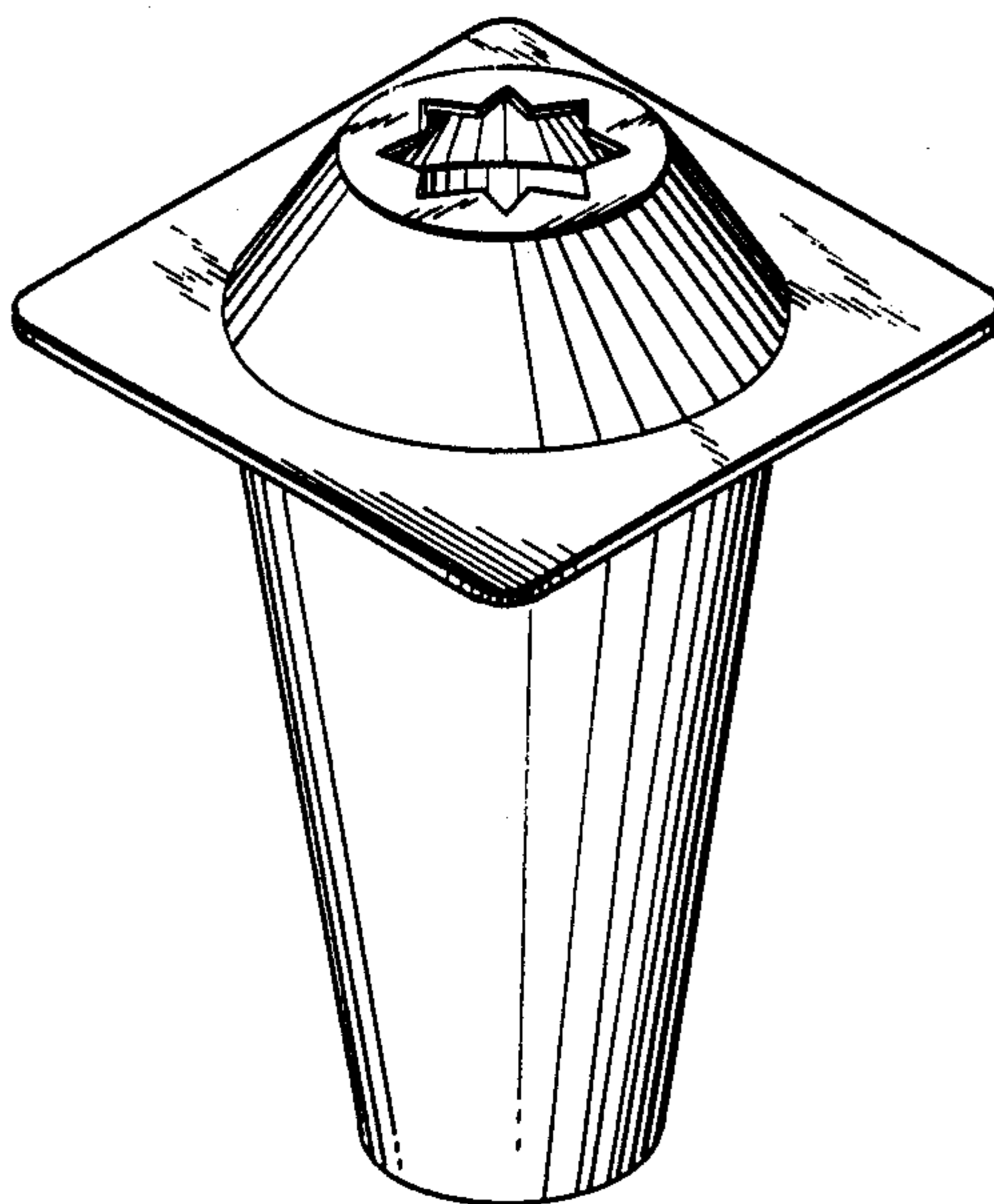


FIG.1

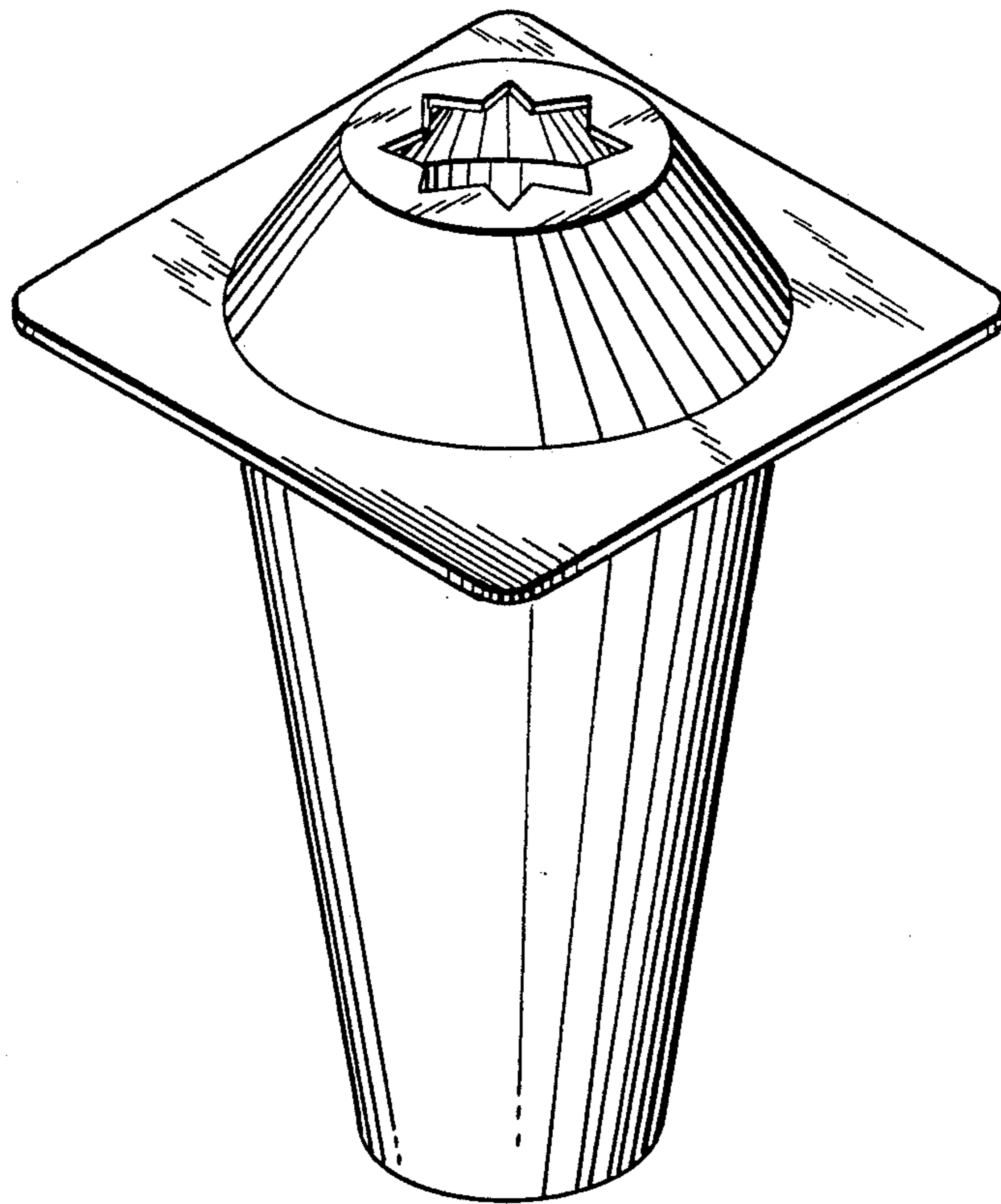


FIG.2

