

[54] **DOOR STOP**

[75] **Inventor: Kenneth A. Meyers, Reedsburg, Wis.**

[73] **Assignee: Gerber Products Company, Fremont, Mich.**

[**] **Term: 14 Years**

[21] **Appl. No.: 269,946**

[22] **Filed: Nov. 10, 1988**

[52] **U.S. Cl. D8/402**

[58] **Field of Search D8/402; 292/262, 288; 16/82, 85, 86 R, 86 A, 86 B**

[56] **References Cited**

U.S. PATENT DOCUMENTS

2,172,610	9/1939	Frank	292/288
2,565,906	8/1951	Berthene	292/288
2,988,390	6/1961	Kramer	292/288

3,428,349	2/1969	Shelton	292/288
3,620,483	11/1971	Weinberger	292/262
3,758,141	9/1973	Weinberger	16/82

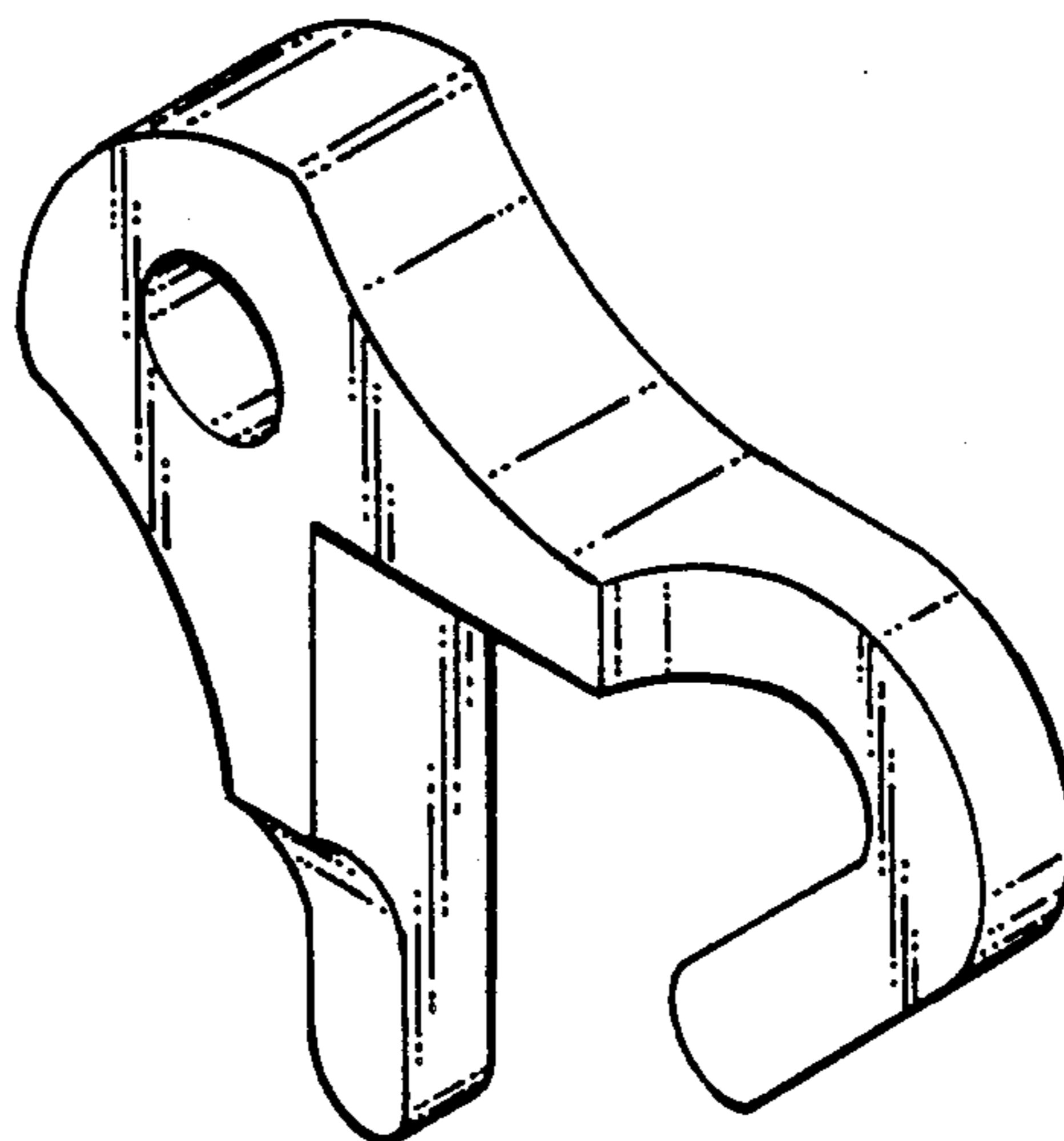
Primary Examiner—B. J. Bullock
Attorney, Agent, or Firm—Price, Heneveld, Cooper, DeWitt & Litton

[57] **CLAIM**

The ornamental design for a door stop, as shown and described.

DESCRIPTION

FIG. 1 is a perspective view of a door stop showing my new design;
FIG. 2 is a top plan view;
FIG. 3 is a front elevational view;
FIG. 4 is a right side elevational view;
FIG. 5 is a rear elevational view;
FIG. 6 is a left side elevational view; and
FIG. 7 is a bottom plan view thereof.



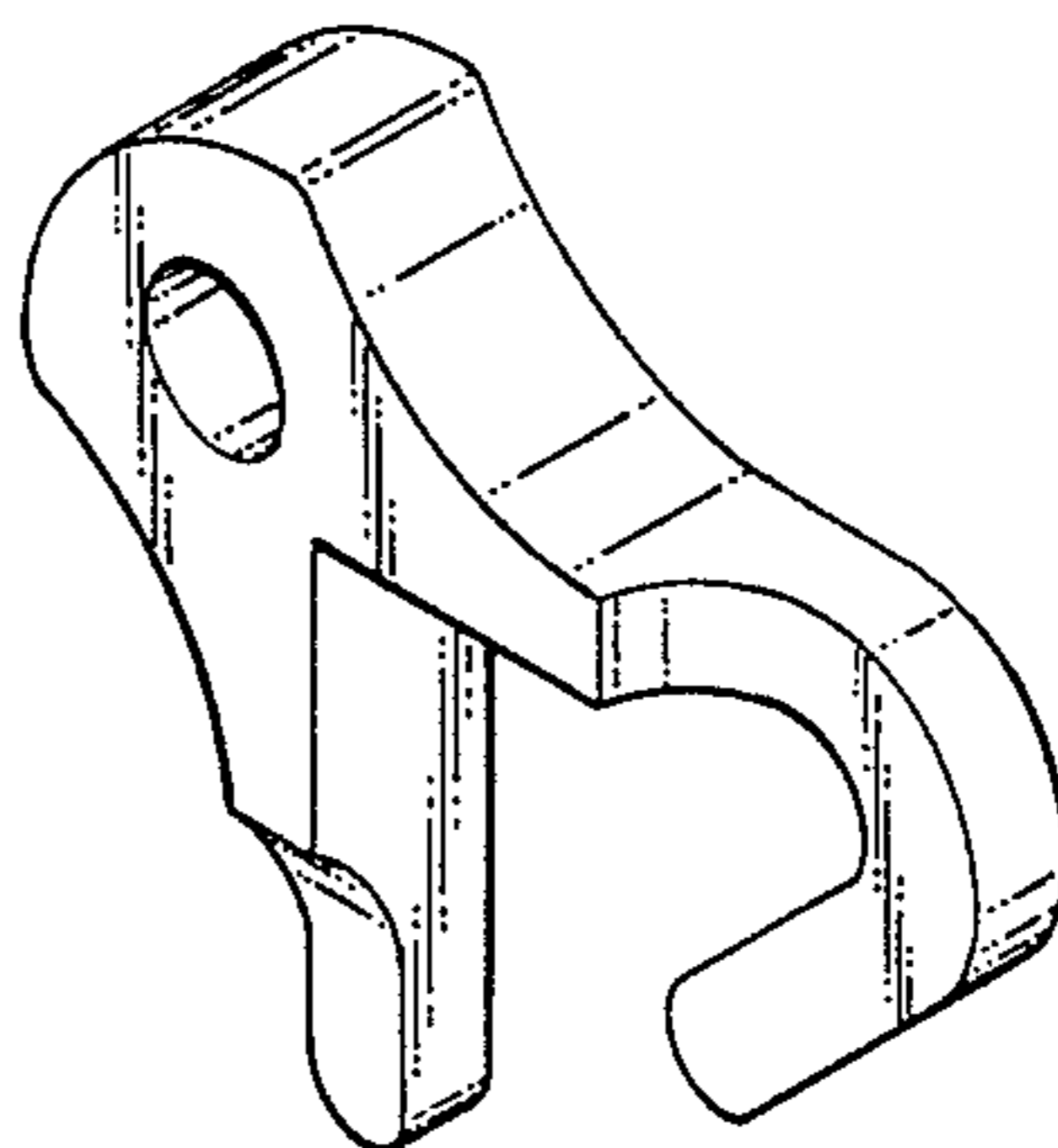


FIG. 1.



FIG. 2.

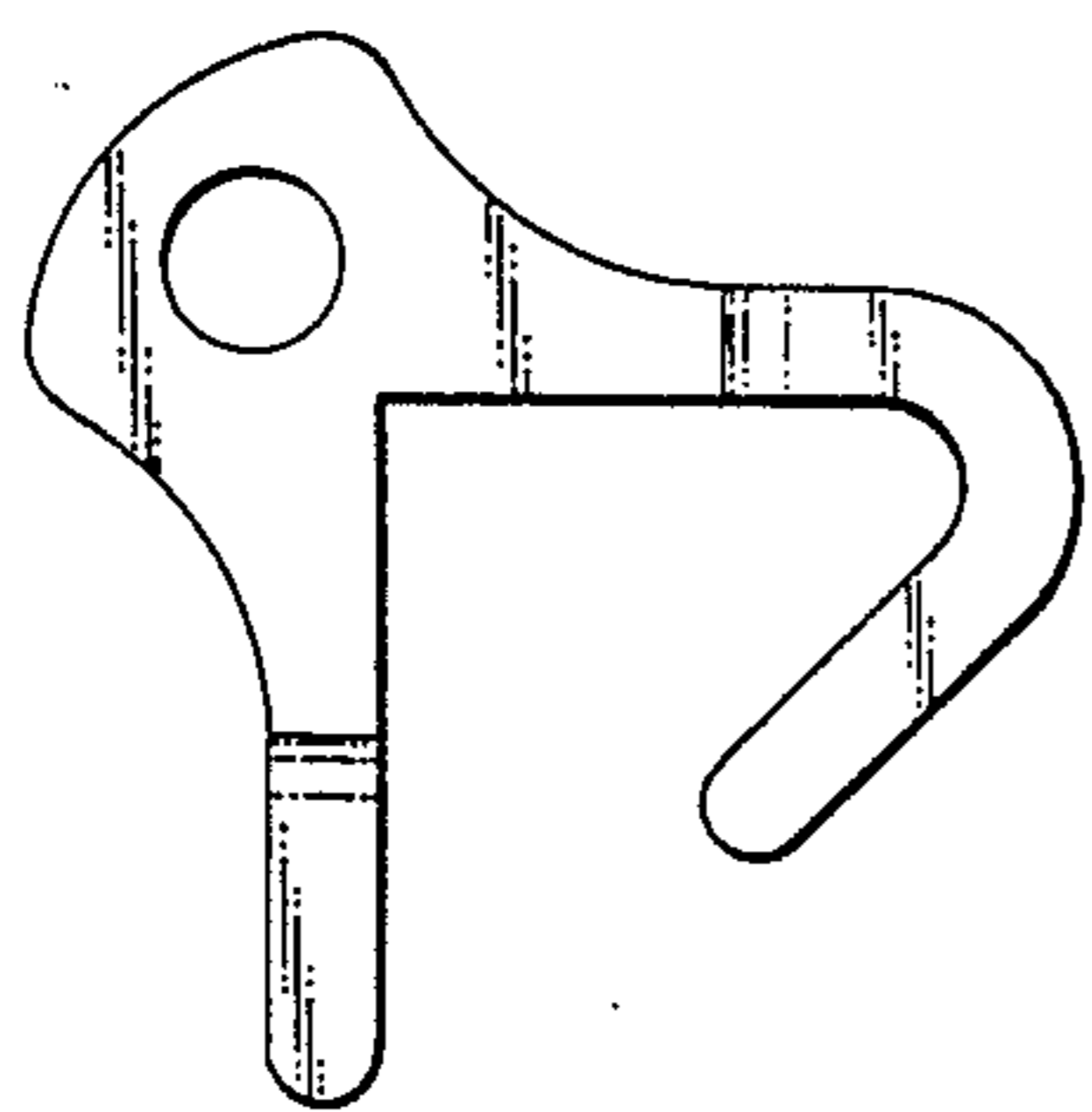


FIG. 3.



FIG. 4.

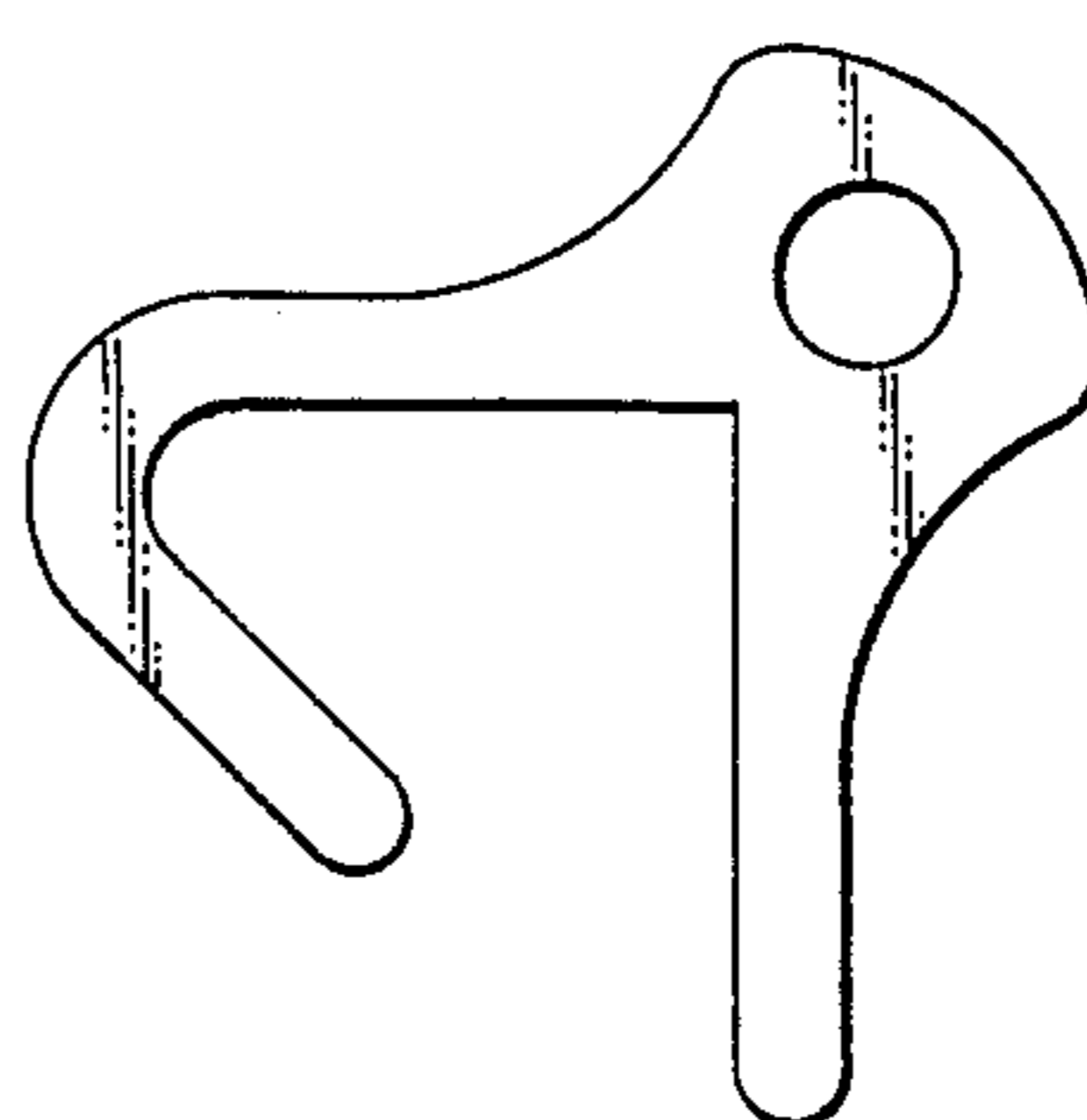


FIG. 5.

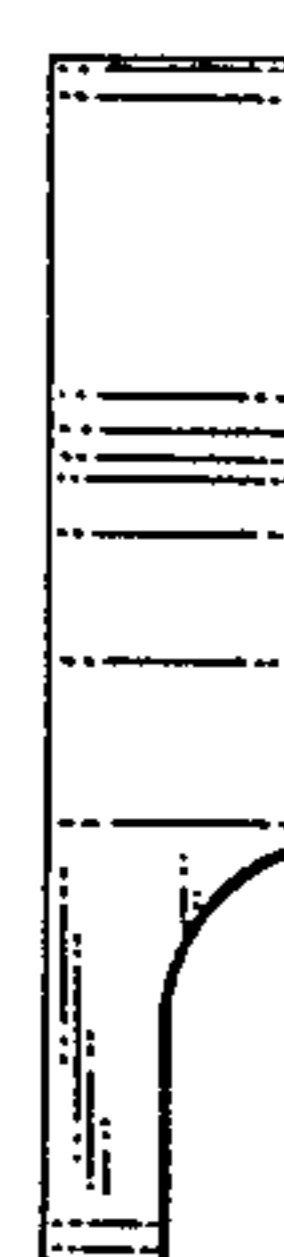


FIG. 6.



FIG. 7.