

[54] STRIKE PLATE

[75] Inventors: Lee S. Weinerman, Medina; Steven A. Mayo, Akron, both of Ohio

[73] Assignee: The Eastern Company, Cleveland, Ohio

[**] Term: 14 Years

[21] Appl. No.: 72,281

[22] Filed: Jul. 10, 1987

[52] U.S. Cl. D8/344

[58] Field of Search D8/330-331, D8/344; 292/340-341.19

[56] References Cited

U.S. PATENT DOCUMENTS

- 3,209,563 10/1965 Pelcin 70/148
- 3,758,140 9/1973 Prete, Jr. 292/223

OTHER PUBLICATIONS

- Lawrence Bros. Cat. 81-d, (Aug. 1987) p. 13—"Cupboard Turn" Striker.
- Signal Catalogue (1943), p. 23—"Angular Strike DS".
- Southco Inc., *Southco Fasteners Handbook* 37, Concordville, PA 19331, date unknown.
- Eberhard Manufacturing Co., *Handbook of Latches, Locks, Hinges, Handles, and Related Hardware* No. 103, Cleveland, OH 44136, 1985.
- Adams Rite Manufacturing Co., *Hardware For Glass Doors That Swing or Slide*, City of Industry, CA 91749, Jan., 1988.

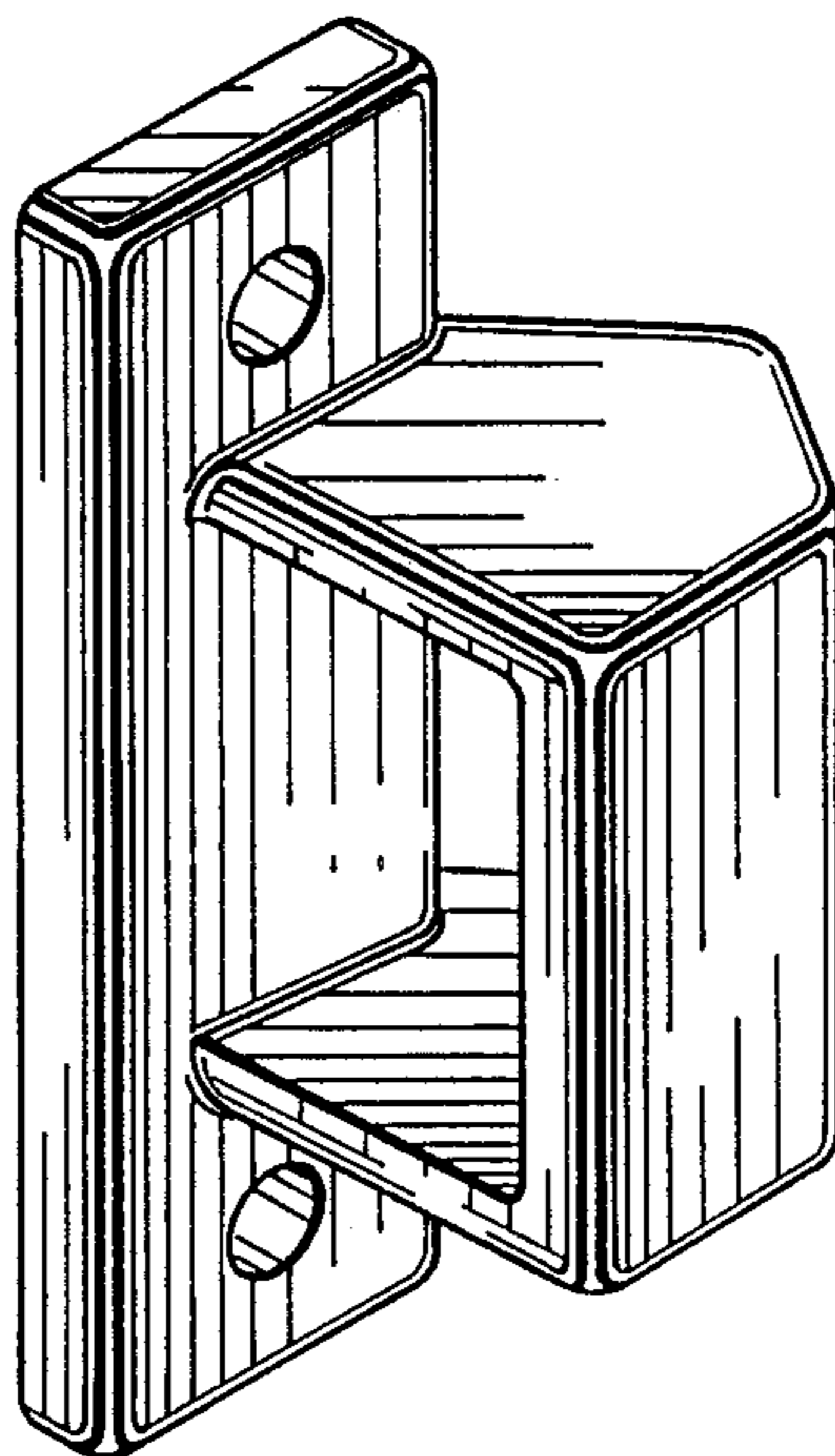
Primary Examiner—Wallace R. Burke
Assistant Examiner—Brian N. Vinson
Attorney, Agent, or Firm—David A. Burge

[57] CLAIM

The ornamental design for a strike plate, as shown and described.

DESCRIPTION

FIG. 1 is a perspective view of a strike plate showing our new design;
 FIG. 2 is a front elevational view thereof;
 FIG. 3 is a rear elevational view thereof;
 FIG. 4 is a bottom plan view thereof;
 FIG. 5 is a top plan view thereof;
 FIG. 6 is a left side elevational view thereof;
 FIG. 7 is a right side elevational view thereof;
 FIG. 8 is a vertical cross-sectional view thereof, taken along line 8—8 of FIG. 3;
 FIG. 9 is a vertical cross-sectional view thereof, taken along line 9—9 of FIG. 3;
 FIG. 10 is a horizontal cross-sectional view thereof, taken along line 10—10 of FIG. 2;
 FIG. 11 is a front elevational view of an alternate embodiment thereof, shown rotated slightly;
 FIG. 12 is a rear elevational view of the embodiment of FIG. 11;
 FIG. 13 is a bottom plan view of the embodiment of FIG. 11, the top being a mirror image of that shown;
 FIG. 14 is a left side elevational view thereof; and
 FIG. 15 is a right side elevational view thereof.
 The broken line showing of the threaded studs extending from the rear in FIGS. 11-15 is for illustrative purposes only and forms no part of the claimed design.



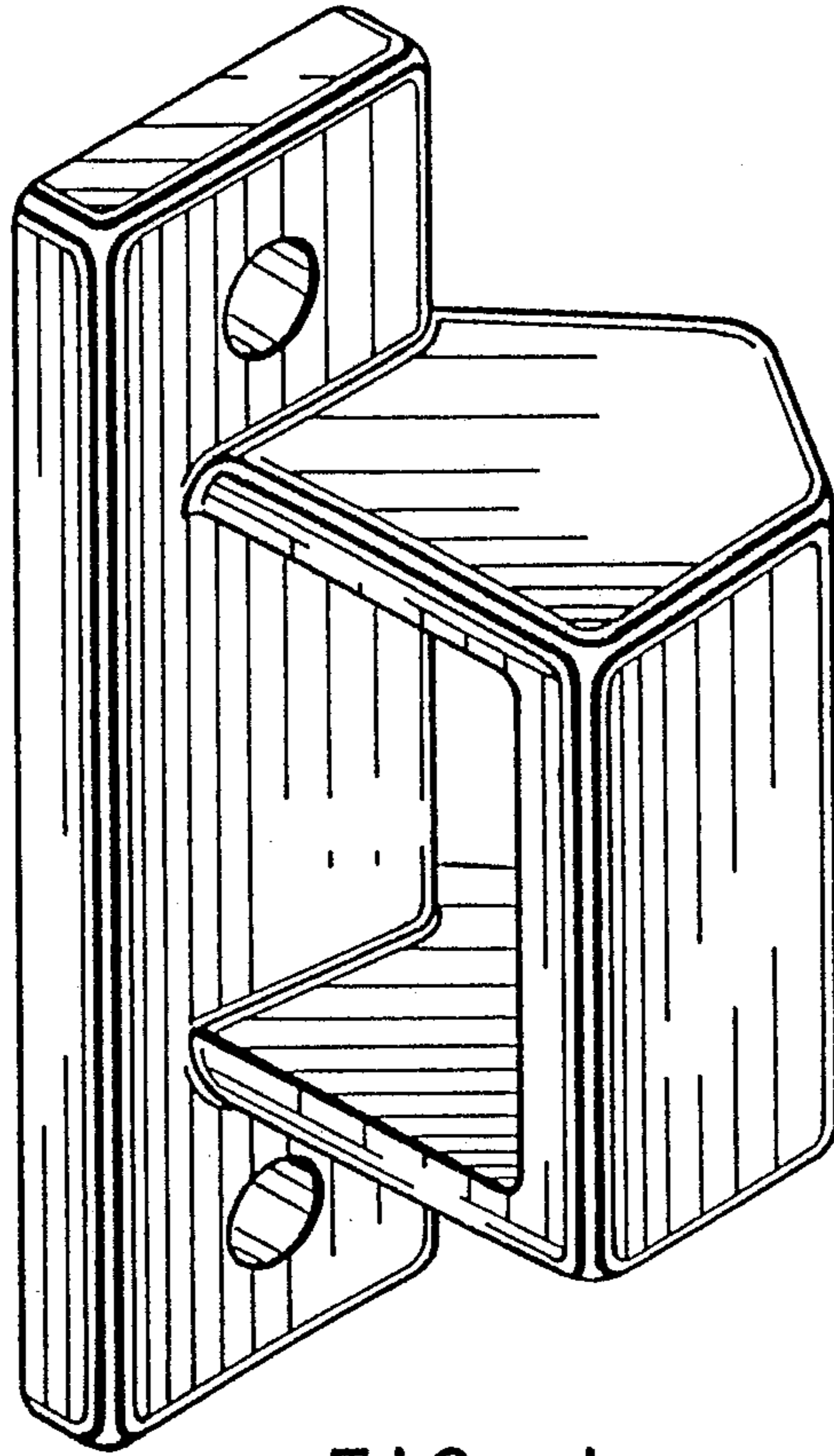


FIG. 1

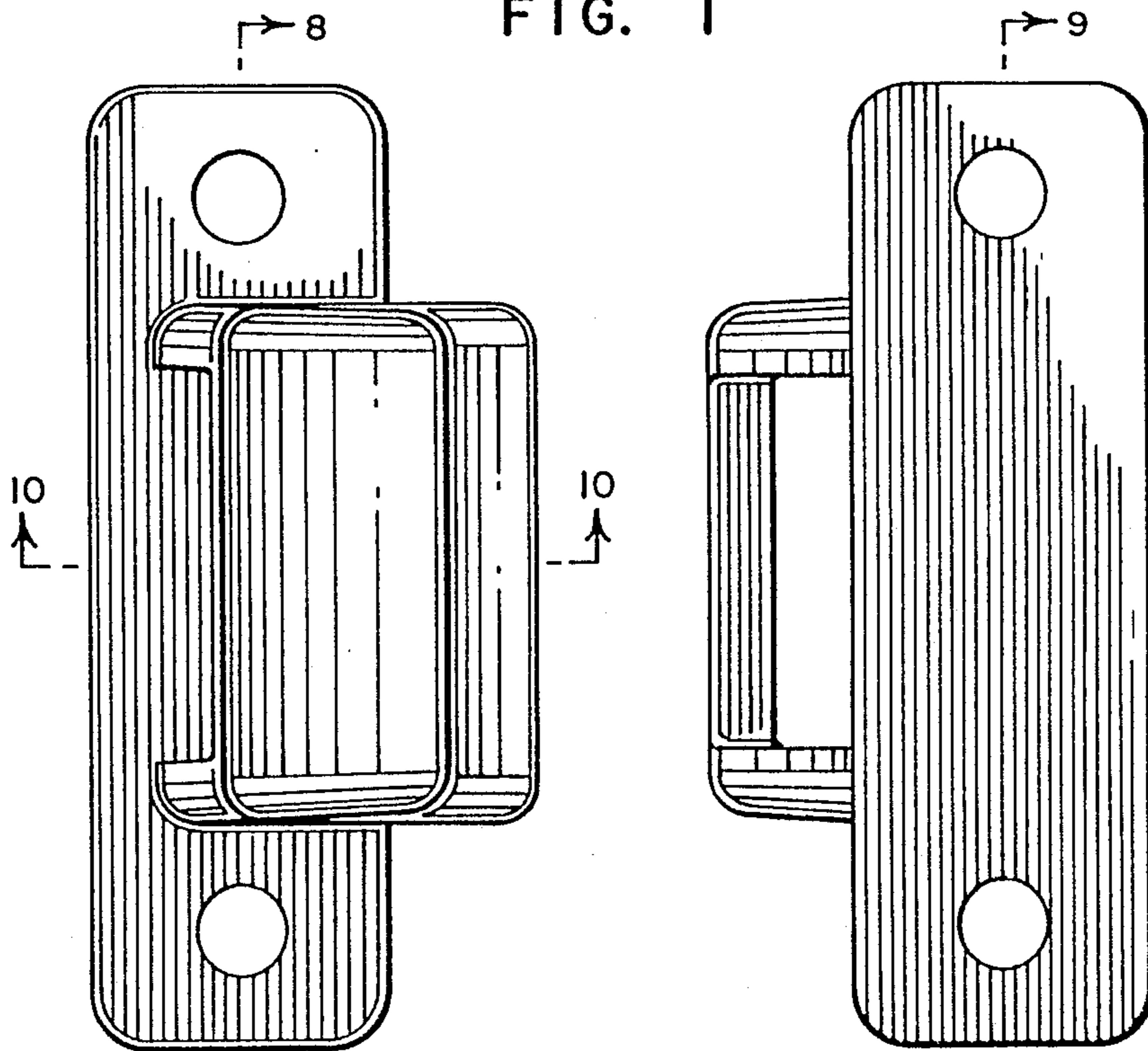


FIG. 2

FIG. 3

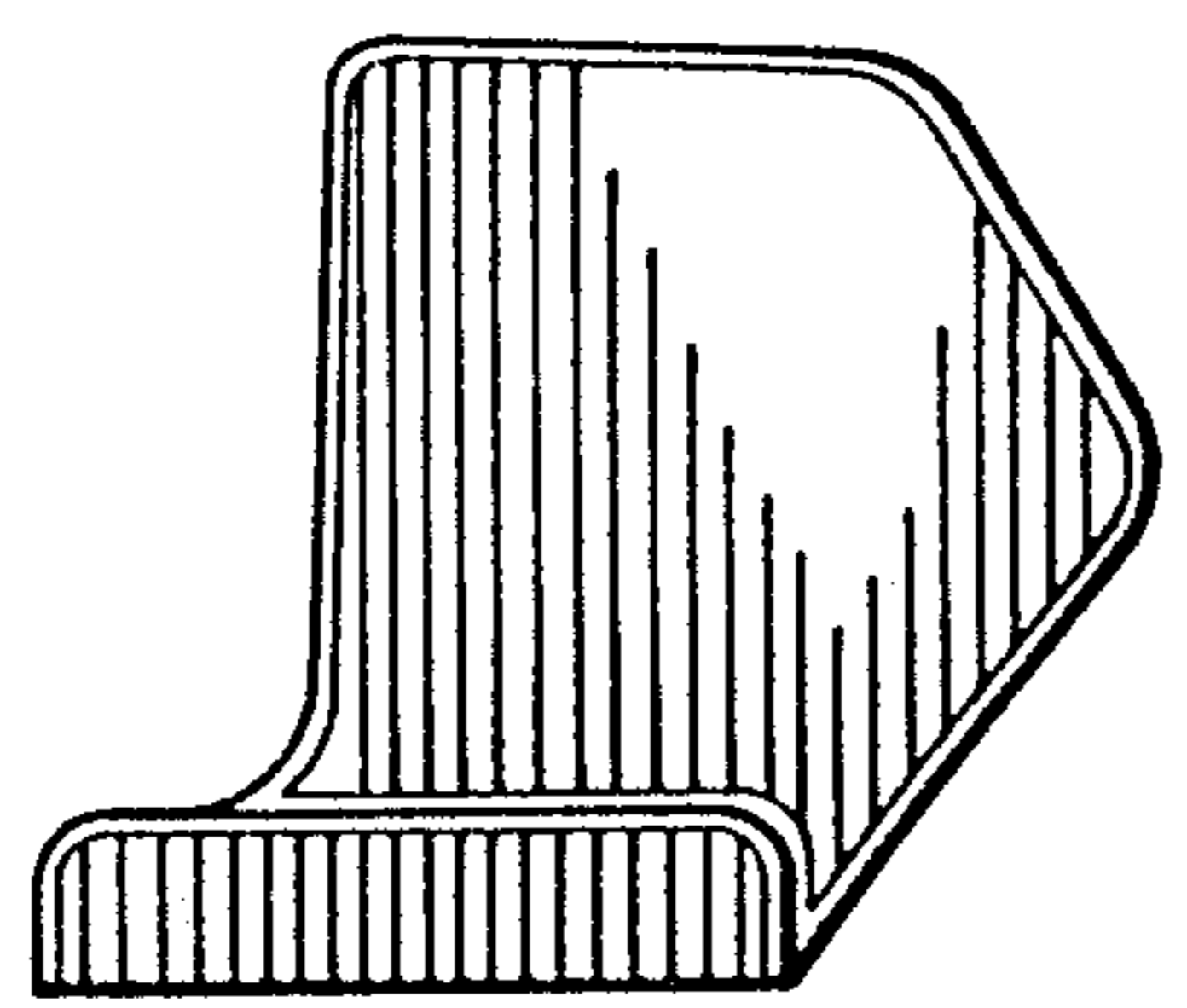


FIG. 4

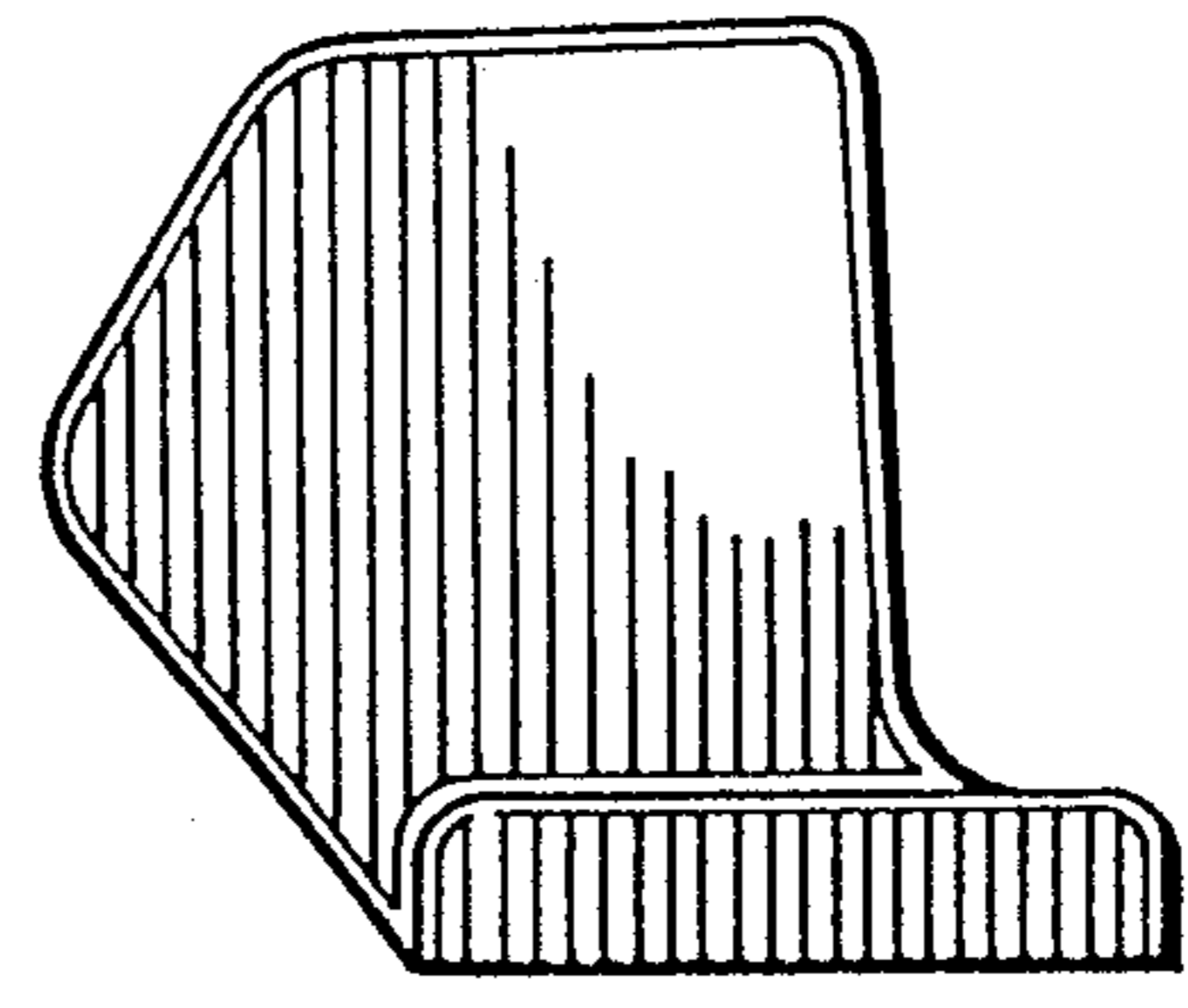


FIG. 5

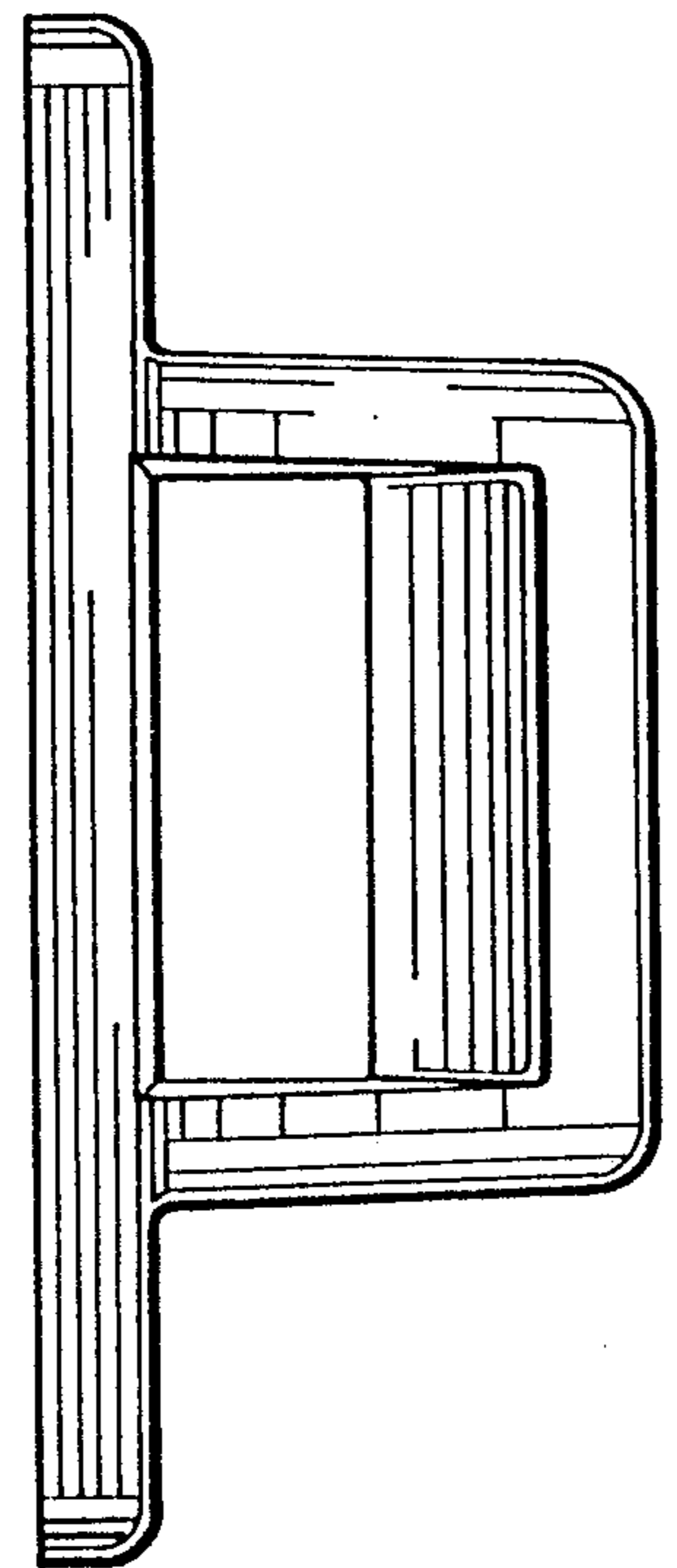


FIG. 6

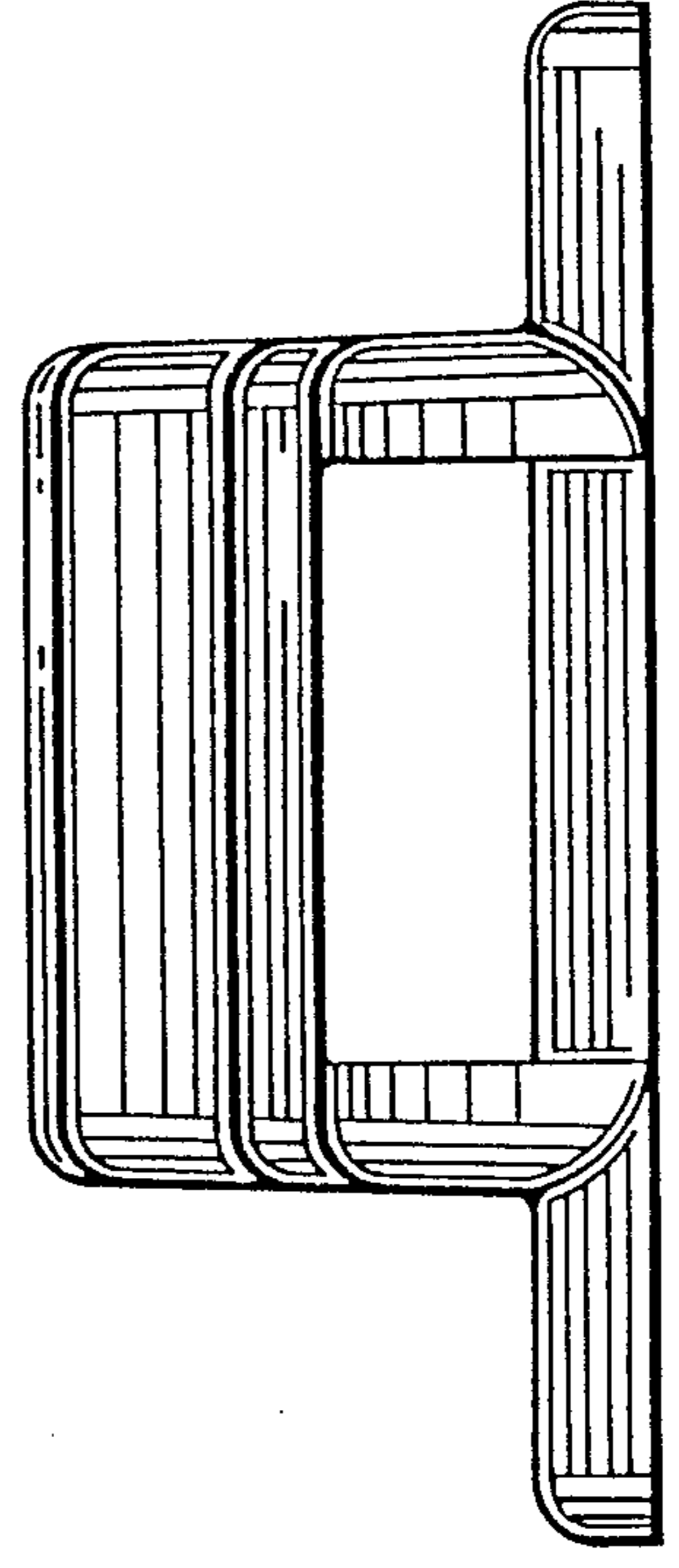


FIG. 7

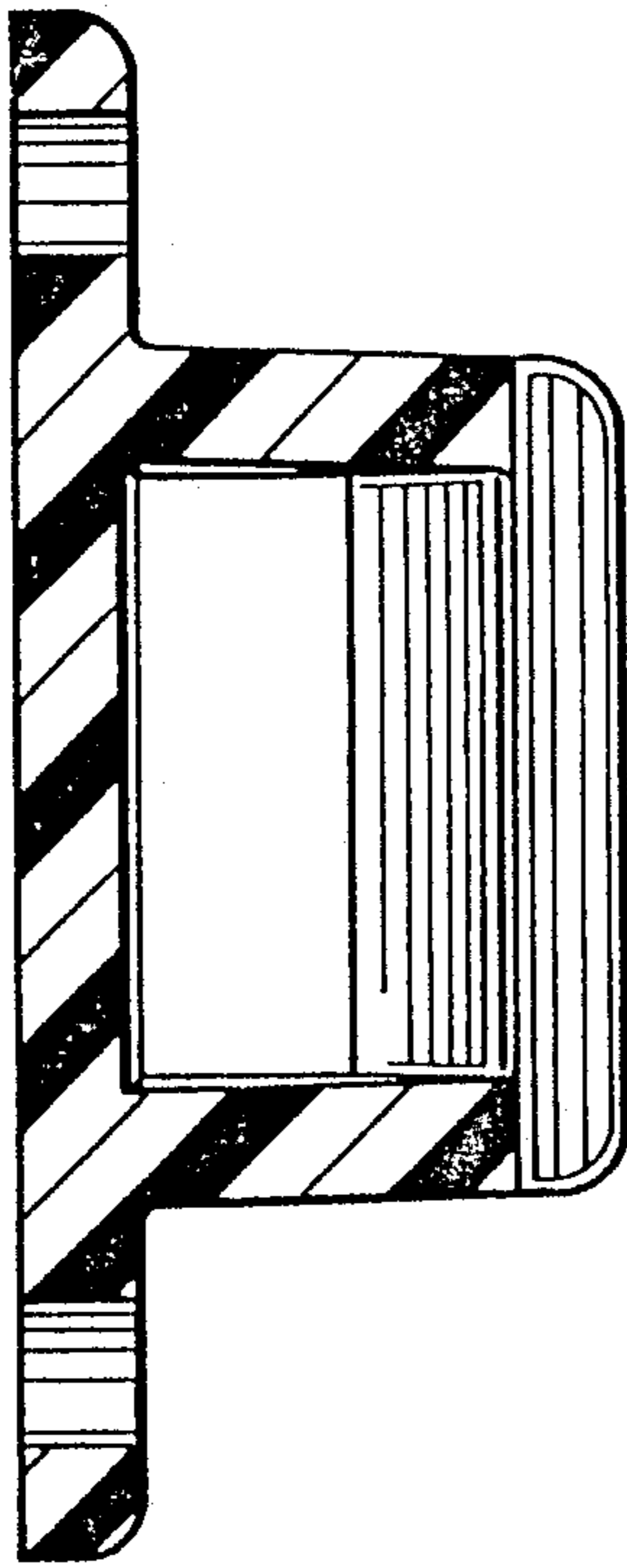


FIG. 8

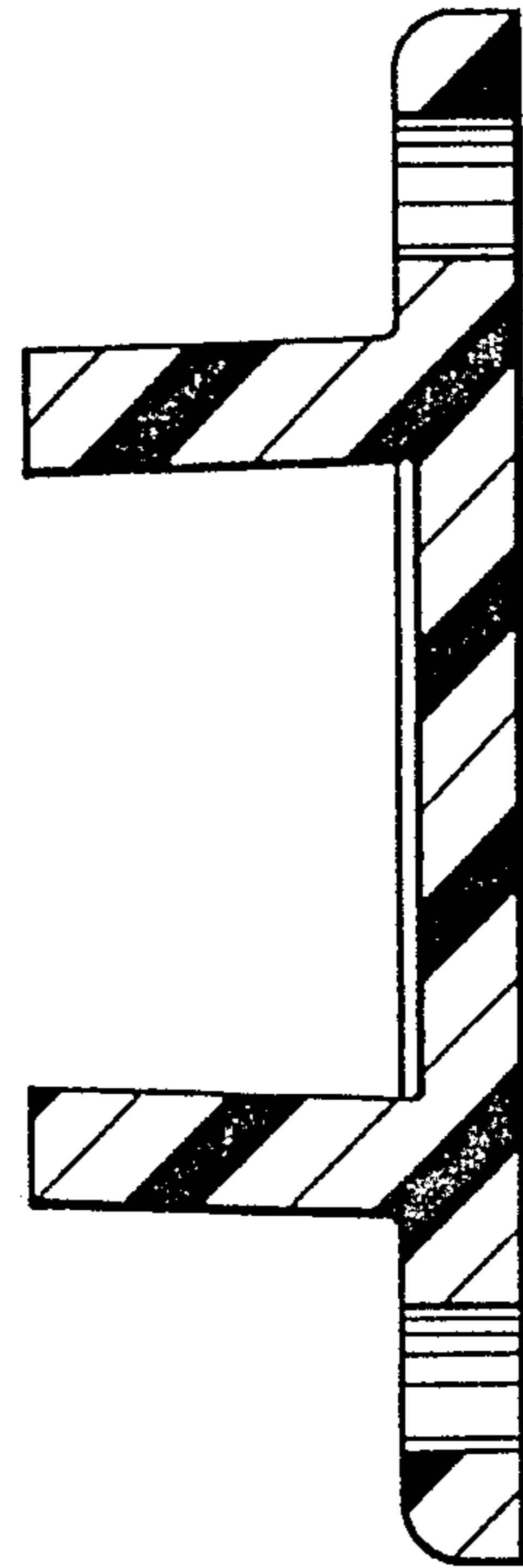


FIG. 9

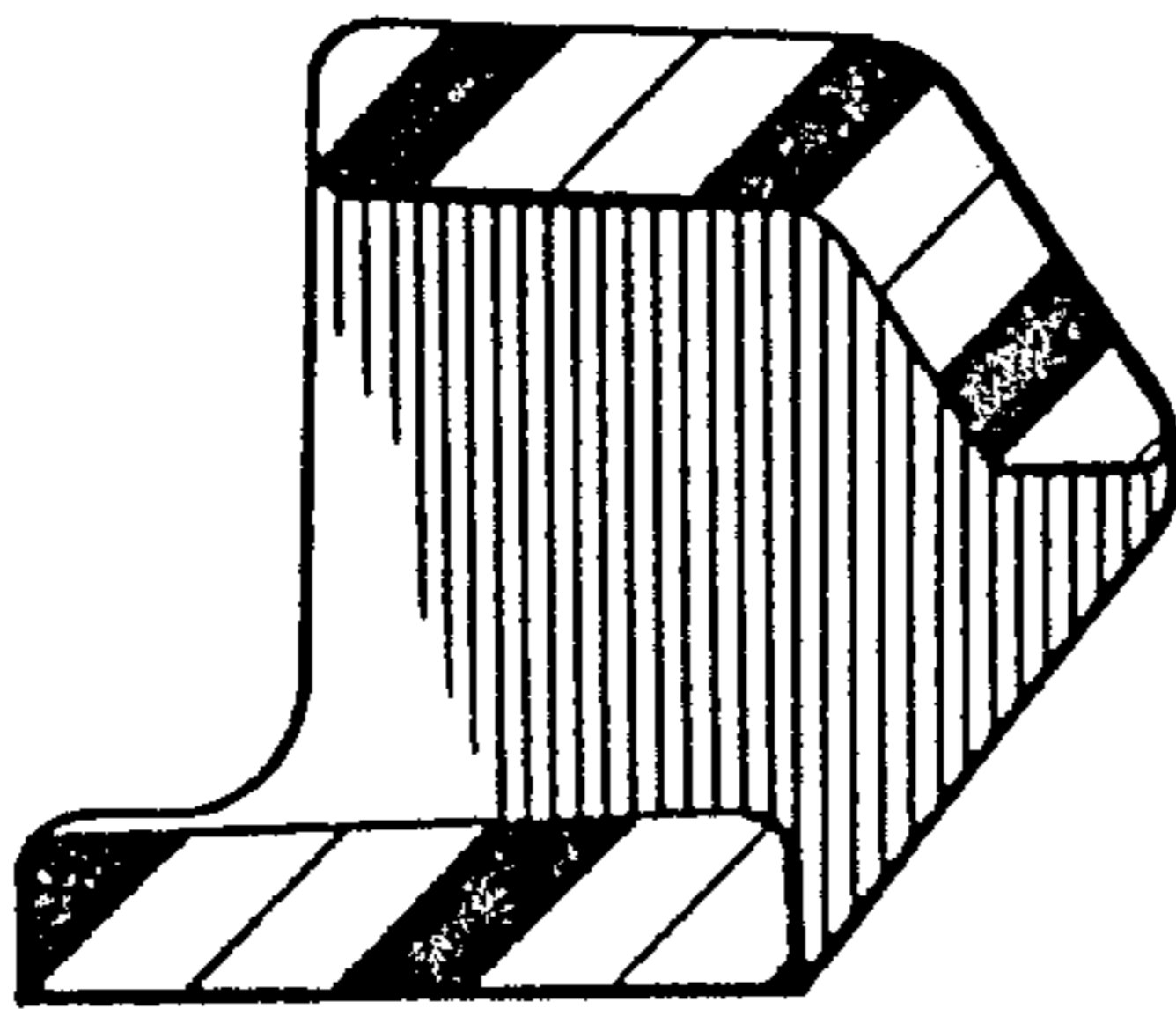


FIG. 10

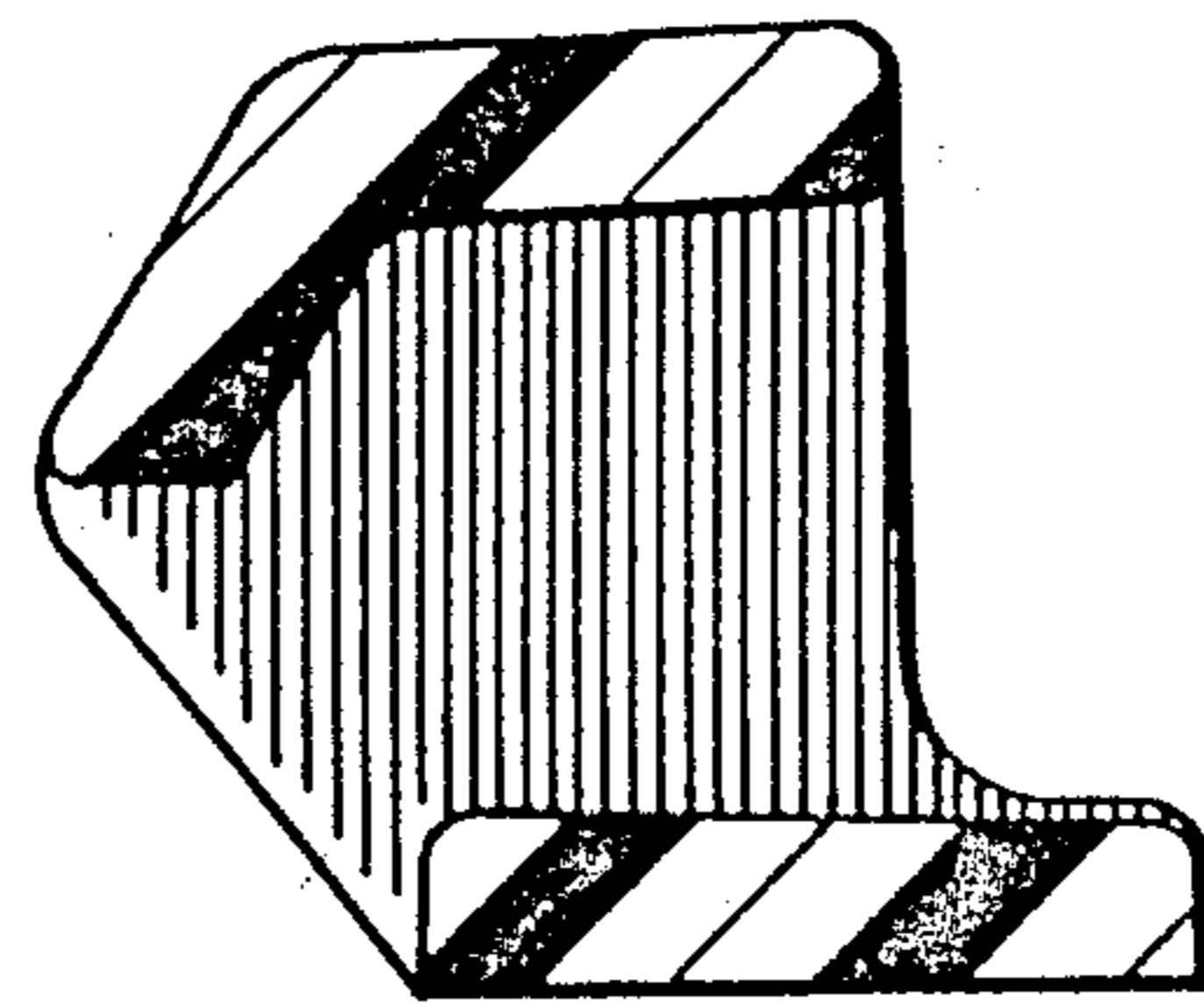


FIG. 12

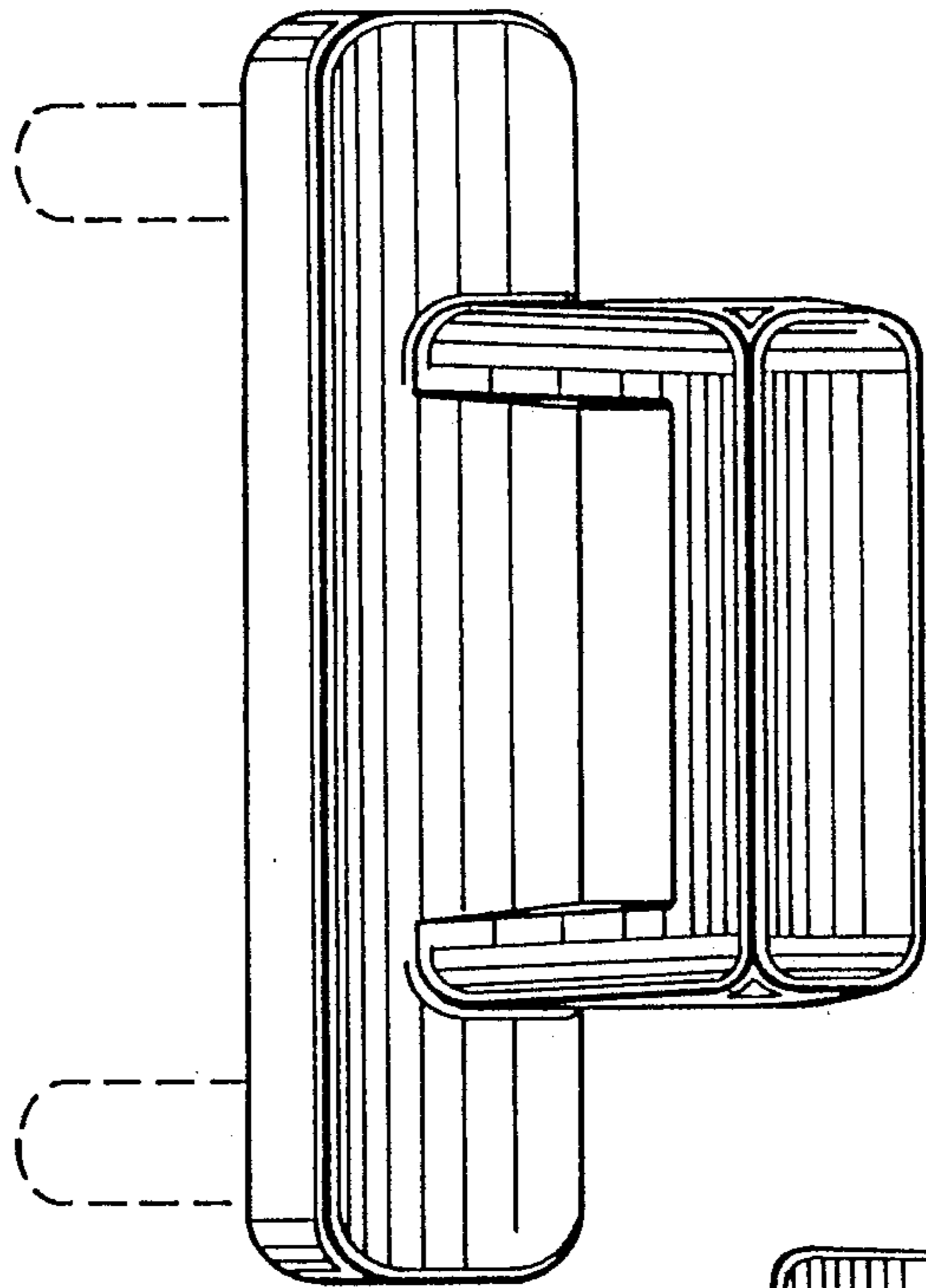


FIG. 11

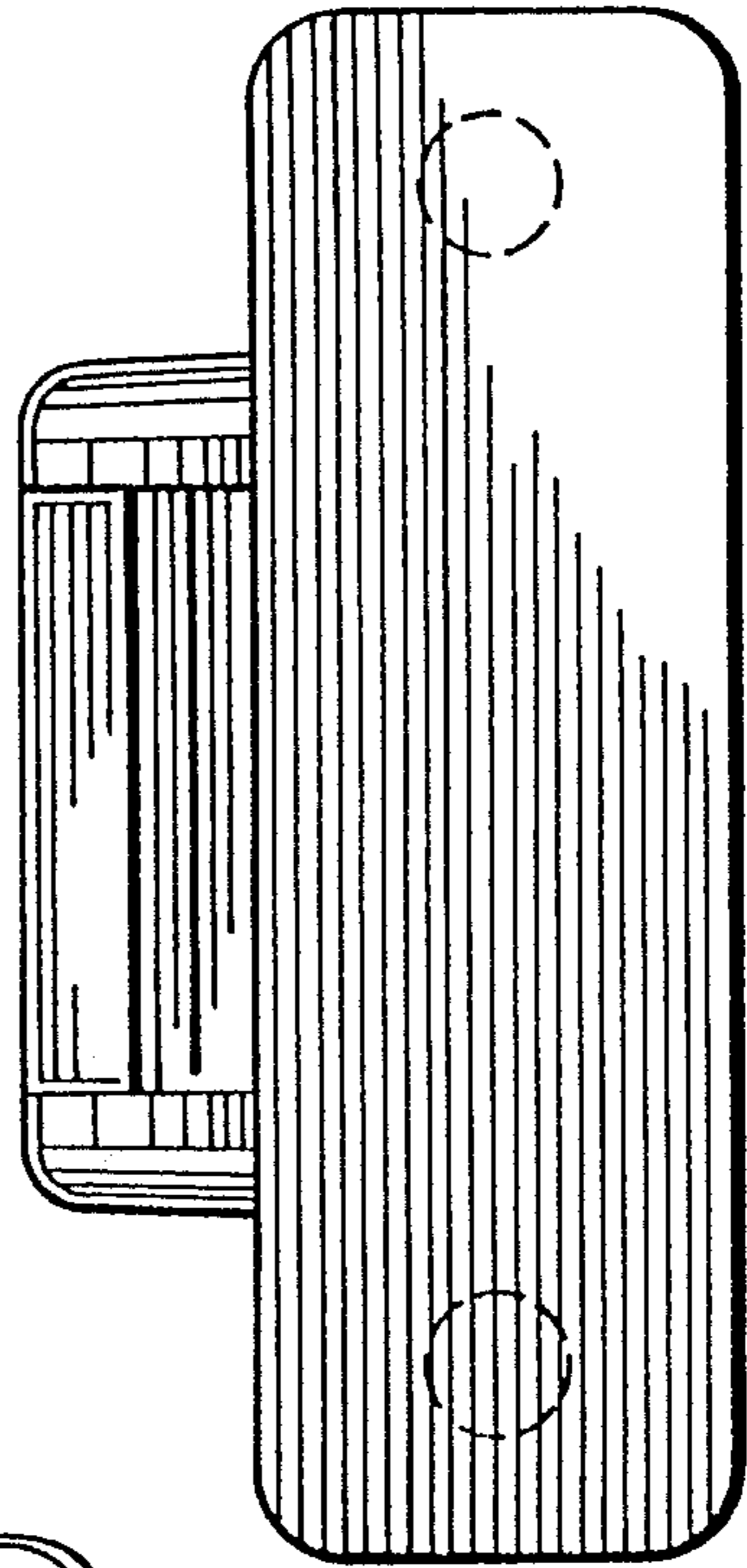


FIG. 12

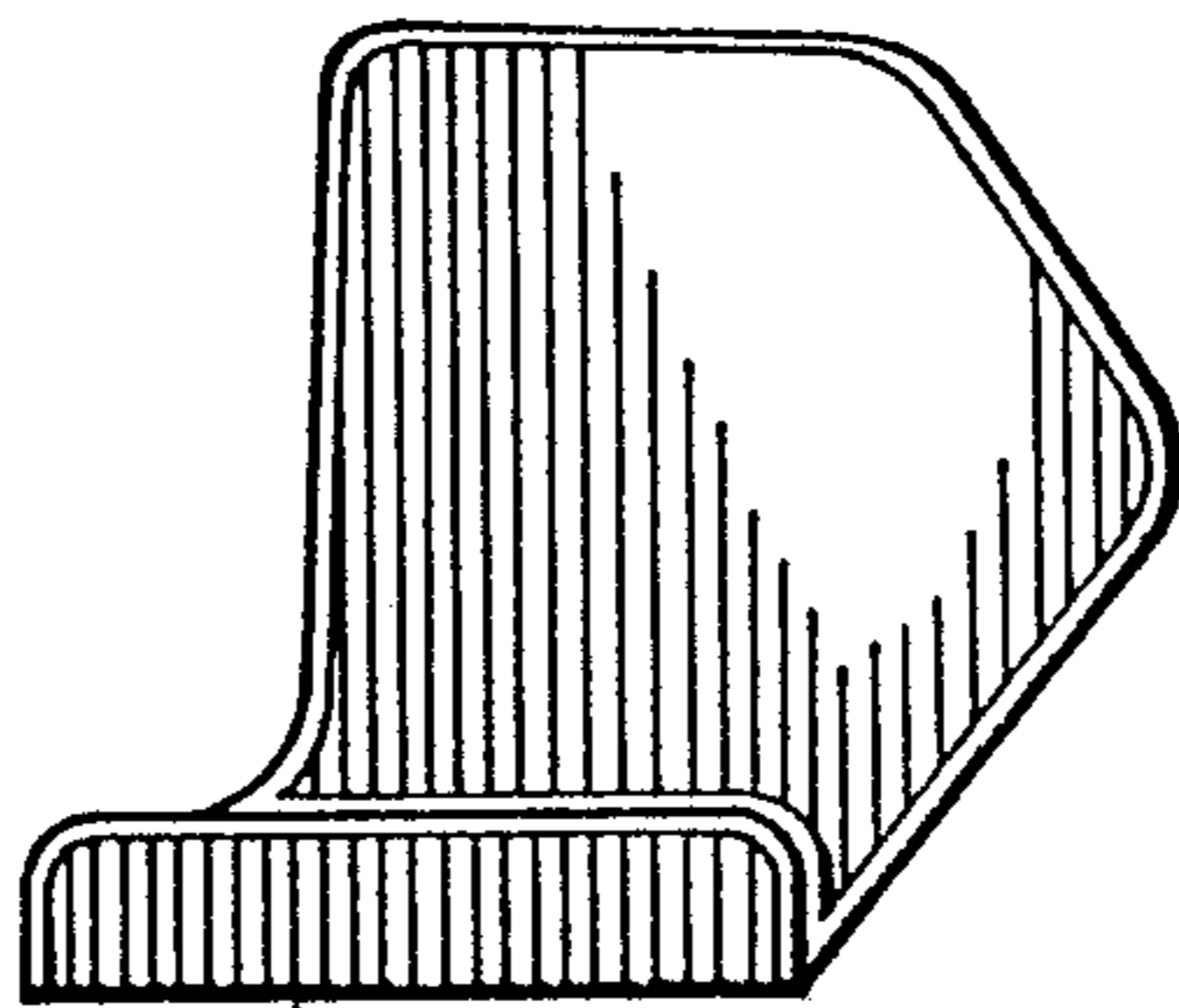


FIG. 13

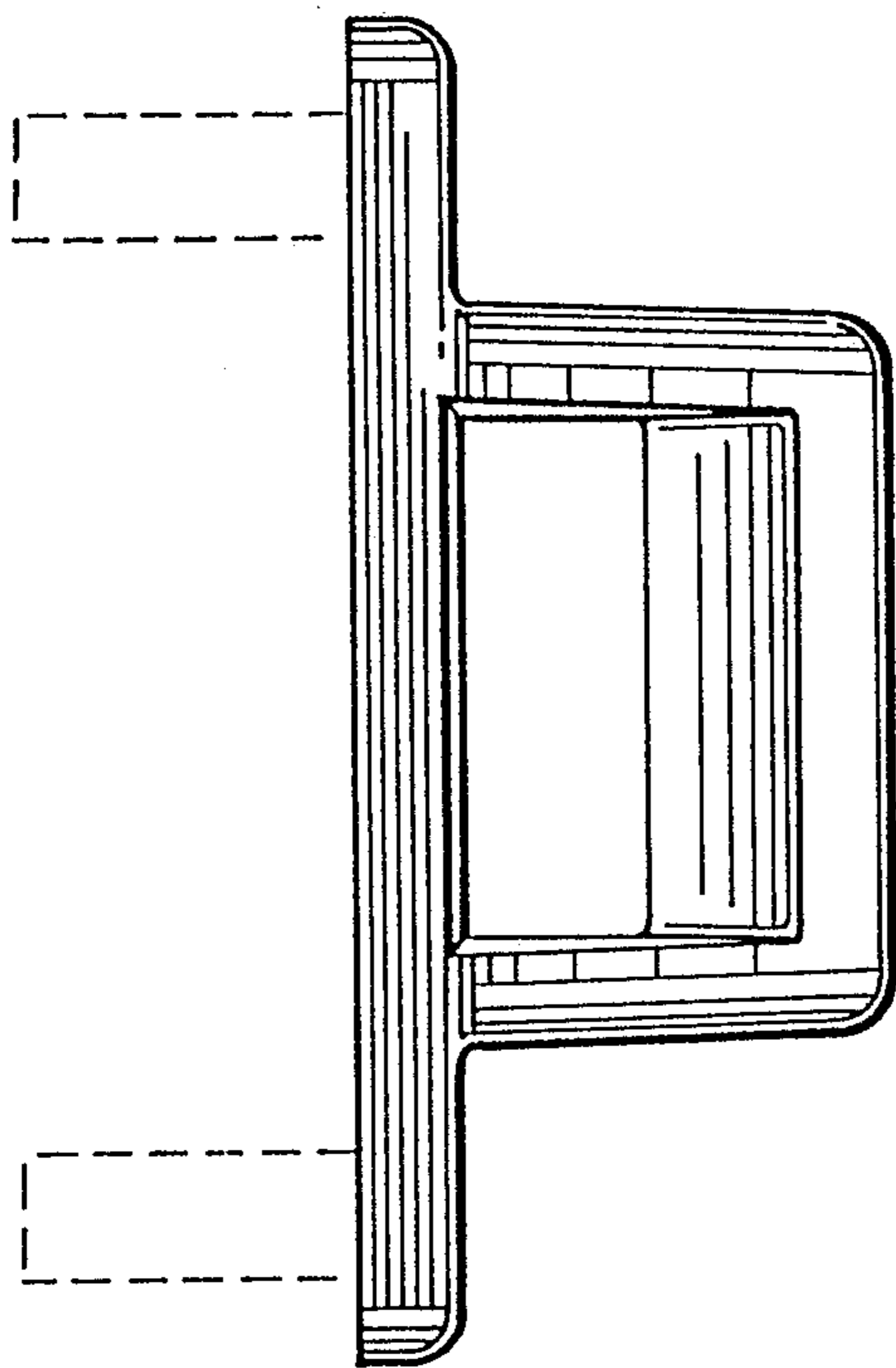


FIG. 14

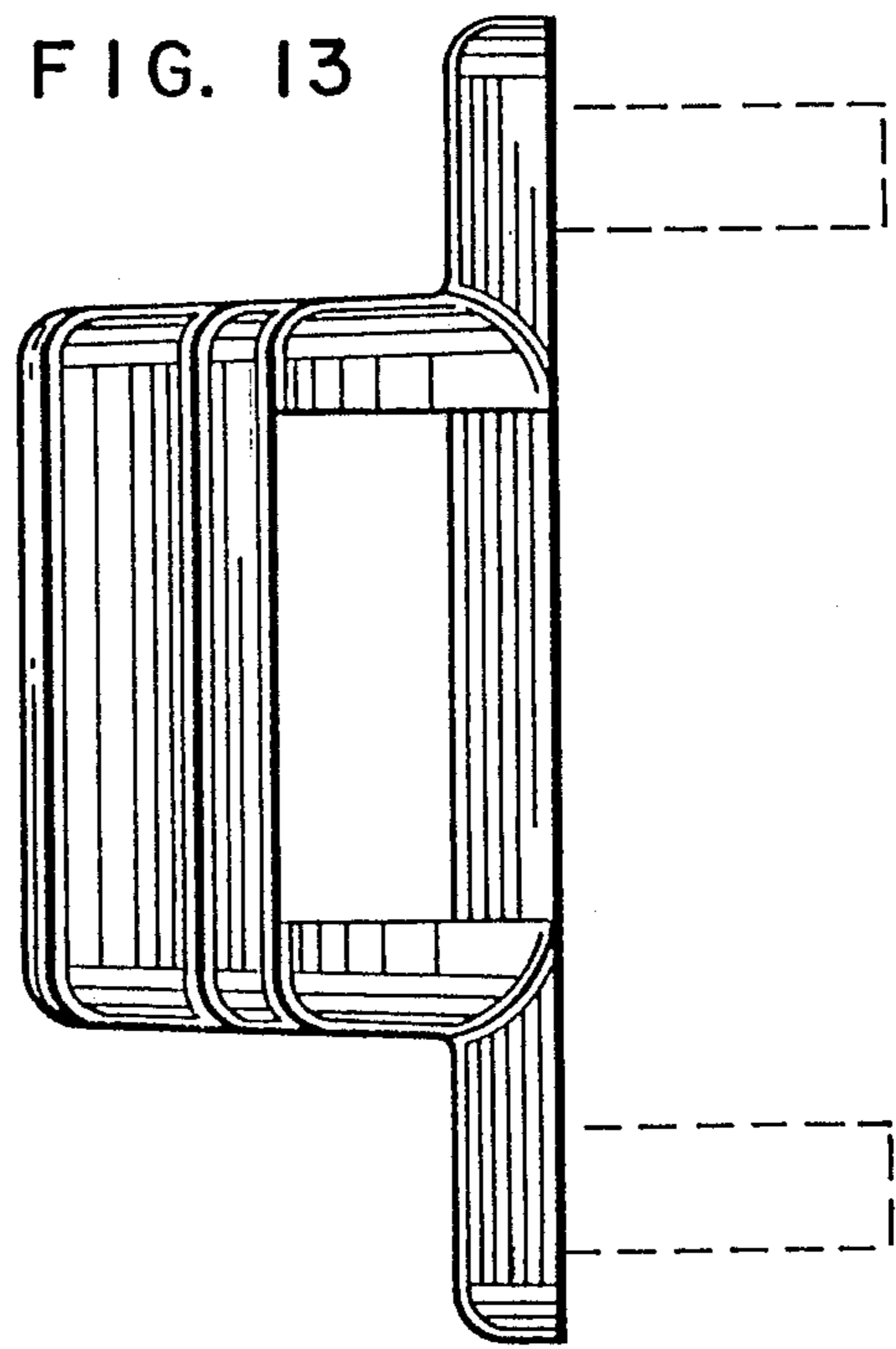


FIG. 15