

United States Patent [19]

Friedman

[11] Patent Number: Des. 303,753

[45] Date of Patent: ** Oct. 3, 1989

[54] EASEL HINGE

[75] Inventor: Abraham Friedman, Brooklyn, N.Y.

[73] Assignee: Starlight Industries, Brooklyn, N.Y.

[**] Term: 14 Years

[21] Appl. No.: 59,276

[22] Filed: Jun. 8, 1987

[52] U.S. Cl. D8/328

[58] Field of Search D8/323, 327, 328, 329;
16/221, 282, 384, 387, 388, 389, 390

[56] **References Cited**

U.S. PATENT DOCUMENTS

D. 272,040	1/1984	Scanlan	D8/327
D. 279,255	6/1985	Roy	D8/327
D. 284,931	8/1986	Bisbing	D8/327

2,648,486	8/1953	Young	16/388
3,100,073	8/1963	Roy	D8/328

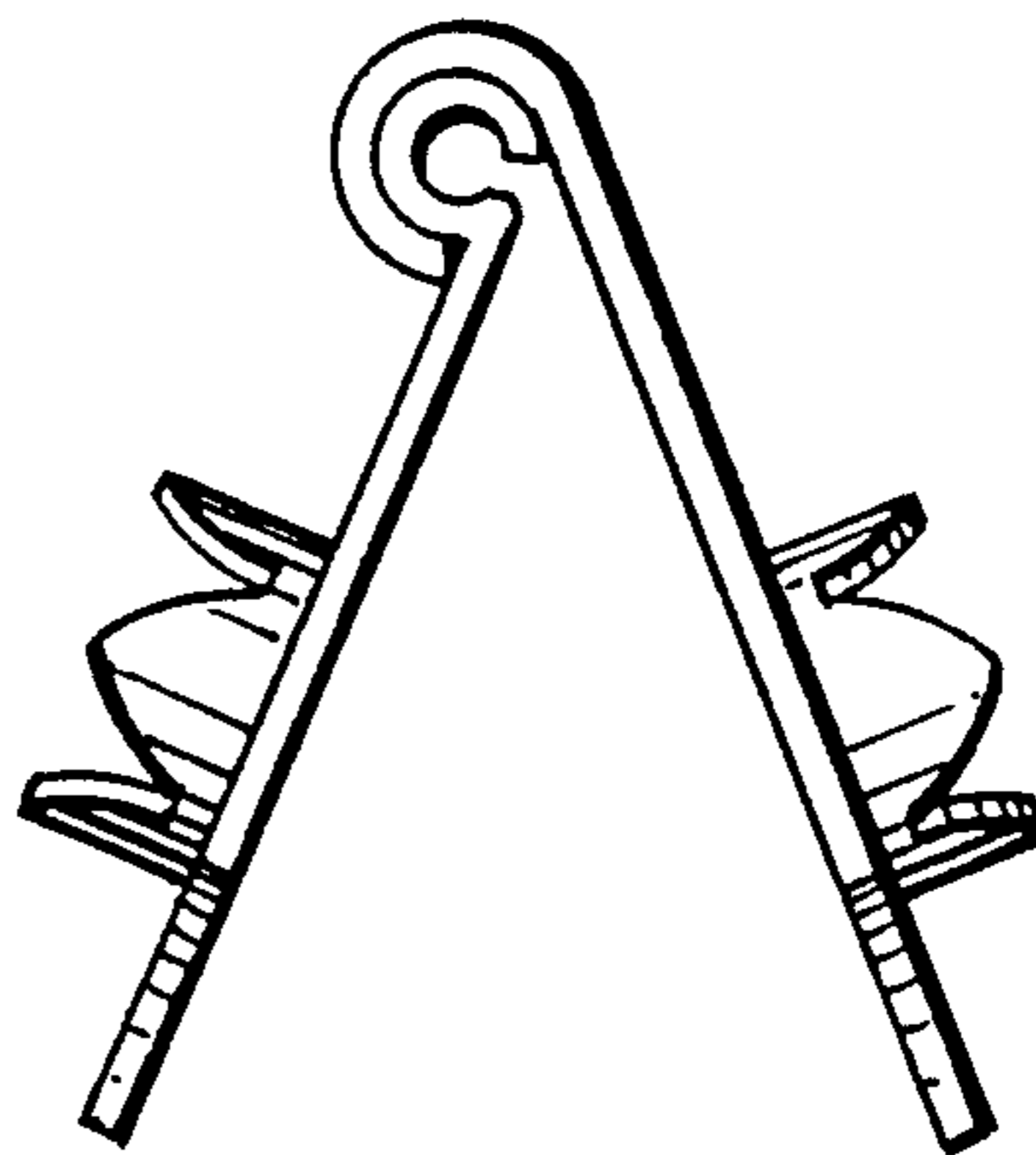
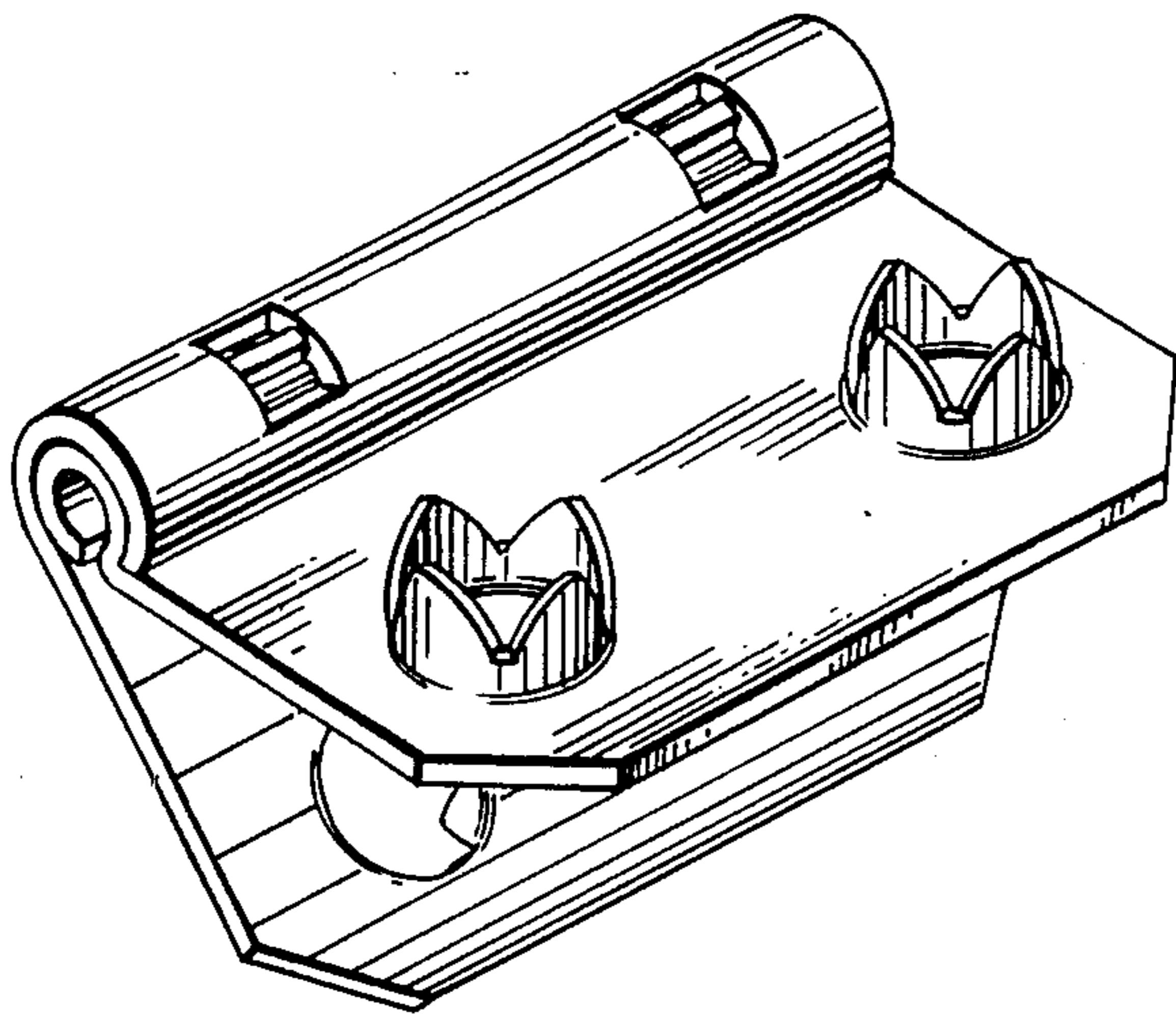
Primary Examiner—B. J. Bullock
Attorney, Agent, or Firm—Helfgott & Karas

[57] **CLAIM**

The ornamental design for an easel hinge, as shown and described.

DESCRIPTION

FIG. 1 is a perspective view of an easel hinge showing my new design, in an open position;
FIG. 2 is a perspective view in a closed position;
FIG. 3 is a front view thereof;
FIG. 4 is a rear view thereof;
FIG. 5 is a right side view thereof;
FIG. 6 is a left side view thereof;
FIG. 7 is a top view thereof;
FIG. 8 is a bottom view thereof.



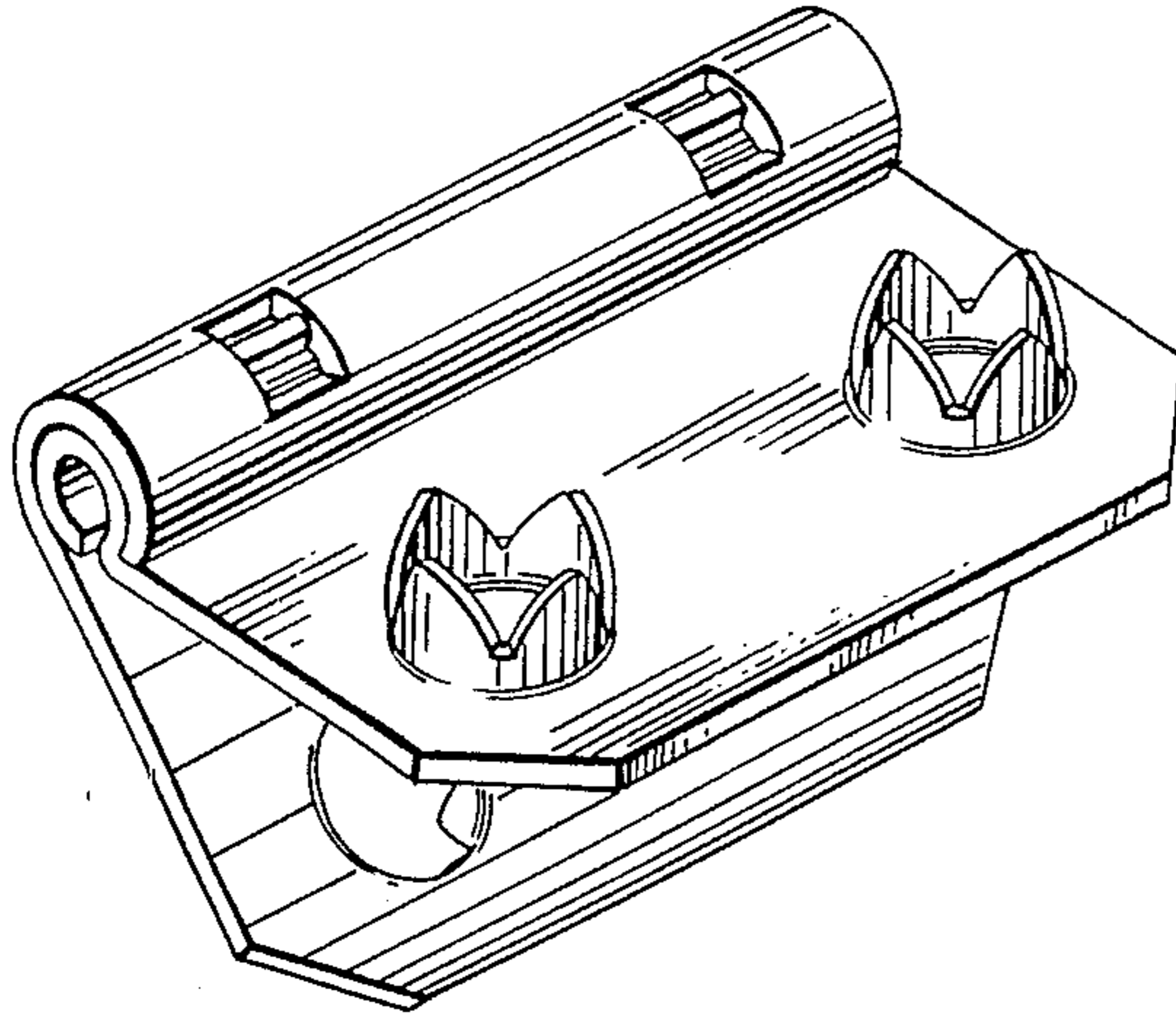


FIG. 1

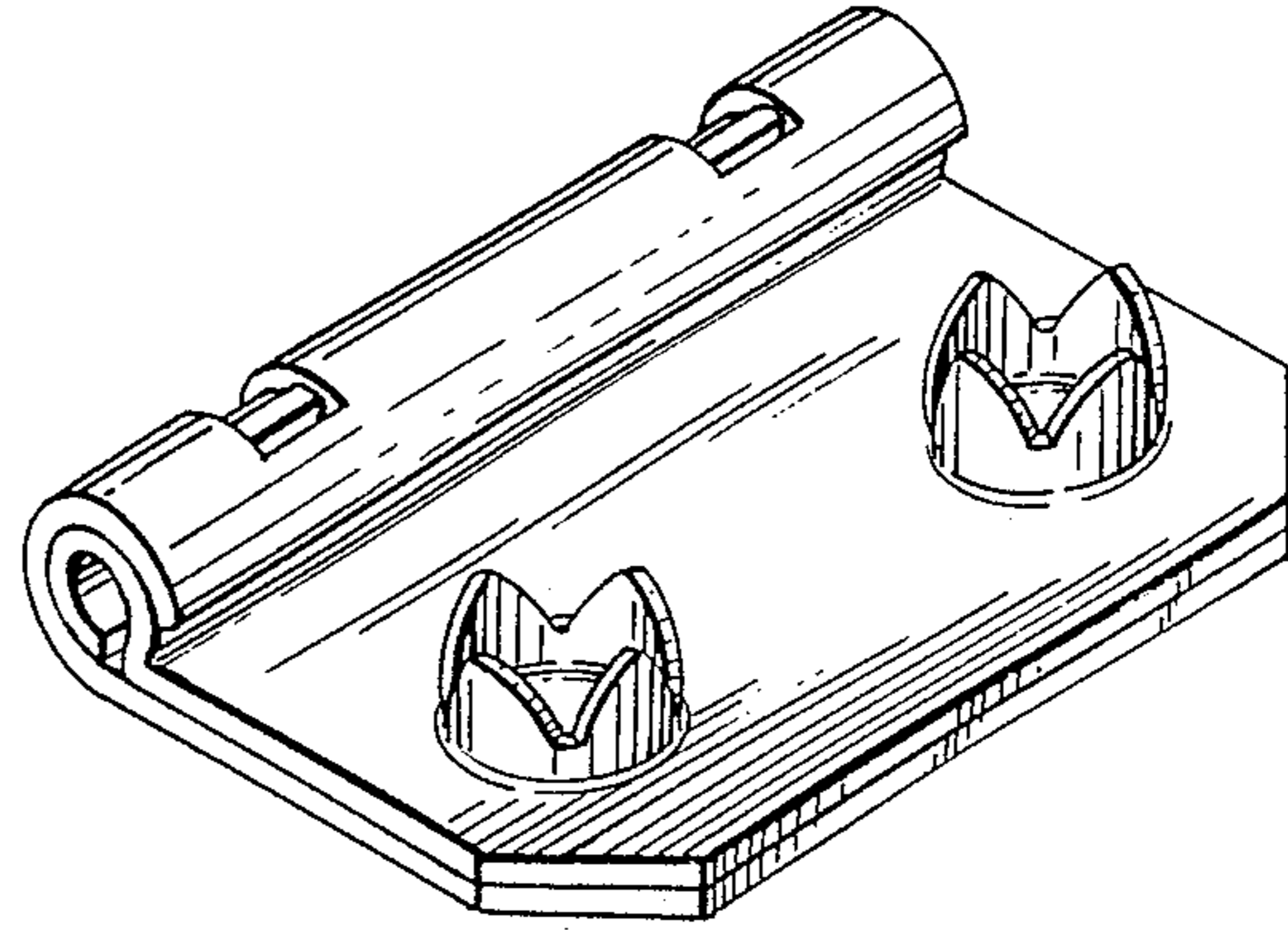


FIG. 2

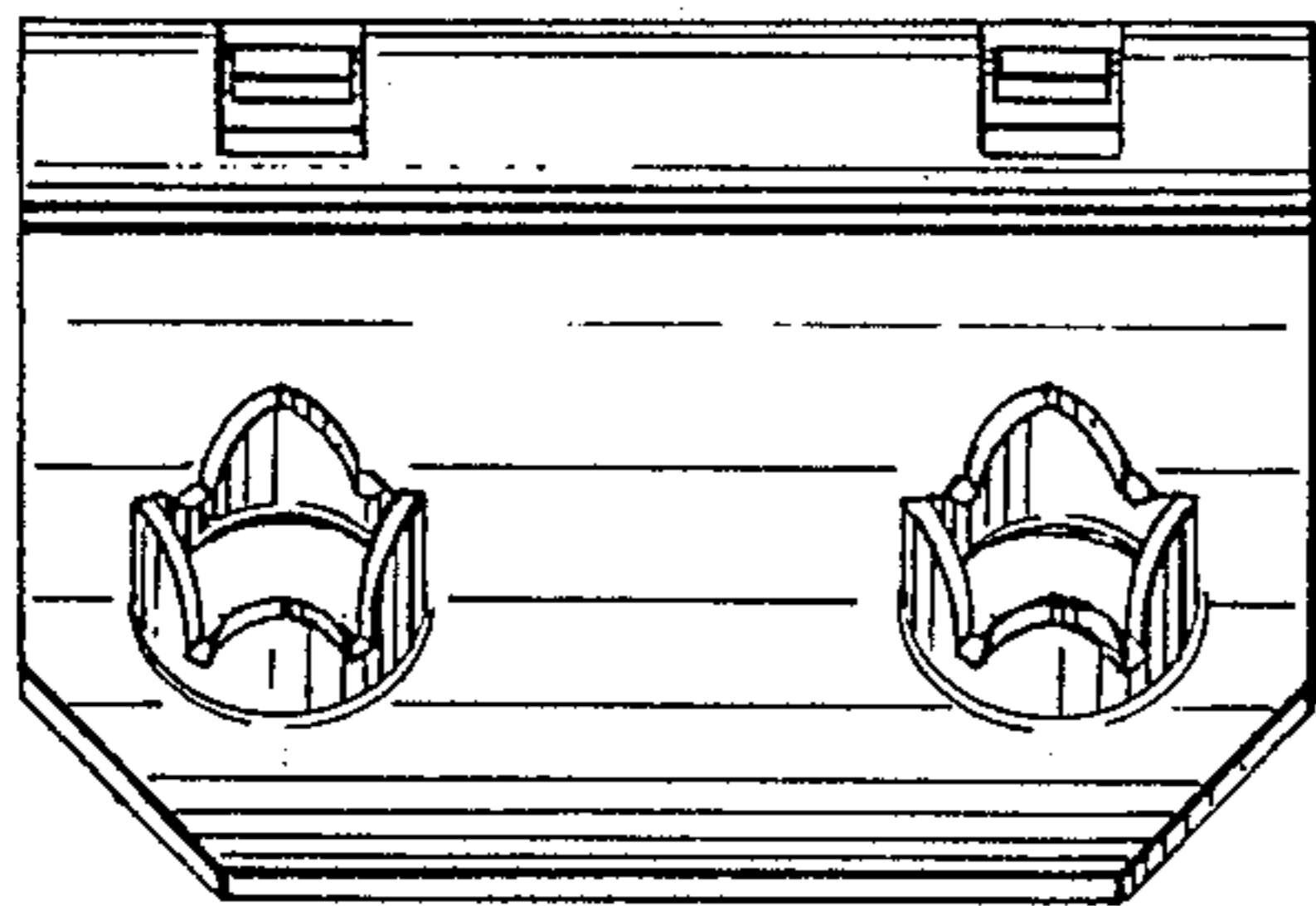


FIG. 3

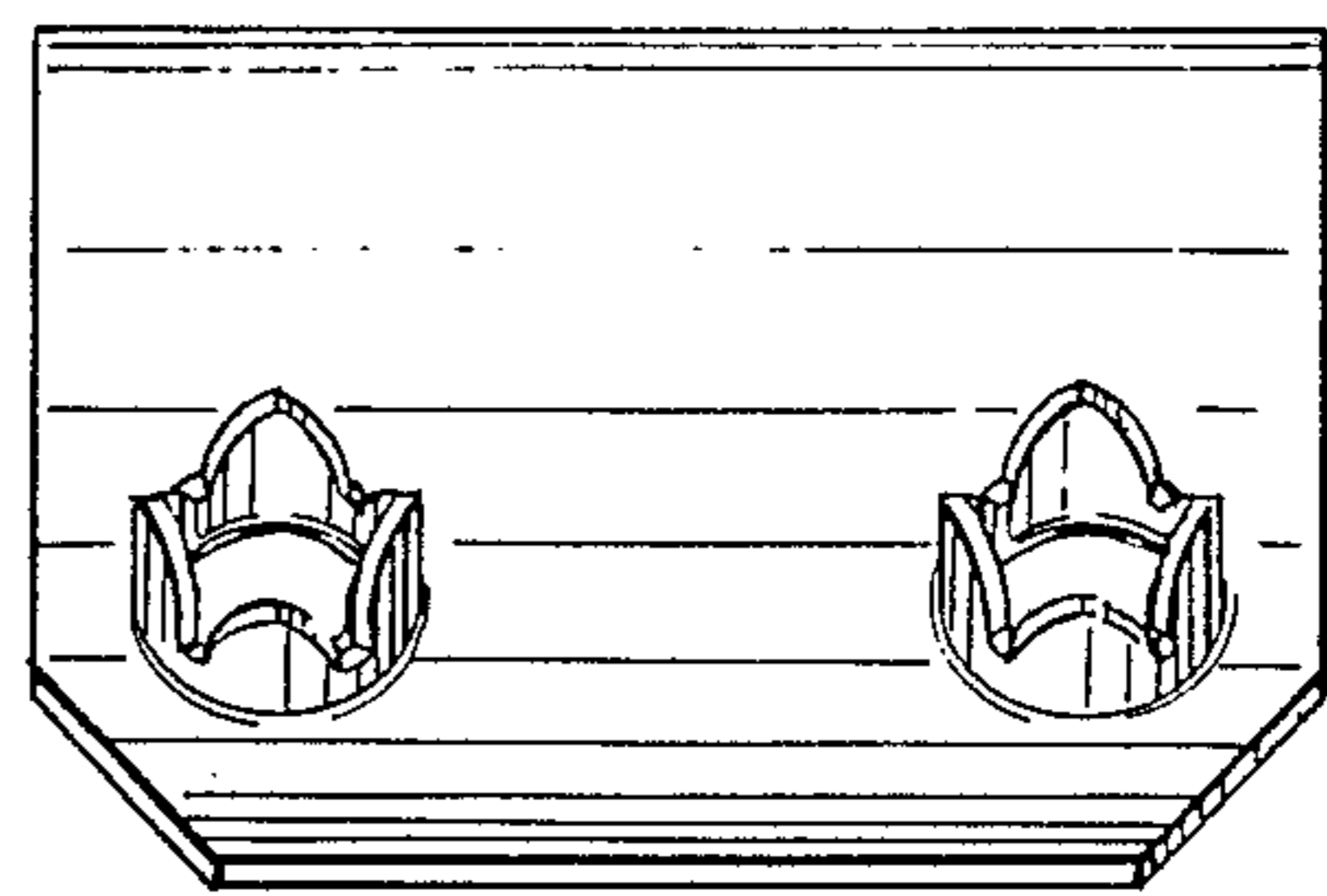


FIG. 4

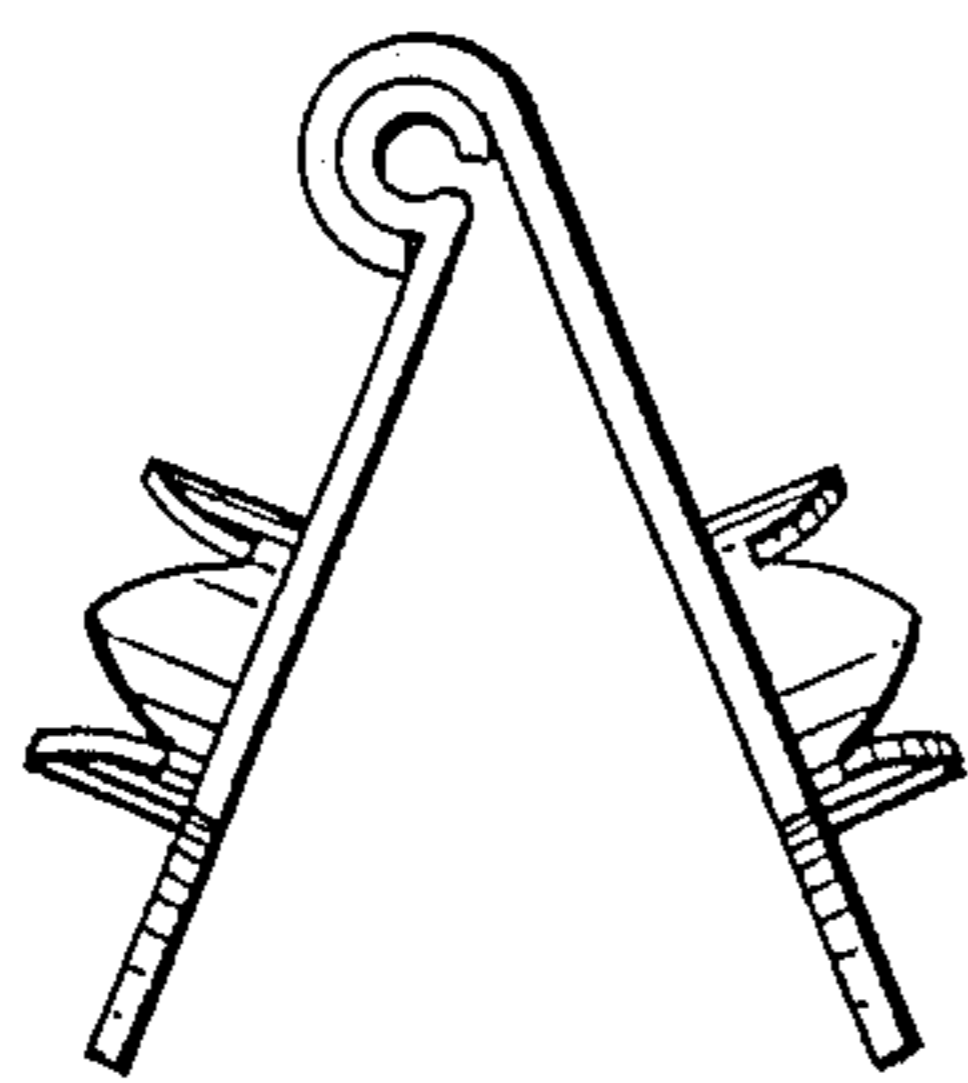


FIG. 5

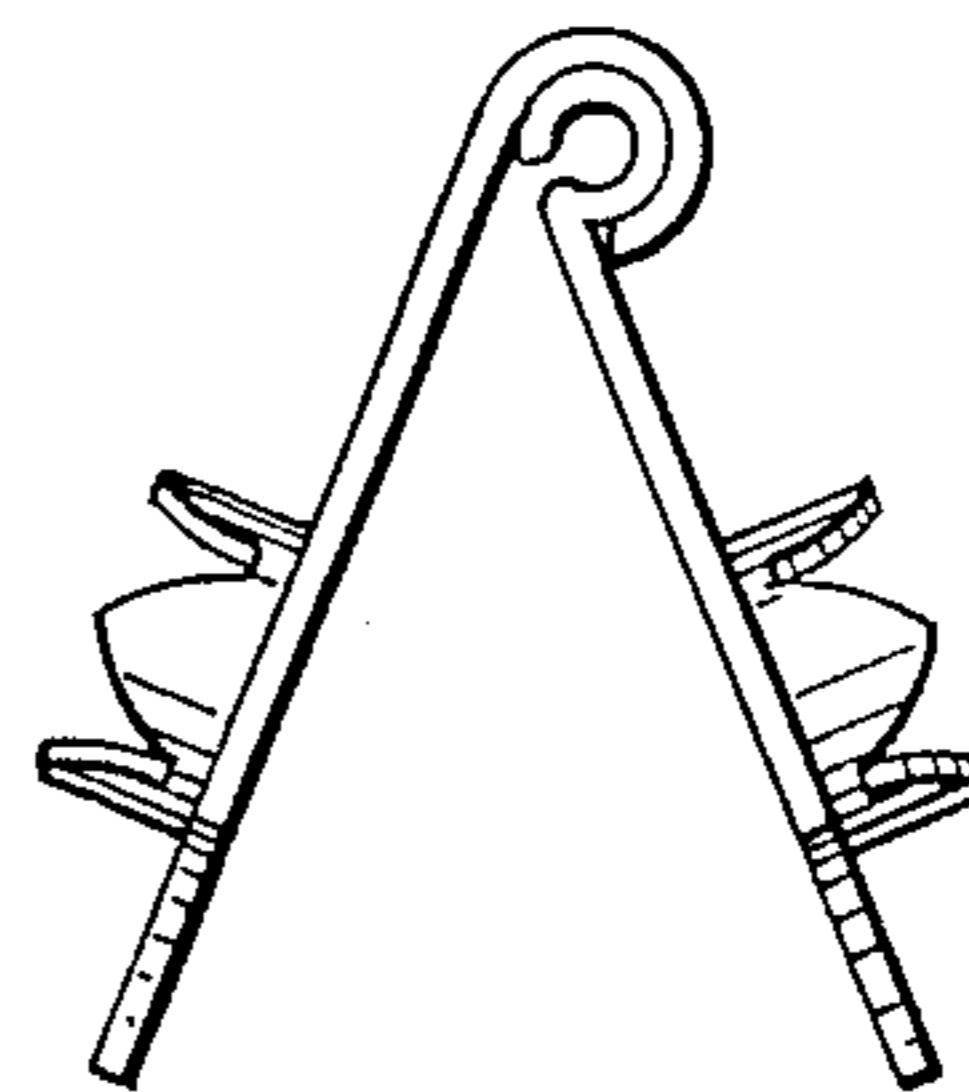


FIG. 6

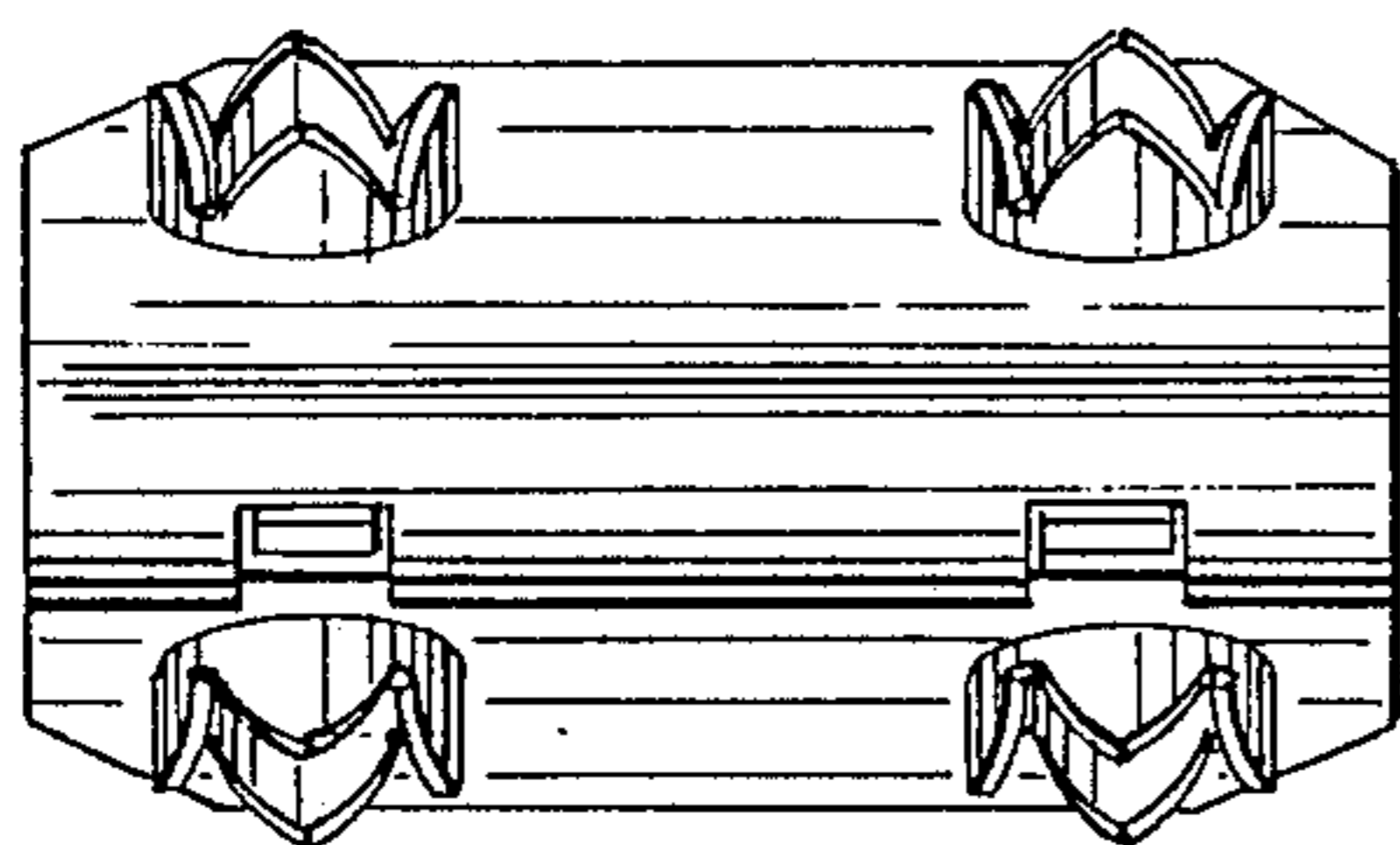


FIG. 7

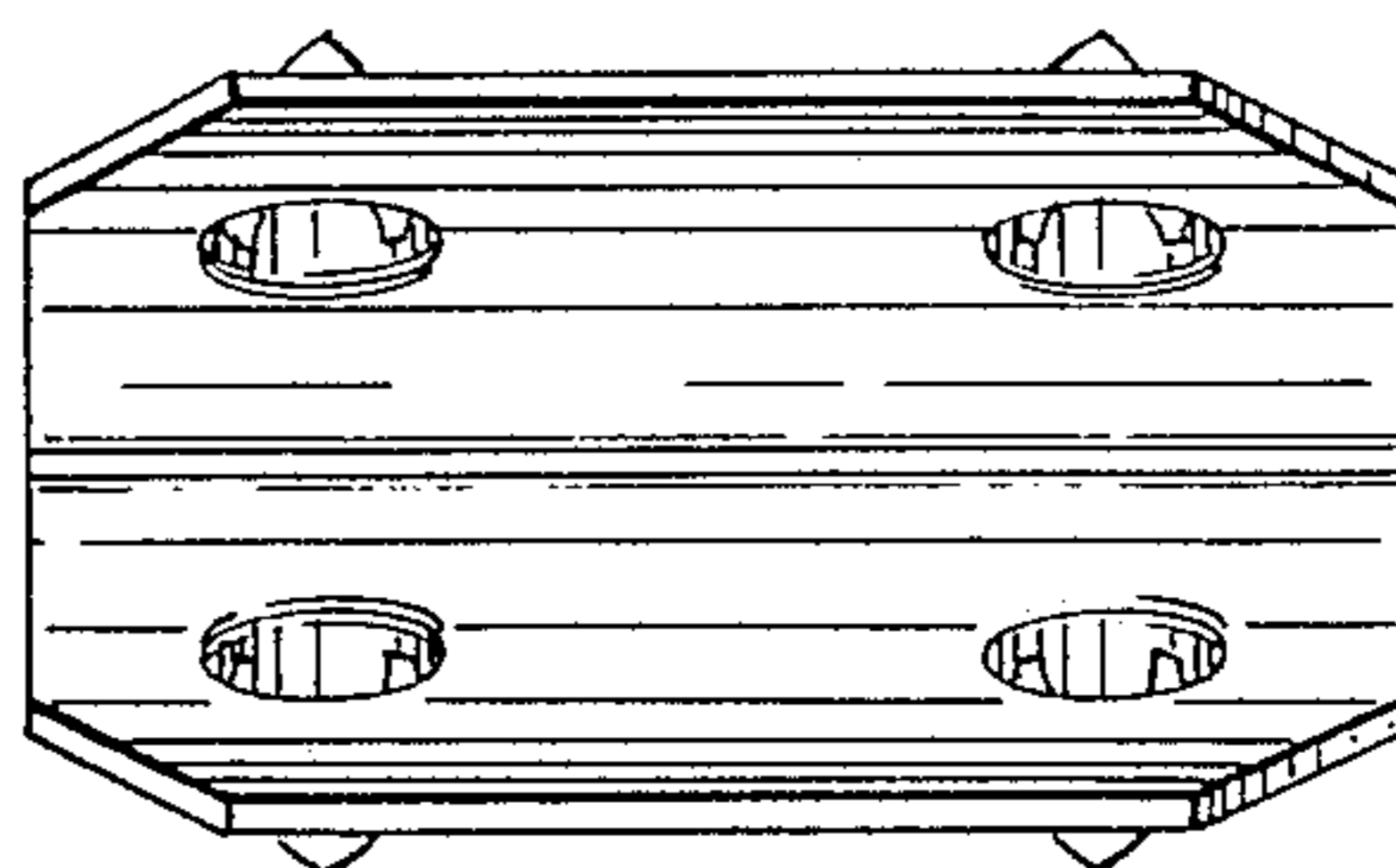


FIG. 8