

[54] **MICROWAVE OVEN**

[75] **Inventor: Norman A. Steinkamp, La Grange Park, Ill.**

[73] **Assignee: Sunbeam Corporation, Downers Grove, Ill.**

[**] **Term: 14 Years**

[21] **Appl. No.: 28,161**

[22] **Filed: Mar. 18, 1987**

[52] **U.S. Cl. D7/351**

[58] **Field of Search D7/350, 351;
219/10.55 R, 10.55 A-10.55 D, 10.55 F**

[56] **References Cited**

U.S. PATENT DOCUMENTS

- D. 281,139 10/1985 Fuji et al. D7/351
- D. 297,392 8/1988 Han D7/351

- D. 297,698 9/1988 Nishikawa et al. D7/351
- 2,898,437 8/1959 McFarland D7/350

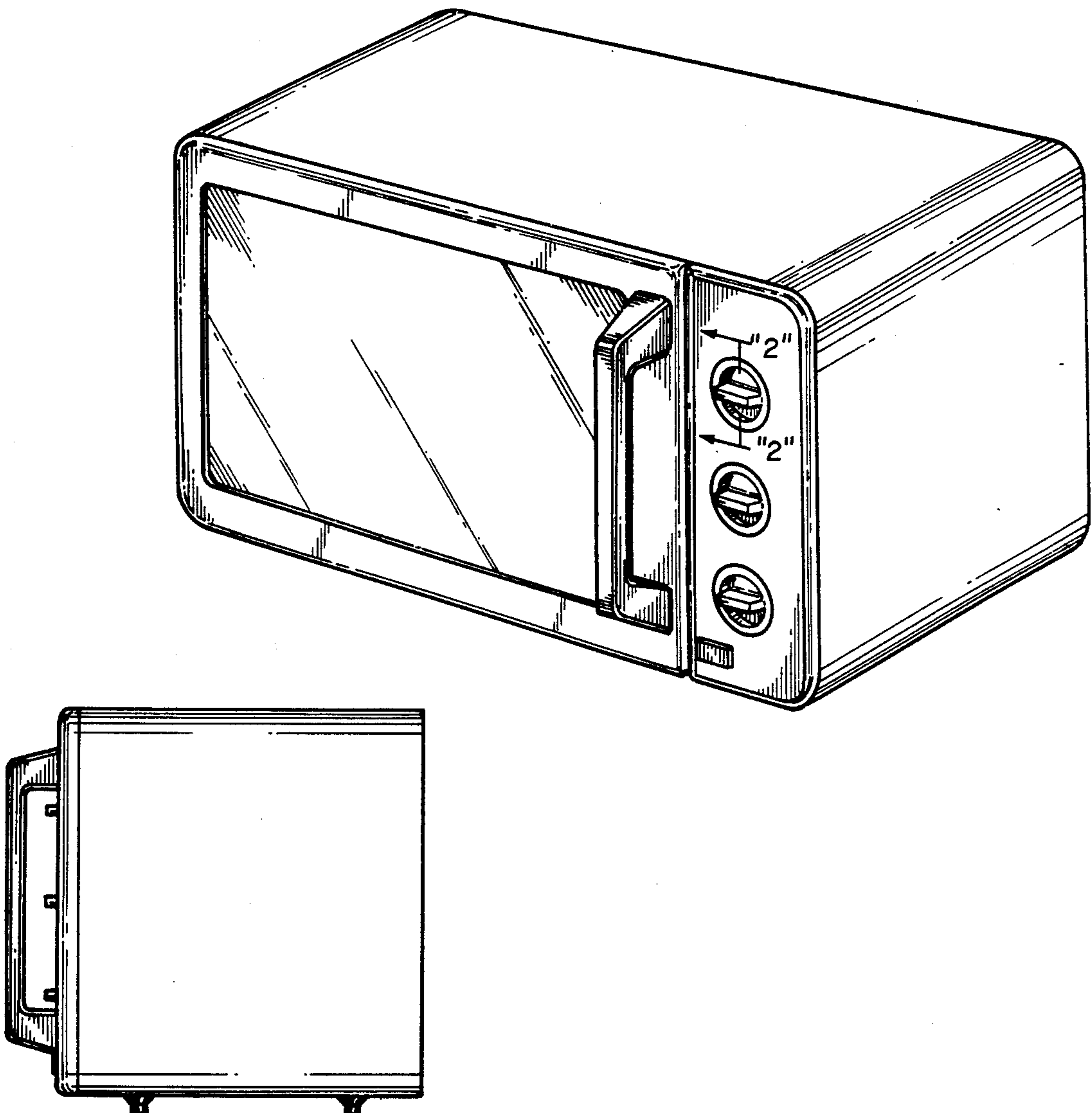
Primary Examiner—Bruce W. Dunkins
Assistant Examiner—Ruth Takemoto
Attorney, Agent, or Firm—Neil M. Rose

[57] **CLAIM**

The ornamental design for a microwave oven, as shown.

DESCRIPTION

FIG. 1 is a front perspective view of a microwave oven showing my new design;
FIG. 2 is an enlarged fragmentary sectional view taken on line 2—2 of FIG. 1;
FIG. 3 is a right side elevational view thereof;
FIG. 4 is a left side elevational view thereof;
FIG. 5 is a rear elevational view thereof;
FIG. 6 is a top plan view thereof; and
FIG. 7 is a bottom plan view thereof.



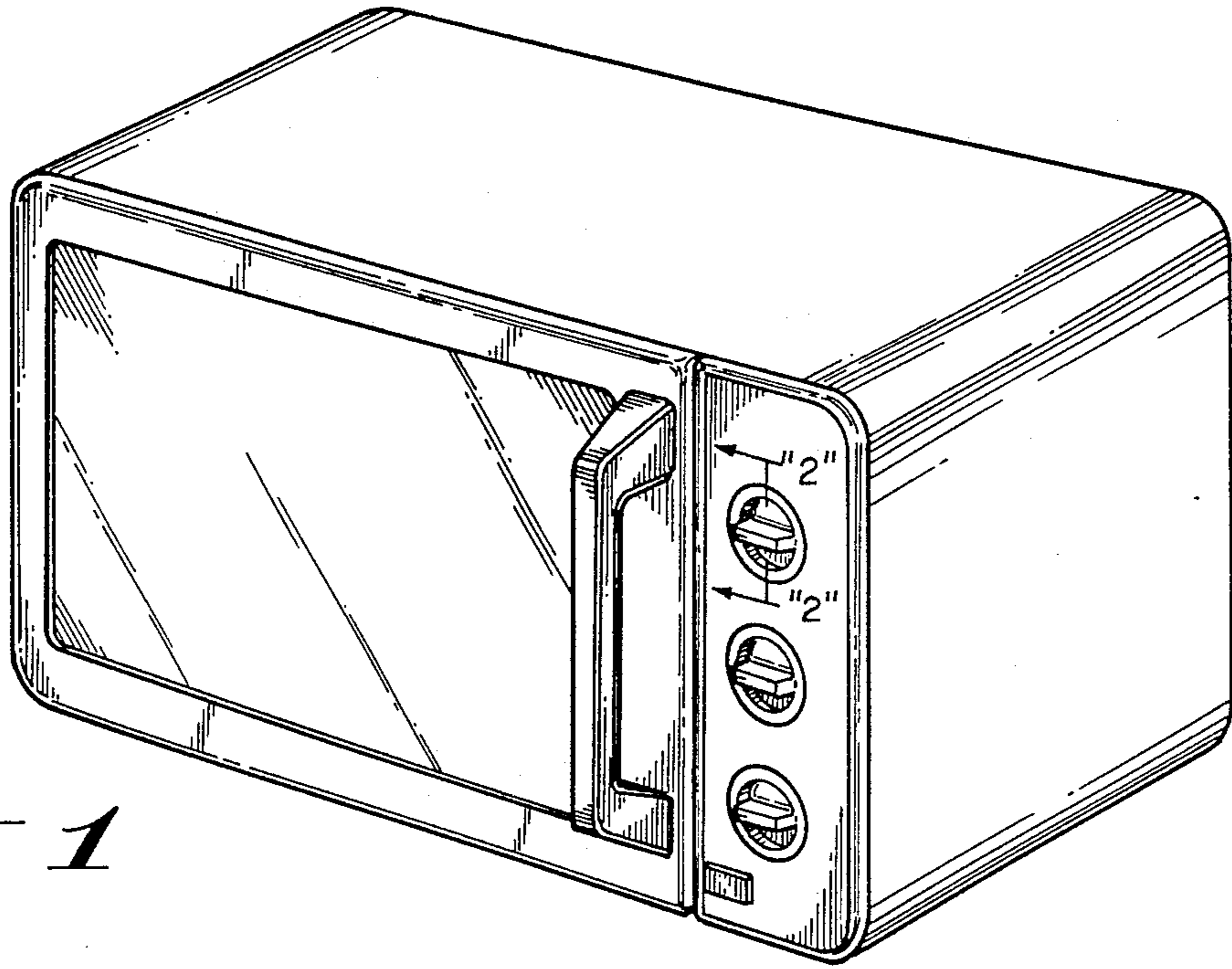


Fig. 1

Fig. 2

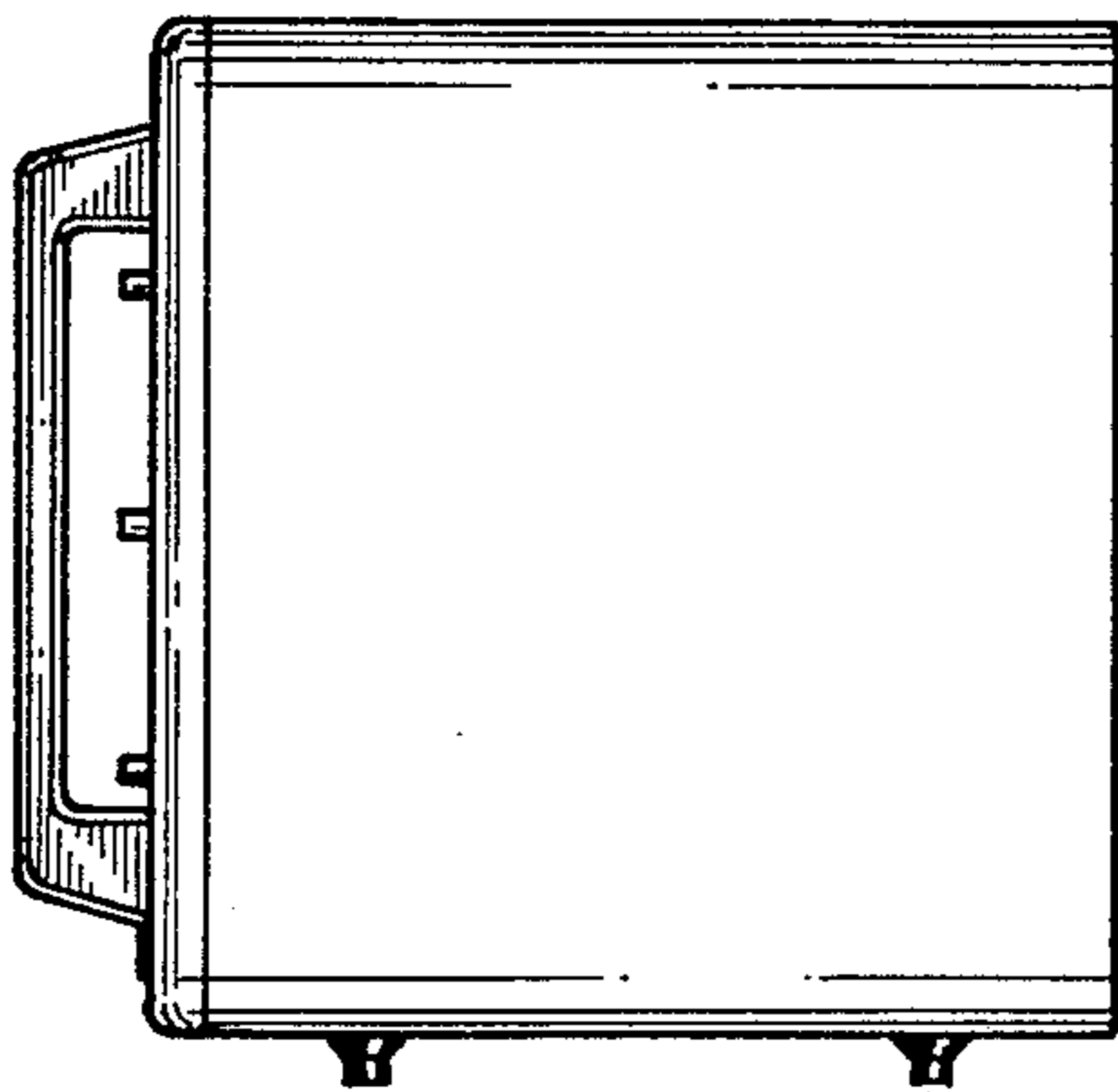
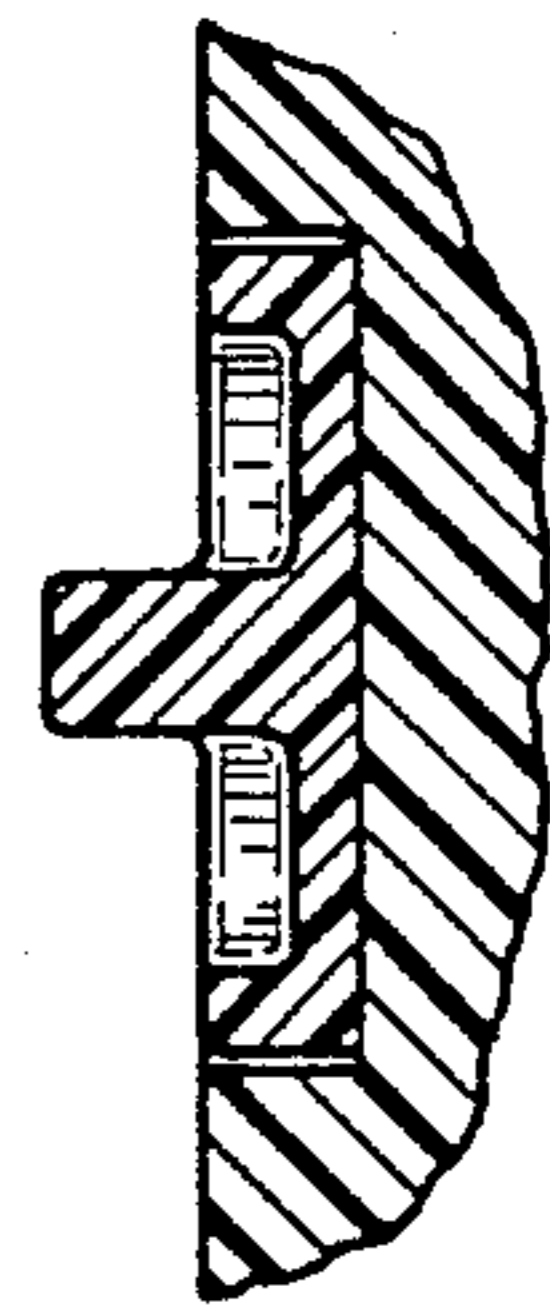


Fig. 3

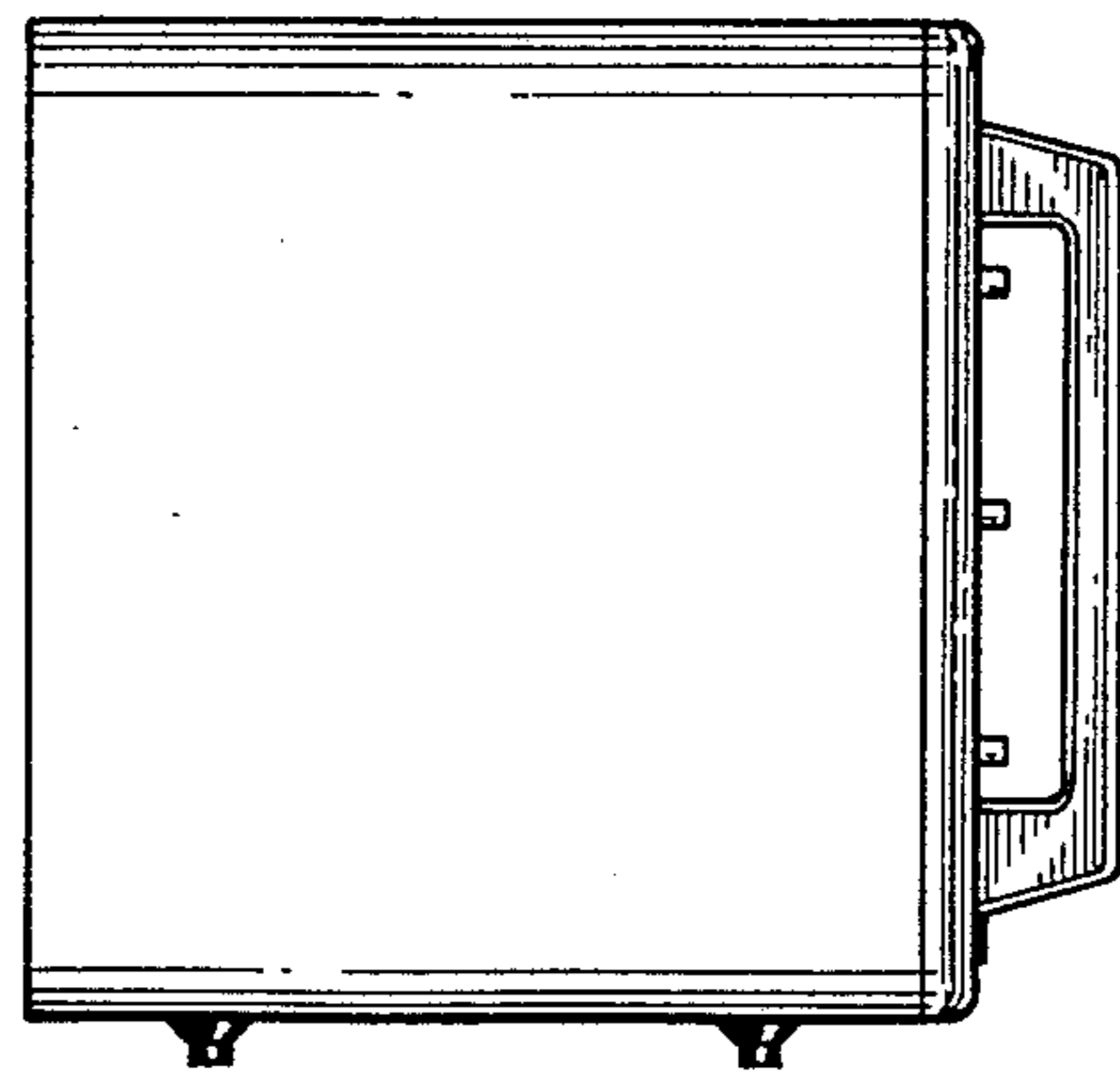


Fig. 4

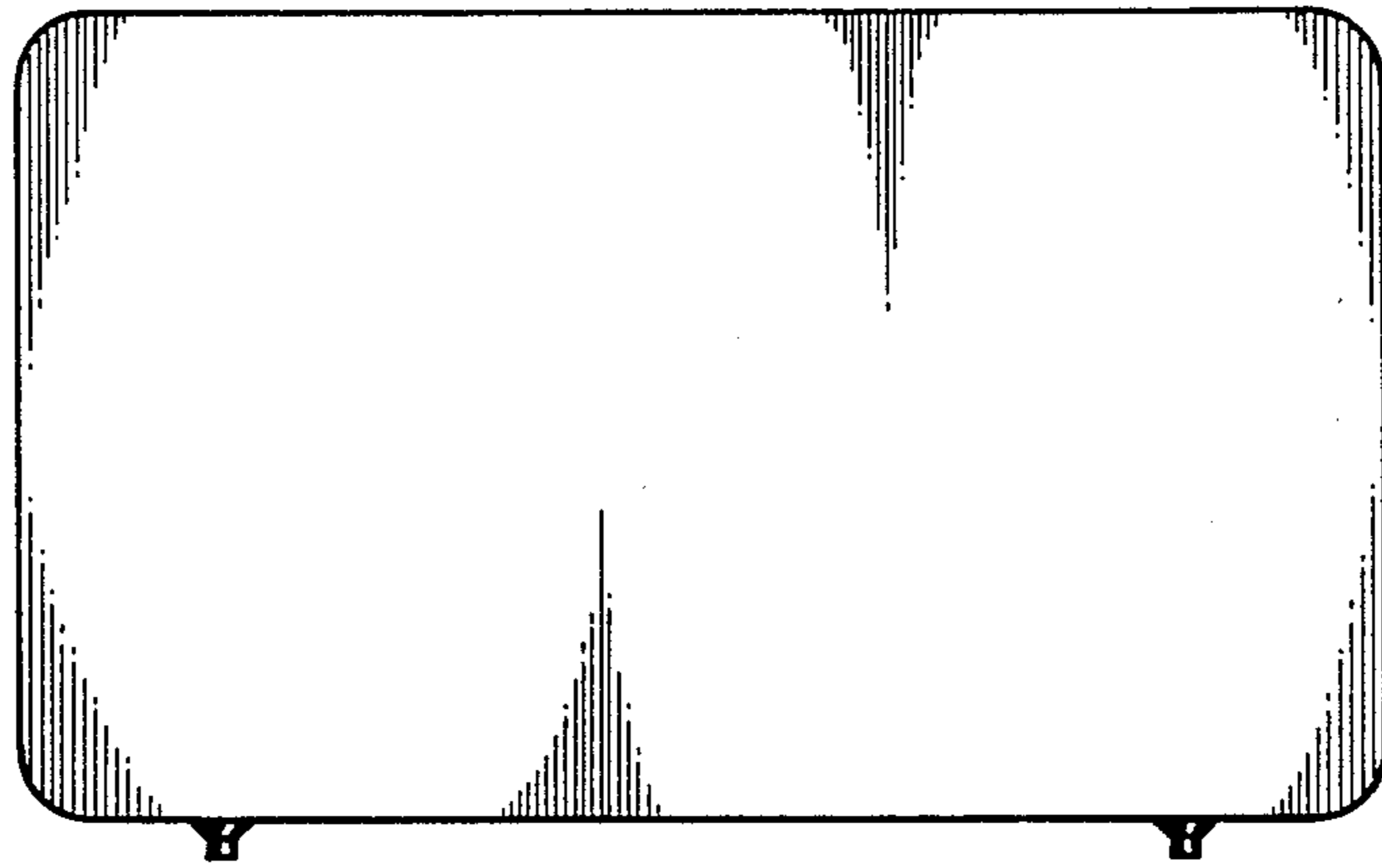


Fig. 5

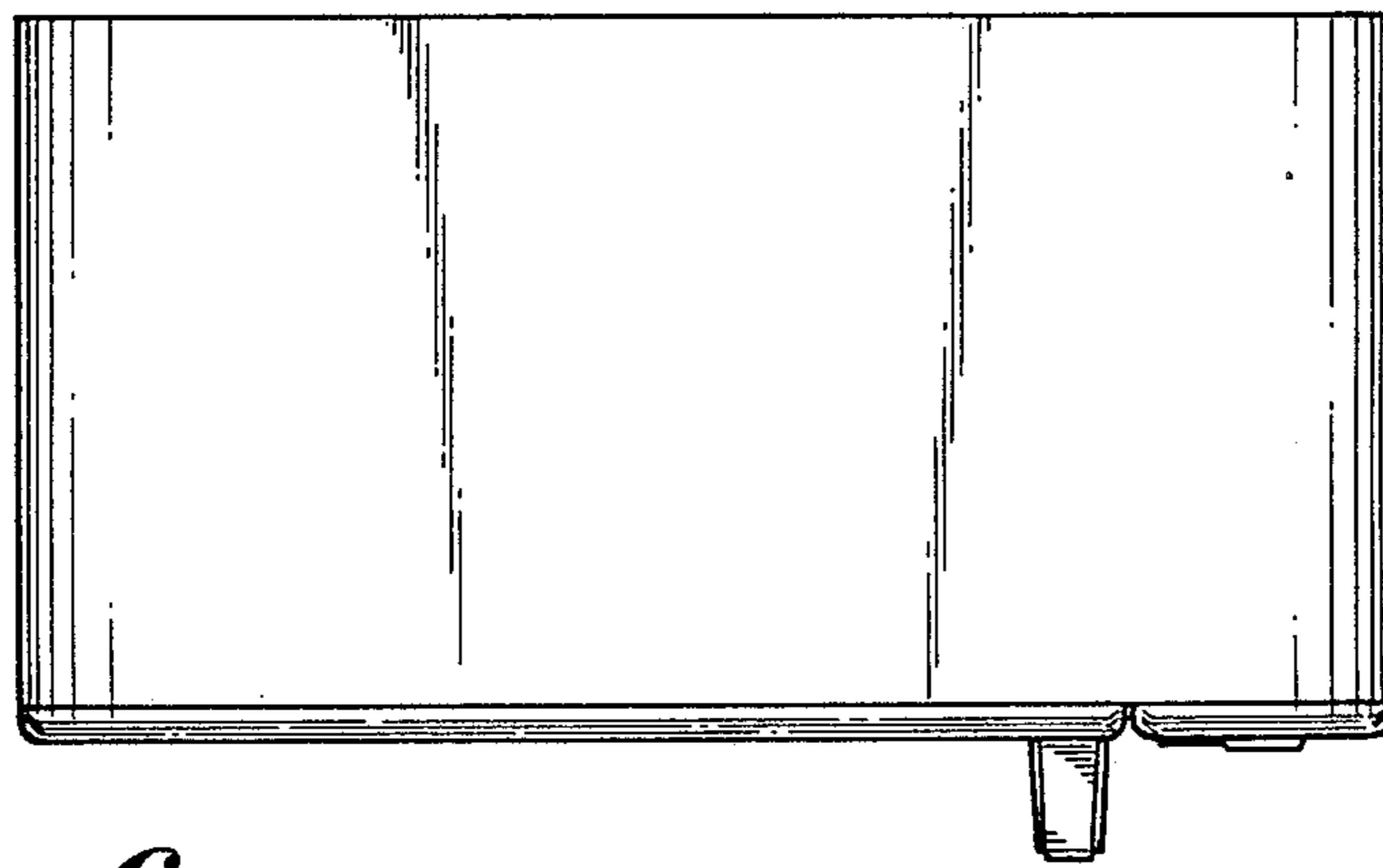


Fig. 6

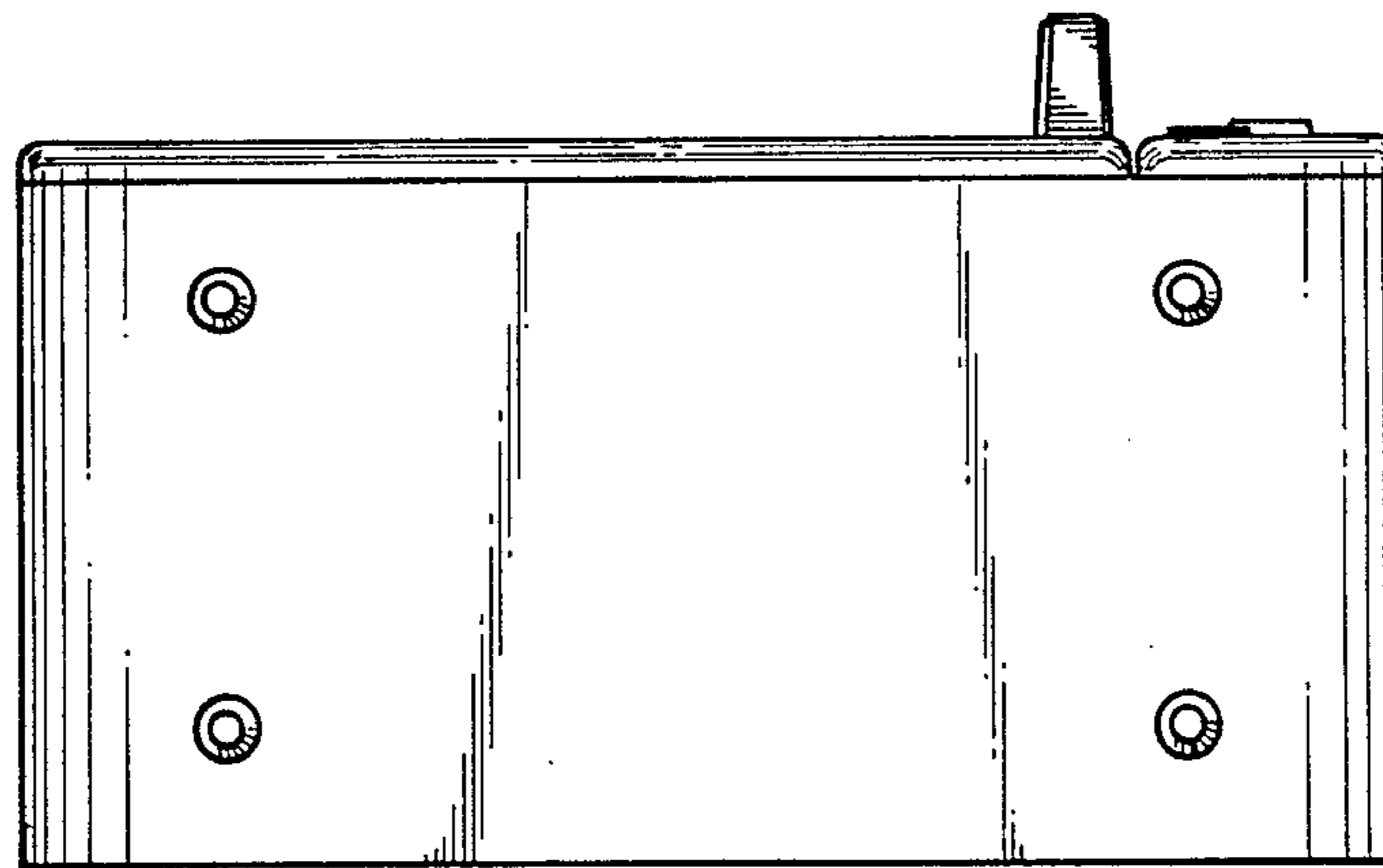


Fig. 7