

[54] COMBINED STORAGE CABINET AND RACK

[76] Inventors: Robert A. Turner, 35 E. Roanoke, Phoenix, Ariz. 85004; Daniel L. Pool, 4414 E. Lincoln Dr., Paradise Valley, Ariz. 85253

[**] Term: 14 Years

[21] Appl. No.: 135,620

[22] Filed: Dec. 21, 1987

[52] U.S. Cl. D6/559; D6/572

[58] Field of Search D6/553, 559-561, D6/572; 211/13, 4, 86; 312/100, 224, 243, 245

[56] References Cited

U.S. PATENT DOCUMENTS

D. 117,778	11/1939	Amis	D6/560
D. 285,761	9/1986	Palka	D6/561
D. 290,433	6/1987	Nusz	D6/559 X
1,951,894	3/1934	Ziebarth	211/13
2,177,153	10/1939	Ross	280/61

2,450,172	9/1948	Stoner	211/86
2,549,349	4/1951	Wahlstrom	211/13
3,181,756	5/1965	Smilg	224/45
3,289,851	12/1966	Federman	211/4
4,446,972	5/1984	Sussman	211/13

Primary Examiner—Wallace R. Burke
Assistant Examiner—Brian N. Vinson
Attorney, Agent, or Firm—Don J. Flickinger; Jordan M. Meschkow; Lowell W. Gresham

[57] CLAIM

The ornamental design for a combined storage cabinet and rack, as shown and described.

DESCRIPTION

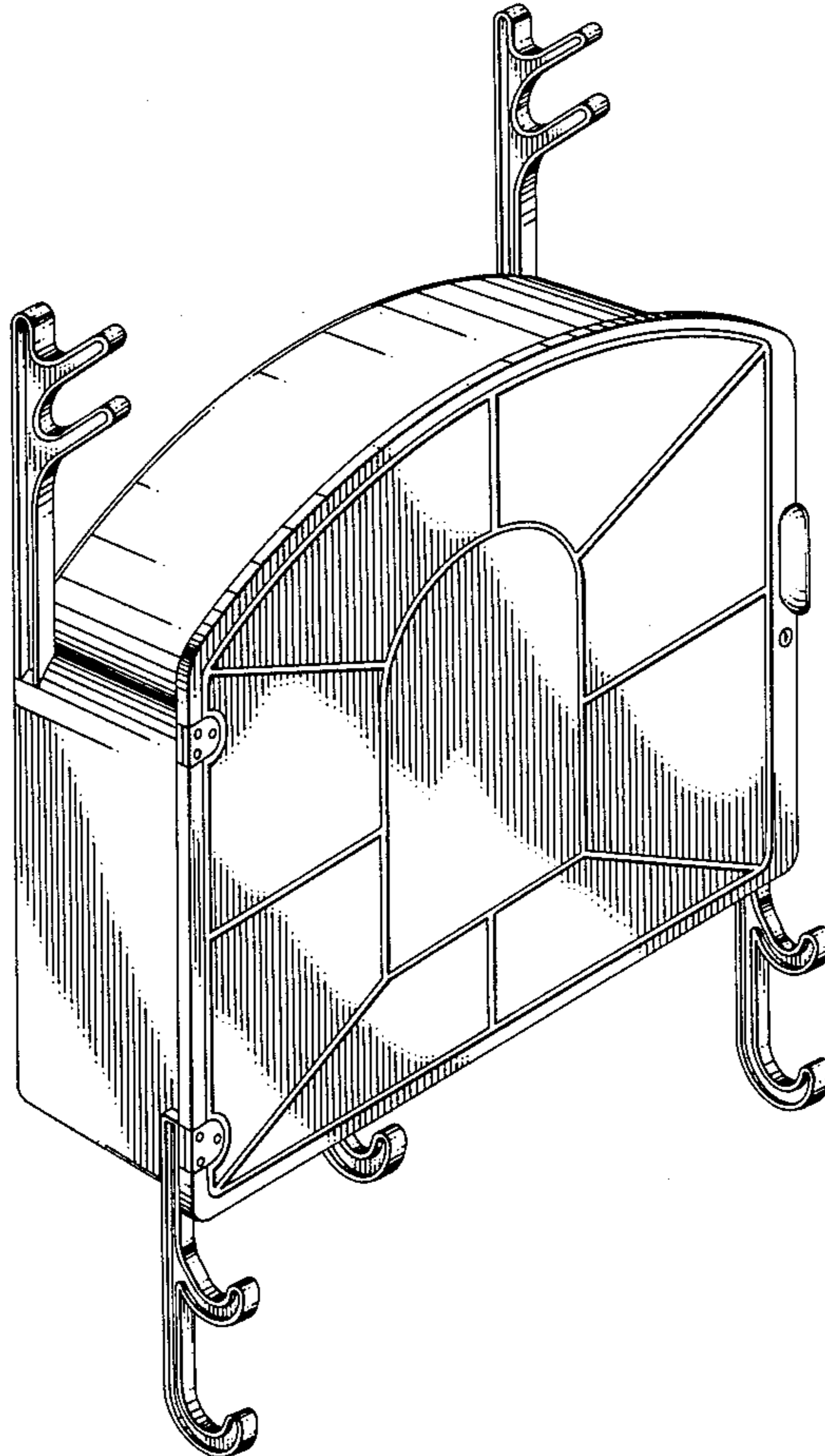
FIG. 1 is a top, front and left side perspective view of a combined storage cabinet and rack showing our new design;

FIG. 2 is a reduced left side elevational view thereof, the right side being a mirror image of that shown;

FIG. 3 is a reduced rear elevational view thereof;

FIG. 4 is a reduced top plan view thereof; and

FIG. 5 is a reduced bottom plan view thereof.



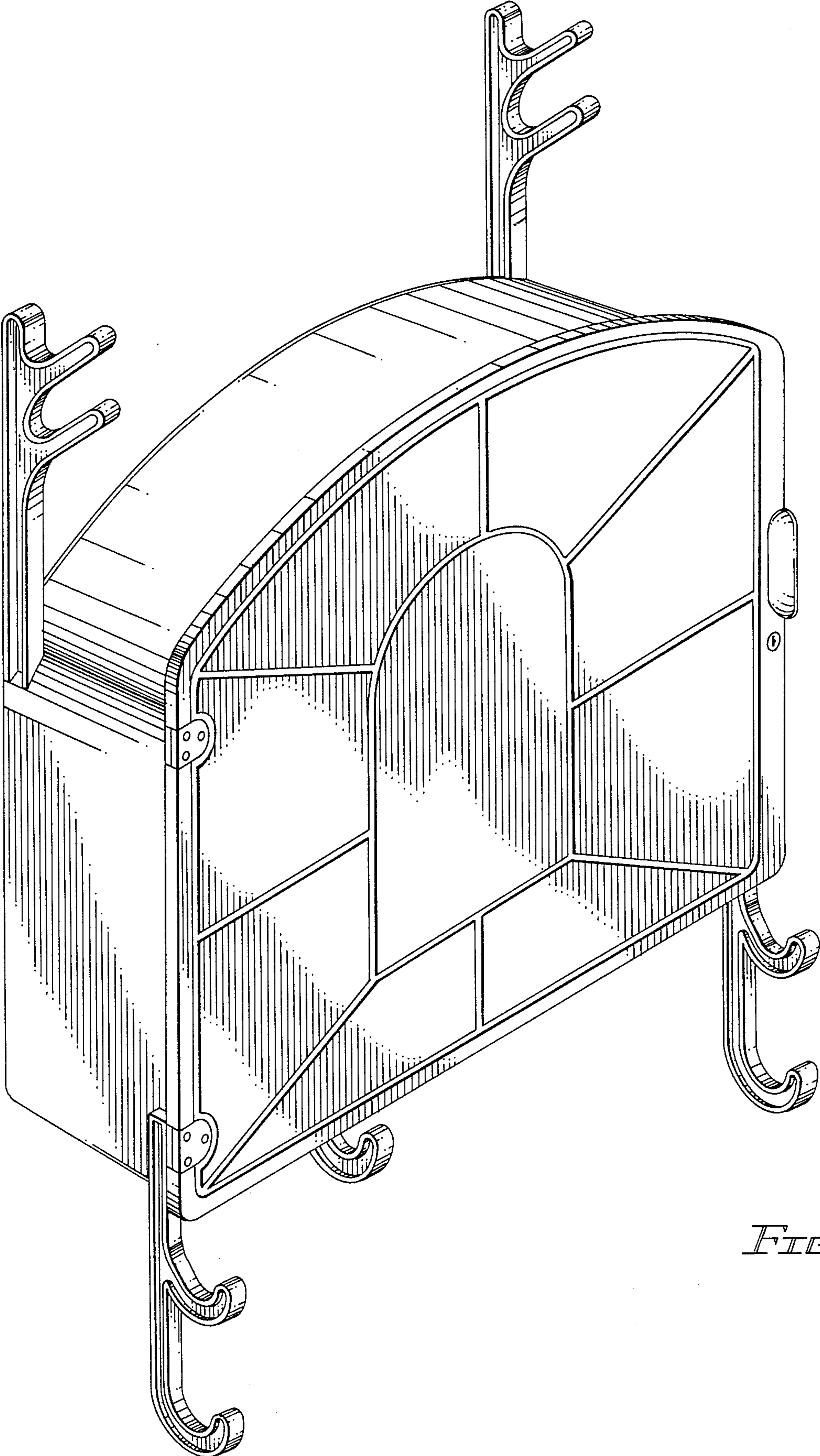


FIG. 1

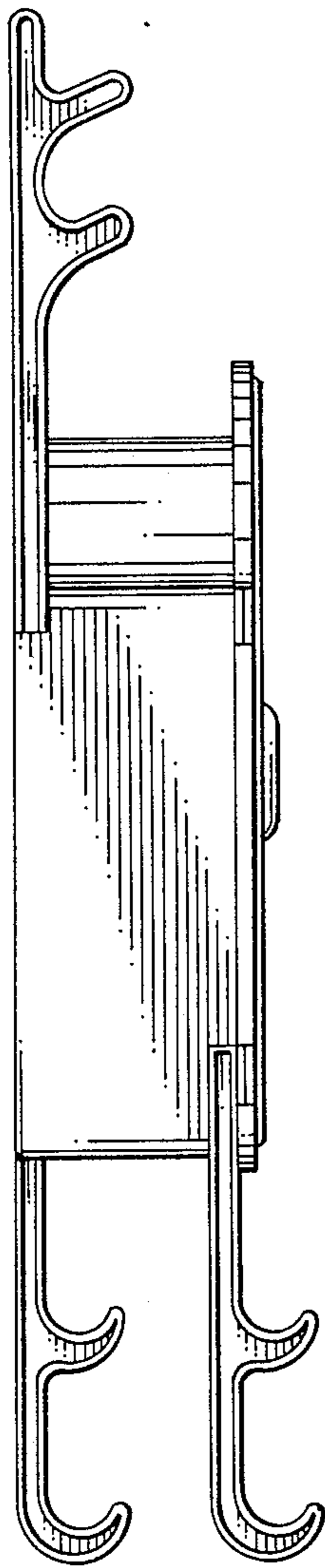


FIG. 2

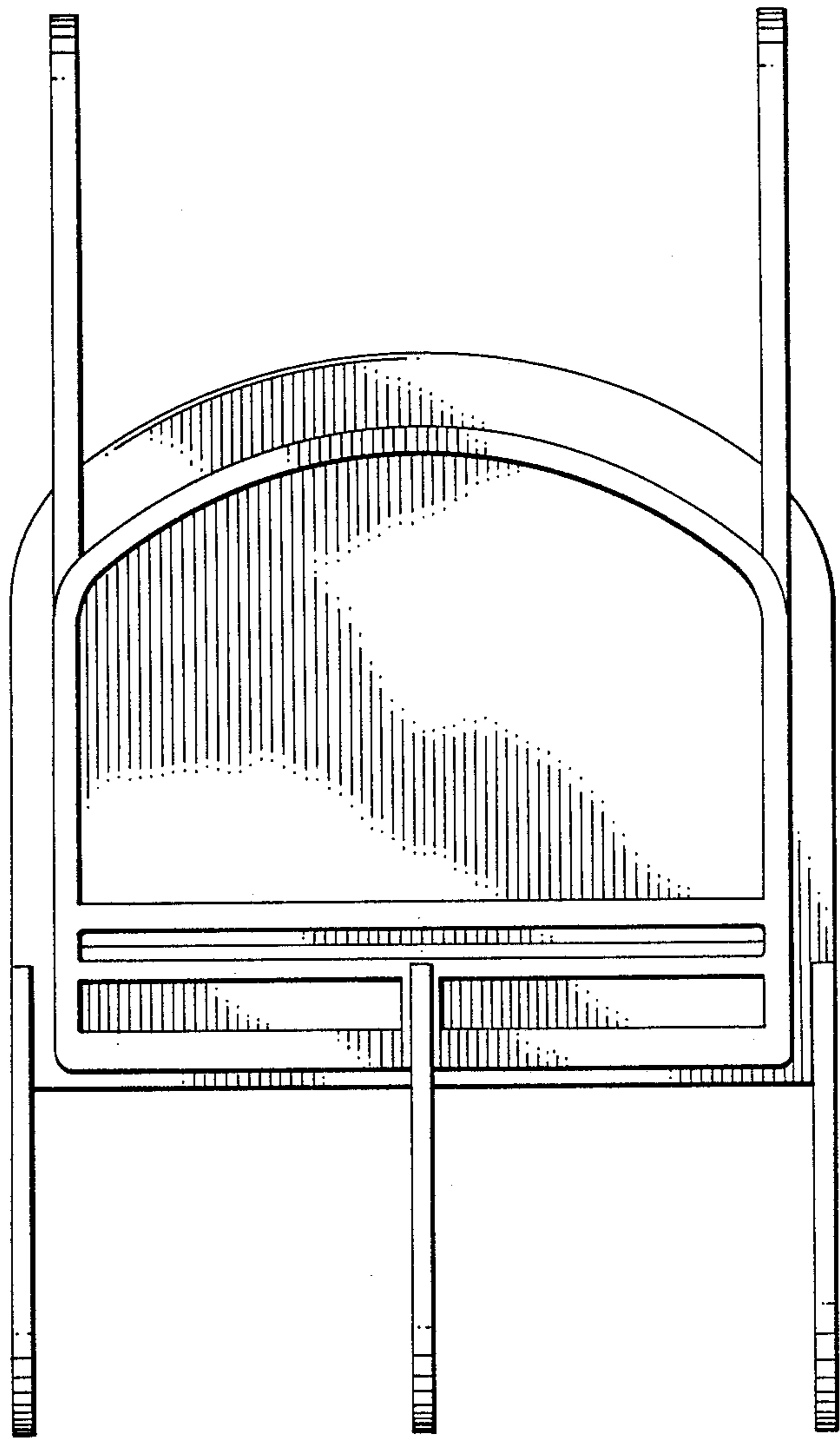


FIG. 3

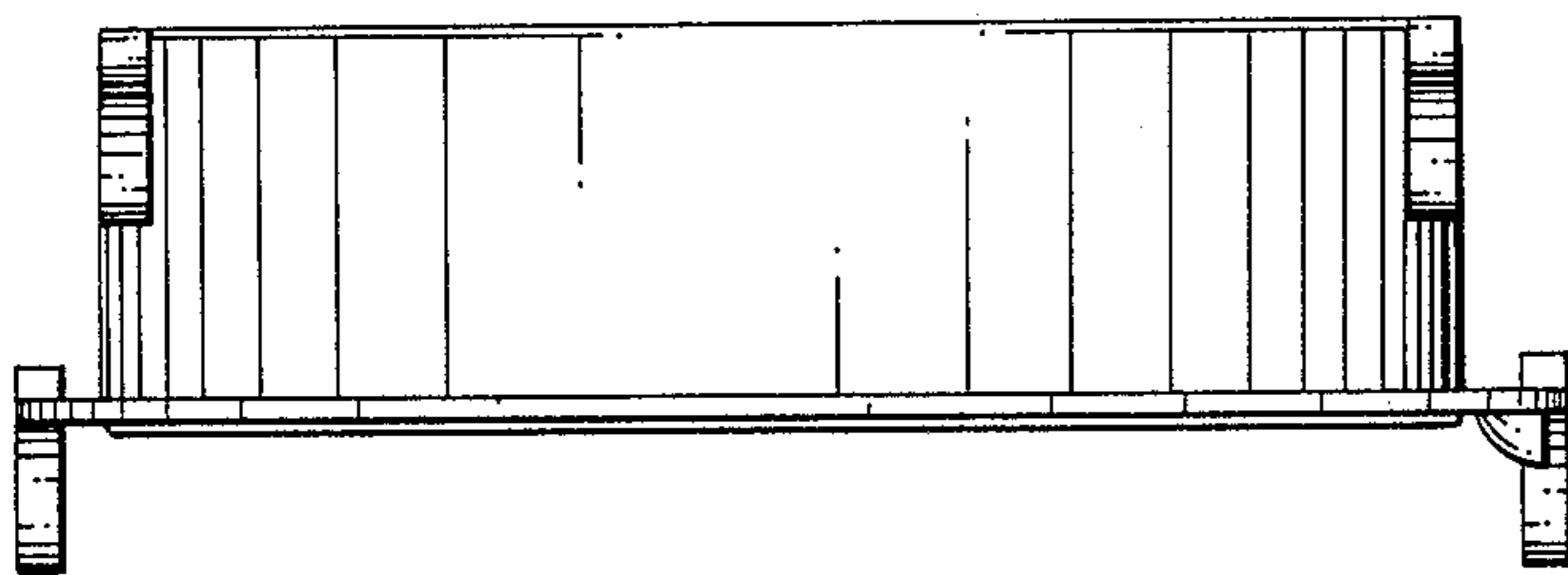


FIG. 4

FIG. 5

