

[54] **HEADWALL UNIT FOR HOSPITAL ROOMS**

[75] **Inventor: Ira M. Durham, Jr., Houston, Tex.**

[73] **Assignee: The Methodist Hospital System, Houston, Tex.**

[*] **Notice:** The portion of the term of this patent subsequent to Oct. 10, 2003 has been disclaimed.

[**] **Term: 14 Years**

[21] **Appl. No.: 893,969**

[22] **Filed: Aug. 7, 1986**

[52] **U.S. Cl. D6/505**

[58] **Field of Search D6/396, 397, 399, 436, D6/445, 505; D24/1.1, 4; 5/2 R, 60, 53 R, 280, 508**

[56] **References Cited**

U.S. PATENT DOCUMENTS

- D. 255,522 6/1980 Quigley 5/53 X
 D. 266,806 11/1982 Lenger 5/53 X

- 394,806 12/1888 Augier 5/2
 491,080 2/1893 Conant 5/53 R
 4,338,485 7/1982 Fullenkamp et al. .

FOREIGN PATENT DOCUMENTS

- 973539 12/1962 United Kingdom 5/2 R
 2095986 10/1982 United Kingdom 5/53 R

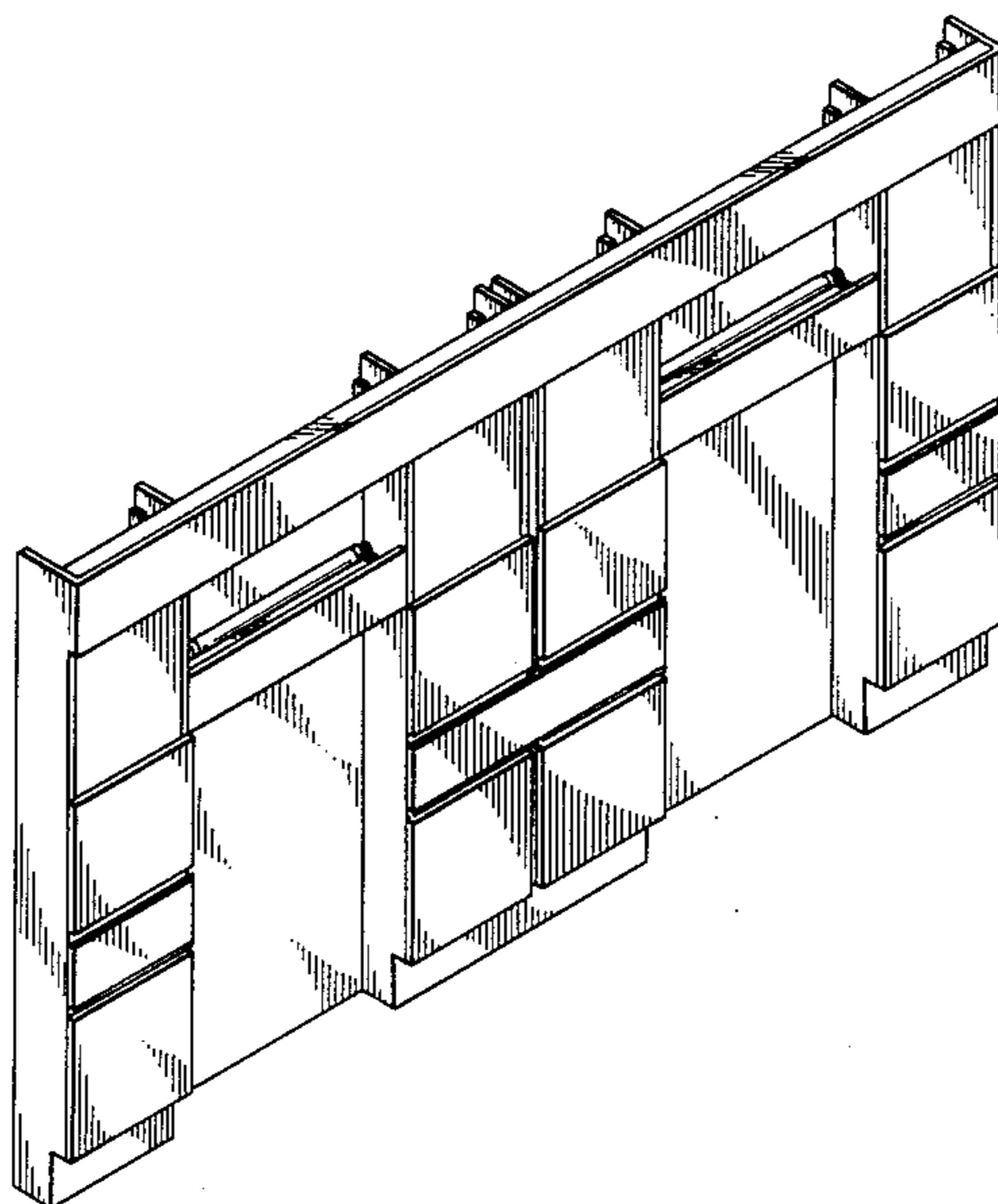
Primary Examiner—Carmen H. Vales-Lado
Attorney, Agent, or Firm—Vinson & Elkins

[57] **CLAIM**

The ornamental design for a "headwall unit for hospital rooms"¹¹, as shown and described.

DESCRIPTION

FIG. 1 is a top perspective view of a headwall unit for hospital rooms showing my new design;
 FIG. 2 is a bottom perspective view thereof;
 FIG. 3 is a rear elevational view thereof;
 FIG. 4 is a cross sectional view taken along the line 4—4 of FIG. 3; and
 FIG. 5 is a cross sectional view taken along line 5—5 of FIG. 3.



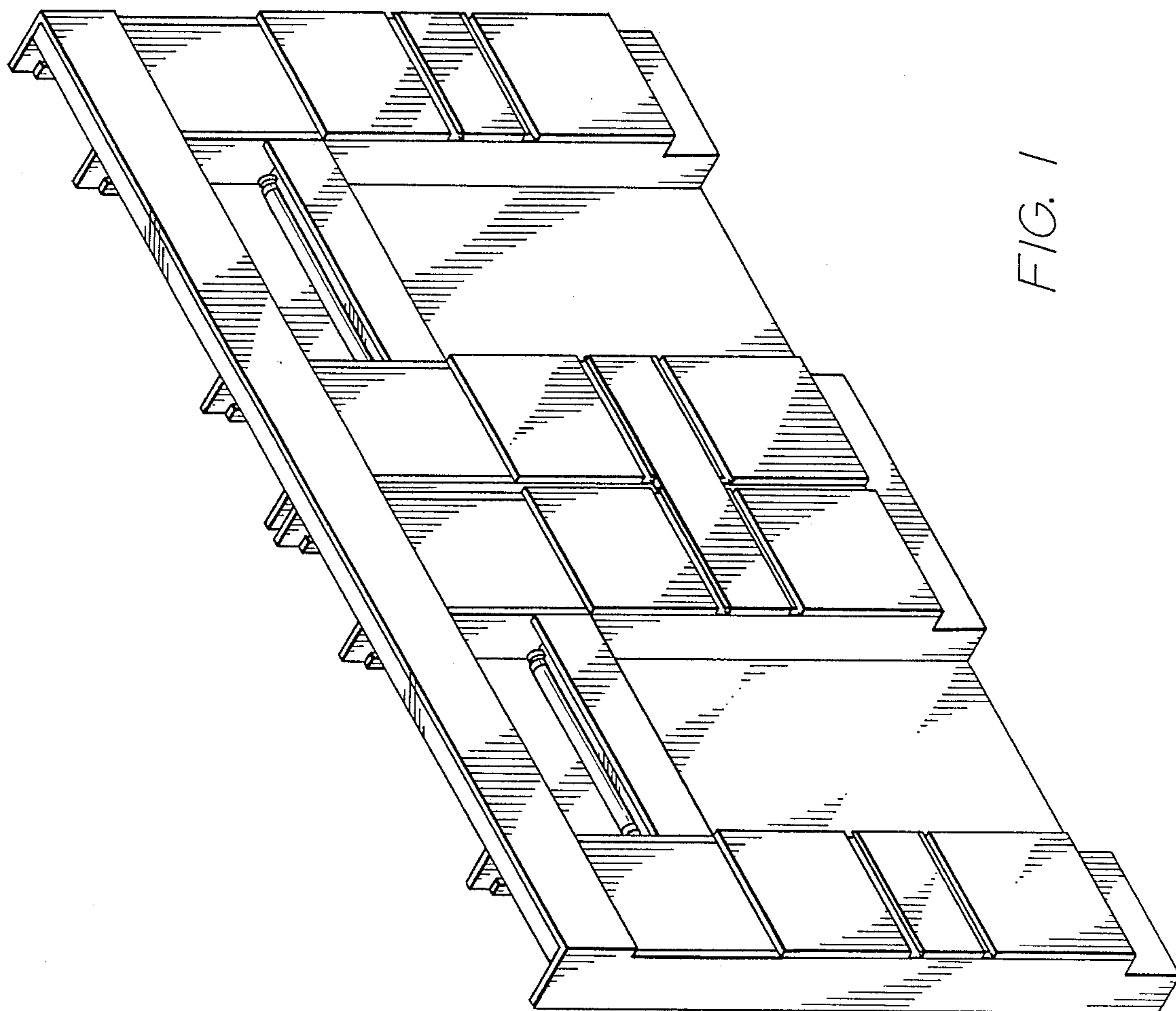


FIG. 1

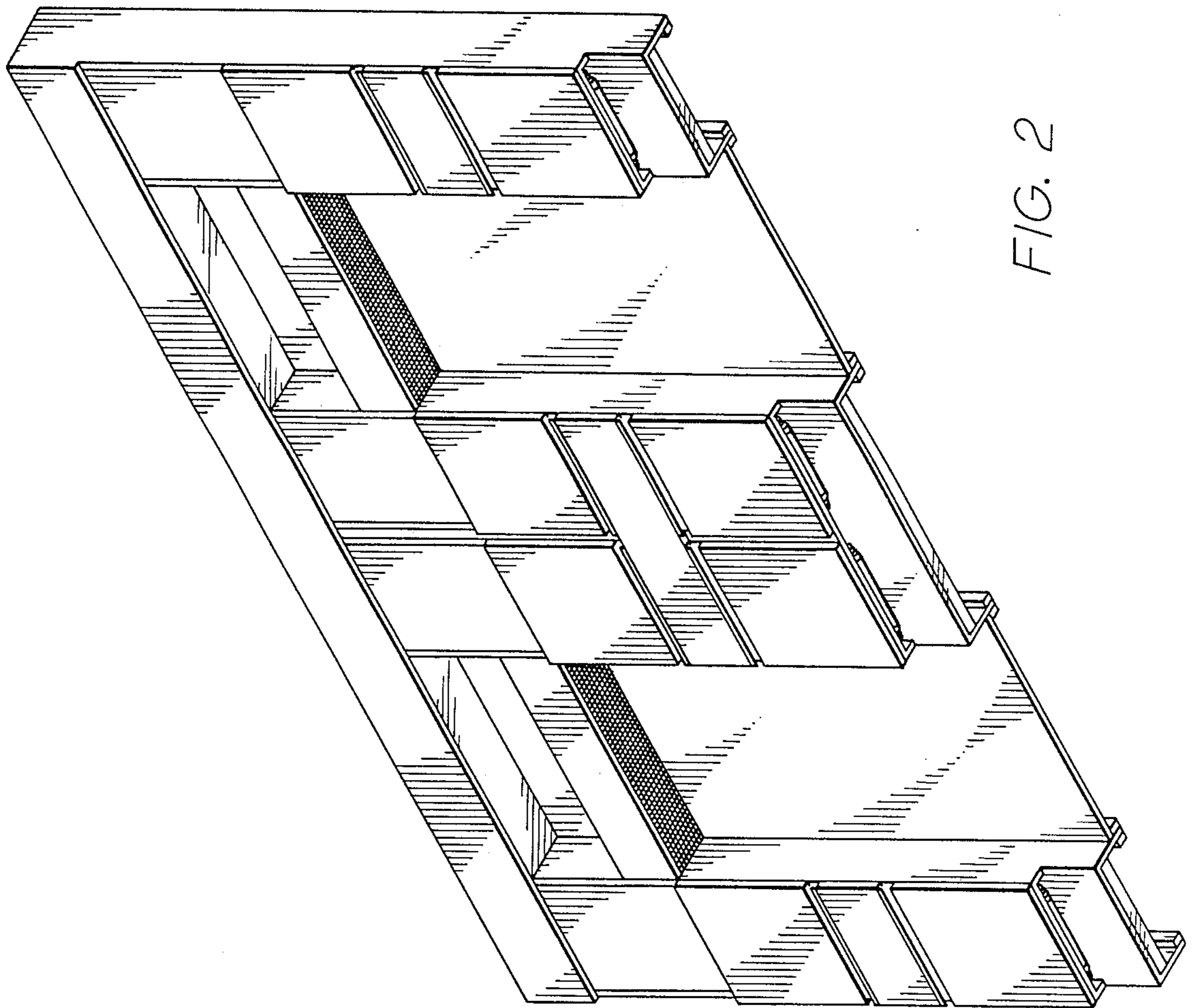


FIG. 2

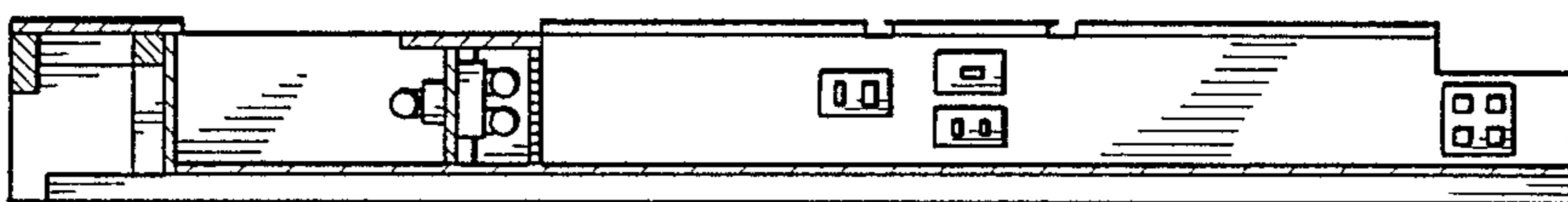
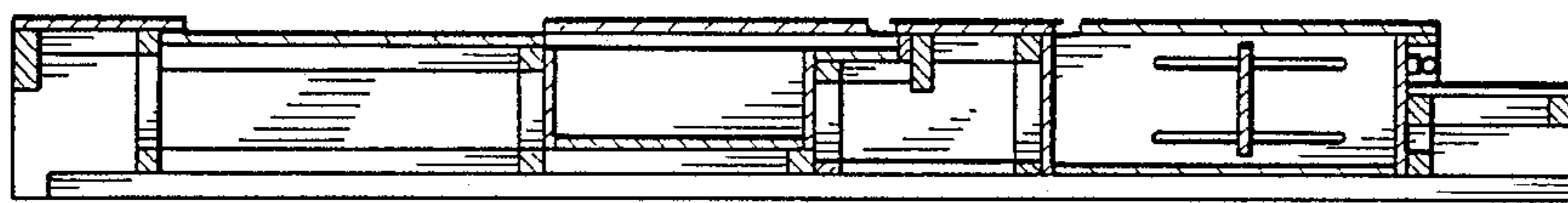


FIG. 4

FIG. 5

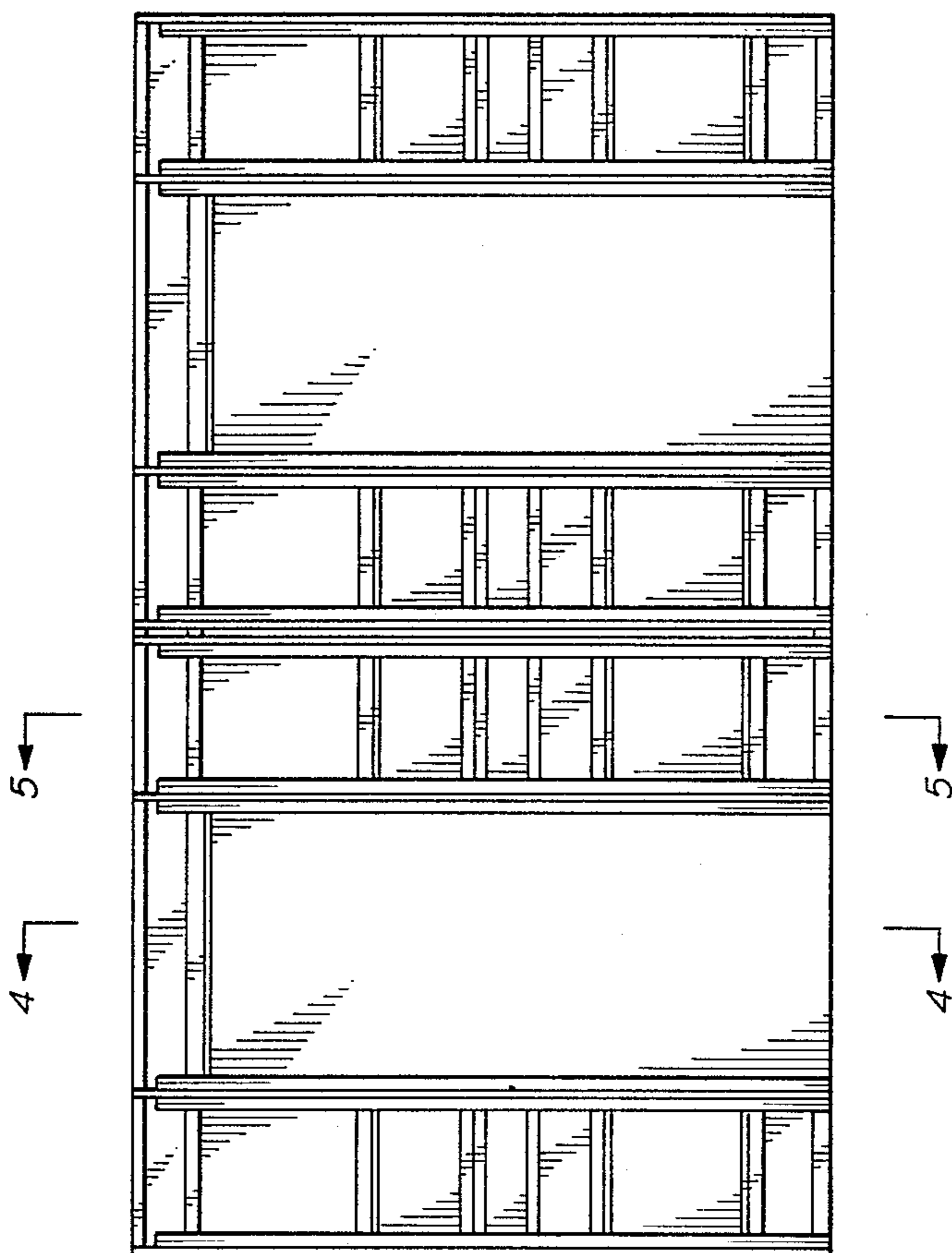


FIG. 3