

[54] **TABLE BASE**

[76] **Inventor: Jay Lefkowitz, 16 Wellesley, Pleasant Ridge, Mich. 48069**

[**] **Term: 14 Years**

[21] **Appl. No.: 900,344**

[22] **Filed: Aug. 25, 1986**

[52] **U.S. Cl. D6/495; D6/489**

[58] **Field of Search D6/480, 487, 489, 495**

[56] **References Cited**

U.S. PATENT DOCUMENTS

D. 209,406	11/1967	Vaughan	D6/495
D. 243,306	2/1977	Moyer	D6/495
D. 280,164	8/1985	Berry, Jr.	D6/489
D. 289,839	5/1987	Kouzoujian	D6/489
D. 290,561	6/1987	Becker	D6/455
D. 293,400	12/1987	Stewart	D6/484 X

Primary Examiner—Bruce W. Dunkins
Attorney, Agent, or Firm—Harness, Dickey & Pierce

[57] **CLAIM**

The ornamental design for a table base, as shown and described.

DESCRIPTION

FIG. 1 is a side and top prospective view of a table base showing my new design;

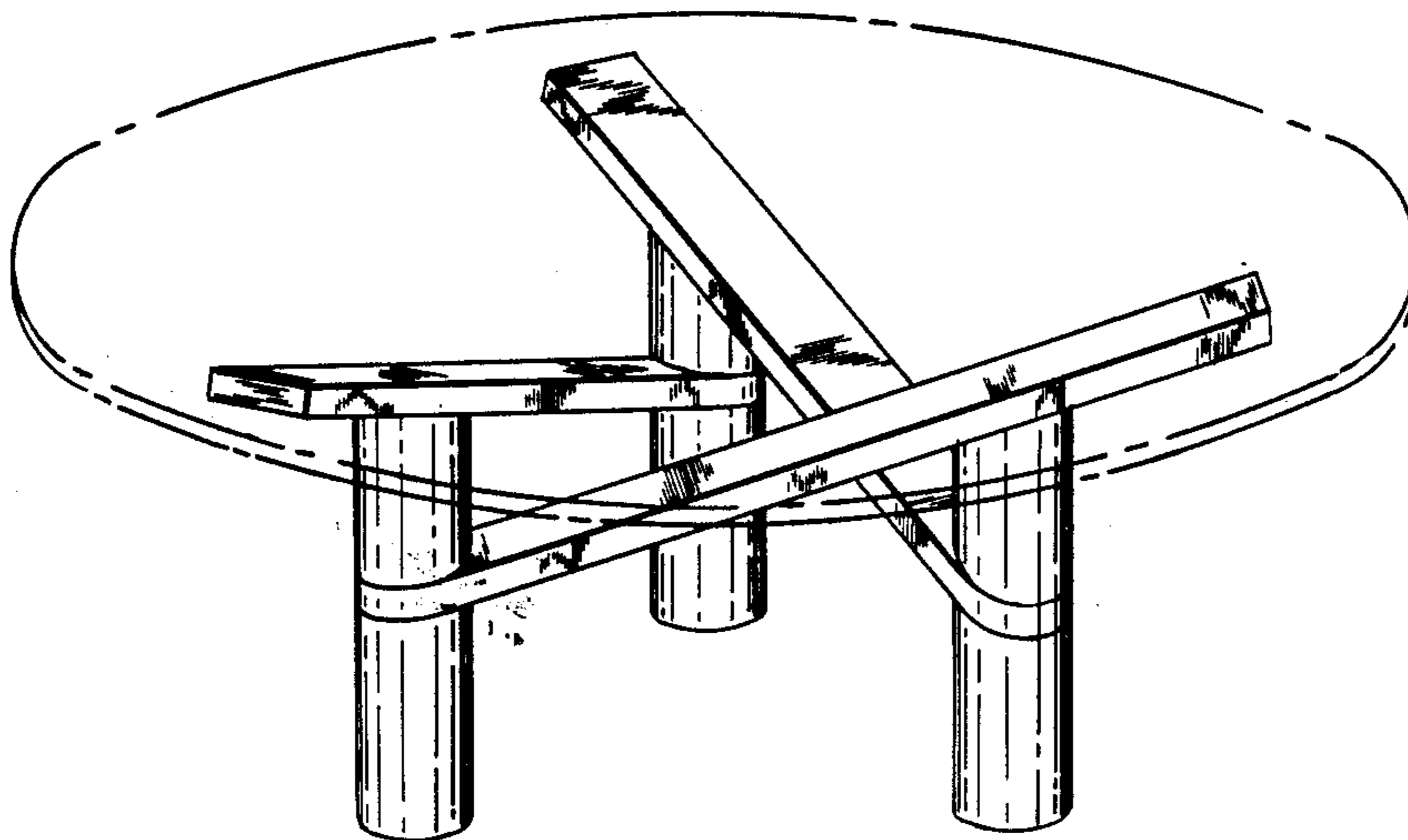
FIG. 2 is a top plan view thereof;

FIG. 3 is a side elevation view thereof; and

FIG. 4 is another side elevation view thereof.

The table top depicted by means of broken lines in FIGS. 1, 2 and 3 has been shown for illustrative purposes only.

The design is characterized by the specific combination of features comprised of the slanted tops of the leg members and the plural brace units which extend beyond the periphery of the legs, all as best illustrated in FIGS. 1, 2 and 3.



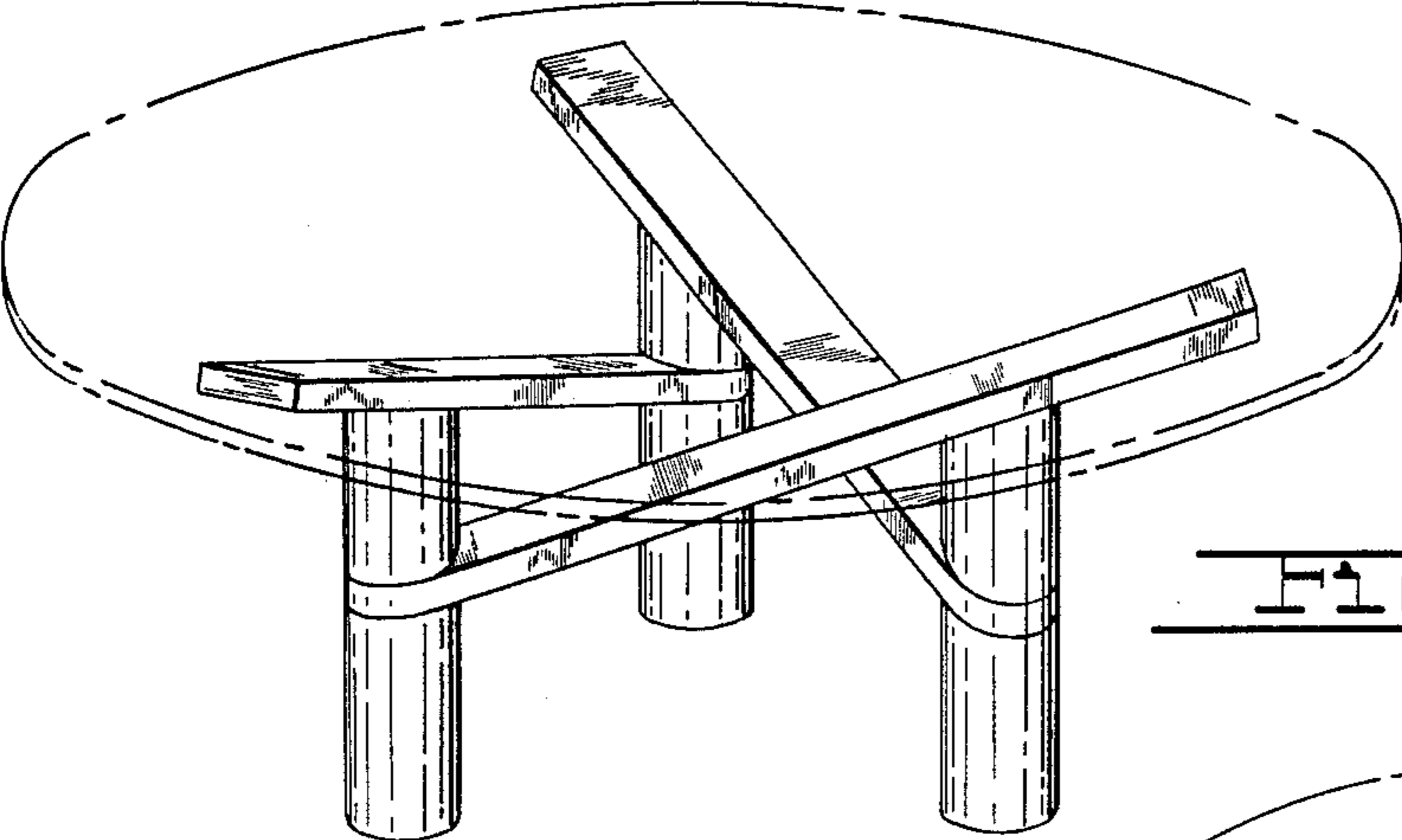


FIG. 1.

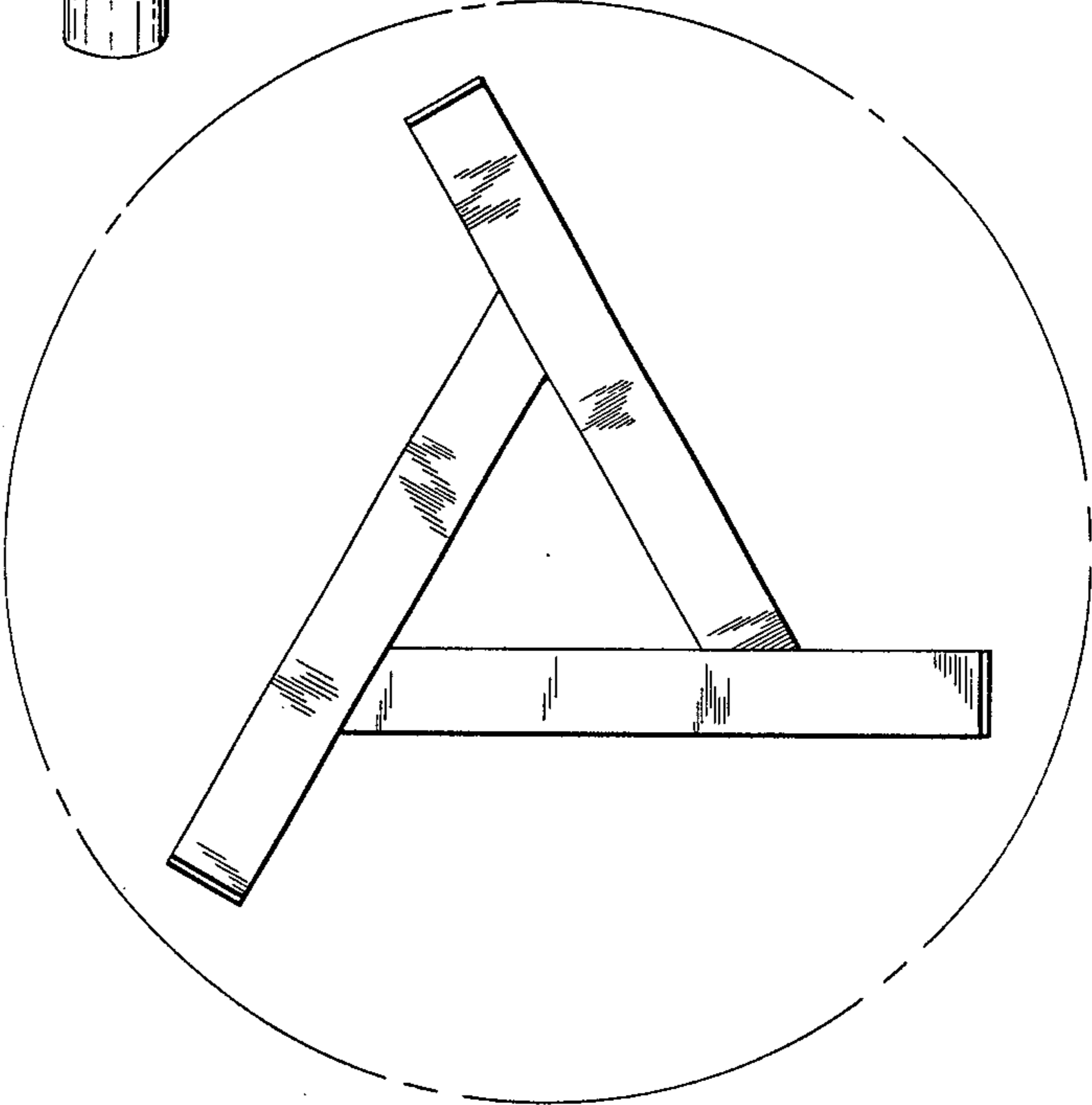


FIG. 2.

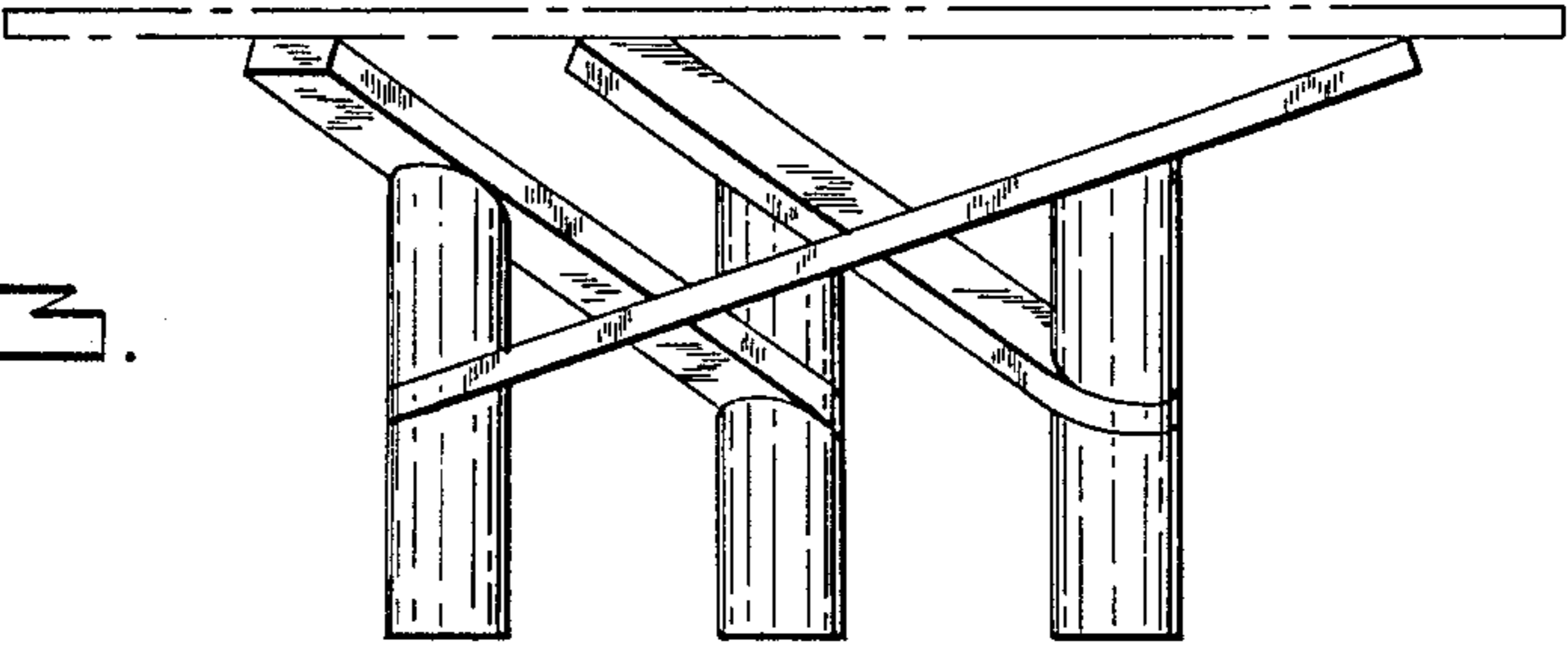


FIG. 3.

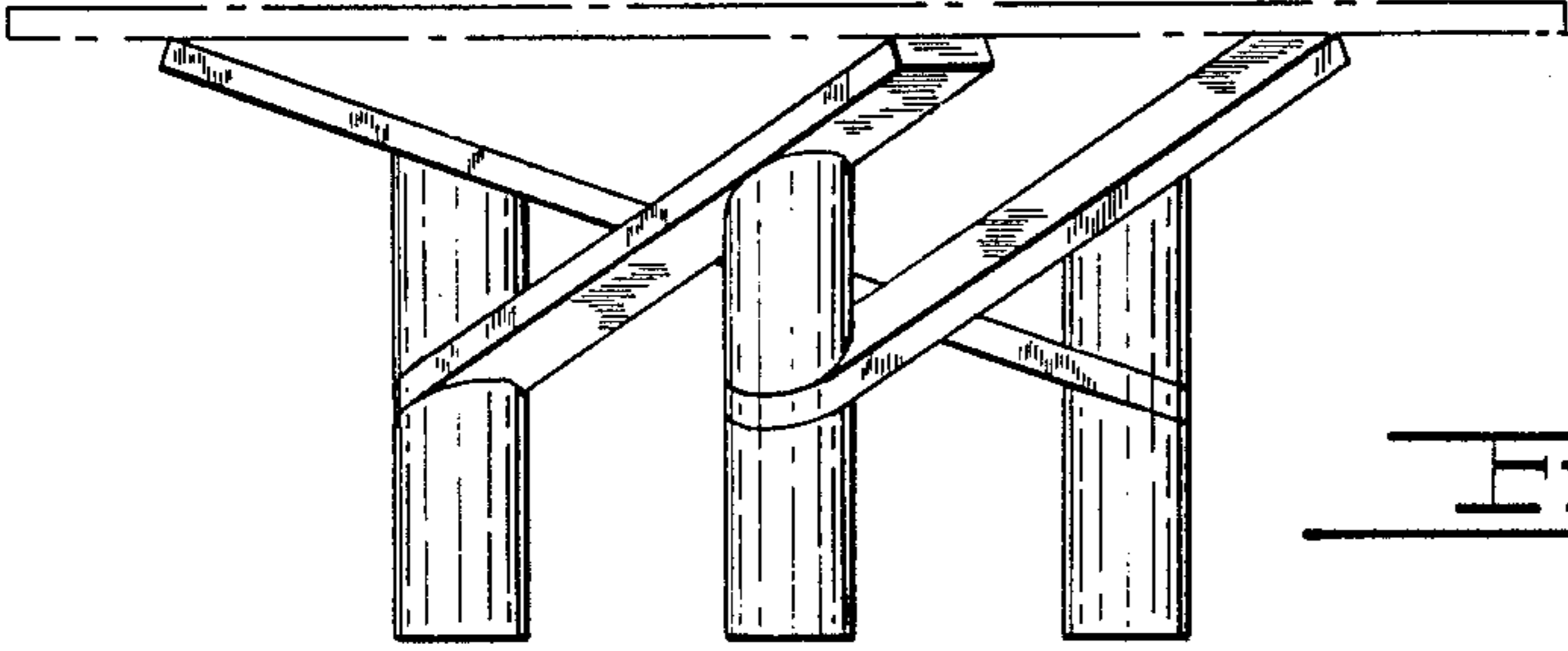


FIG. 4.