

[54] **ROTATABLE FILING AND STORAGE CABINET**

[75] **Inventor: Gordon F. Kwiecinski, Cincinnati, Ohio**

[73] **Assignee: Hamilton Sorter Co., Inc., Fairfield, Ohio**

[\*\*] **Term: 14 Years**

[21] **Appl. No.: 869,950**

[22] **Filed: Jun. 2, 1986**

[52] **U.S. Cl. .... D6/455; D6/397; D6/478; D6/461**

[58] **Field of Search ..... D6/455, 449, 457, 477, D6/458, 478, 459, 460, 462, 461, 397; 312/114; 108/108**

[56] **References Cited**

**U.S. PATENT DOCUMENTS**

D. 207,908 6/1967 Reihmer ..... D6/478

D. 221,813 9/1971 Patrick ..... D6/397  
D. 235,472 6/1975 Geisler ..... D6/460 X  
D. 283,272 4/1986 Mt. Pleasant et al. .... D6/461

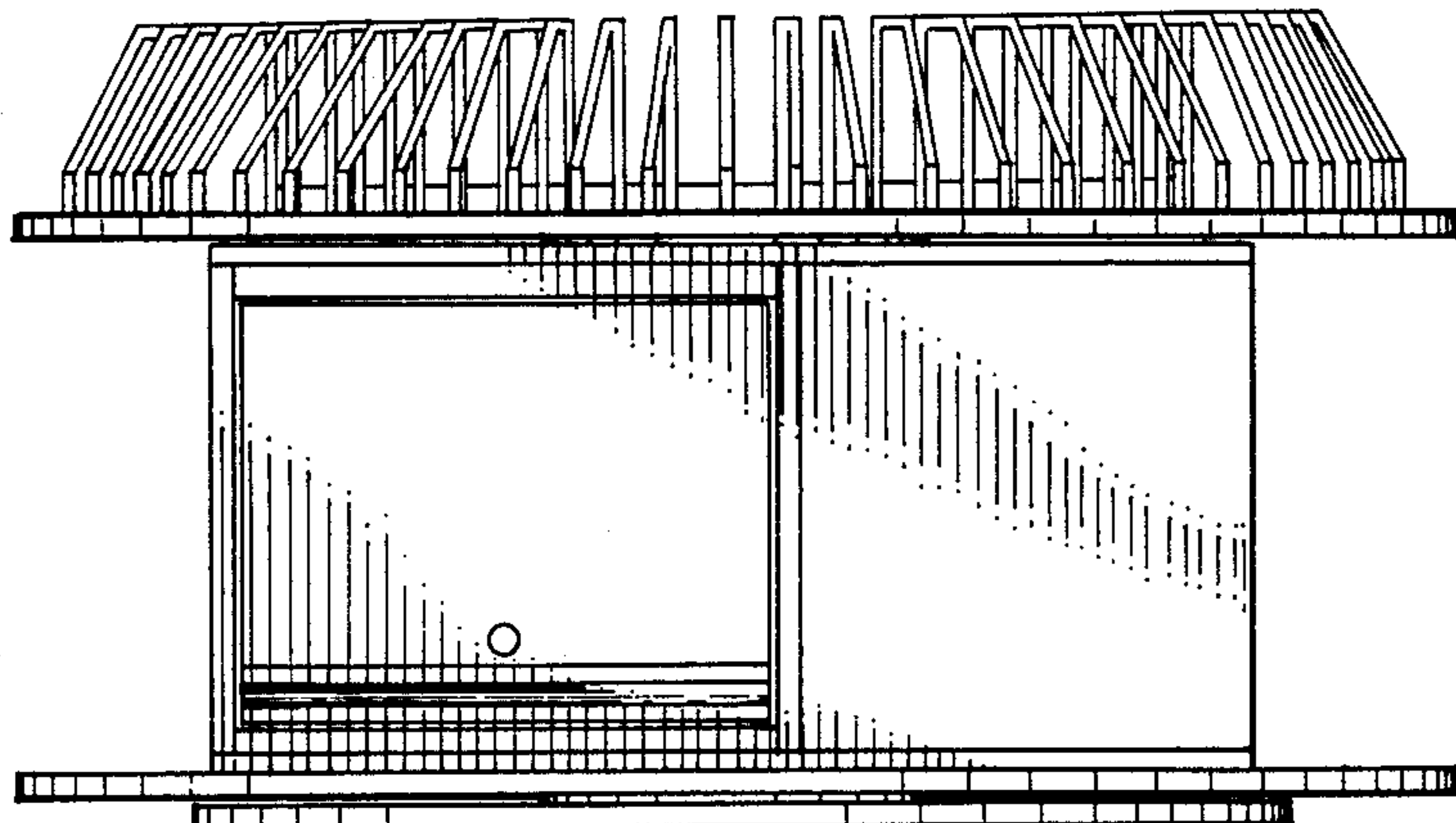
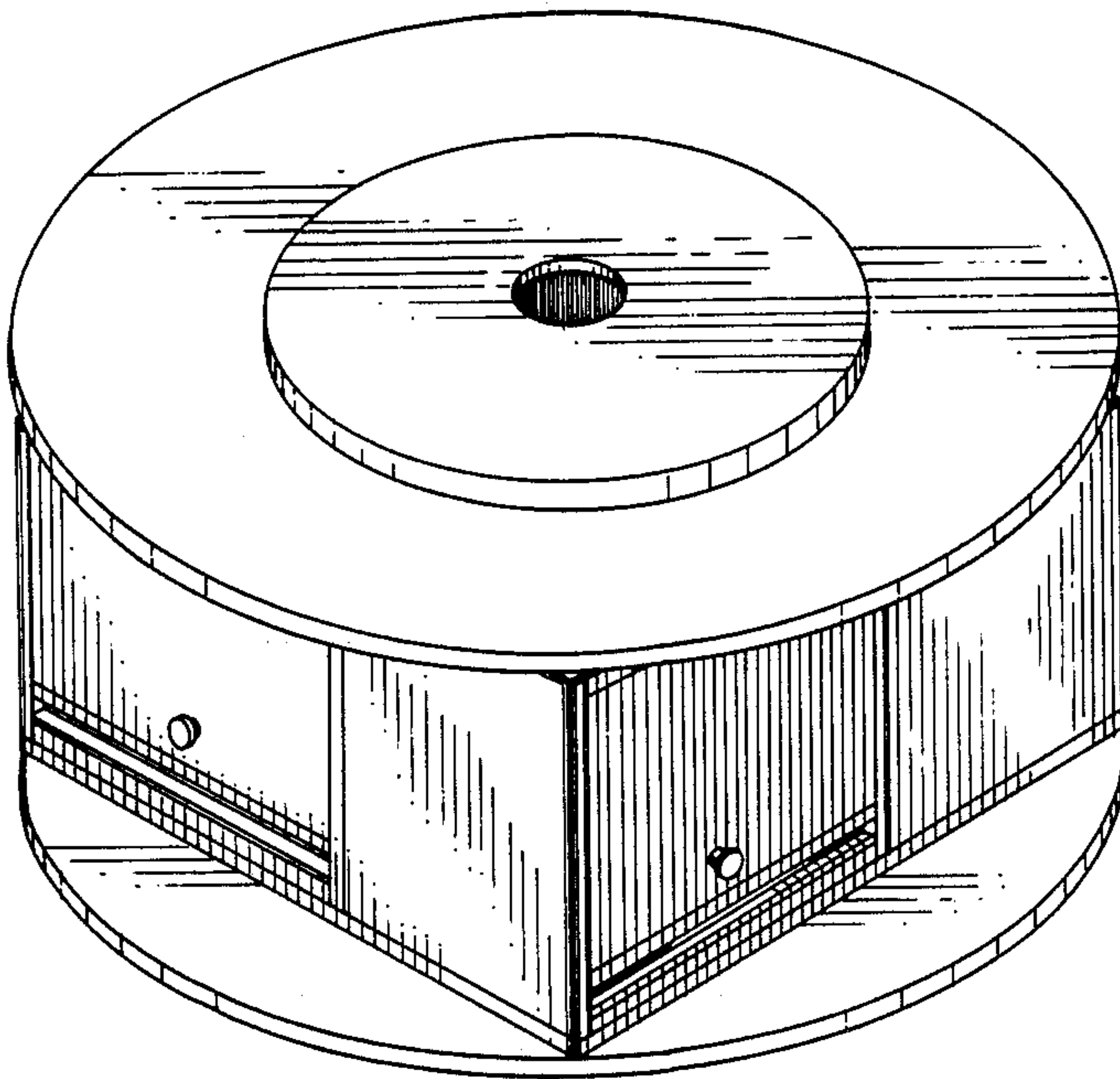
*Primary Examiner—Carmen H. Vales-Lado*  
*Attorney, Agent, or Firm—Frost & Jacobs*

[57] **CLAIM**

The ornamental design for a rotatable filing and storage cabinet, as shown and described.

**DESCRIPTION**

FIG. 1 is a perspective view of a rotatable filing and storage cabinet showing my new design;  
FIG. 2 is a top plan view thereof;  
FIG. 3 is a side elevational view, the other sides being identical thereof;  
FIG. 4 is a top plan view of a modified form of the rotatable filing and storage cabinet shown in FIG. 1; and  
FIG. 5 is a side elevational view, the other sides being identical thereto.



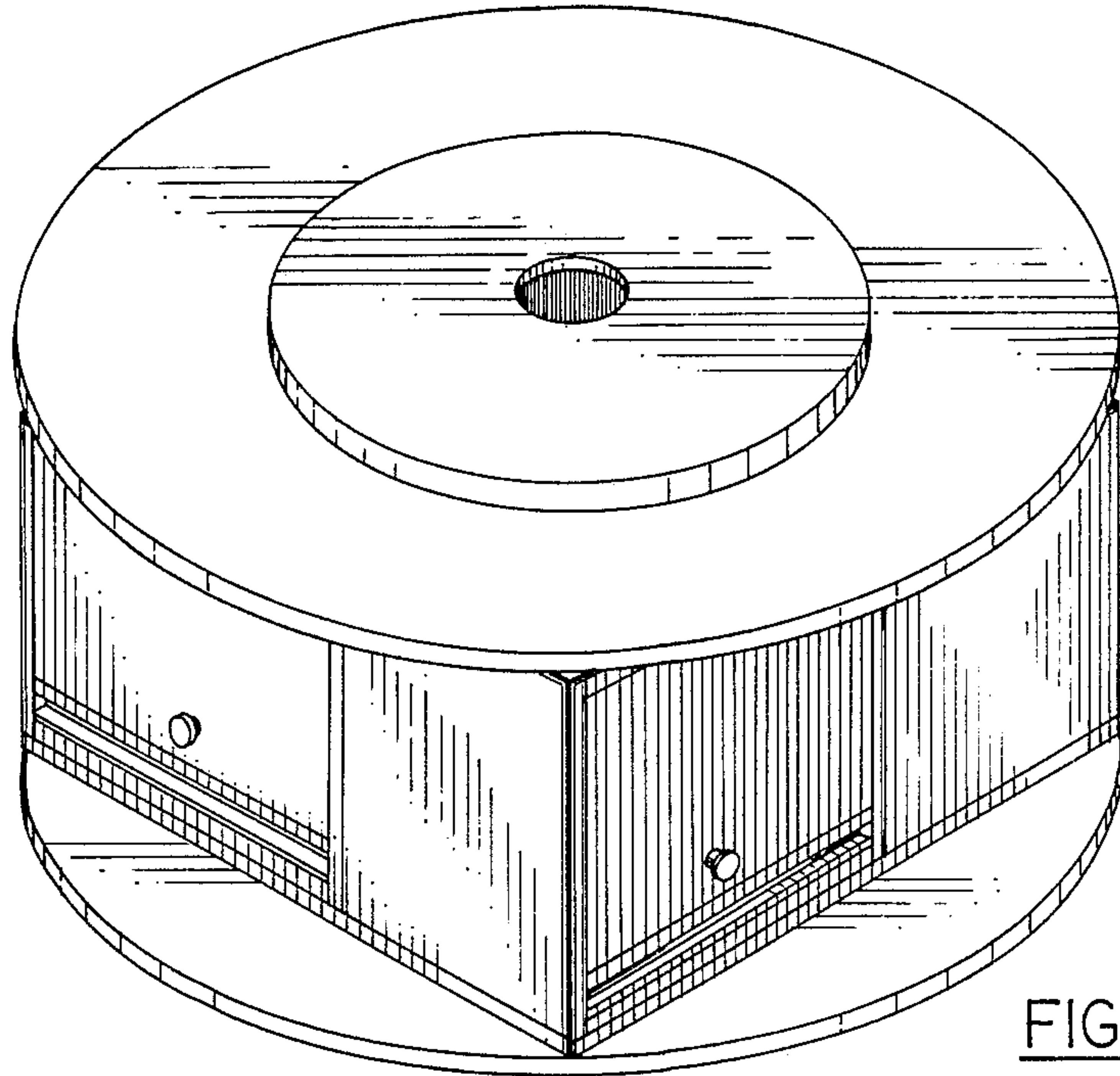


FIG. 1

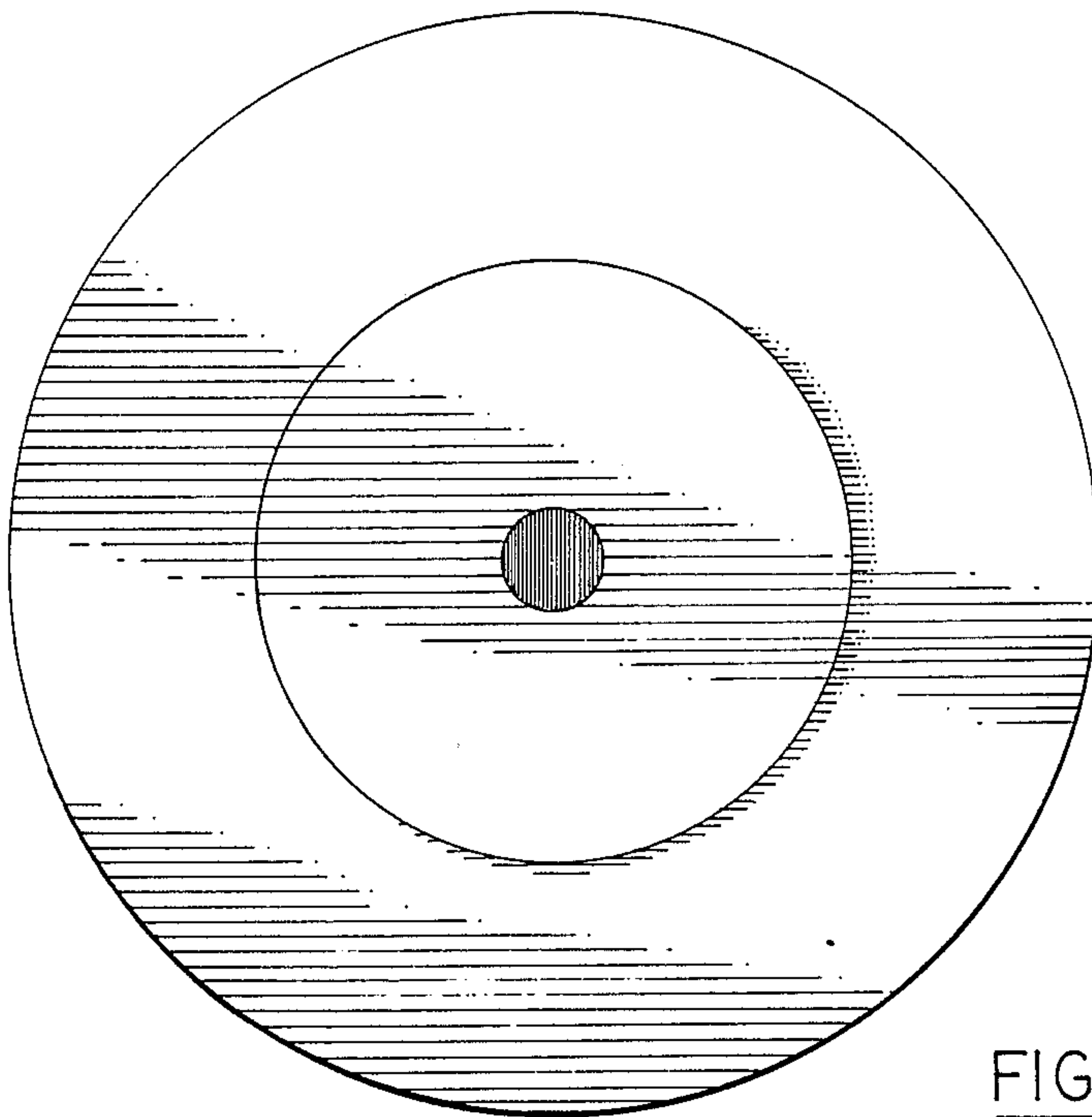


FIG. 2

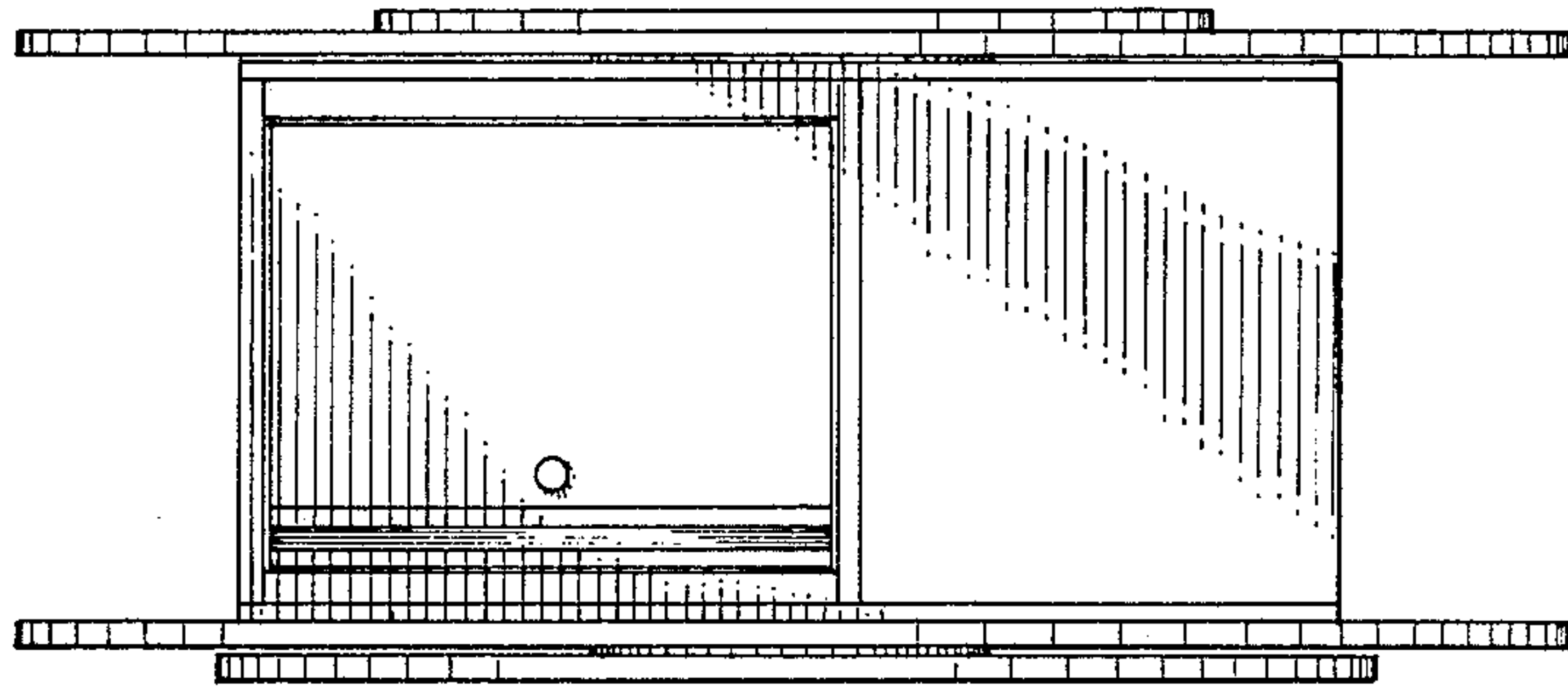


FIG. 3

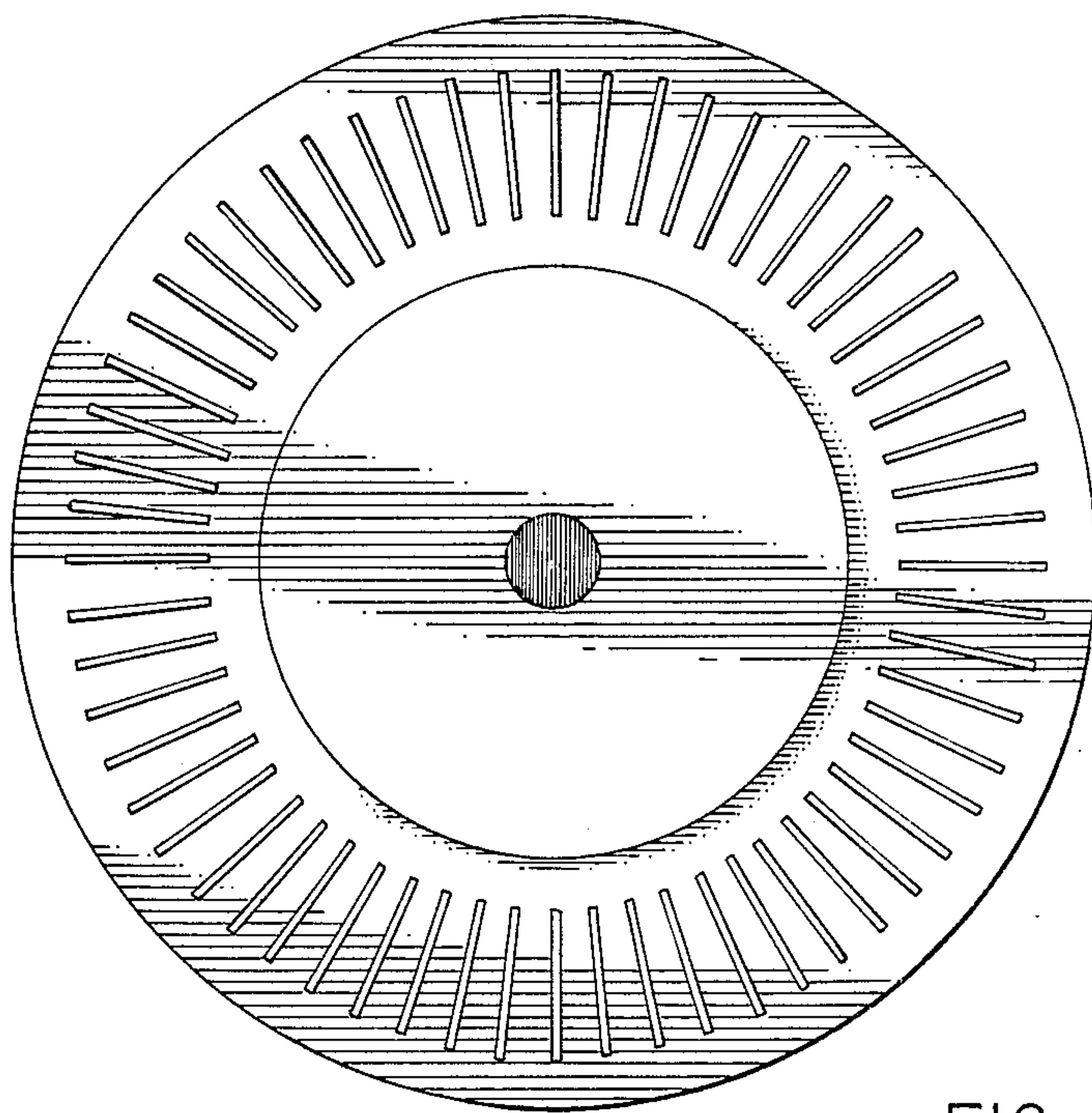


FIG. 4

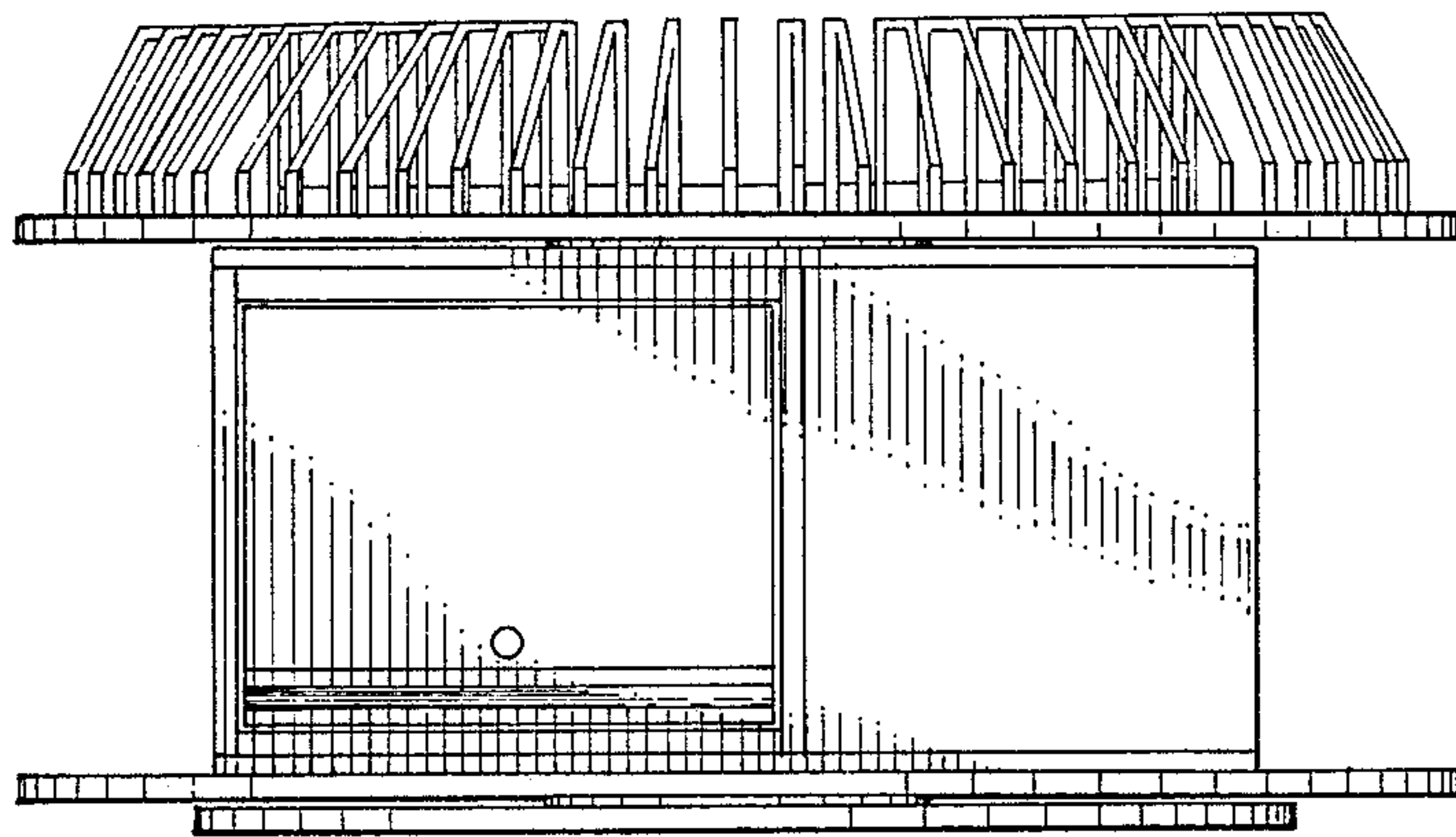


FIG. 5