

[54] **FACIAL TREATMENT UNIT OR THE LIKE**

[75] **Inventor: Nobuaki Takahashi, Tokyo, Japan**

[73] **Assignee: Comet Denki Kabushiki Kaisha, Japan**

[**] **Term: 14 Years**

[21] **Appl. No.: 846,982**

[22] **Filed: Mar. 26, 1986**

[52] **U.S. Cl. D28/9; D24/40**

[58] **Field of Search D28/4-7, D28/9, 99; D24/23, 36, 40, 41, 63, 64; 132/200, 202, 212, 333**

[56] **References Cited**

U.S. PATENT DOCUMENTS

- D. 216,852 3/1970 Farwick D28/9
- D. 286,921 11/1986 Takigawa D28/9

Primary Examiner—Louis S. Zarfes
Attorney, Agent, or Firm—Steinberg & Raskin

[57] **CLAIM**

The ornamental design for a facial treatment unit or the like, as shown and described.

DESCRIPTION

FIG. 1 is a top, front and right side perspective view of a facial treatment unit or the like when not in use, showing my new design;
FIG. 2 is a top plan view thereof;
FIG. 3 is a front elevational view thereof;
FIG. 4 is a left side elevational view thereof;
FIG. 5 is a back elevational view thereof;
FIG. 6 is a right side elevational view thereof;
FIG. 7 is a bottom plan view thereof;
FIG. 8 is a top, front and left side perspective view of a facial treatment unit or the like when in use, showing my new design;
FIG. 9 is a top plan view thereof;
FIG. 10 is a front elevational view thereof;
FIG. 11 is a left side elevational view thereof;
FIG. 12 is a back elevational view thereof;
FIG. 13 is a right side elevational view thereof; and
FIG. 14 is a bottom plan view thereof.

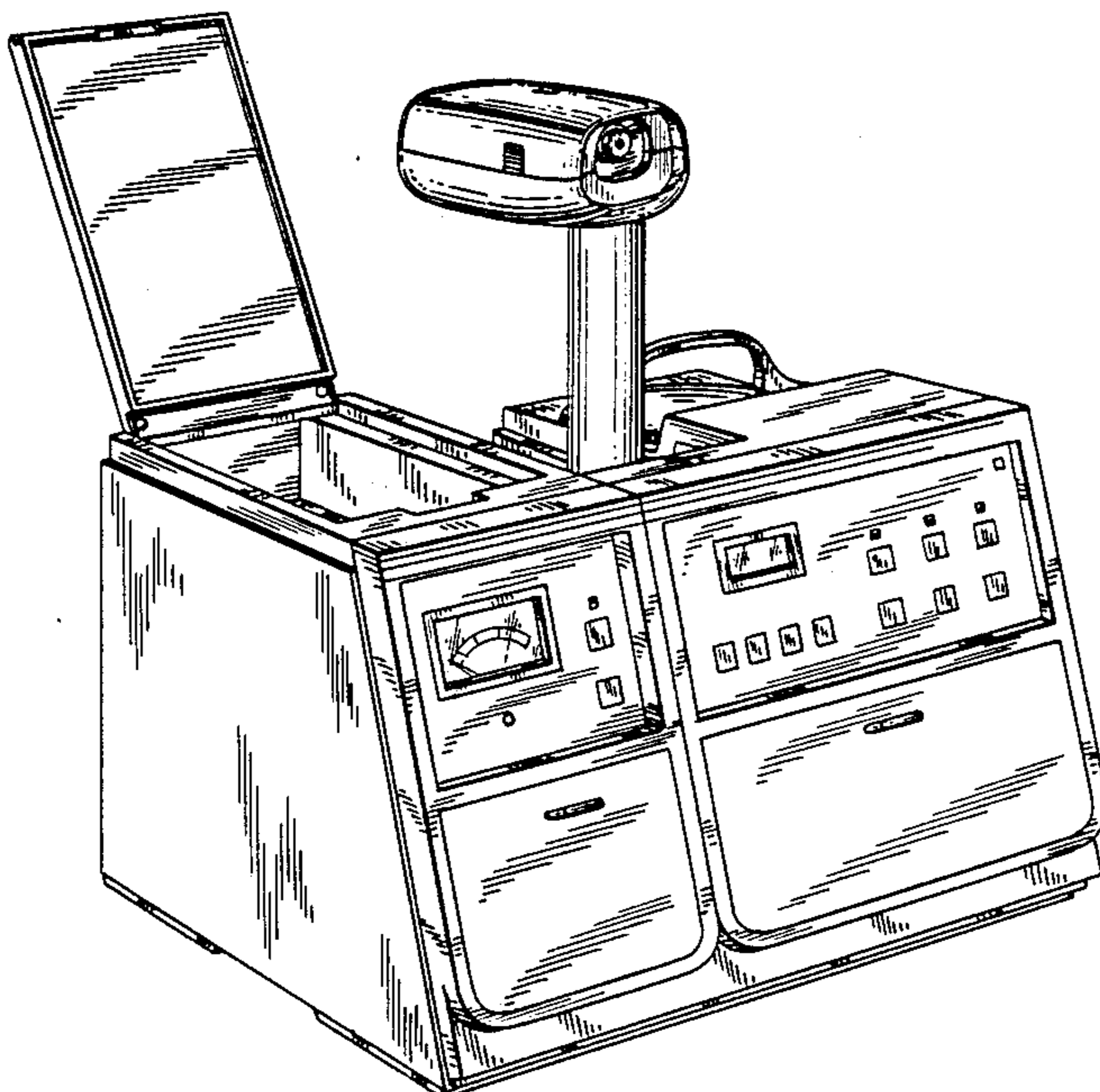


FIG. 1

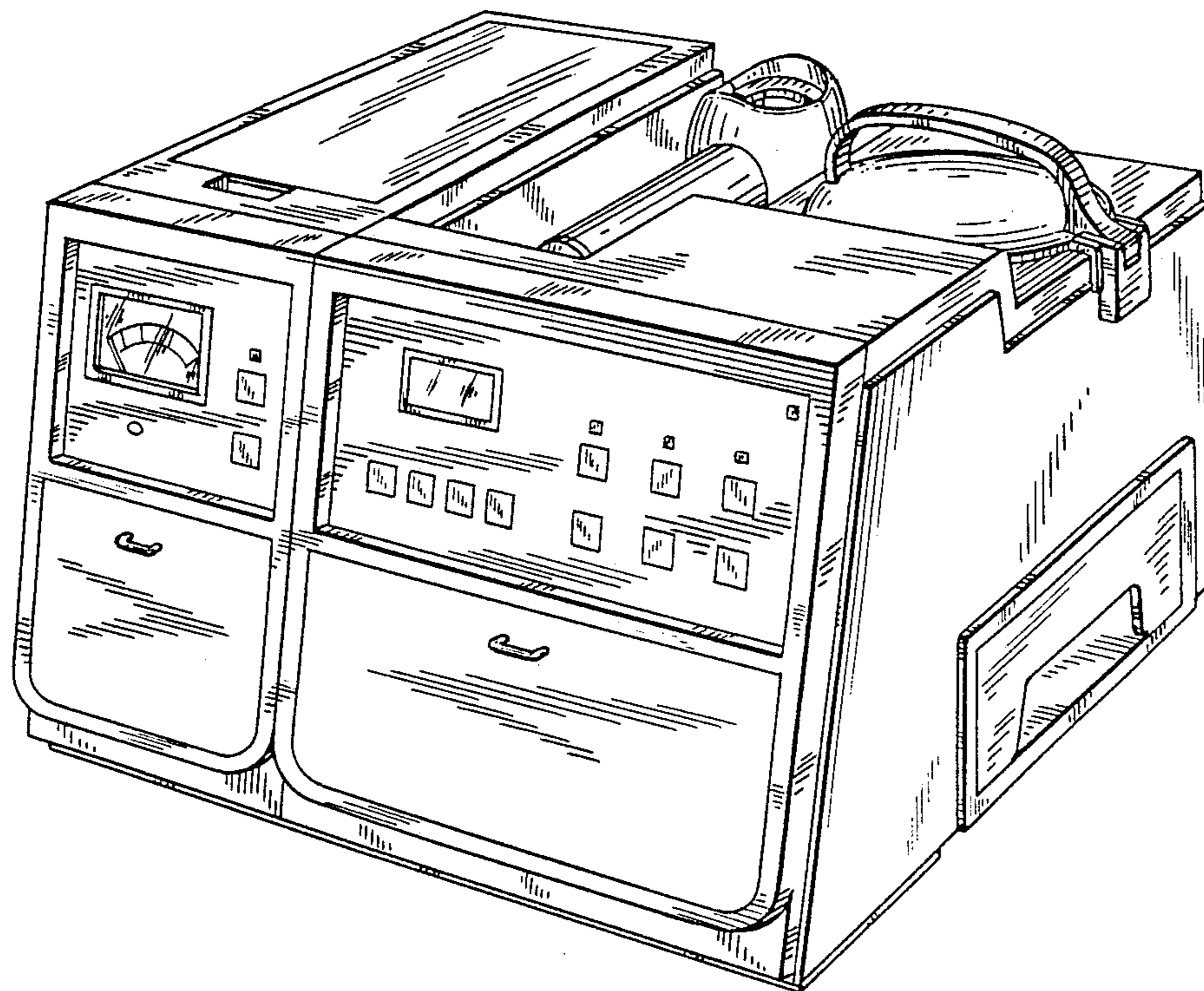


FIG. 2

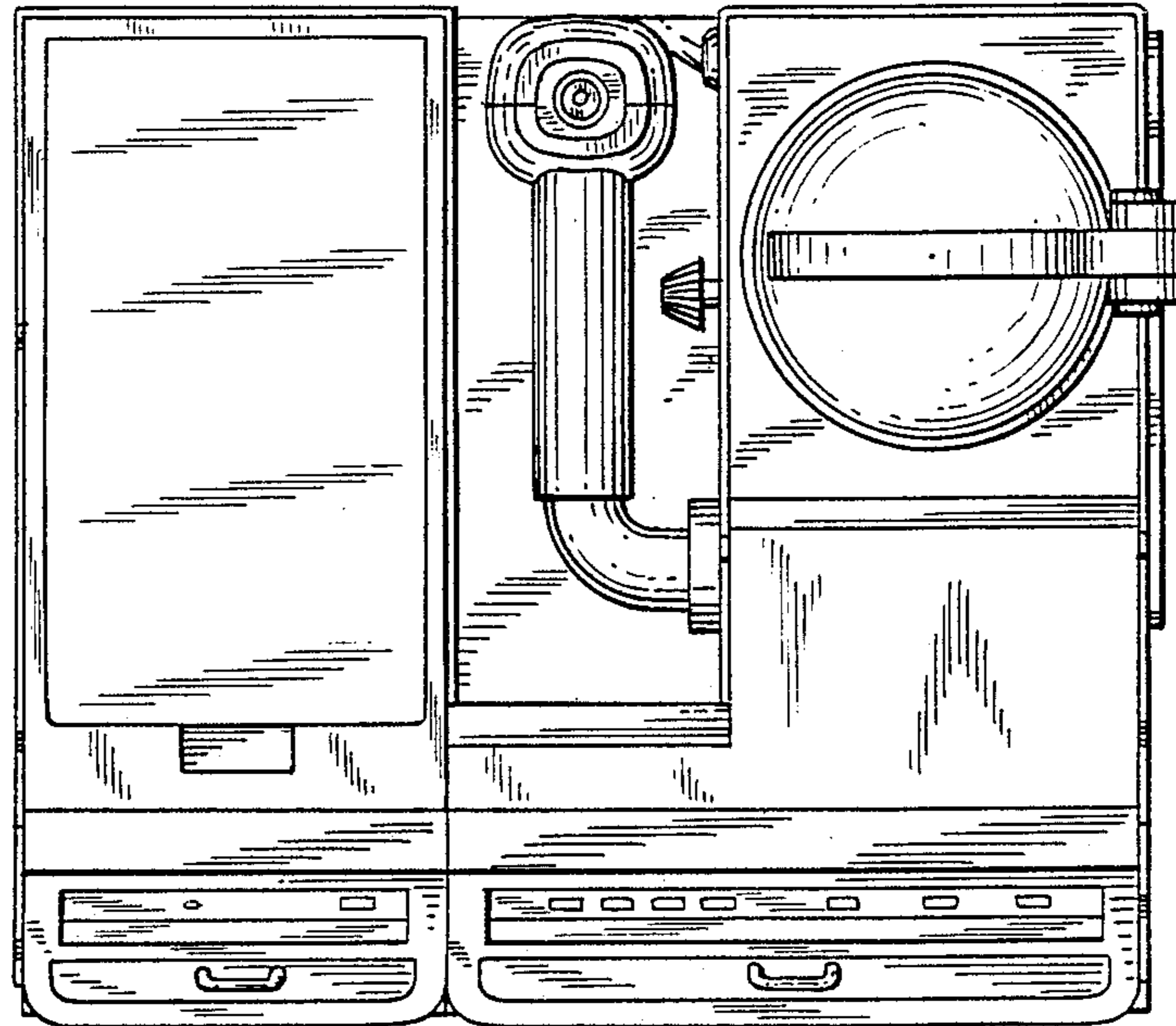


FIG. 3

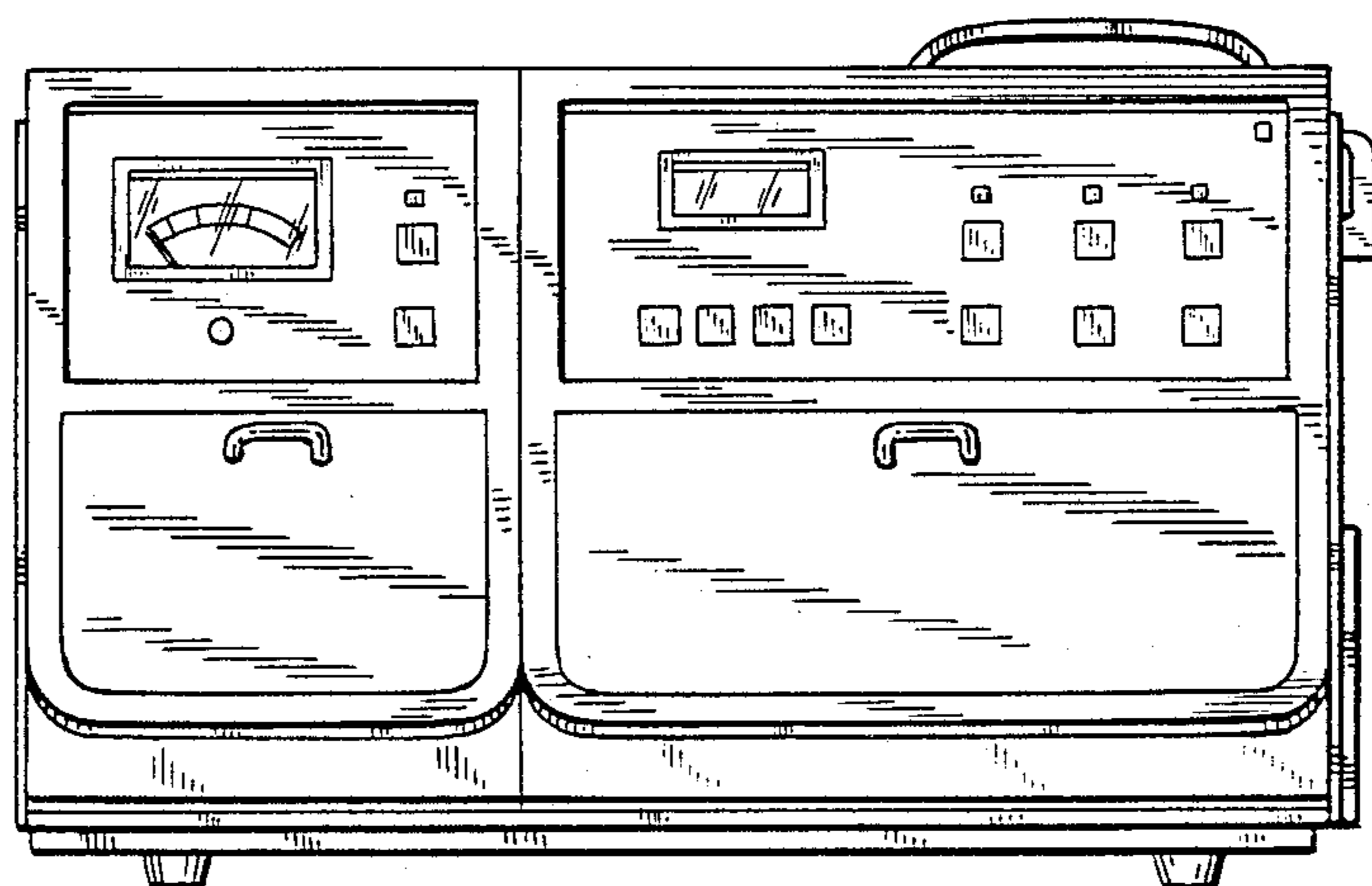


FIG. 4

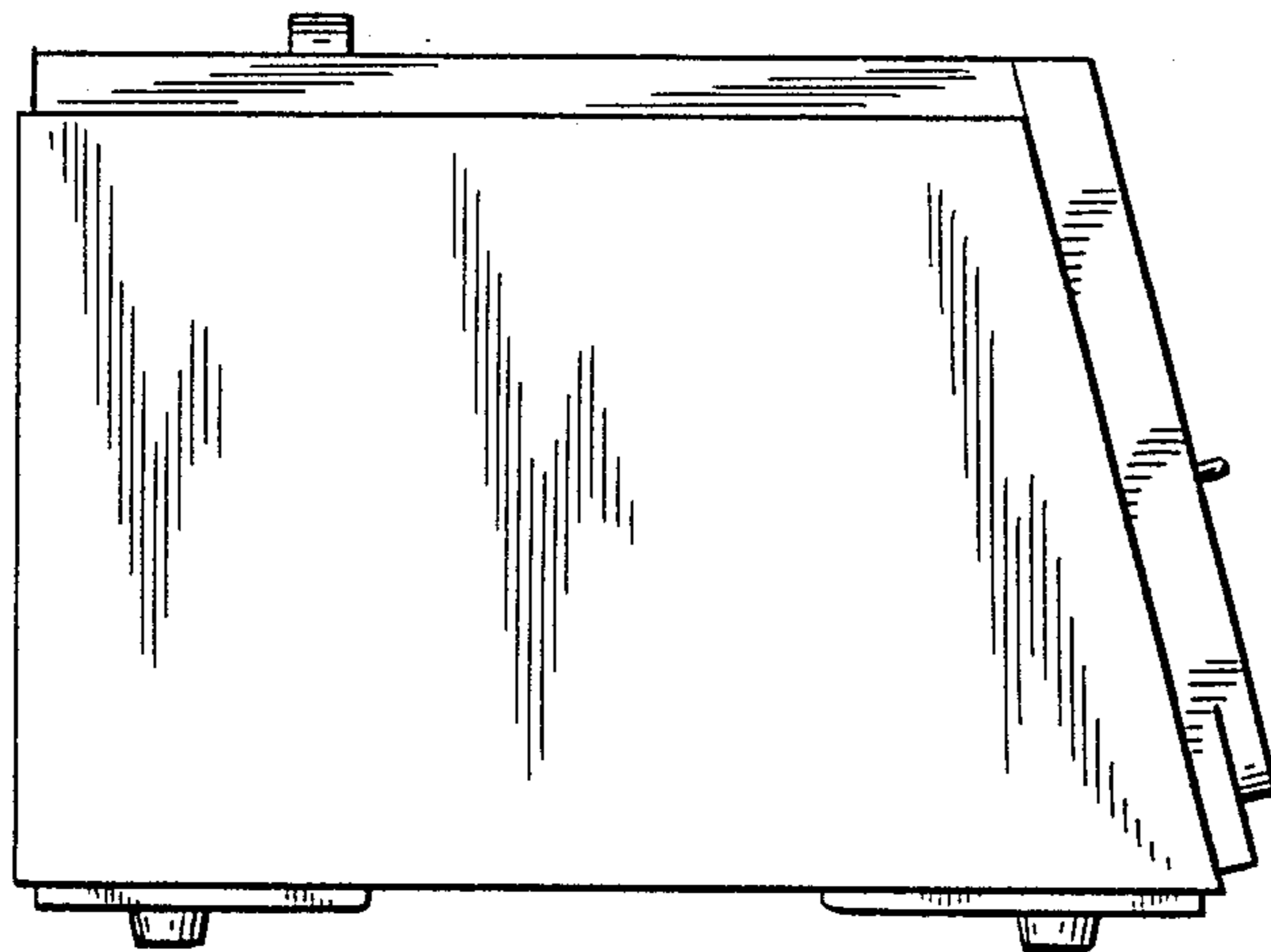


FIG. 5

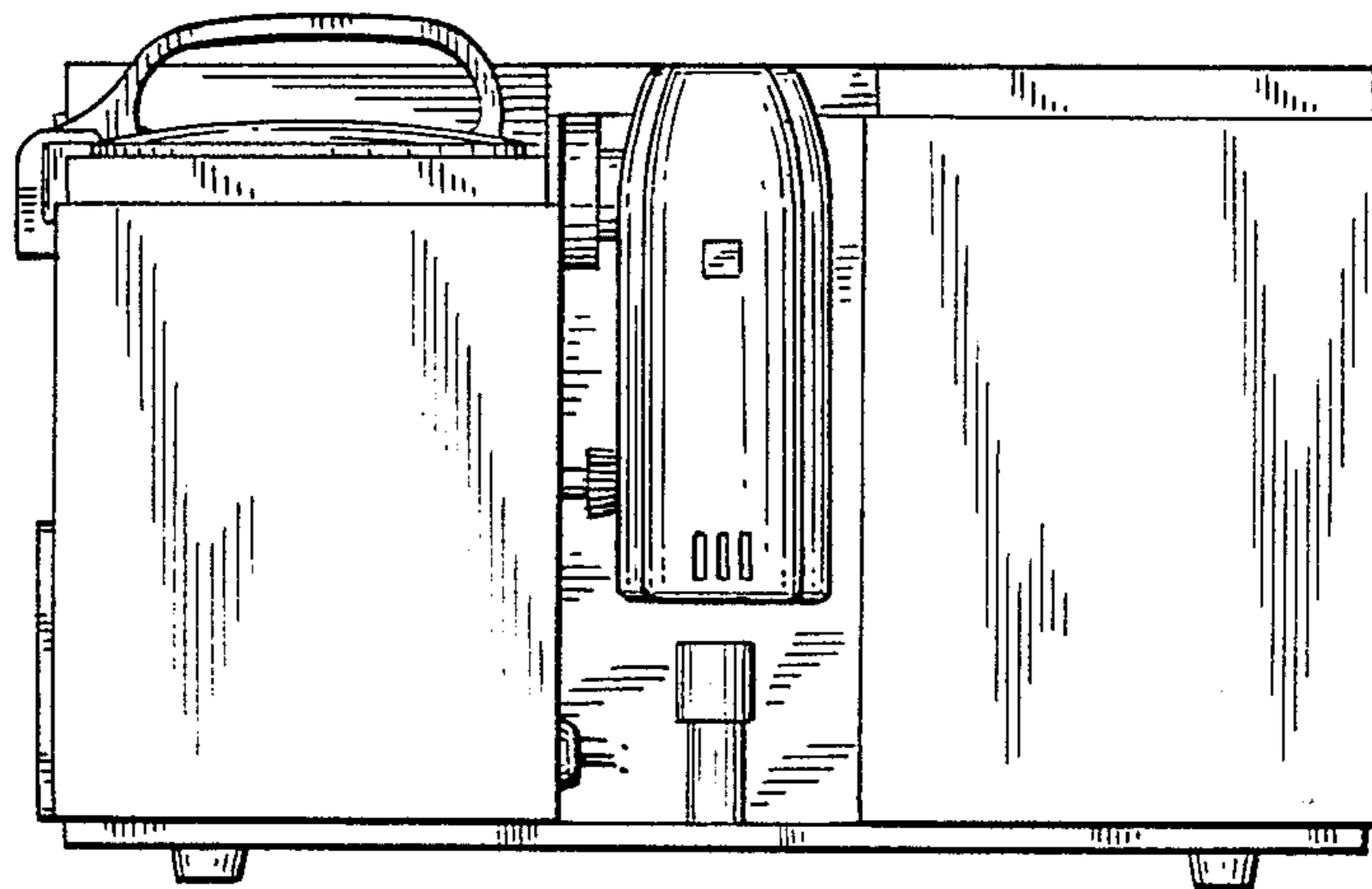


FIG. 6

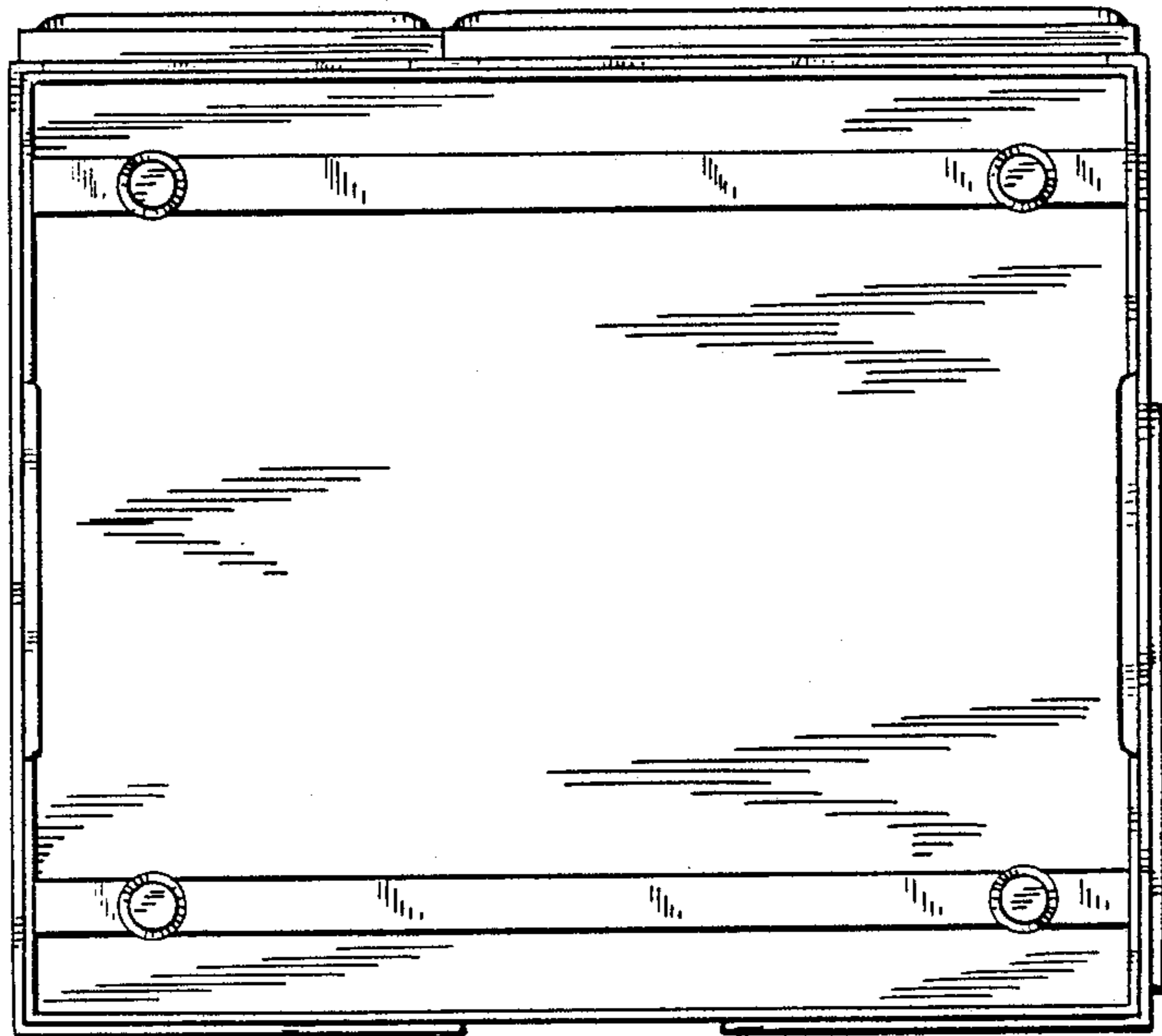
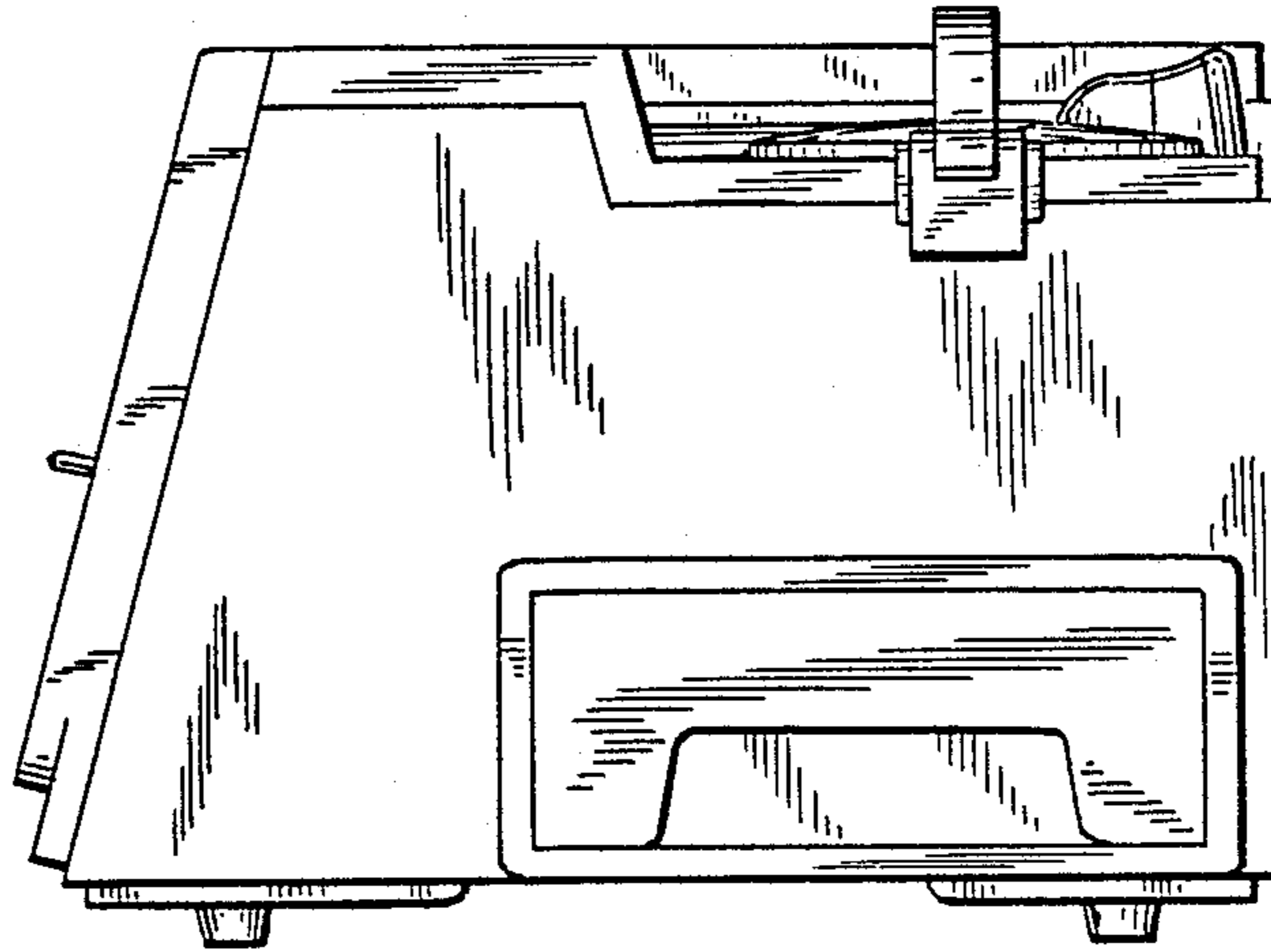
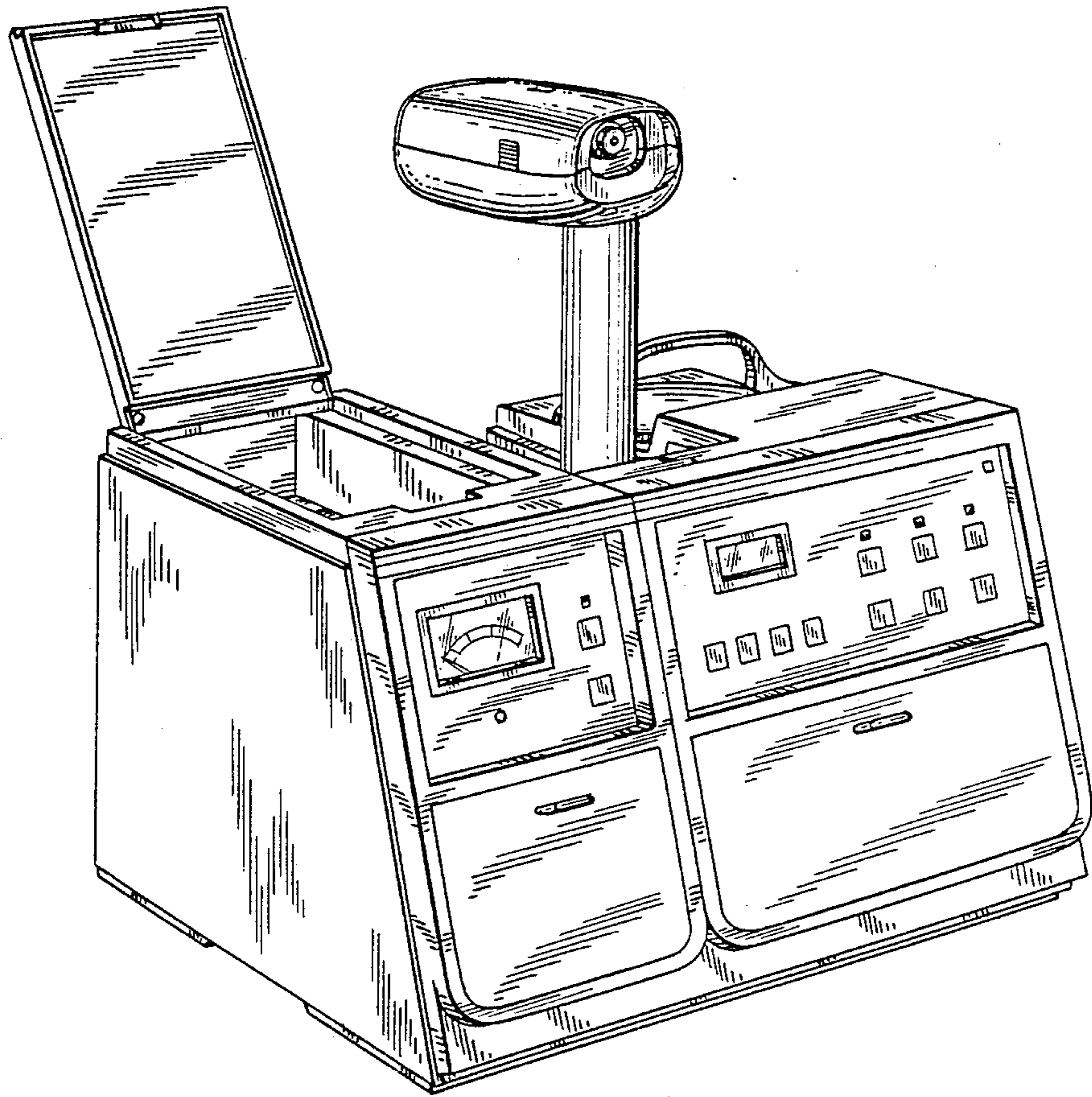
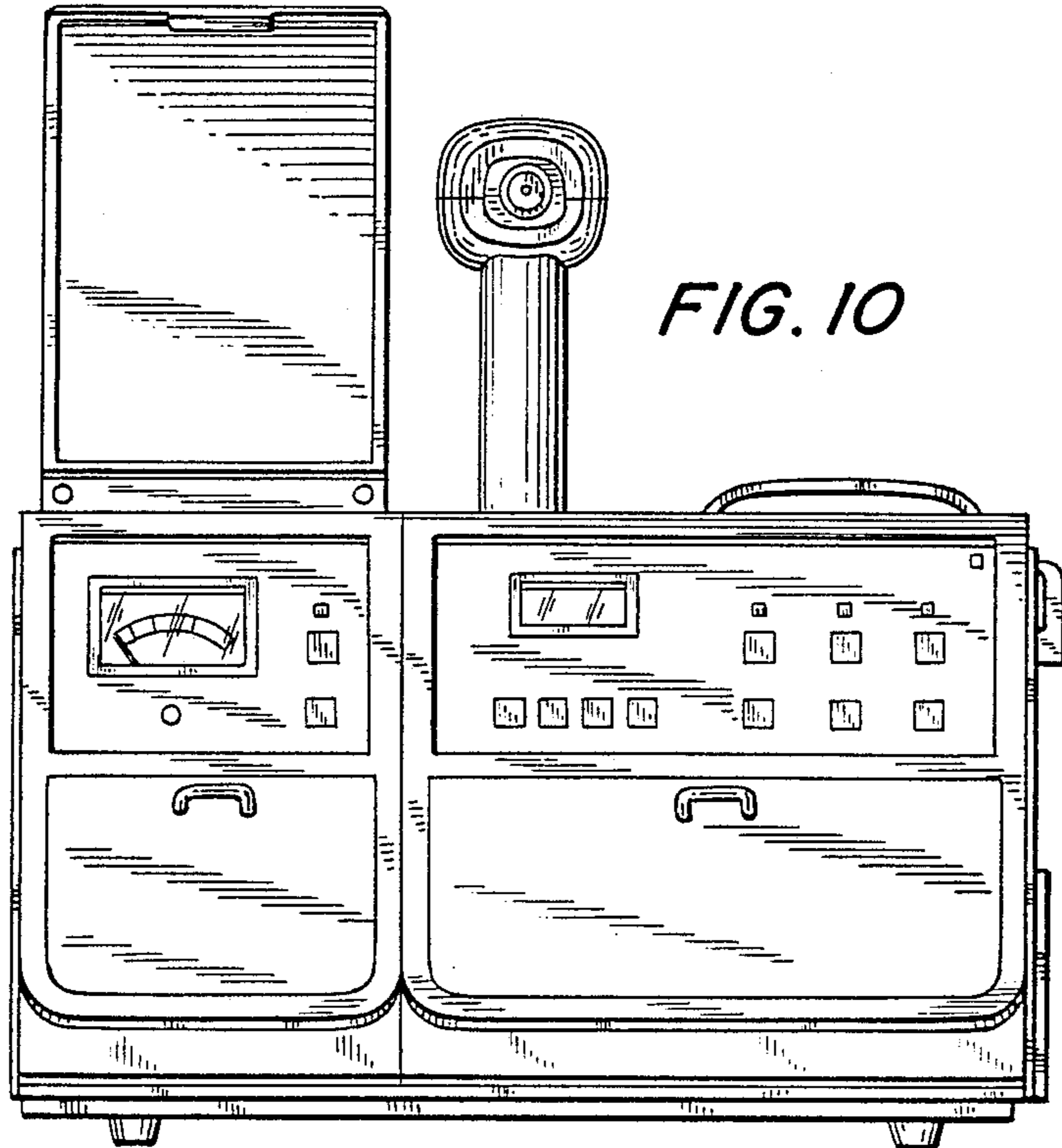
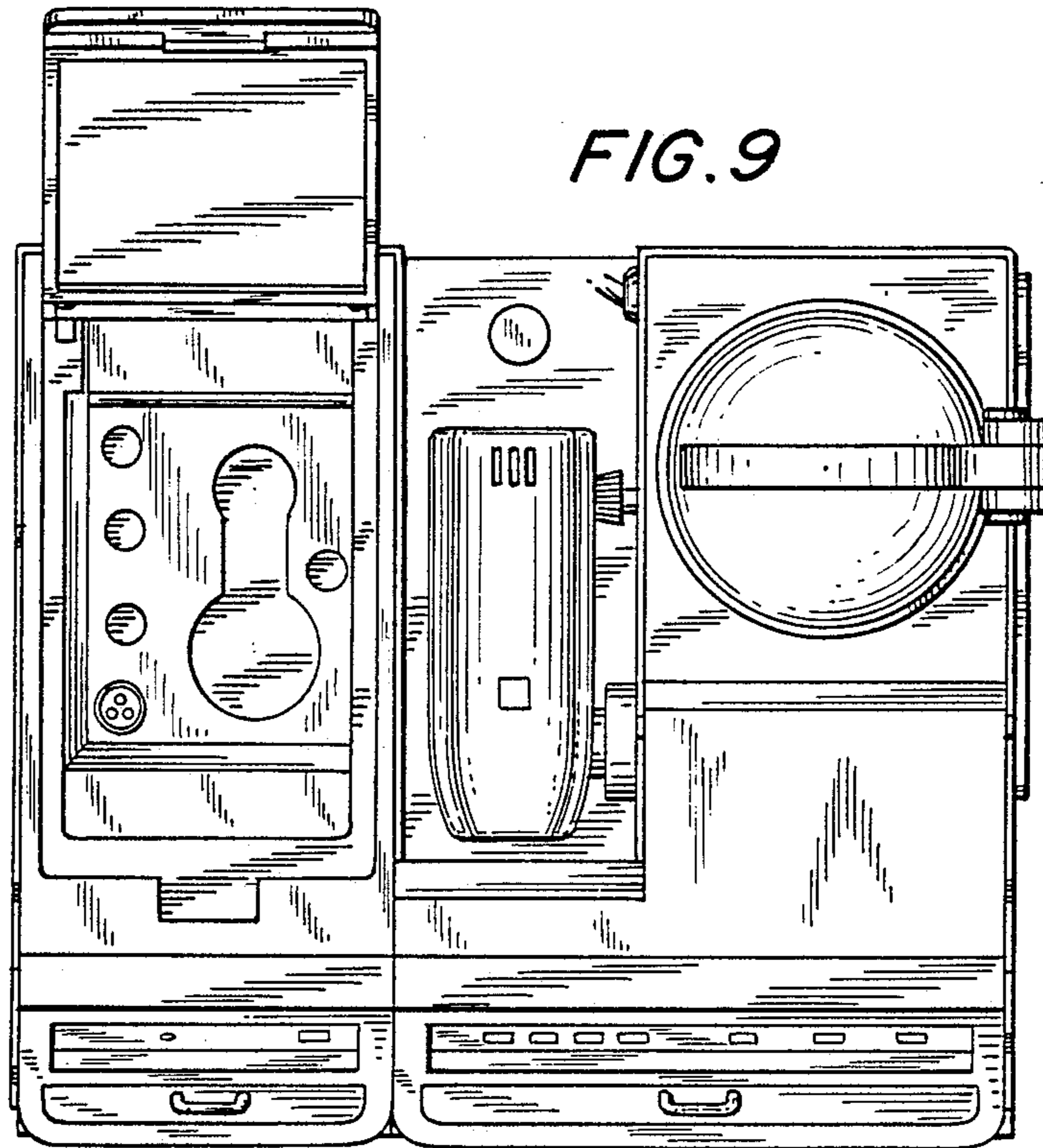


FIG. 7

FIG. 8





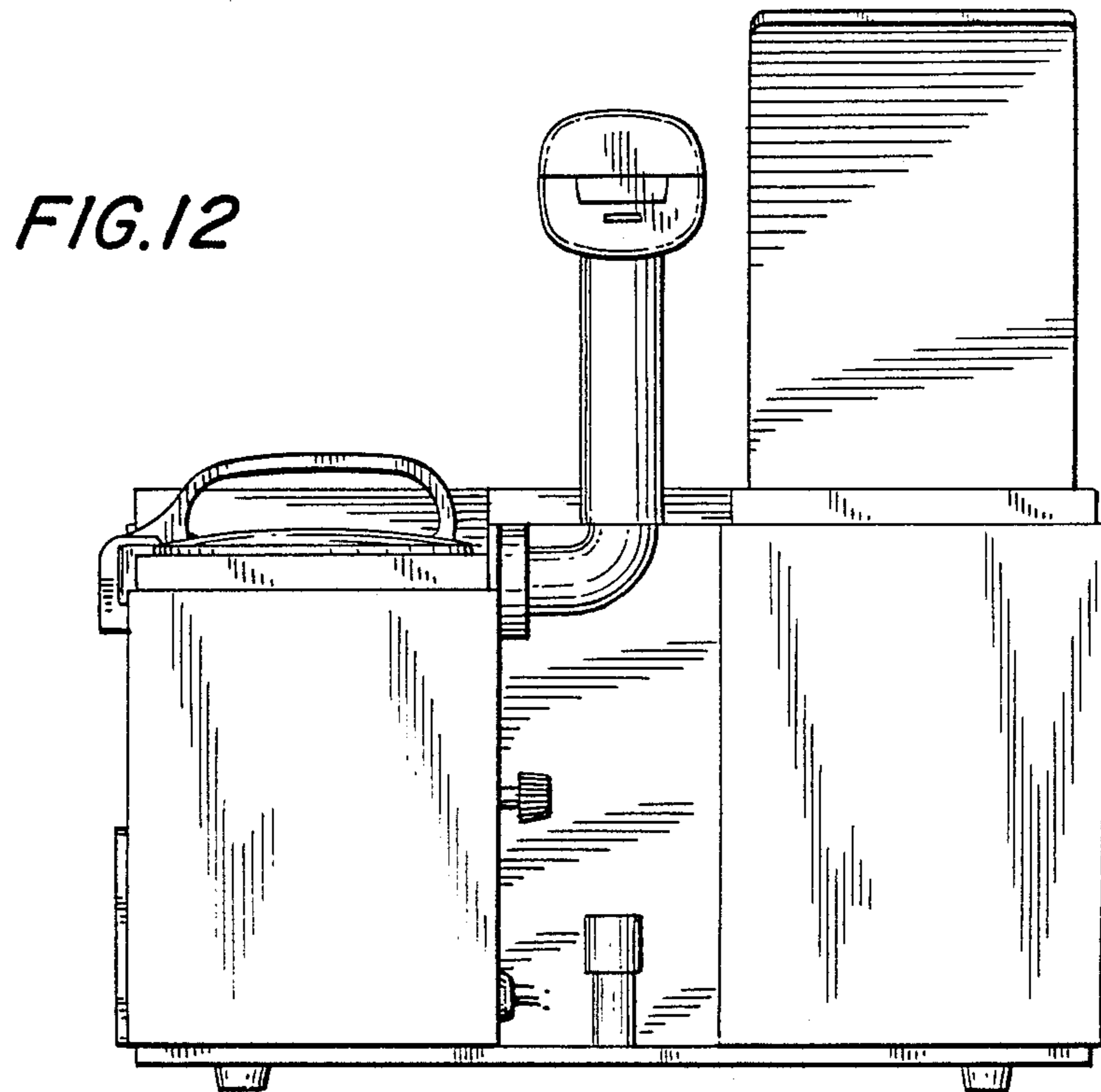
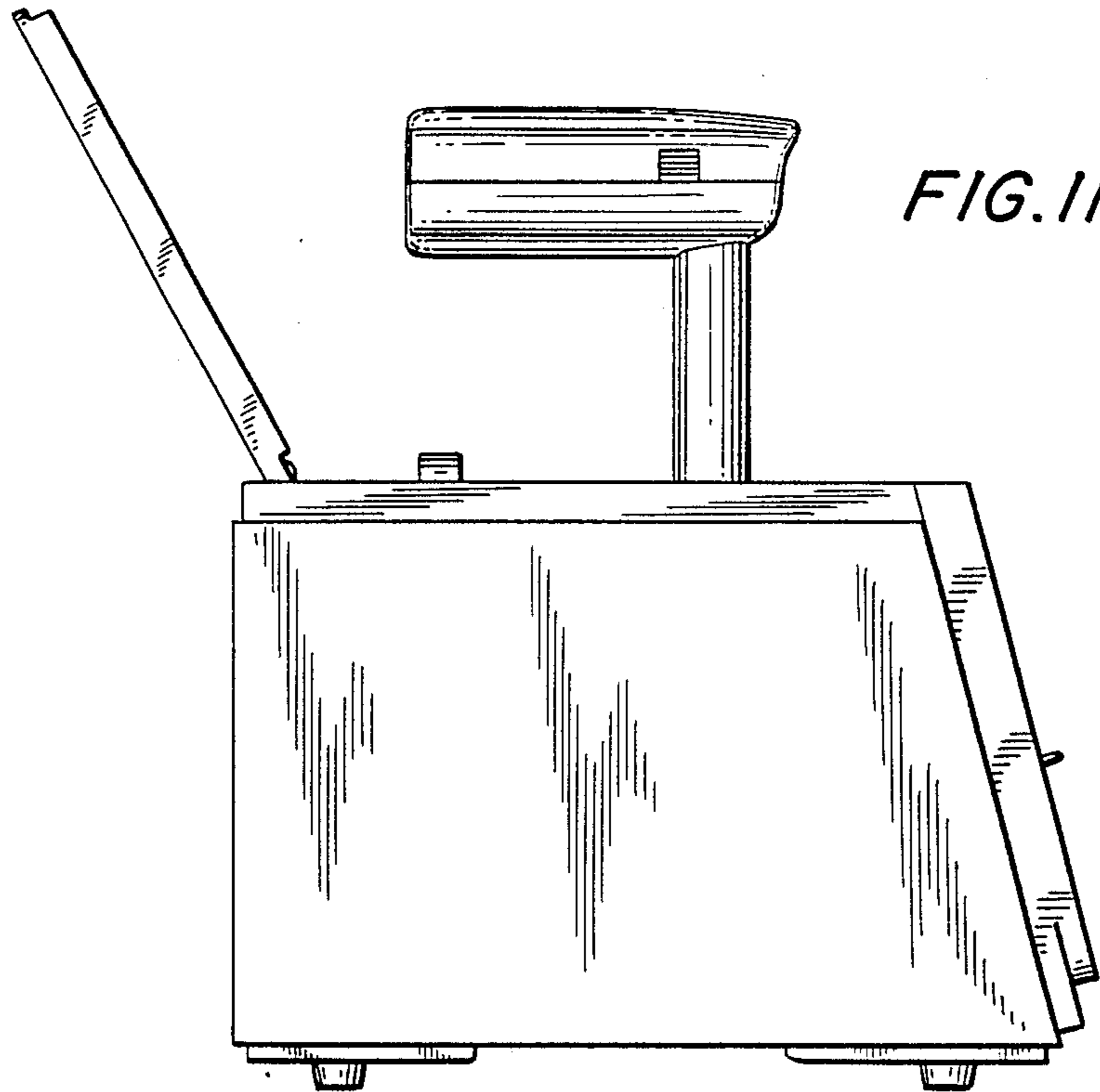


FIG.13

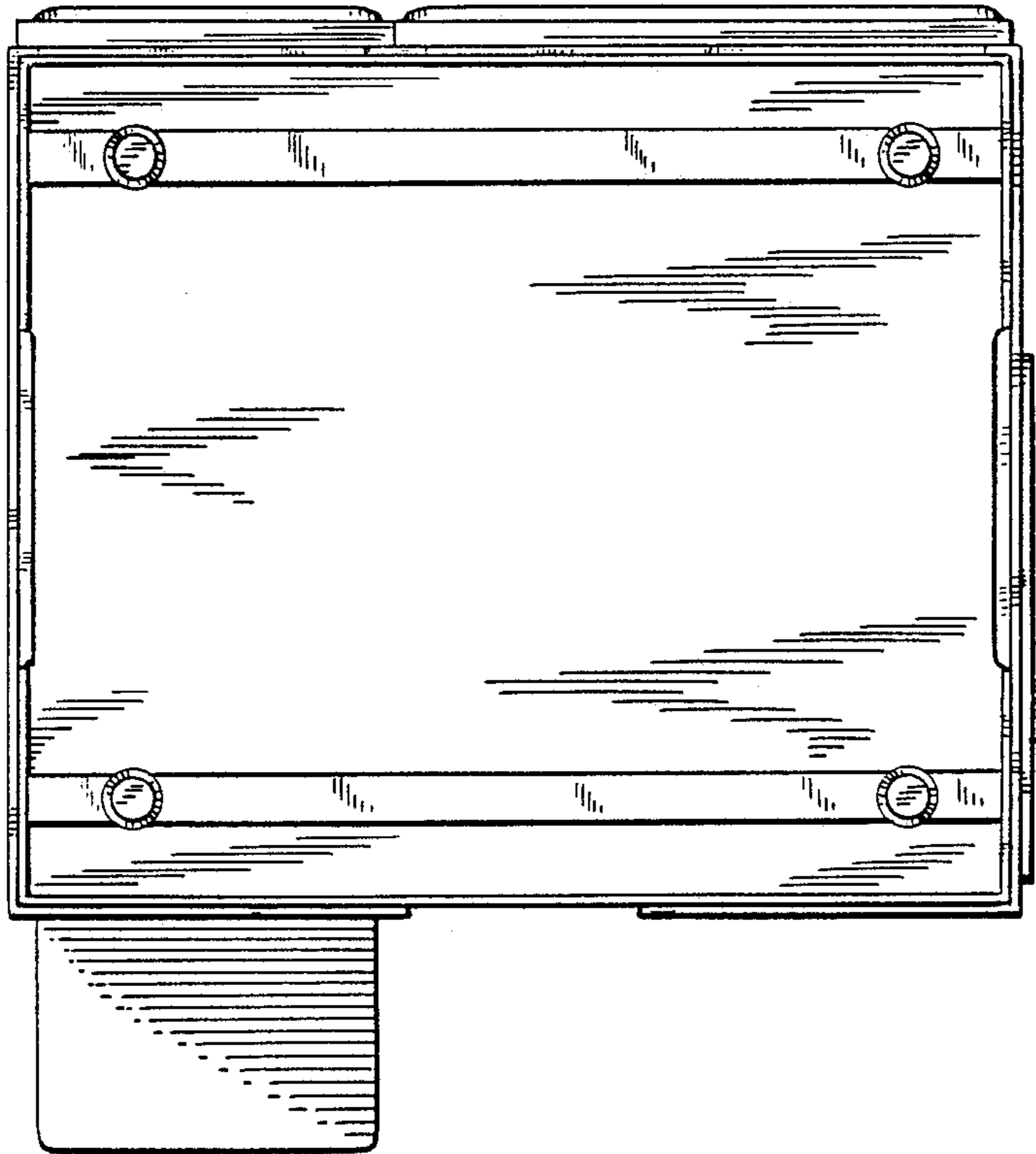
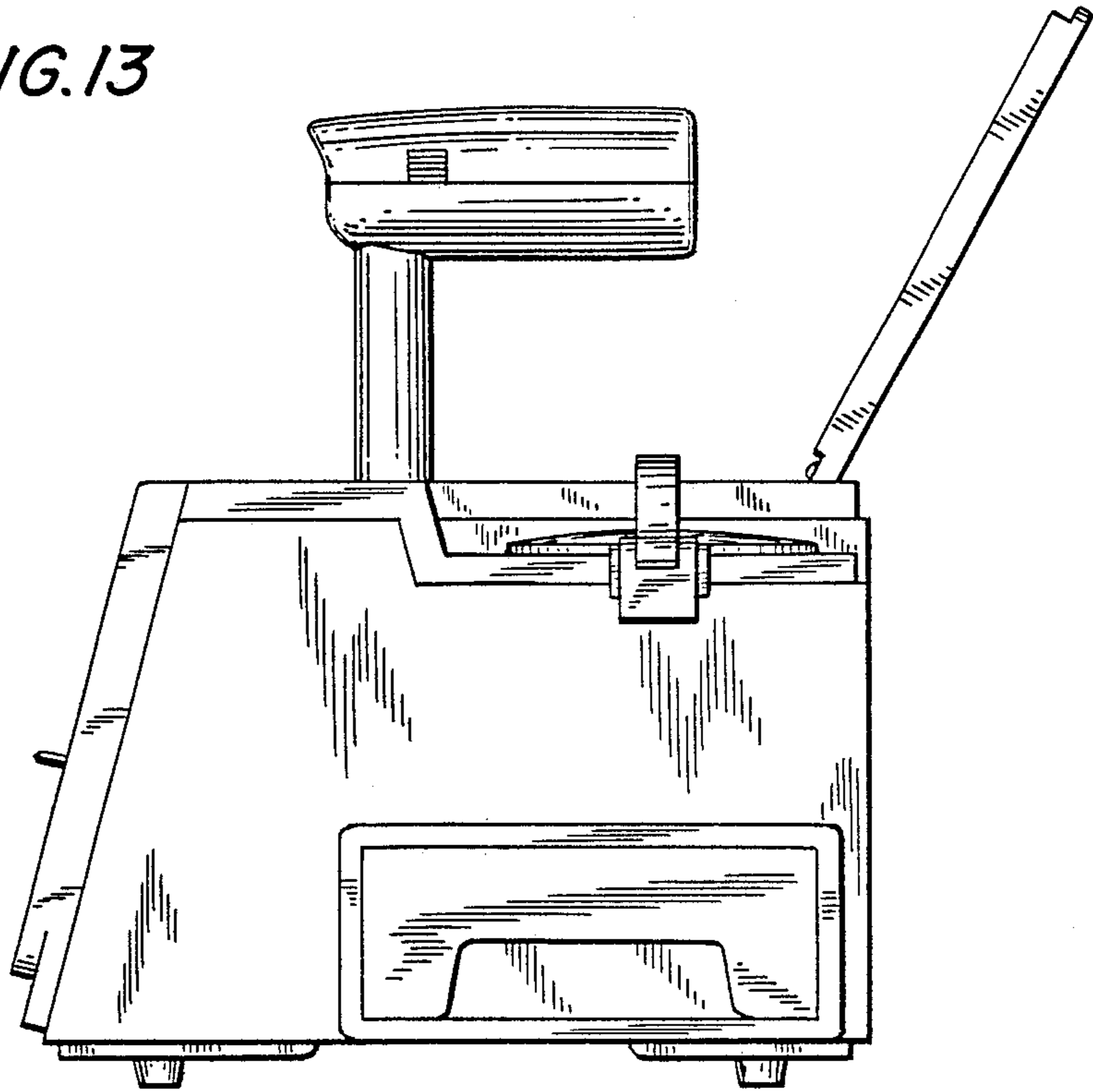


FIG.14