

[54] ADJUSTABLE DIRECTIONAL LIGHTING FIXTURE OR SIMILAR ARTICLE

[75] Inventors: Martin L. Lasker, Edison, N.J.; Joel S. Cohen, Oakland, Calif.

[73] Assignee: Prescolite Inc., San Leandro, Calif.

[*] Notice: The portion of the term of this patent subsequent to Feb. 9, 2002 has been disclaimed.

[**] Term: 14 Years

[21] Appl. No.: 851,366

[22] Filed: Apr. 10, 1986

Related U.S. Application Data

[63] Continuation-in-part of Ser. No. 783,839, Oct. 8, 1985.

[52] U.S. Cl. D26/65

[58] Field of Search D26/24, 61-66; 362/269, 275, 285, 291, 310, 311, 362, 418, 427

References Cited

U.S. PATENT DOCUMENTS

D. 152,348	1/1949	Mehr	D26/61	X
D. 292,235	10/1987	Roos	D26/65	
3,001,061	9/1961	Moore	D26/63	X
4,581,689	4/1986	Oram	362/275	

OTHER PUBLICATIONS

Light & Lighting, 11-1970, p. 310, Concord (Rotaflex) Floodlight.

Nutone Track, Recessed, Fluorescent, Specialty Lighting Catalog, 1982, p. 29, Wall Wash #687-18-76.

Primary Examiner—Susan J. Lucas

Attorney, Agent, or Firm—Bielen & Peterson

[57] CLAIM

The ornamental design for an adjustable directional lighting fixture or similar article, as shown and described.

DESCRIPTION

FIG. 1 is a top, front, right side perspective view of an adjustable lighting fixture showing our new design; FIG. 2 is a front elevational view thereof; FIG. 3 is a top plan view thereof; FIG. 4 is a bottom plan view thereof; FIG. 5 is a side elevational view thereof, the opposite side being a mirror image; FIG. 6 is a top, front, left side perspective view of a second embodiment of our new design; FIG. 7 is a front elevational view thereof; FIG. 8 is a top plan view thereof; FIG. 9 is a bottom plan view thereof; FIG. 10 is a side elevational view thereof, the opposite side being a mirror image; FIG. 11 is a front elevational view of a third embodiment of our new design, the third embodiment being identical to the second embodiment except for the configuration of the front; FIG. 12 is a top, front, right side perspective view of a fourth embodiment of our new design; FIG. 13 is a front elevational view thereof; FIG. 14 is a side elevational view thereof, the opposite side being a mirror image; FIG. 15 is a top plan view thereof; FIG. 16 is a rear elevational view thereof; FIG. 17 is a bottom plan view thereof. The broken lines are shown for illustrative purposes only.

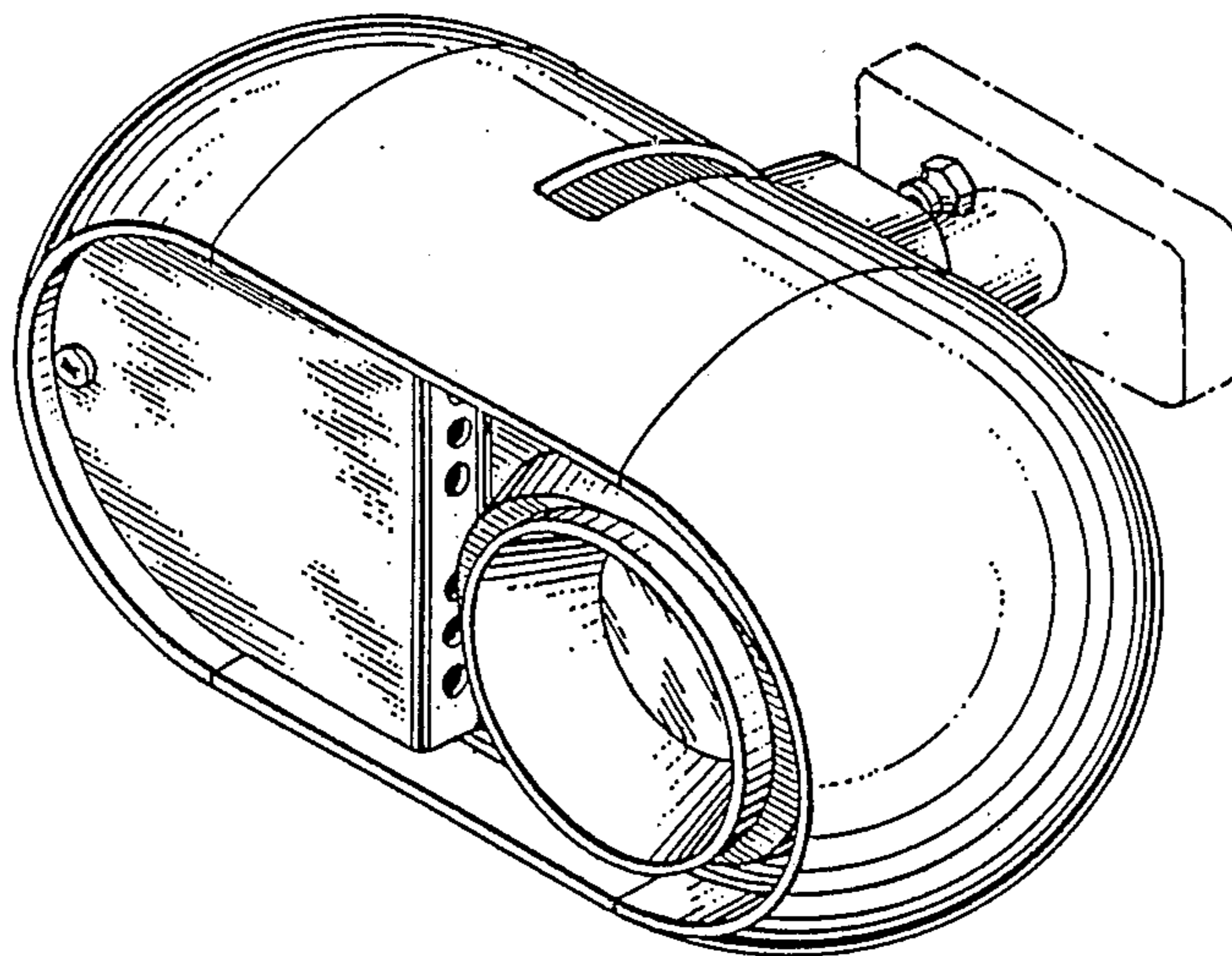


FIG-1

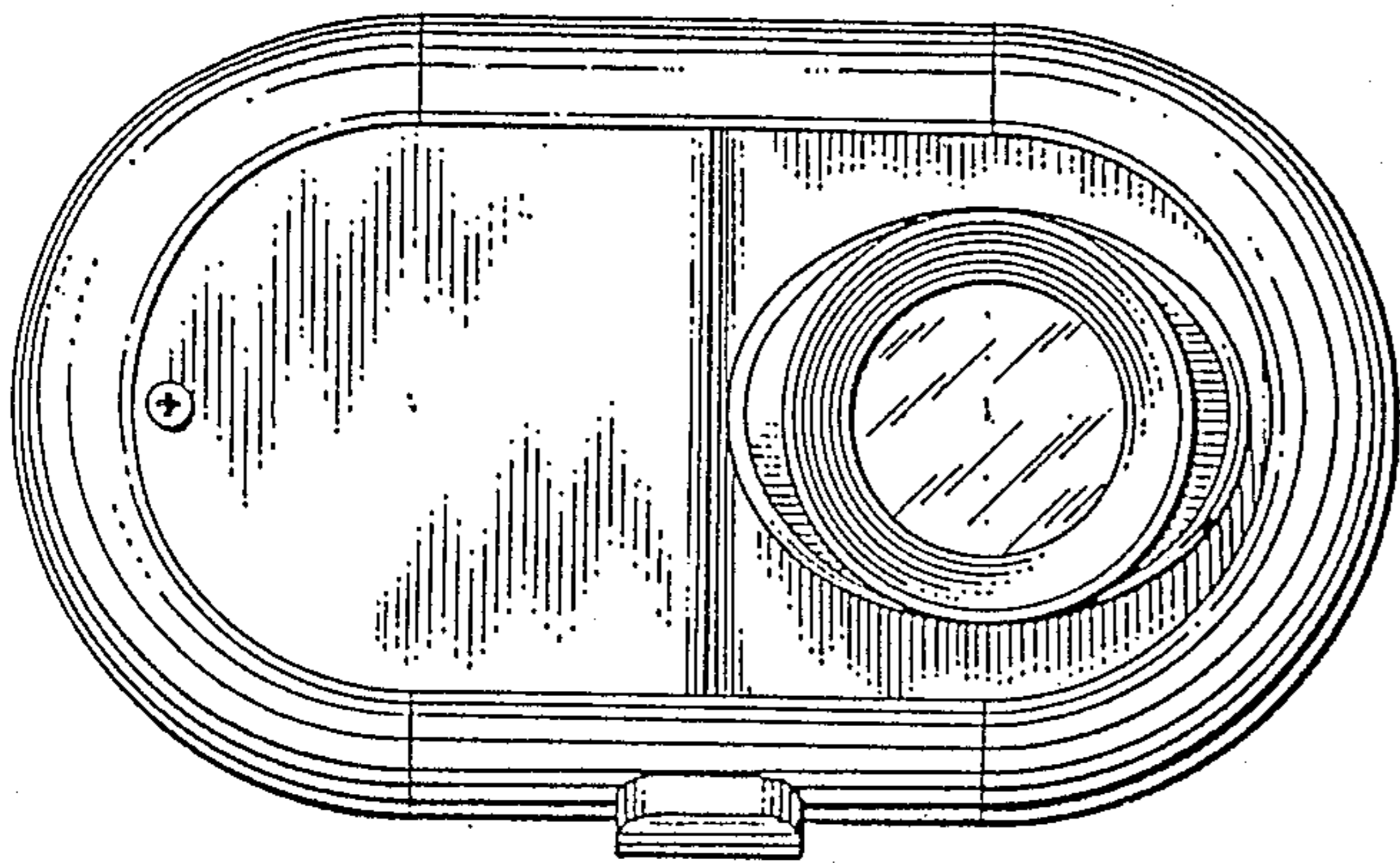
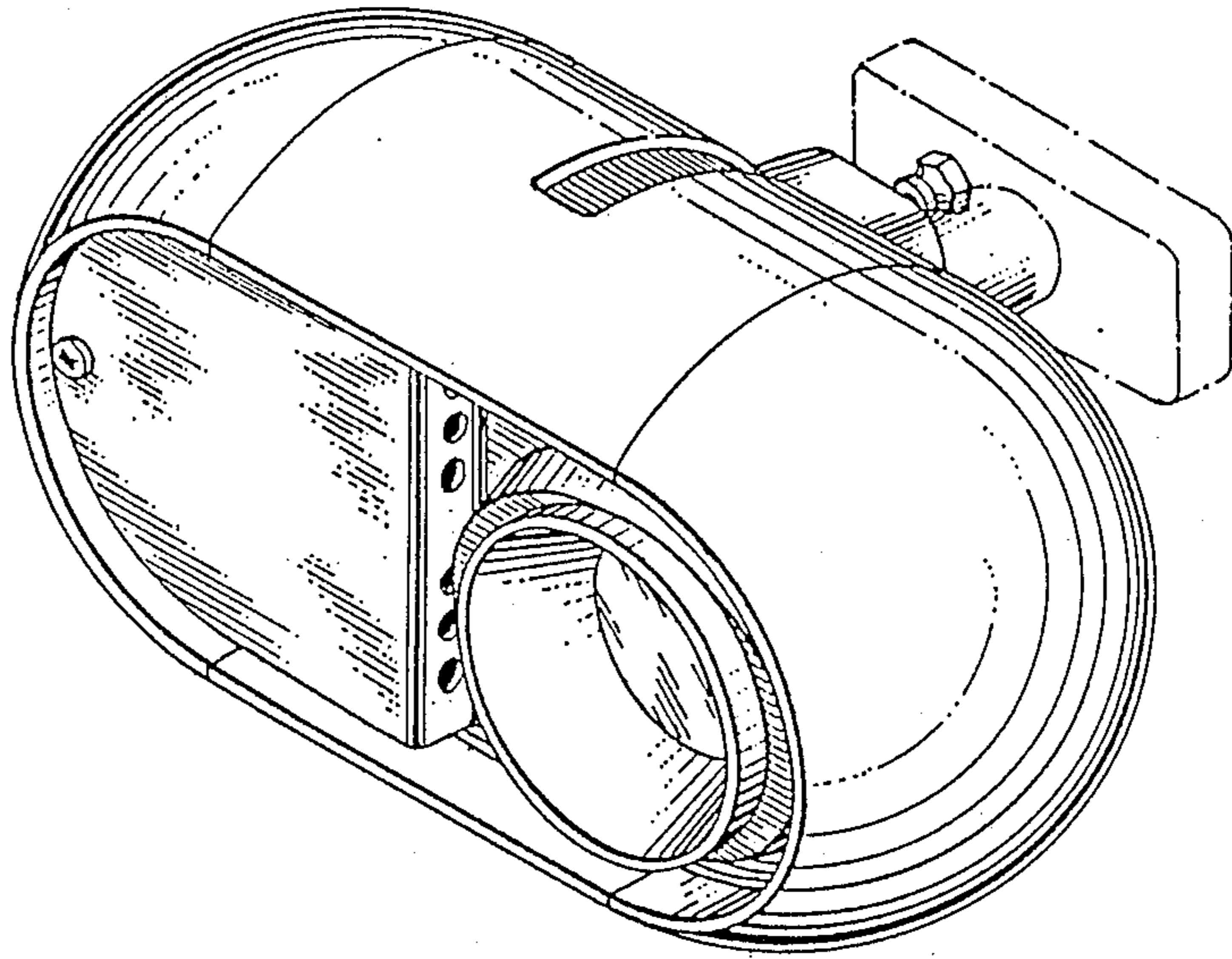


FIG-2

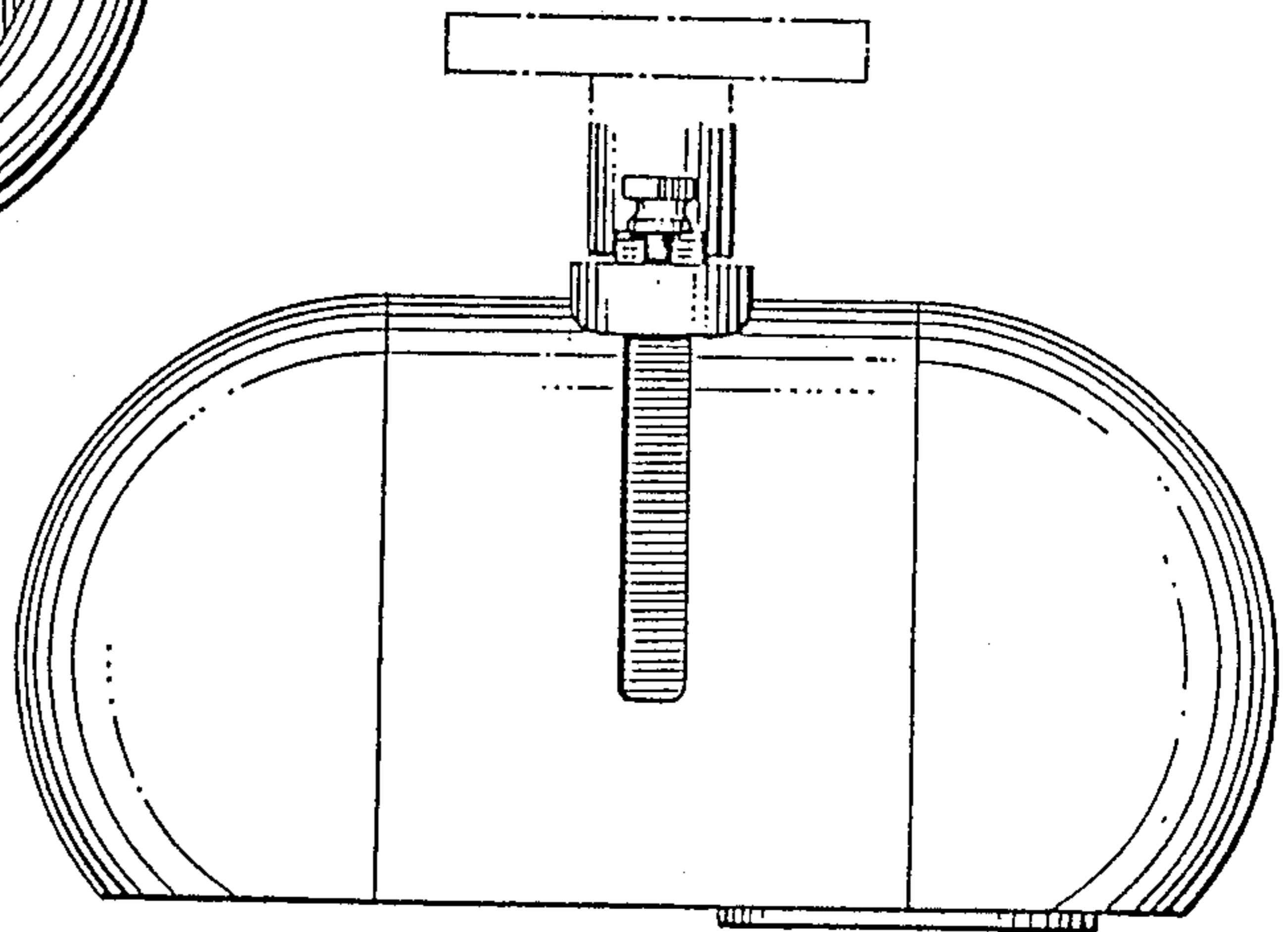


FIG-3

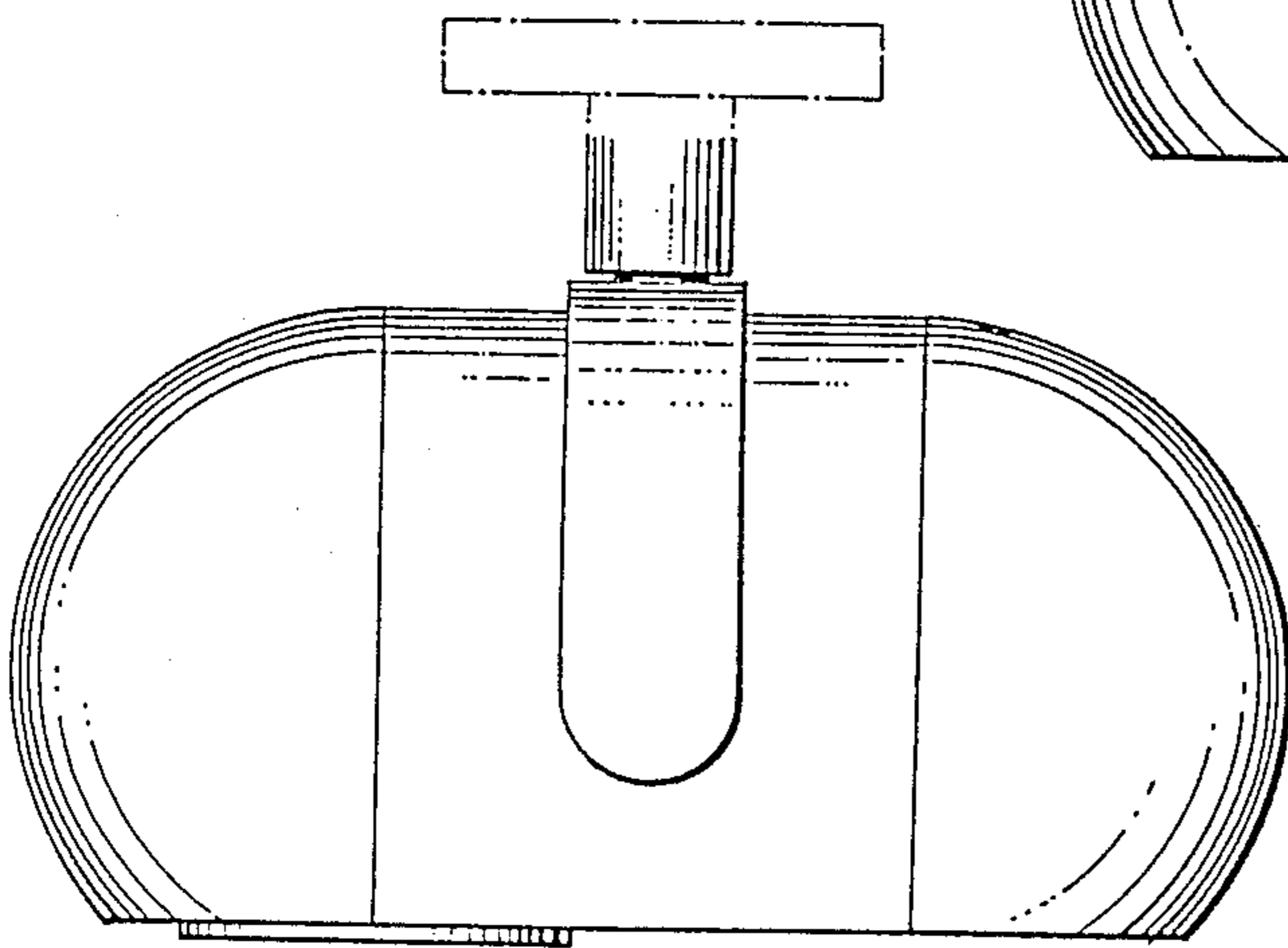


FIG-4

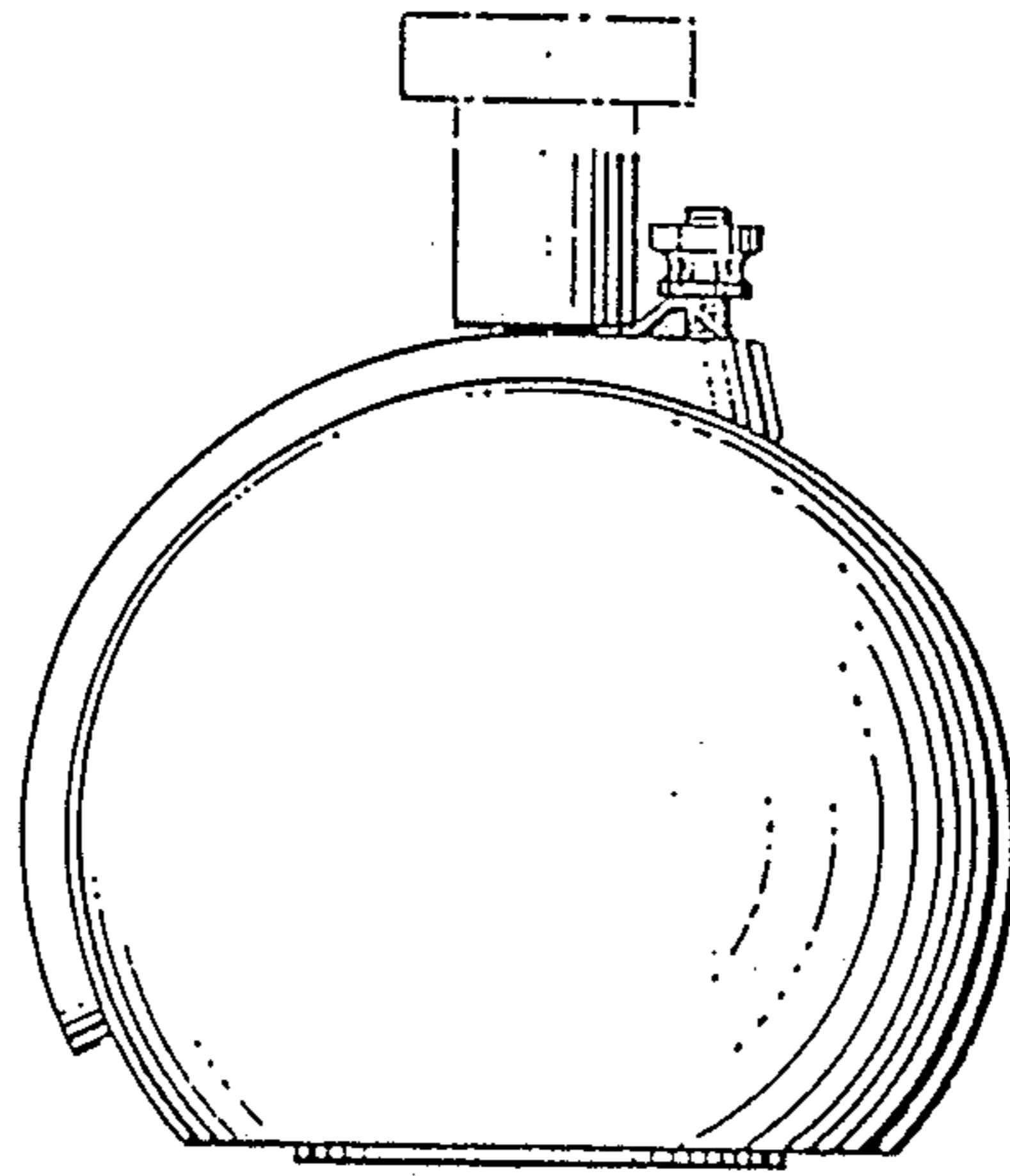


FIG. 5

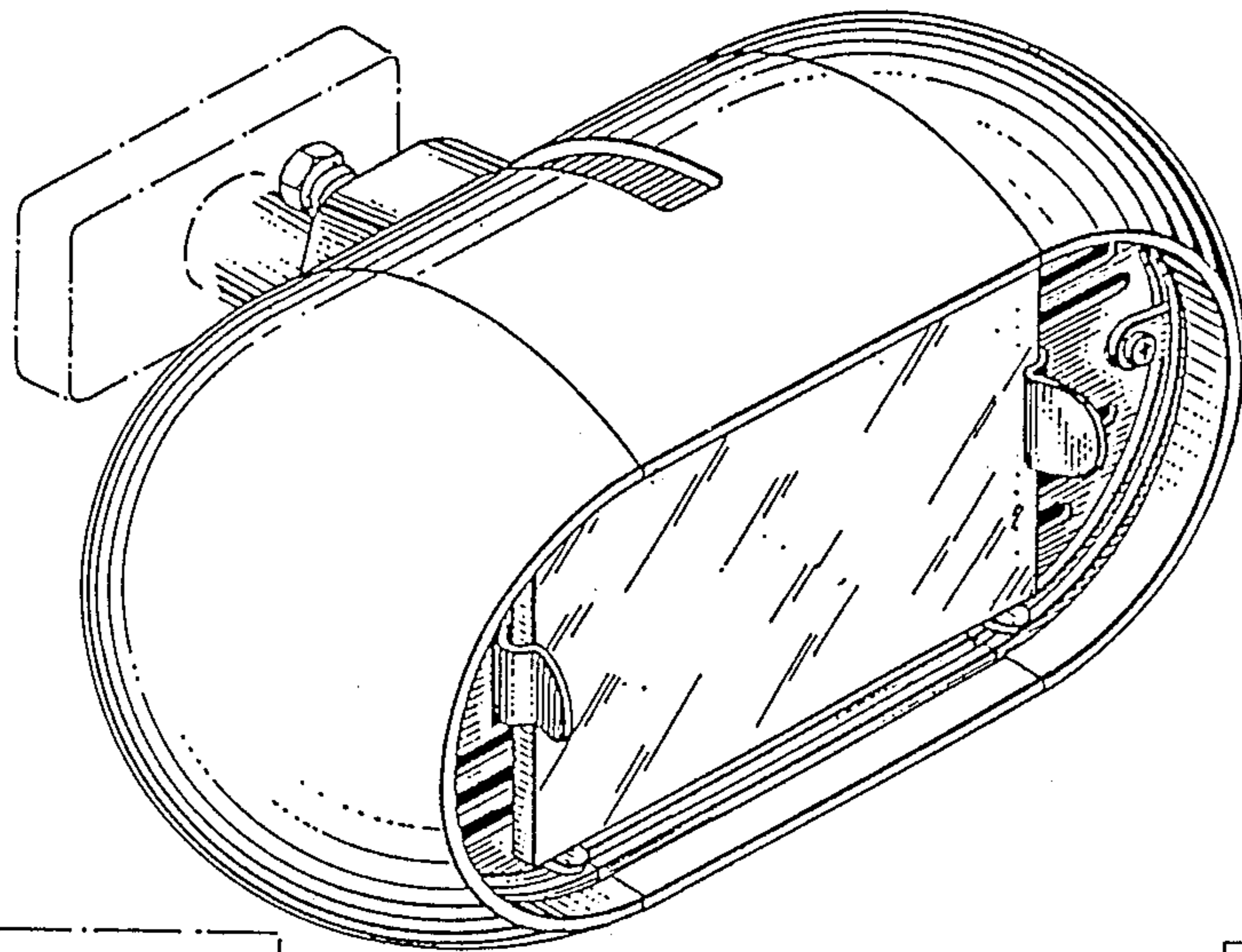


FIG-6

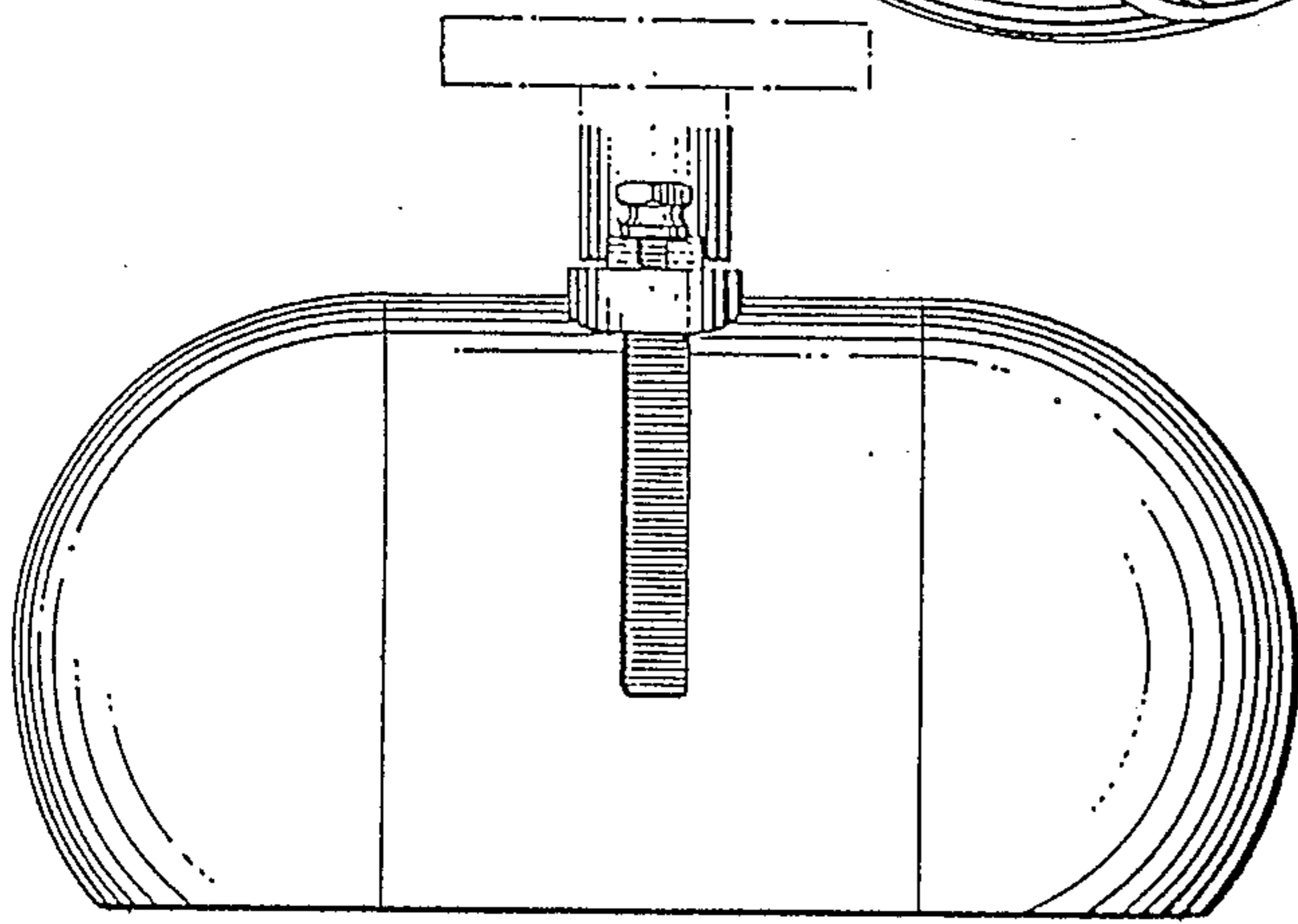


FIG-8

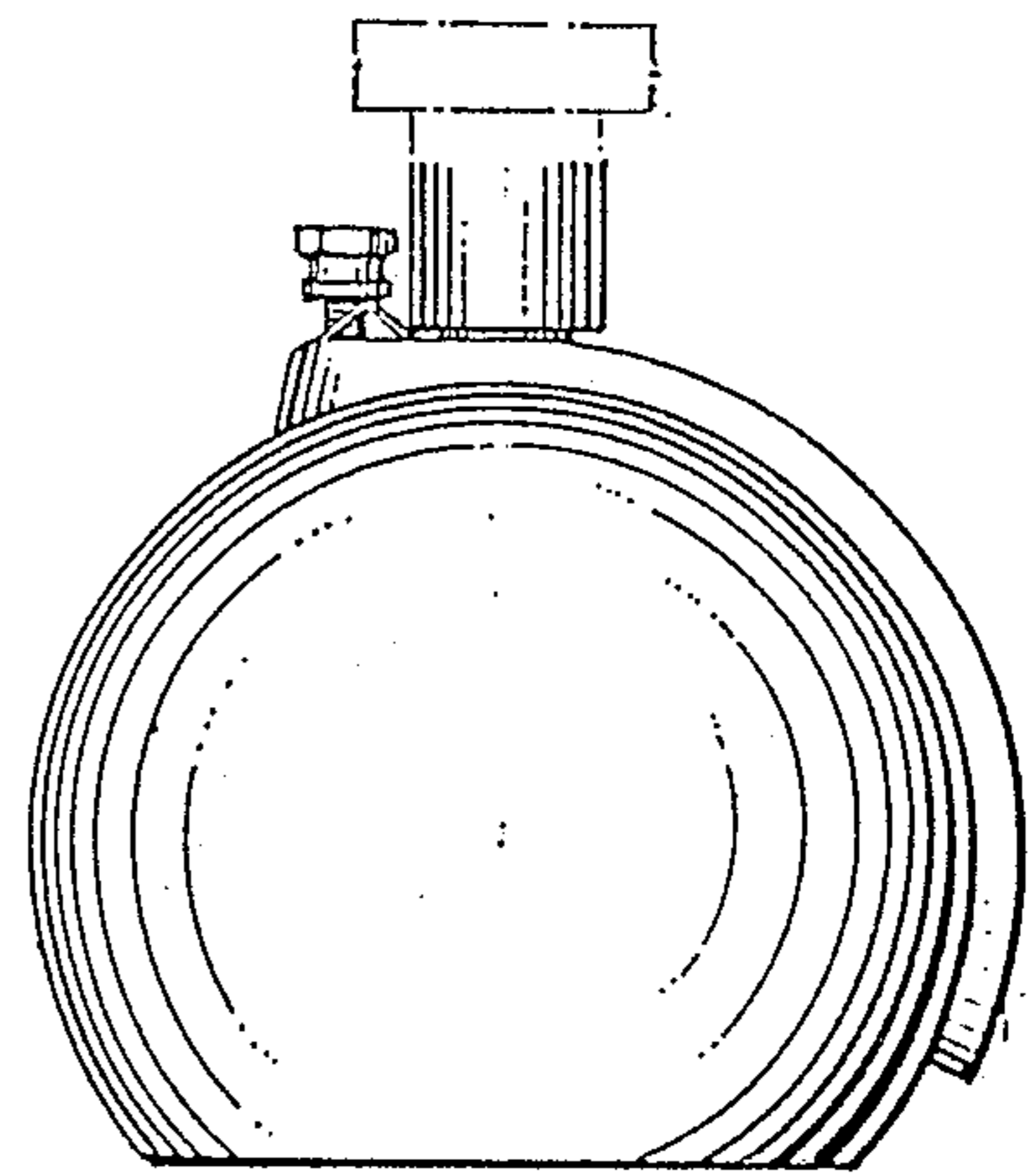


FIG-10

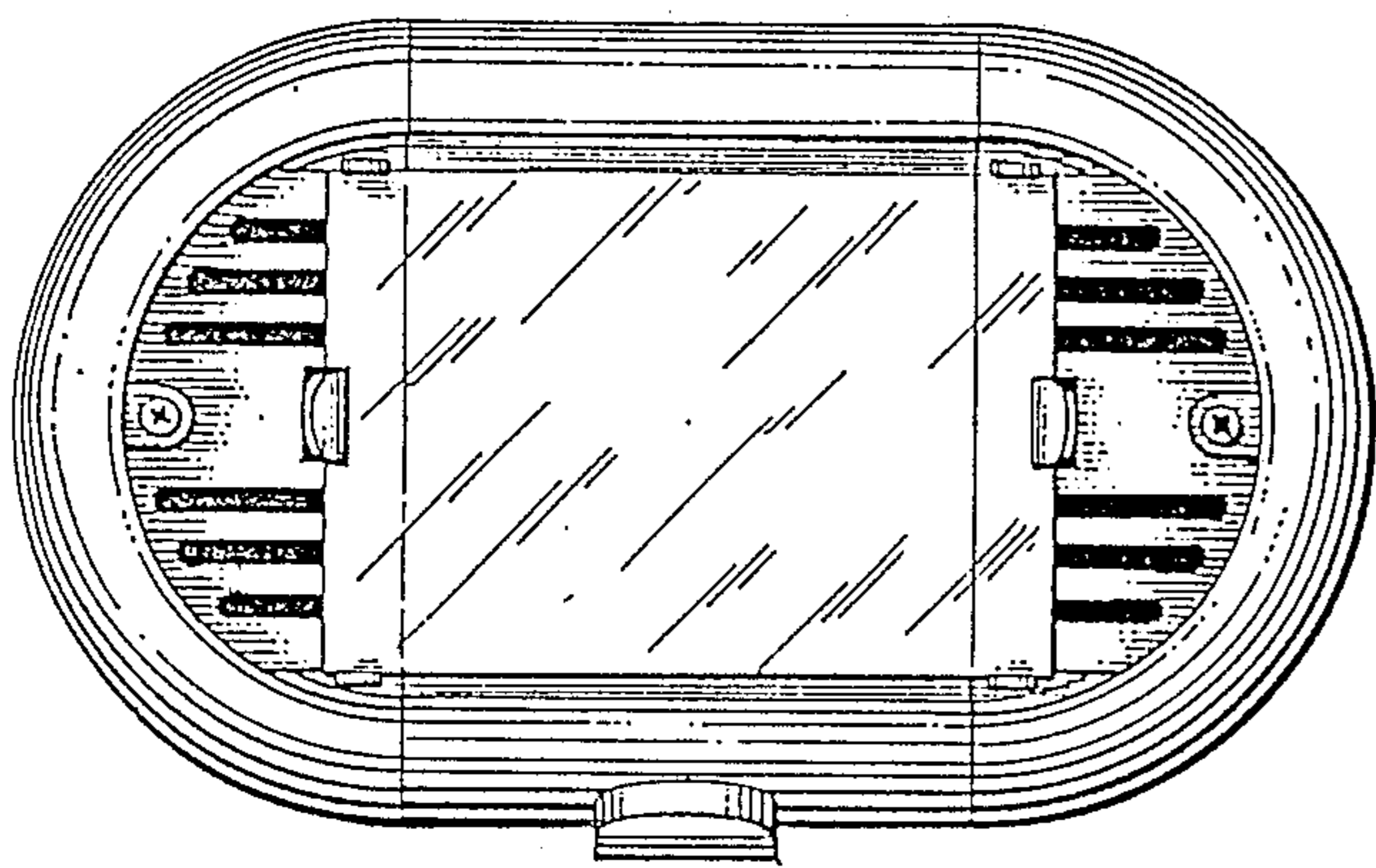


FIG-7

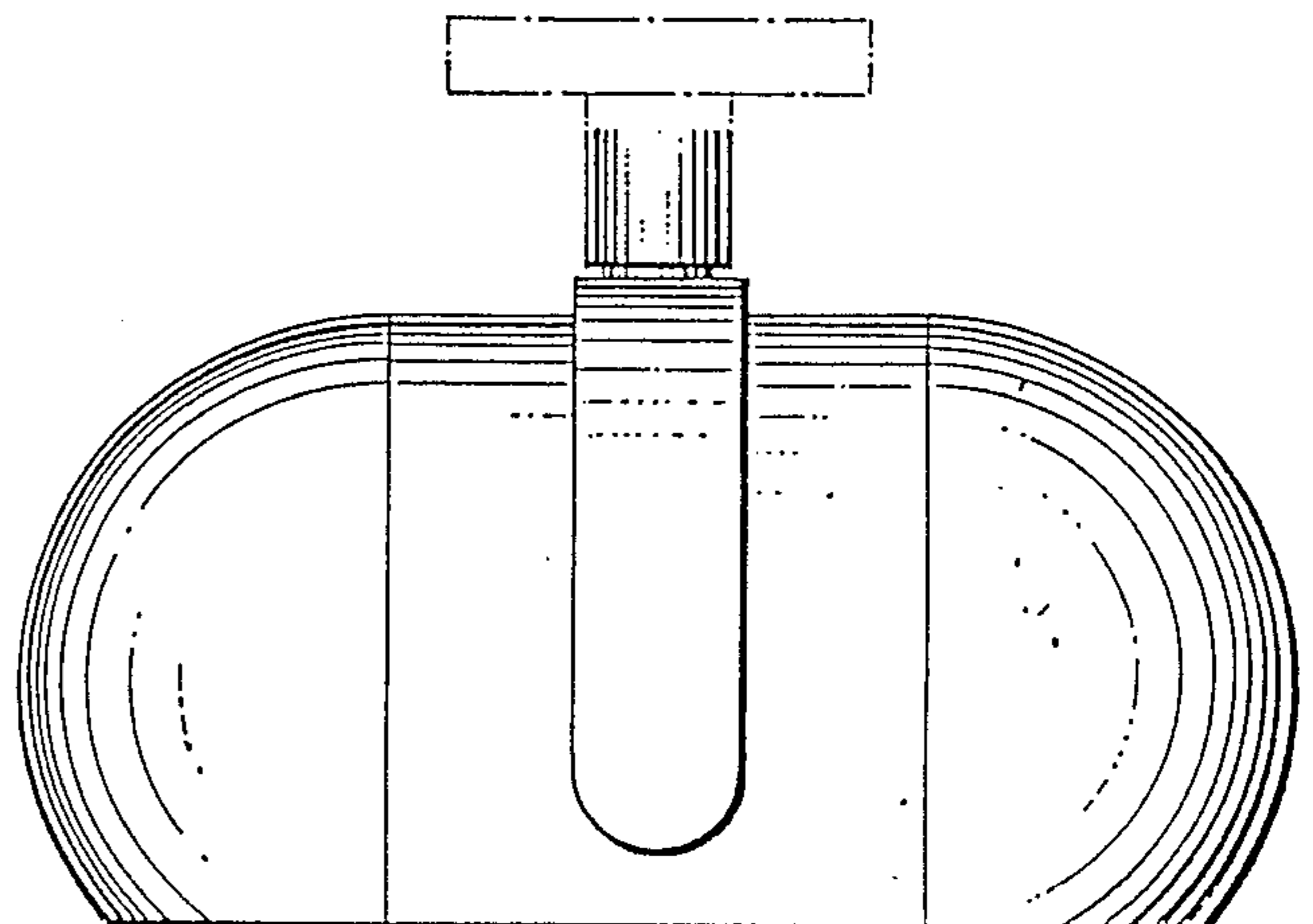


FIG-9

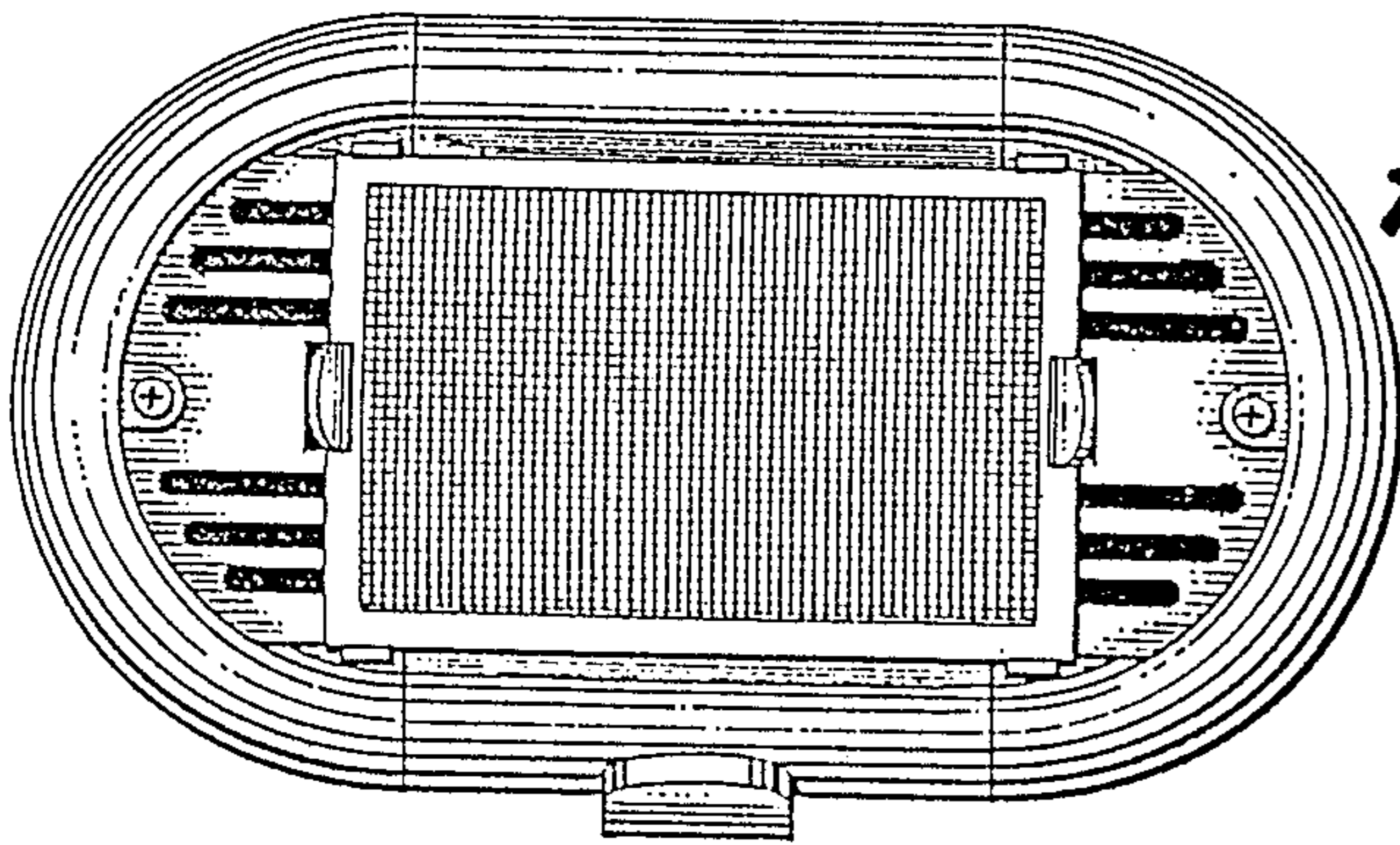


FIG-11

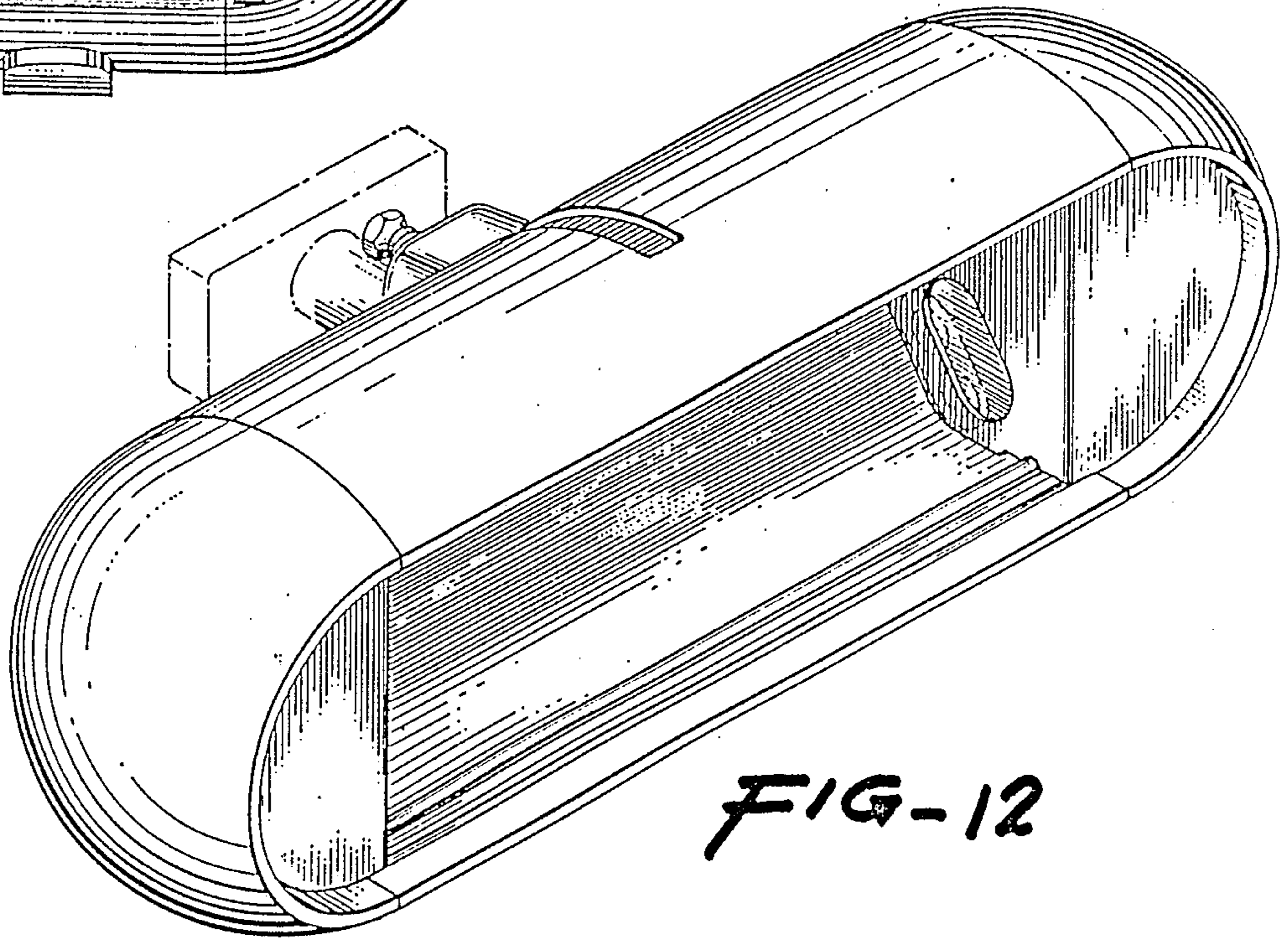


FIG-12

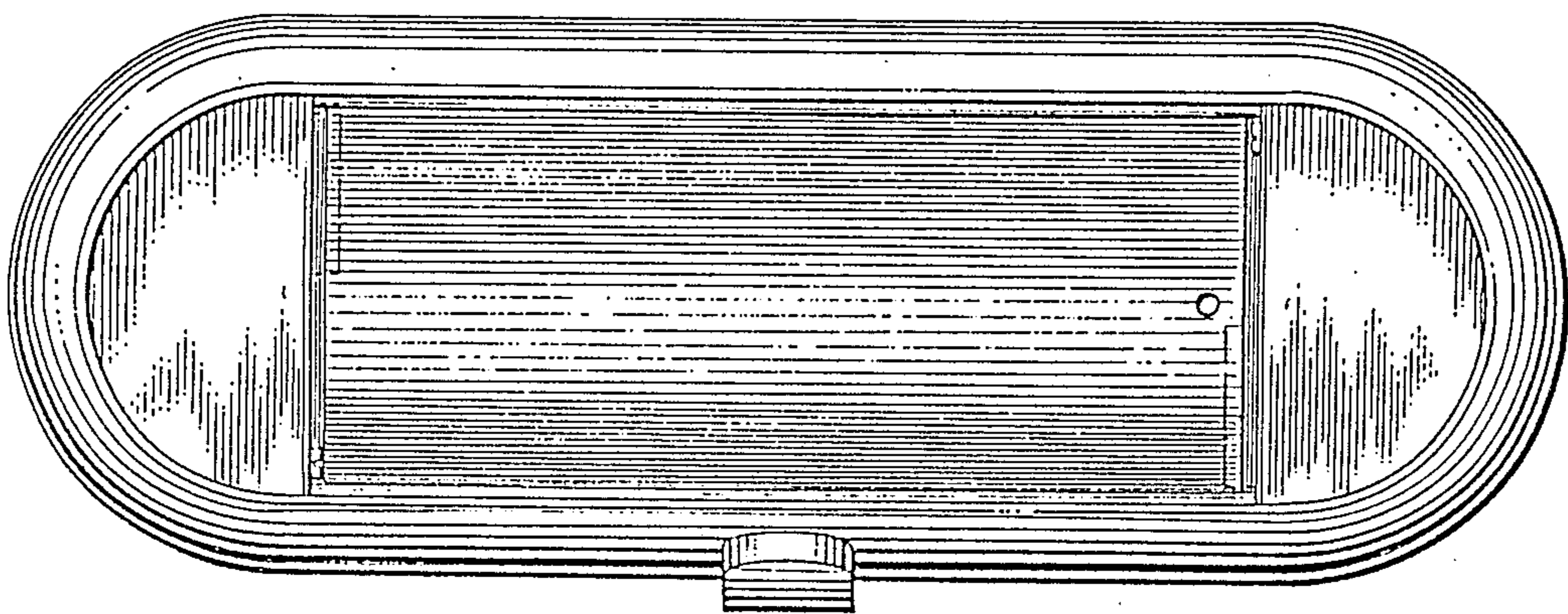


FIG-13

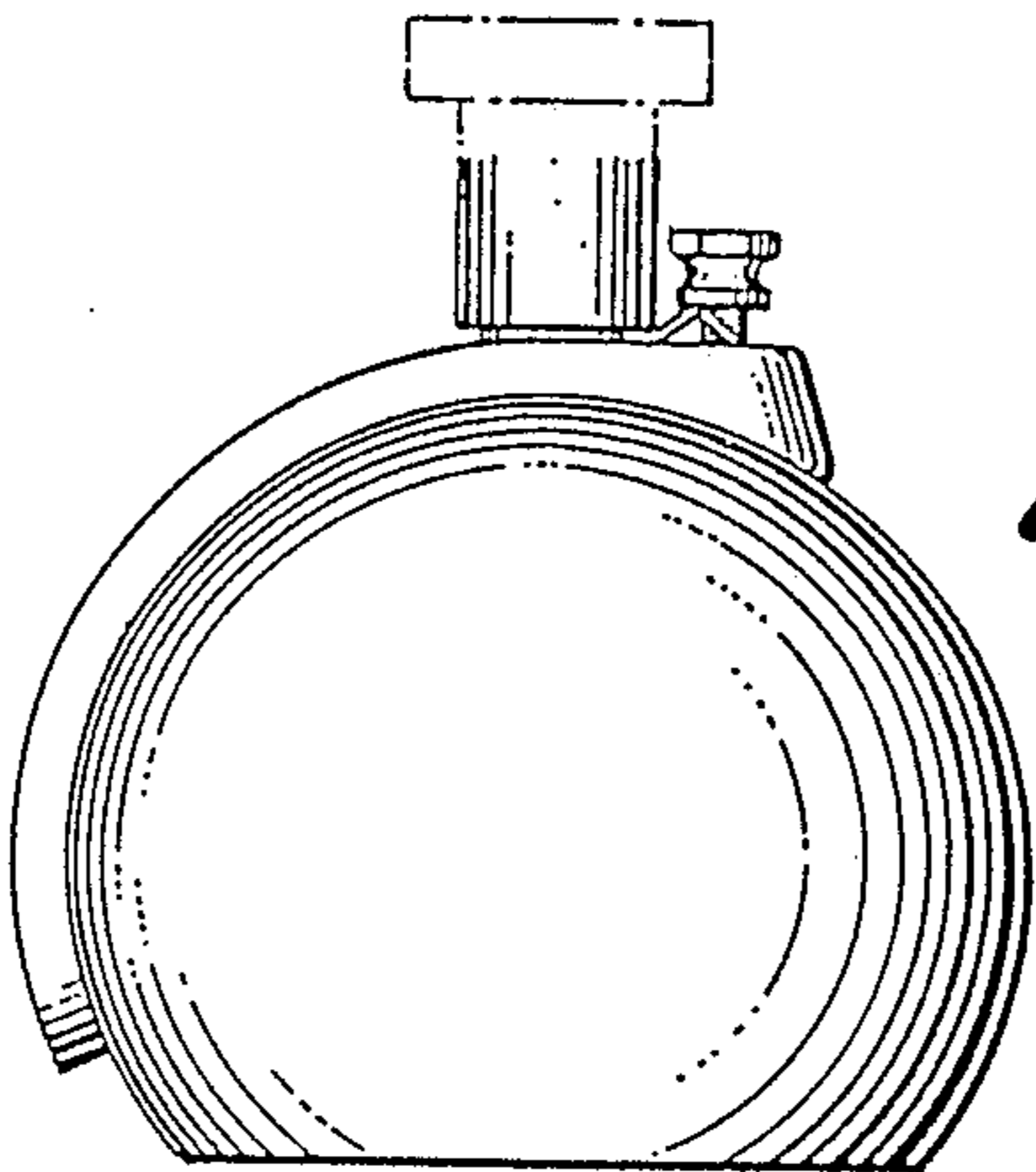


FIG-14

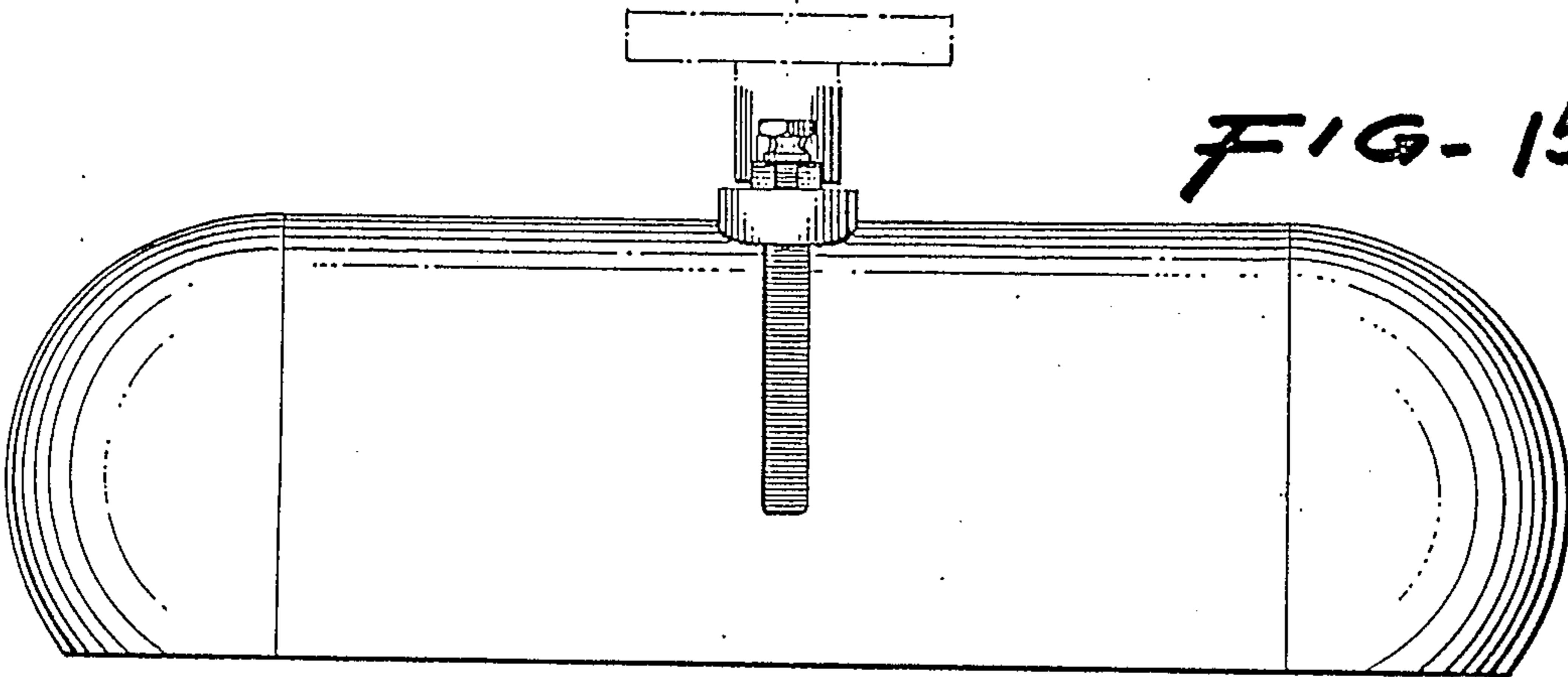


FIG-15

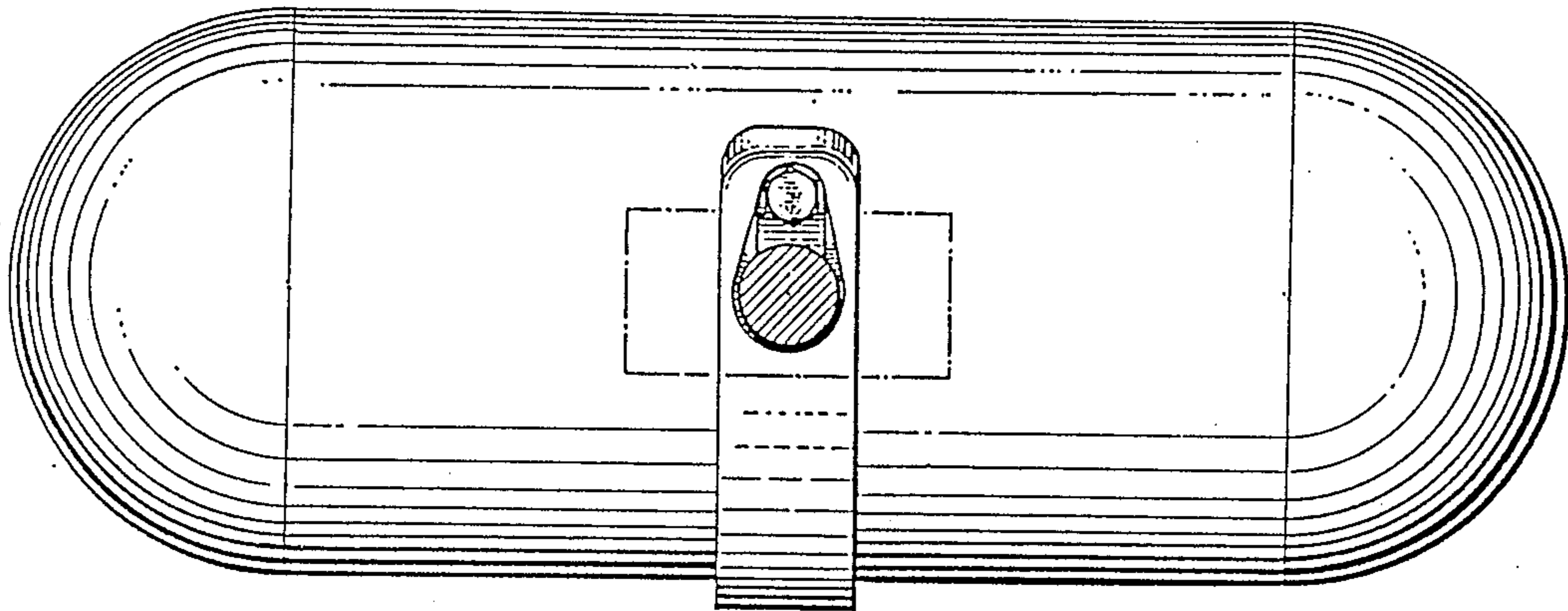


FIG-16

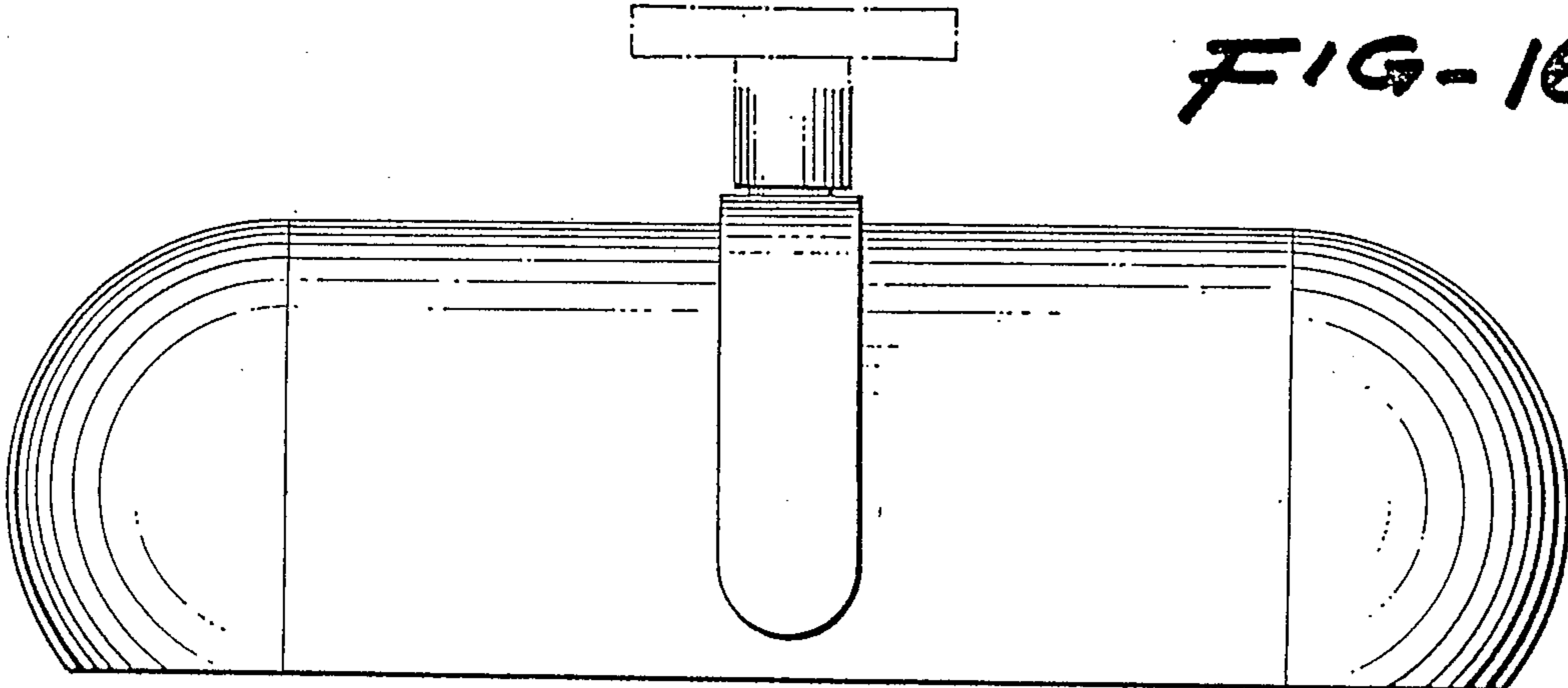


FIG-17