

[54] COMBINED BASKET AND BOTTLE FOR DISPENSING INJECTABLE FLUID

[75] Inventors: Thomas J. Kelm, Forest Park; Gordon E. Prindle, Schaumburg, both of Ill.

[73] Assignee: Ideal Instruments, Inc., Chicago, Ill.

[**] Term: 14 Years

[21] Appl. No.: 28,331

[22] Filed: Mar. 20, 1987

[52] U.S. Cl. D24/56; D24/51

[58] Field of Search D24/51, 52, 56; 215/100, 100 A, DIG. 3; 222/181; 248/359 R, 360

[56] References Cited

U.S. PATENT DOCUMENTS

- D. 253,128 10/1979 Attanasio D24/56
- D. 260,432 8/1981 Kadar D24/52
- 3,908,952 9/1975 Von Aluen 215/100 A X

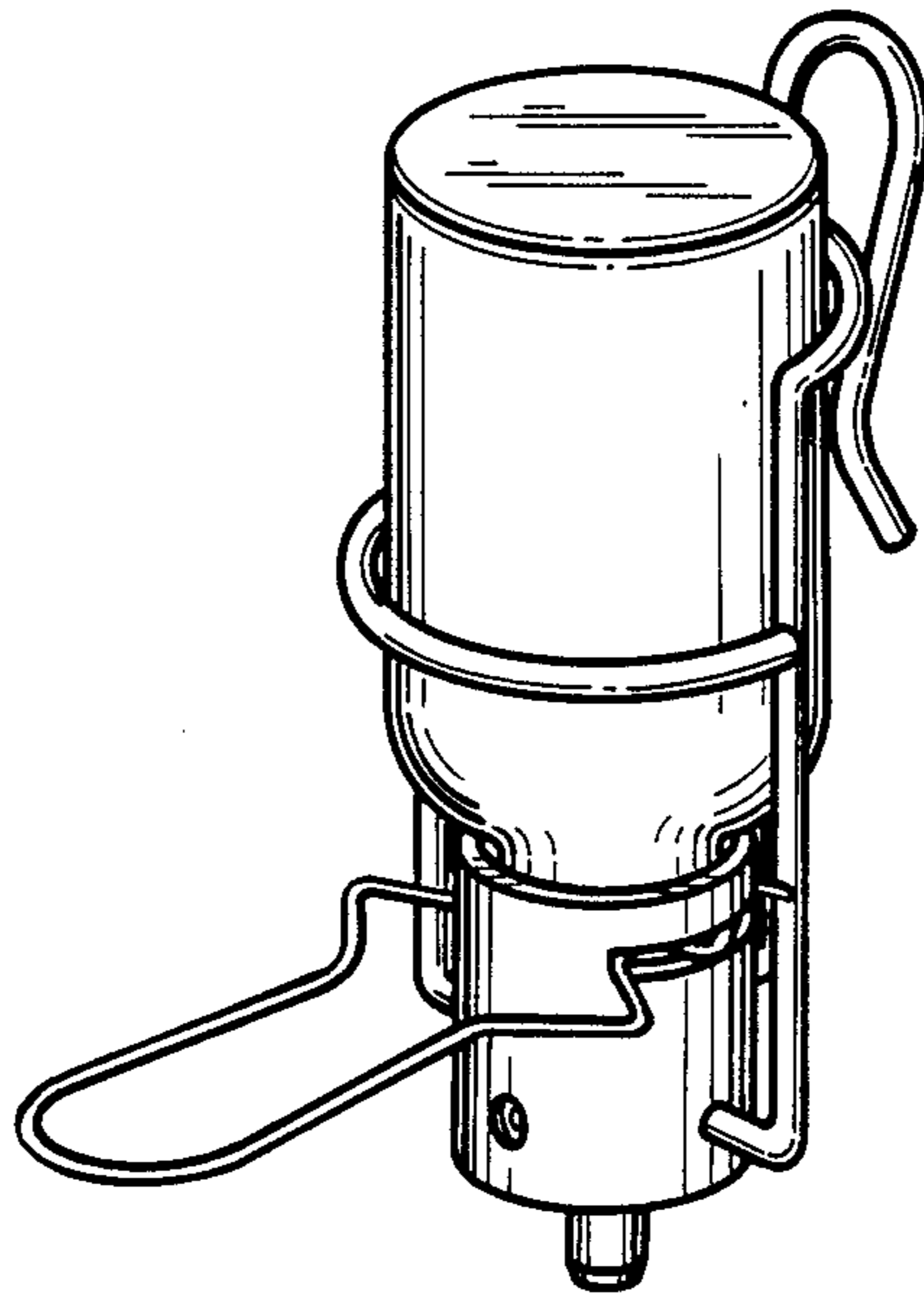
Primary Examiner—Wallace R. Burke
Assistant Examiner—Stella M. Reid
Attorney, Agent, or Firm—Ian C. McLeod

[57] CLAIM

The ornamental design for a combined basket and bottle for dispensing injectable fluid, as shown and described.

DESCRIPTION

FIG. 1 is a front perspective view of a combined basket and bottle for dispensing injectable fluid; FIG. 2 is a front elevational view, thereof; FIG. 3 is a side elevational view thereof; FIG. 4 is a rear elevational view thereof; FIG. 5 is a side elevational view thereof; FIG. 6 is a top plan view thereof; and FIG. 7 is a bottom plan view thereof.



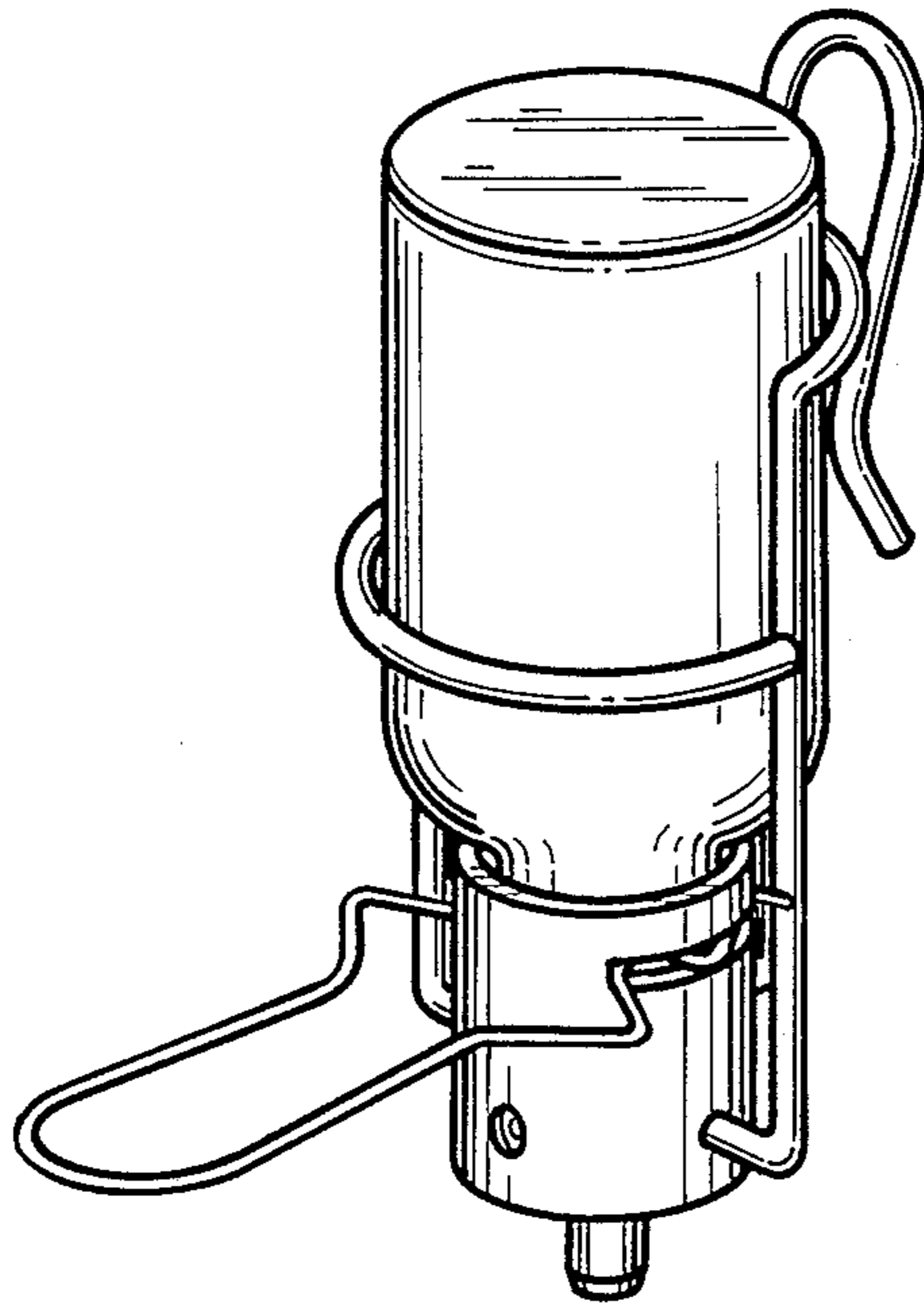


FIG. 1

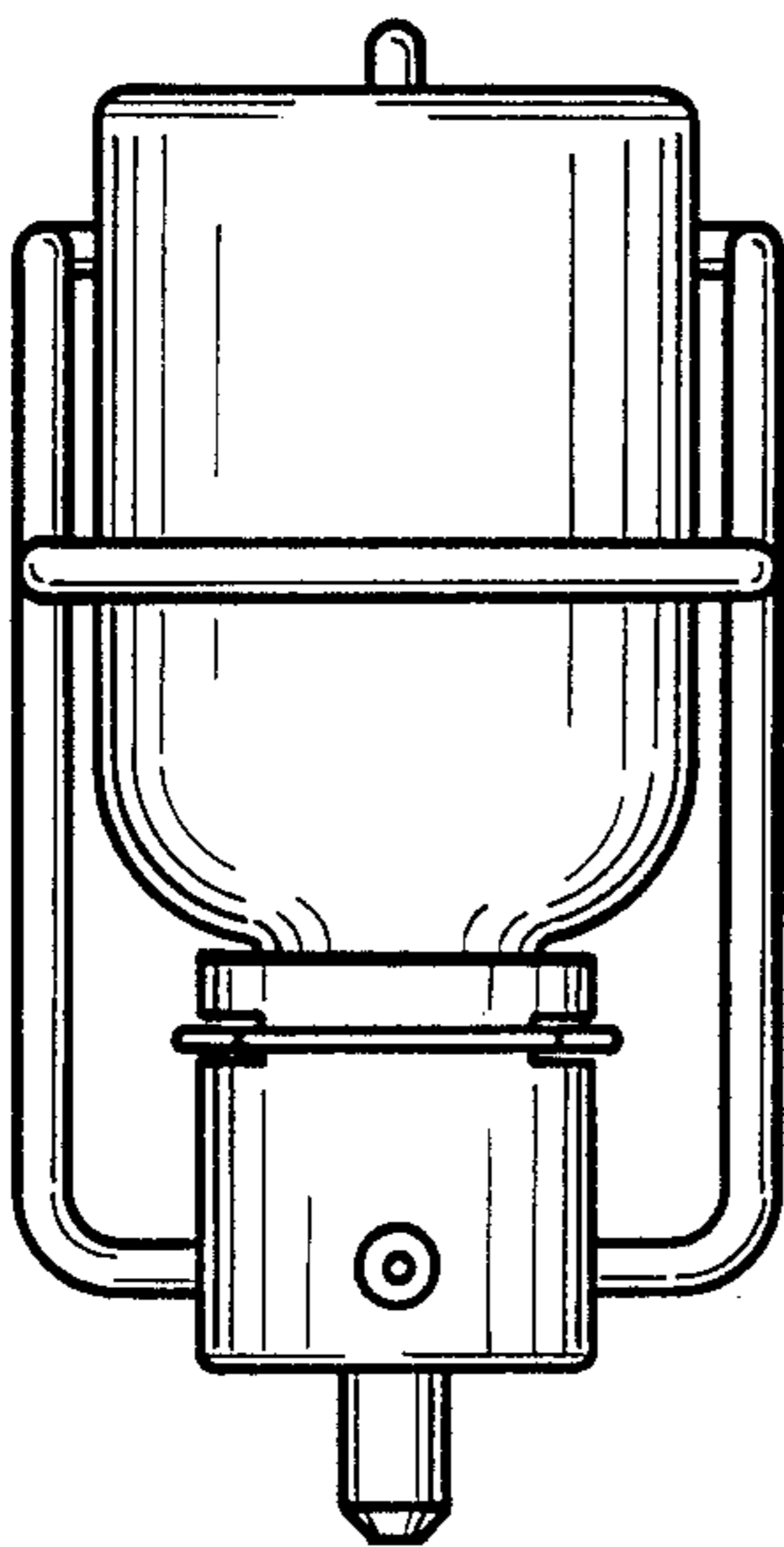


FIG. 2

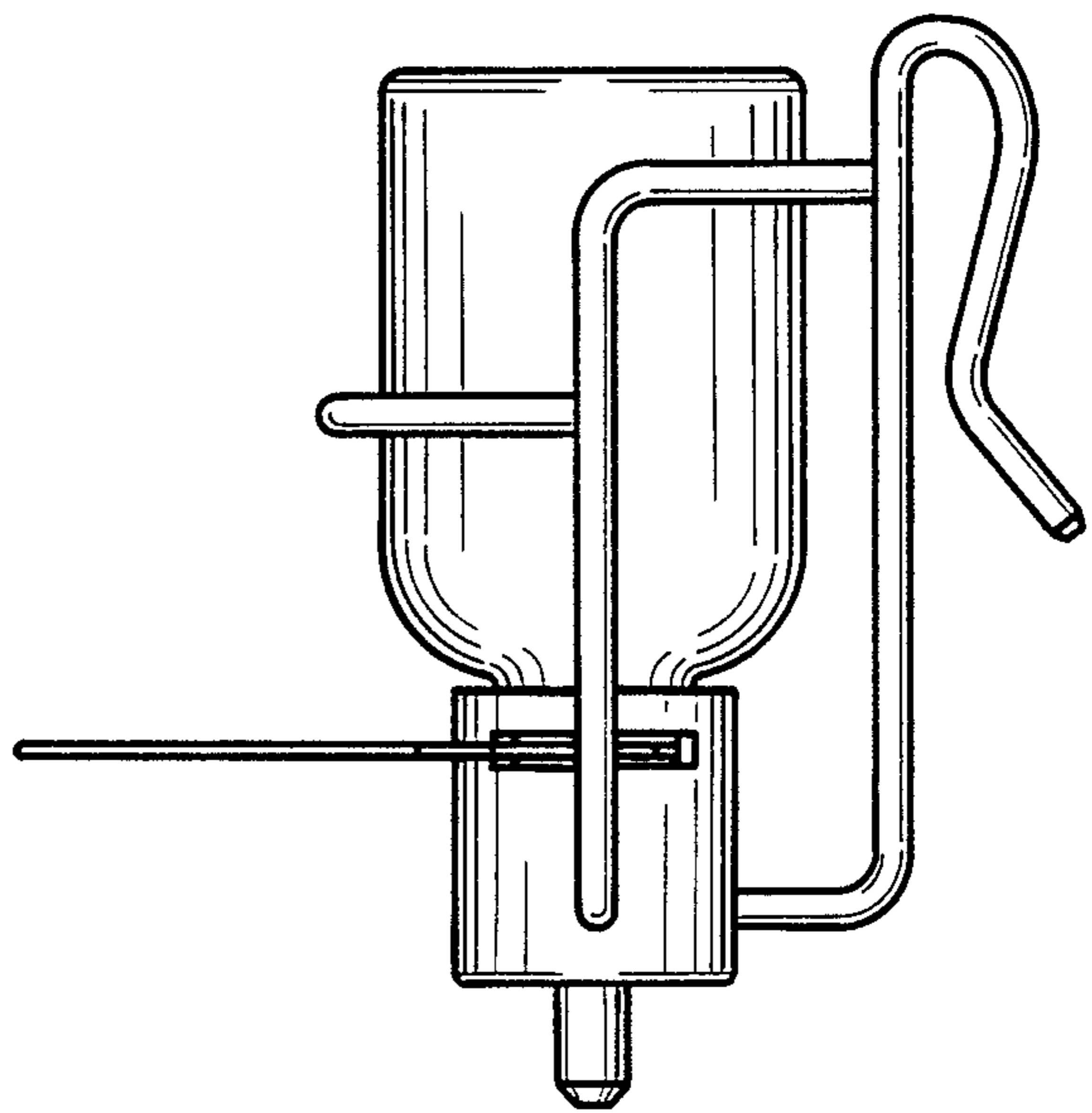


FIG. 3

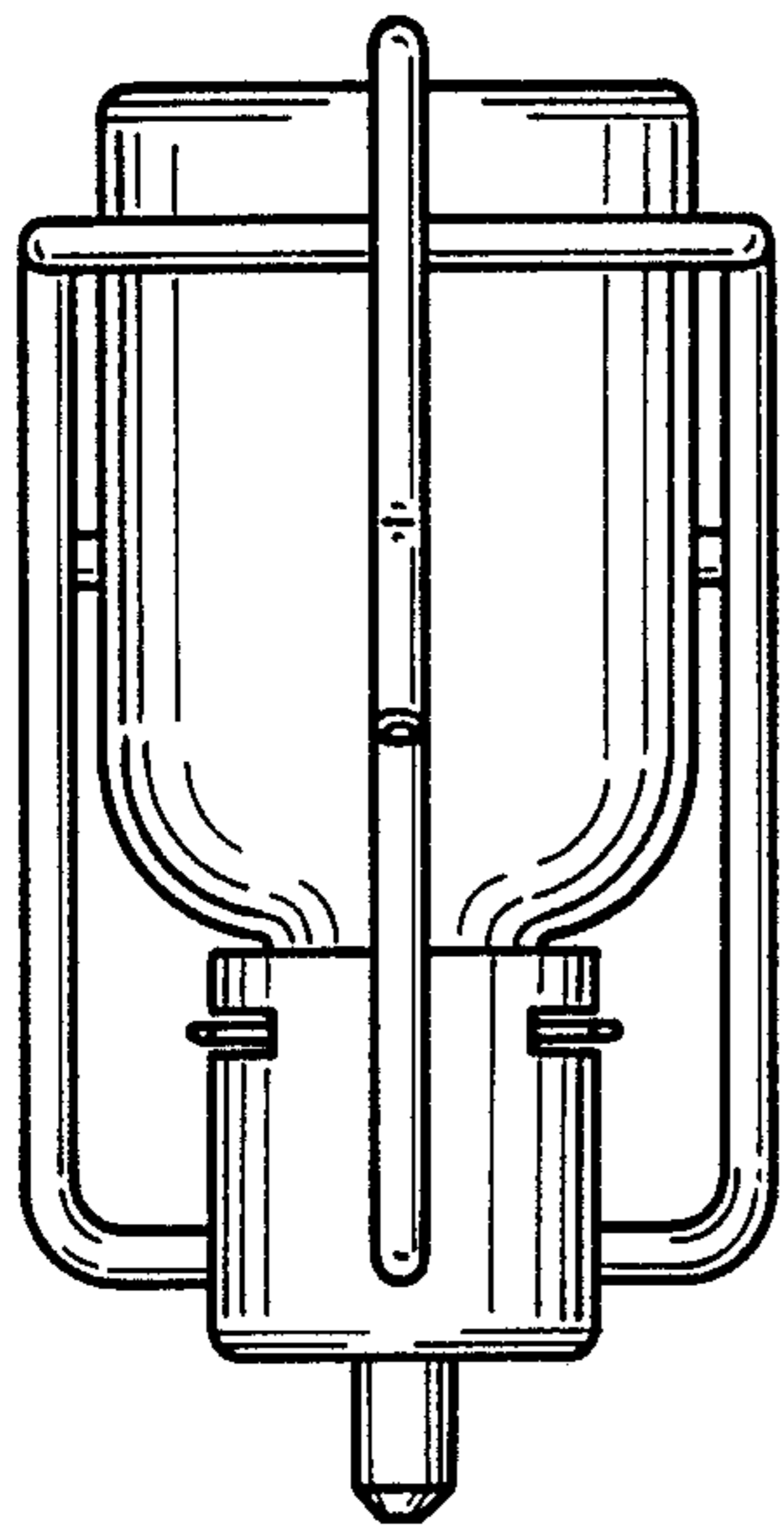


FIG. 4

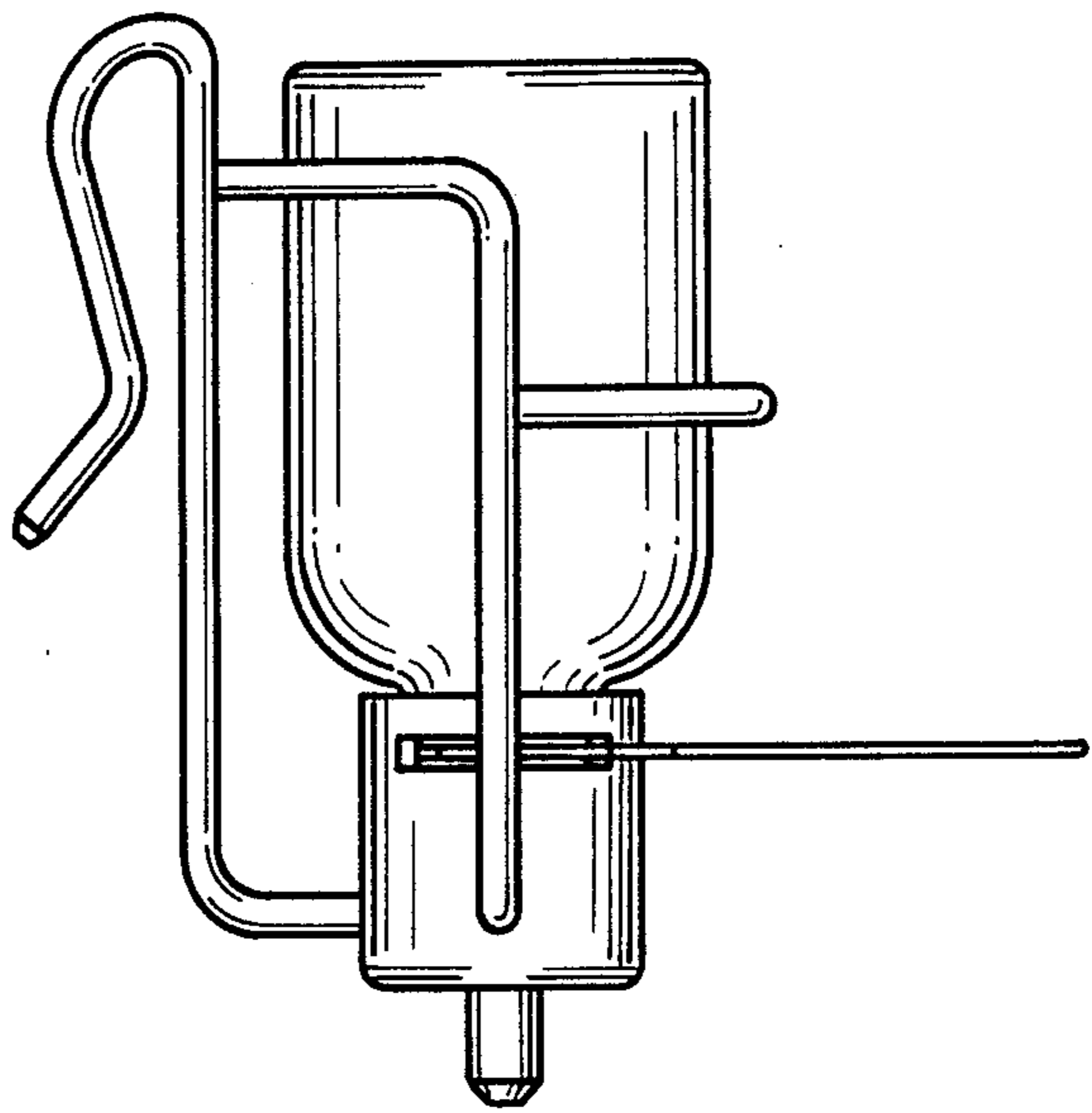


FIG. 5

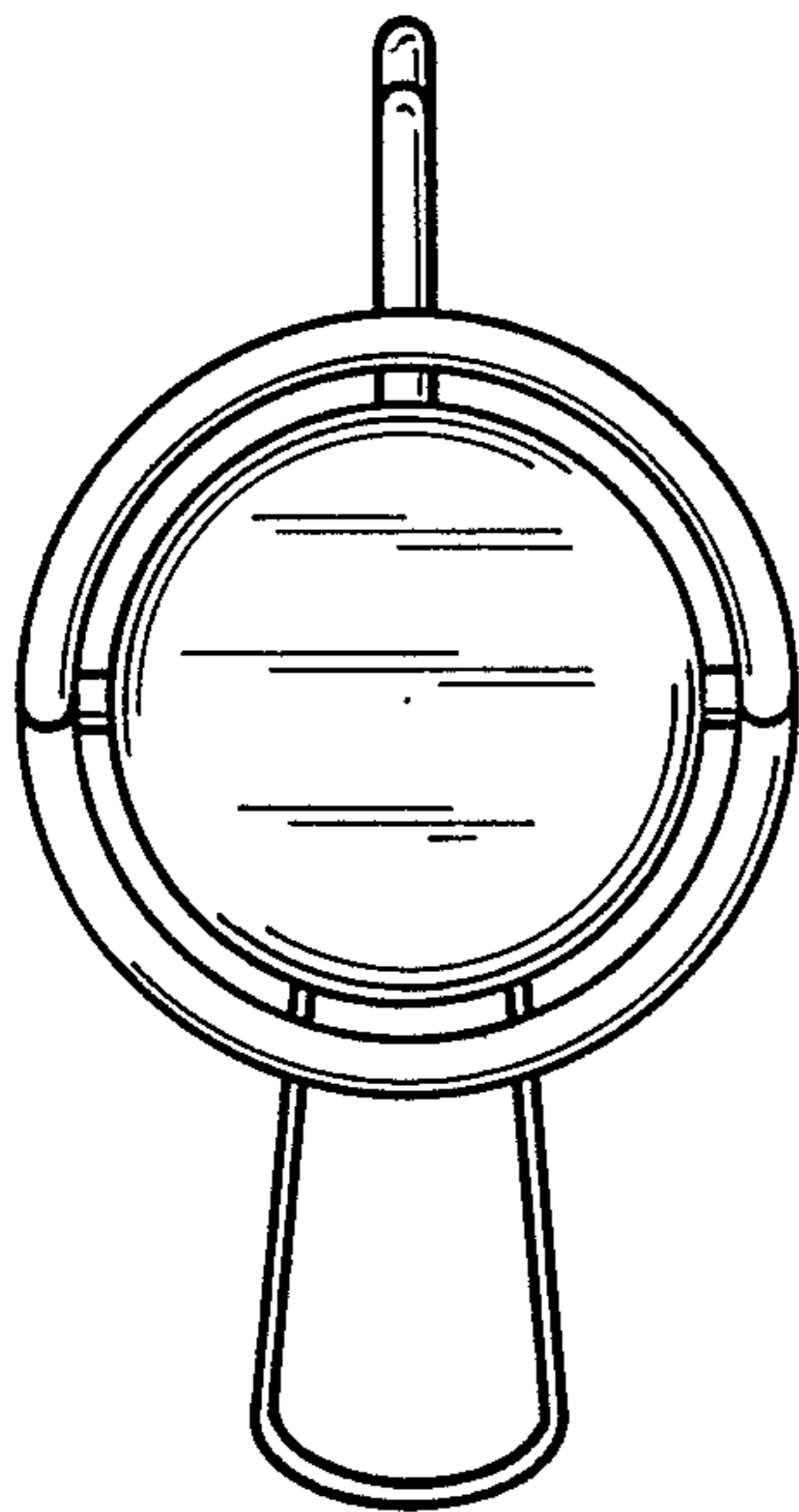


FIG. 6

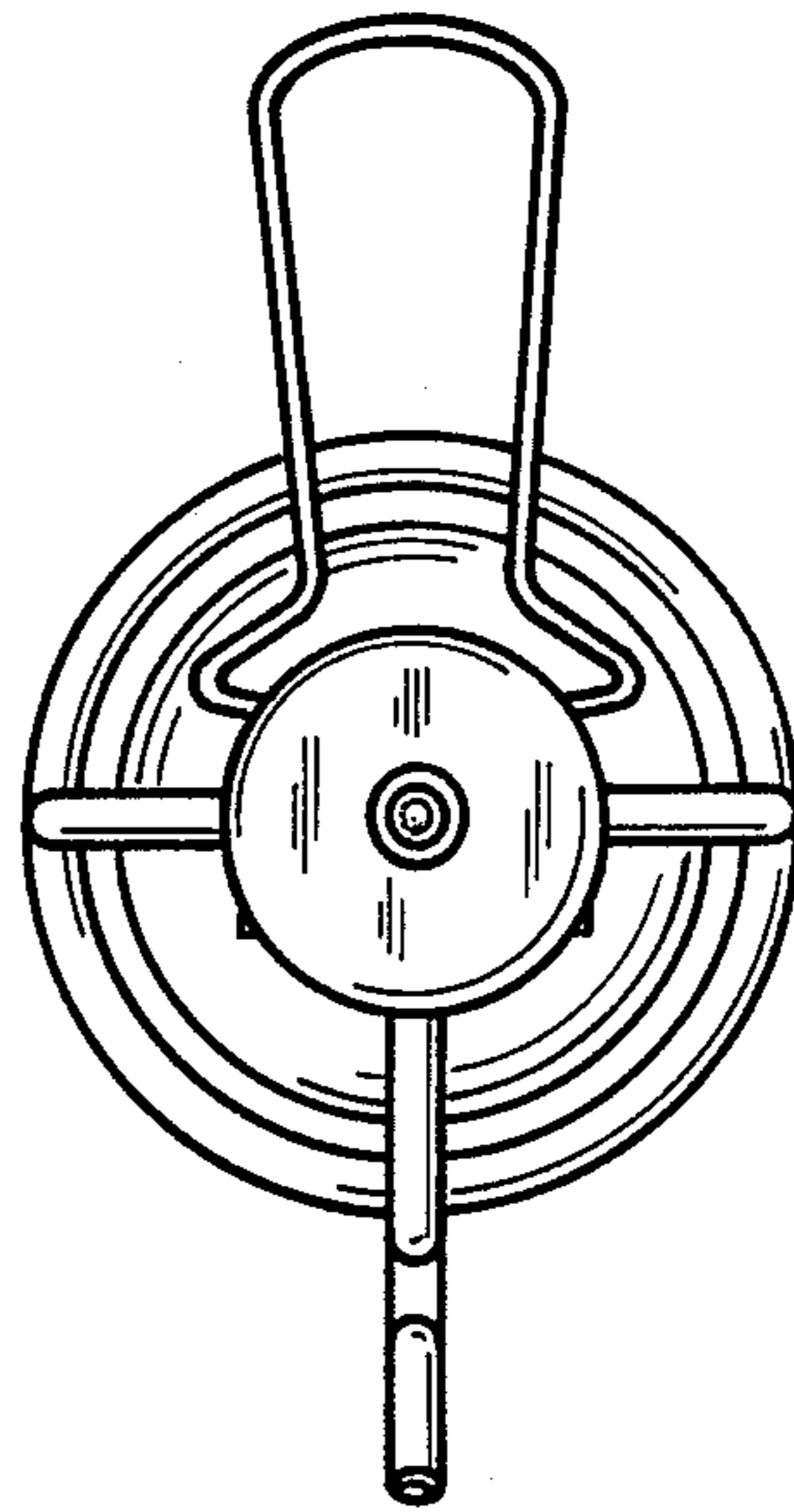


FIG. 7