

[54] **CATHETER CONNECTOR FOR DRAINAGE TUBES**

[76] **Inventor: Harvey W. Goldberg, 2230 Lynn Rd., Thousand Oaks, Calif. 91360**

[\*\*] **Term: 14 Years**

[21] **Appl. No.: 33,059**

[22] **Filed: Apr. 1, 1987**

[52] **U.S. Cl. .... D24/54; D24/51; D24/53**

[58] **Field of Search ..... D24/54, 53, 51; 604/264, 280, 283, 284, 258**

[56] **References Cited**  
**U.S. PATENT DOCUMENTS**

4,072,153	2/1978	Swartz .....	604/284
4,601,701	7/1986	Mueller, Jr. ....	D24/53 X
4,623,329	11/1986	Drobish et al. ....	D24/54 X
4,753,640	6/1988	Nichols et al. ....	604/280 X

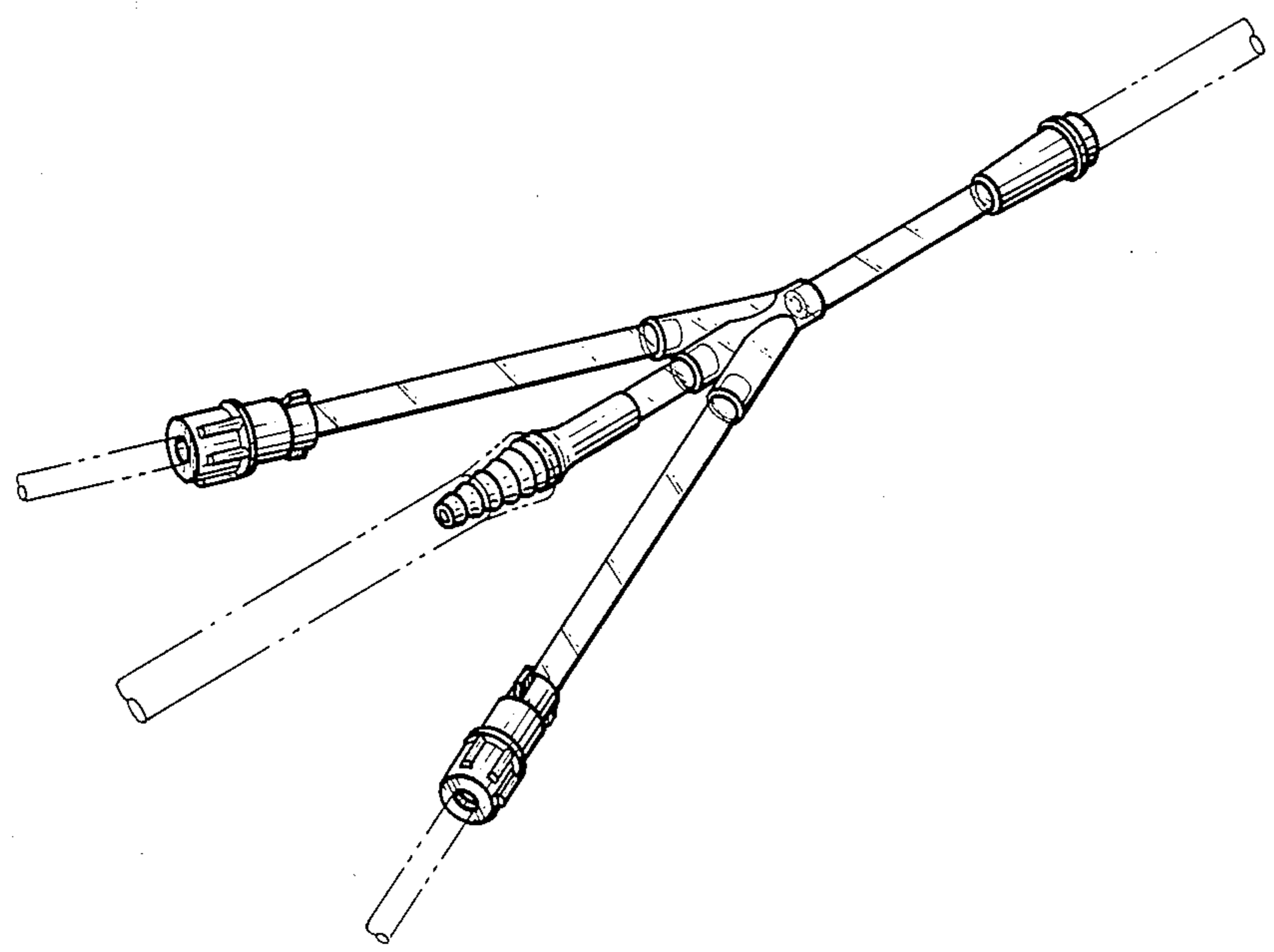
*Primary Examiner*—Wallace R. Burke  
*Assistant Examiner*—Stella M. Reid  
*Attorney, Agent, or Firm*—David O'Reilly

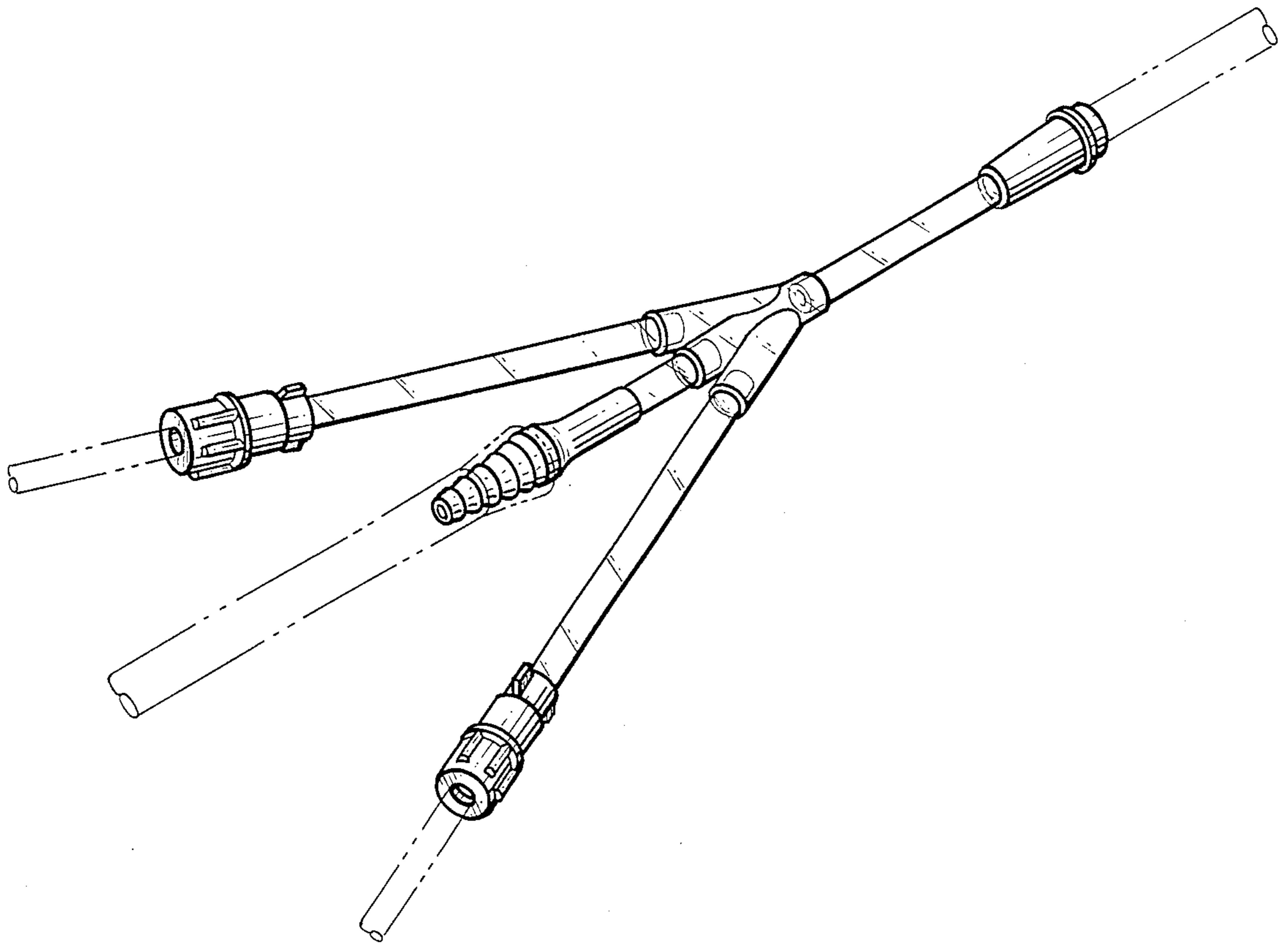
[57] **CLAIM**

The ornamental design for a catheter connector for drainage tubes, as shown and described.

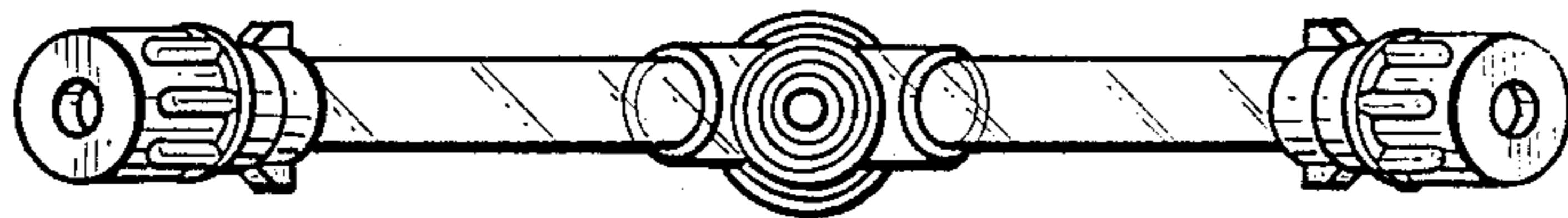
**DESCRIPTION**

FIG. 1 is a perspective view of a catheter connector for drainage tubes showing my new design;  
FIG. 2 is a top plan view thereof;  
FIG. 3 is a bottom plan view thereof;  
FIG. 4 is a left side elevational view thereof, the right side view being identical; and  
FIG. 5 is a front elevational view thereof, the rear view being identical.  
The broken line showing of the tubes in FIG. 1 is for illustrative purposes only and forms no part of the claimed design.

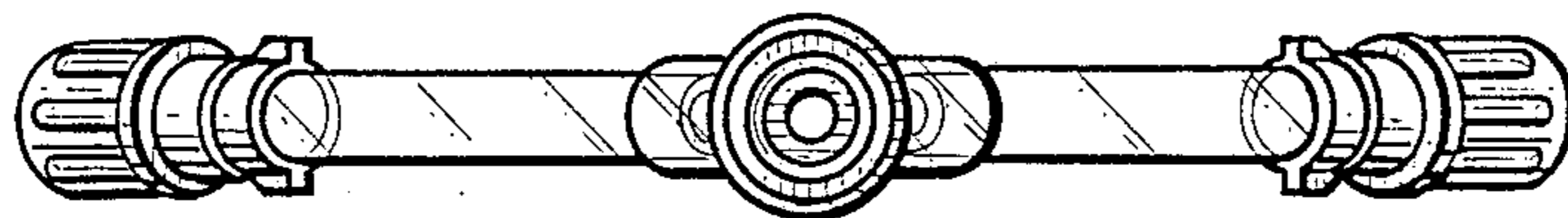




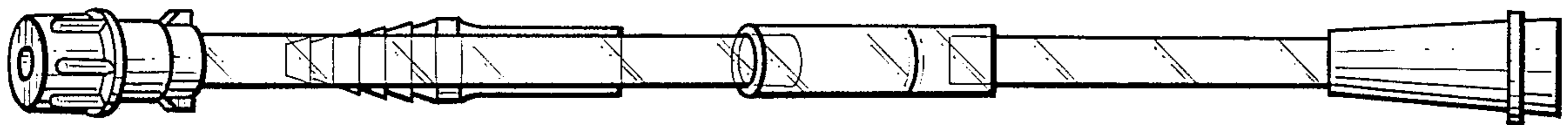
*Fig. 1.*



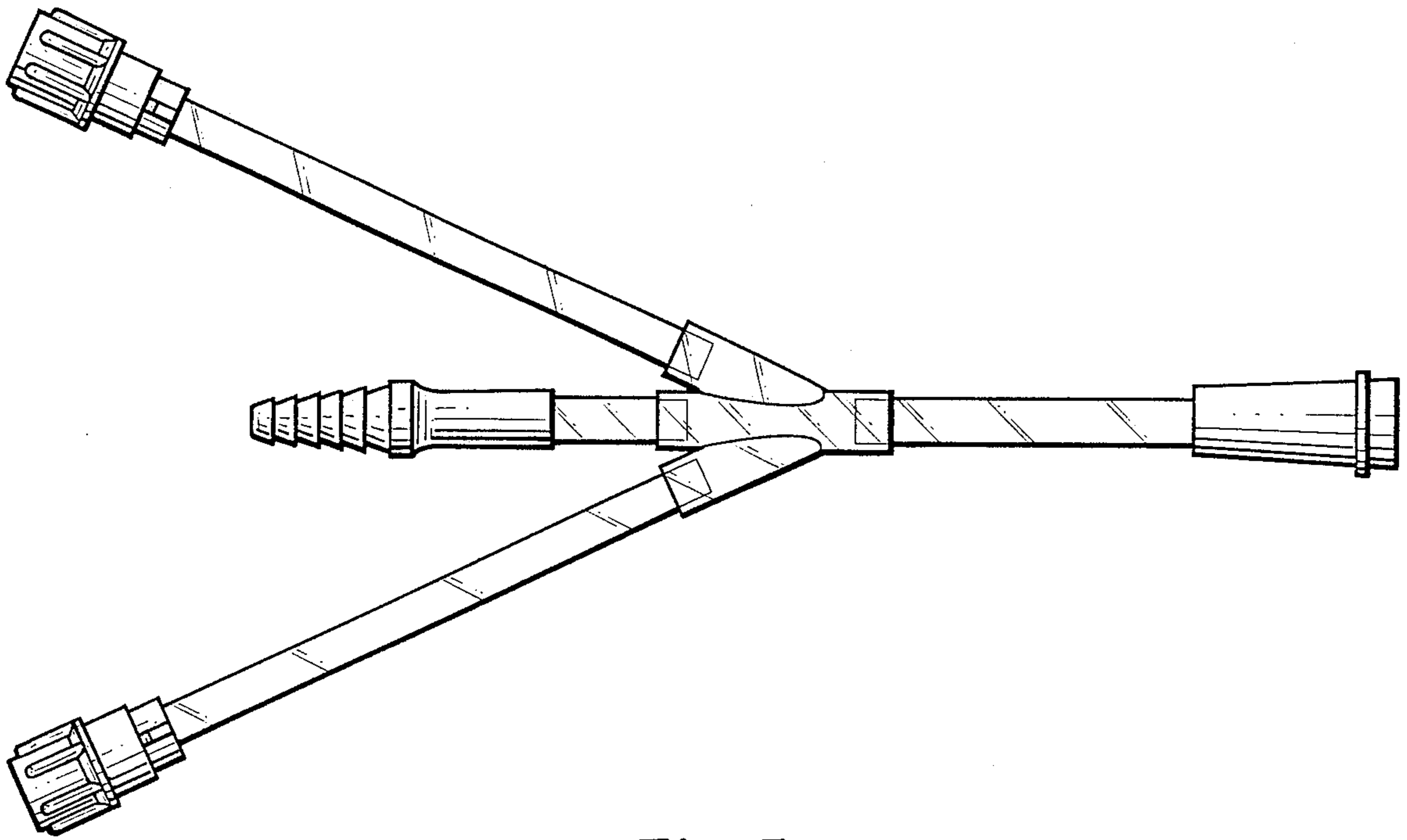
*Fig. 2.*



*Fig. 3.*



*Fig. 4.*



*Fig. 5.*