

United States Patent [19]

DesRosier et al.

[11] Patent Number: **Des. 303,711**

[45] Date of Patent: **** Sep. 26, 1989**

[54] **CULTURE TRAY**

[75] Inventors: **John P. DesRosier; N. Robert Ward, Jr.**, both of Seattle, Wash.

[73] Assignee: **BioControl Systems, Inc.**, Bothell, Wash.

[**] Term: **14 Years**

[21] Appl. No.: **10,314**

[22] Filed: **Feb. 3, 1987**

[52] U.S. Cl. **D24/31**

[58] Field of Search **D24/31, 8, 17; 435/301, 435/807, 39; 422/102**

[56] **References Cited**

U.S. PATENT DOCUMENTS

4,495,289 1/1985 Lyman et al. 435/301 X

4,657,867 4/1987 Guhl et al. 435/301 X
4,673,651 6/1987 Rothenberg et al. 435/301

Primary Examiner—Wallace R. Burke
Assistant Examiner—Stella M. Reid
Attorney, Agent, or Firm—Seed and Berry

[57] **CLAIM**

The ornamental design for a culture tray, as shown.

DESCRIPTION

FIG. 1 is an perspective view of a culture tray showing our new design;
FIG. 2 is a top plan view thereof;
FIG. 3 is a side elevational view thereof;
FIG. 4 is a bottom plan view thereof;
FIG. 5 is an end elevational view thereof; and
FIG. 6 is an end elevational view thereof opposite that shown in FIG. 5.

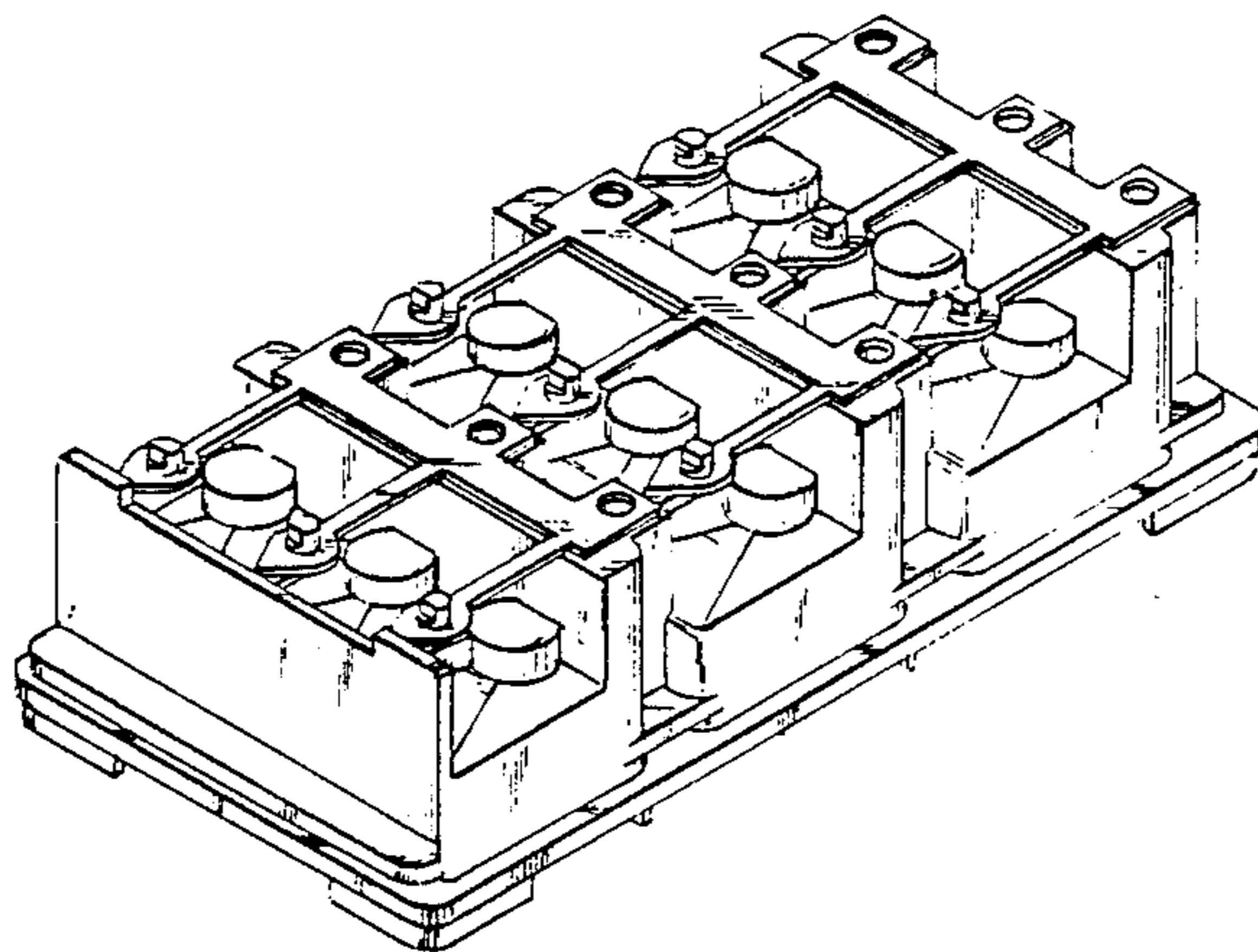


FIG. 1

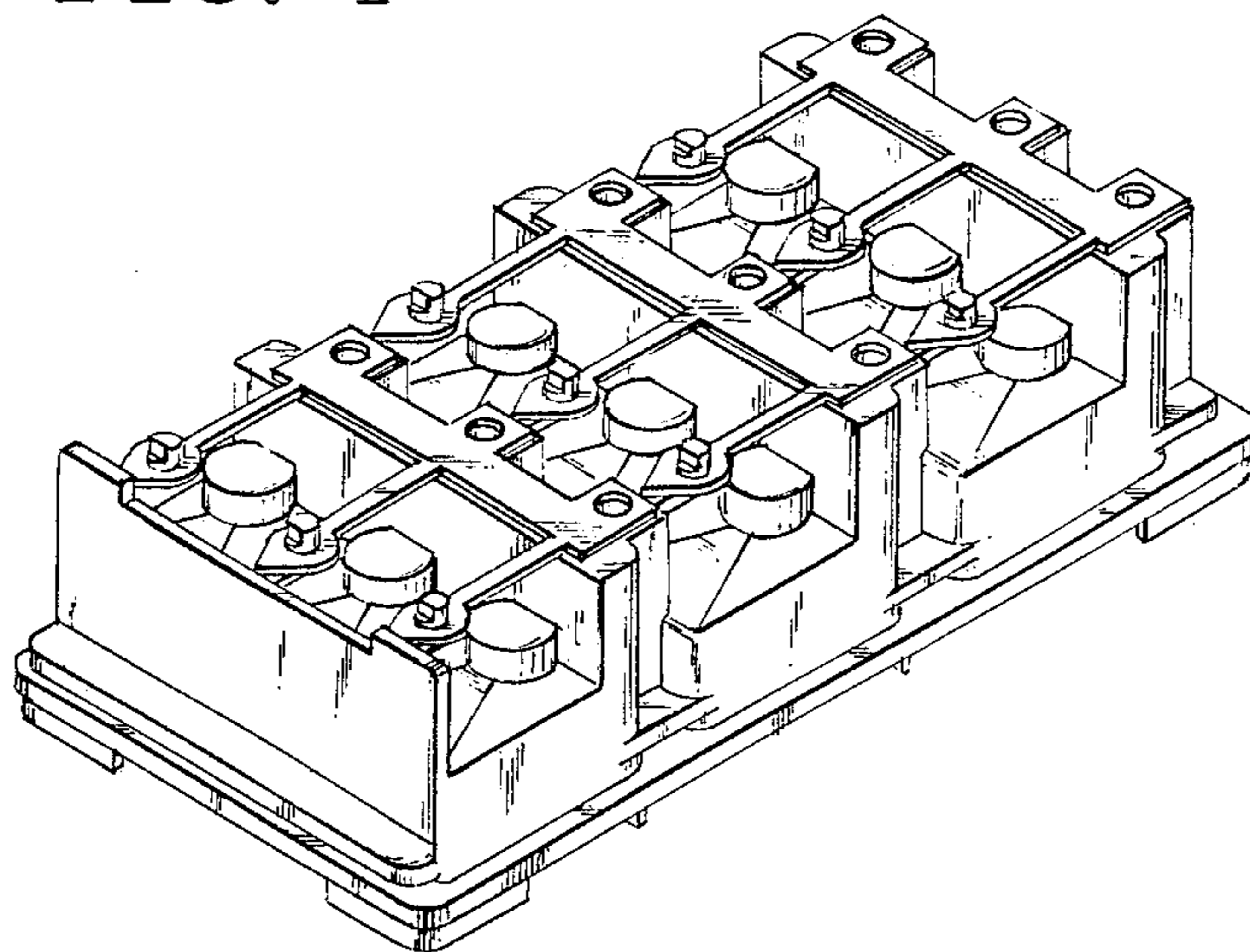


FIG. 2

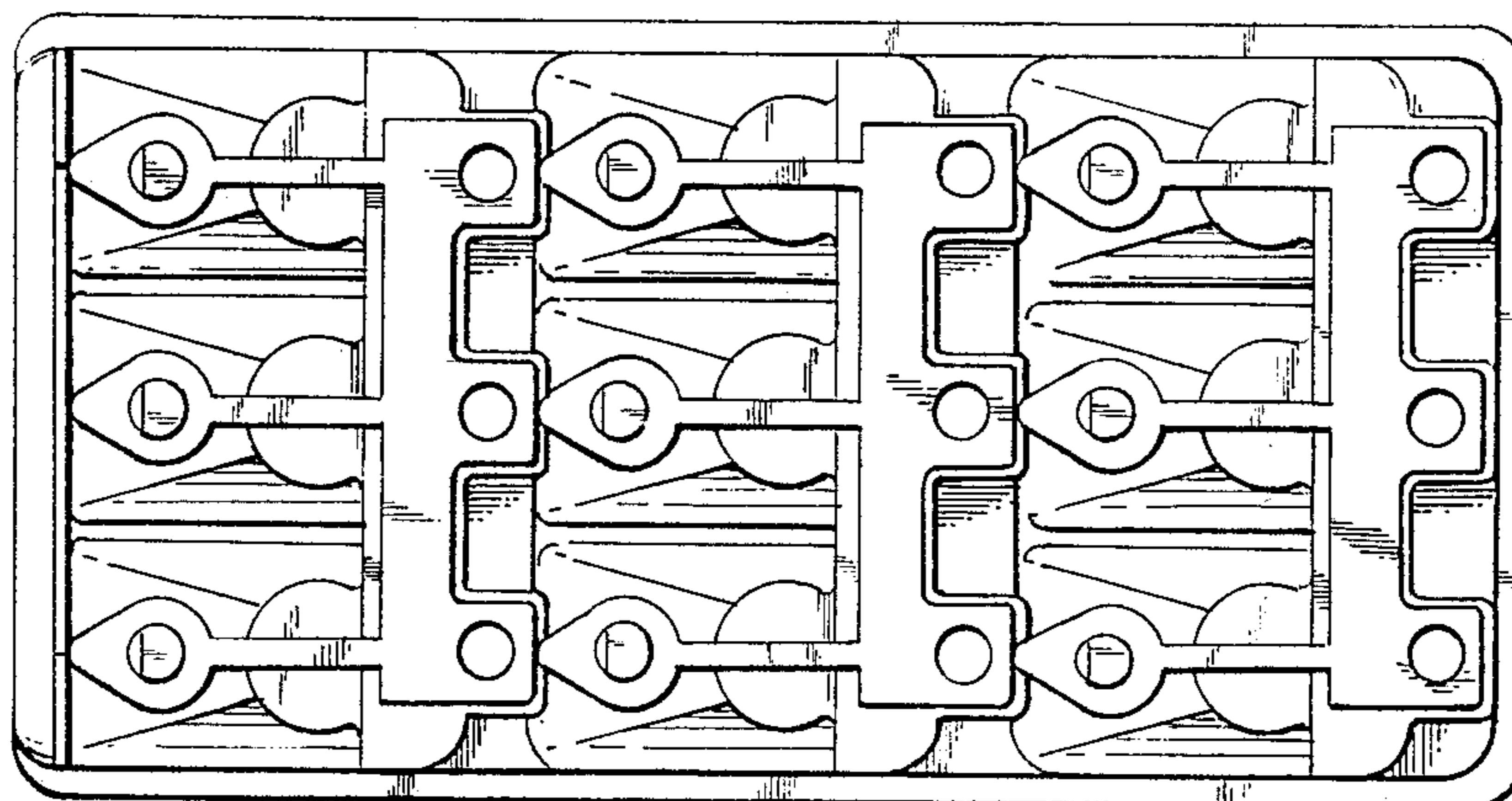


FIG. 3

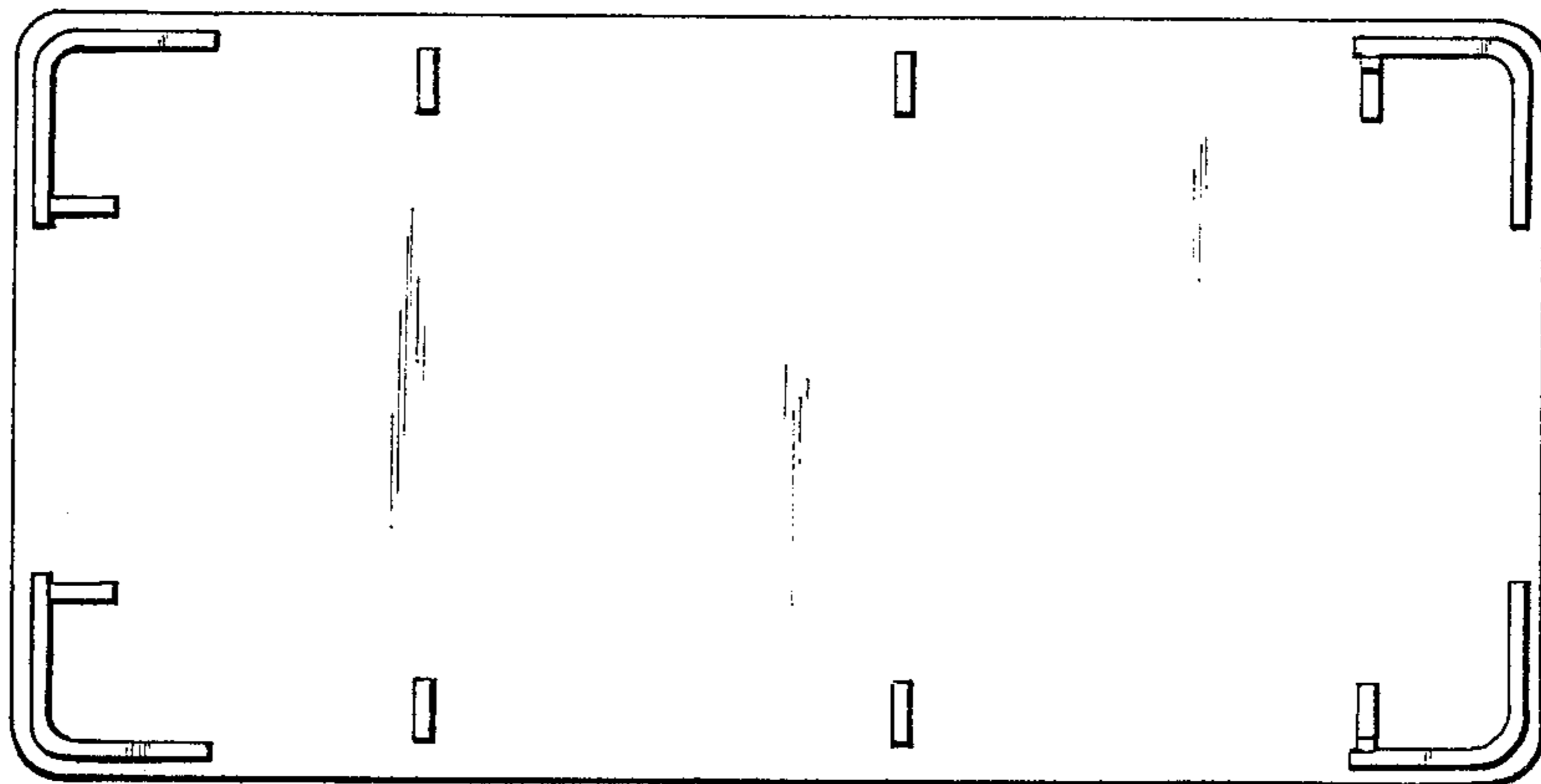
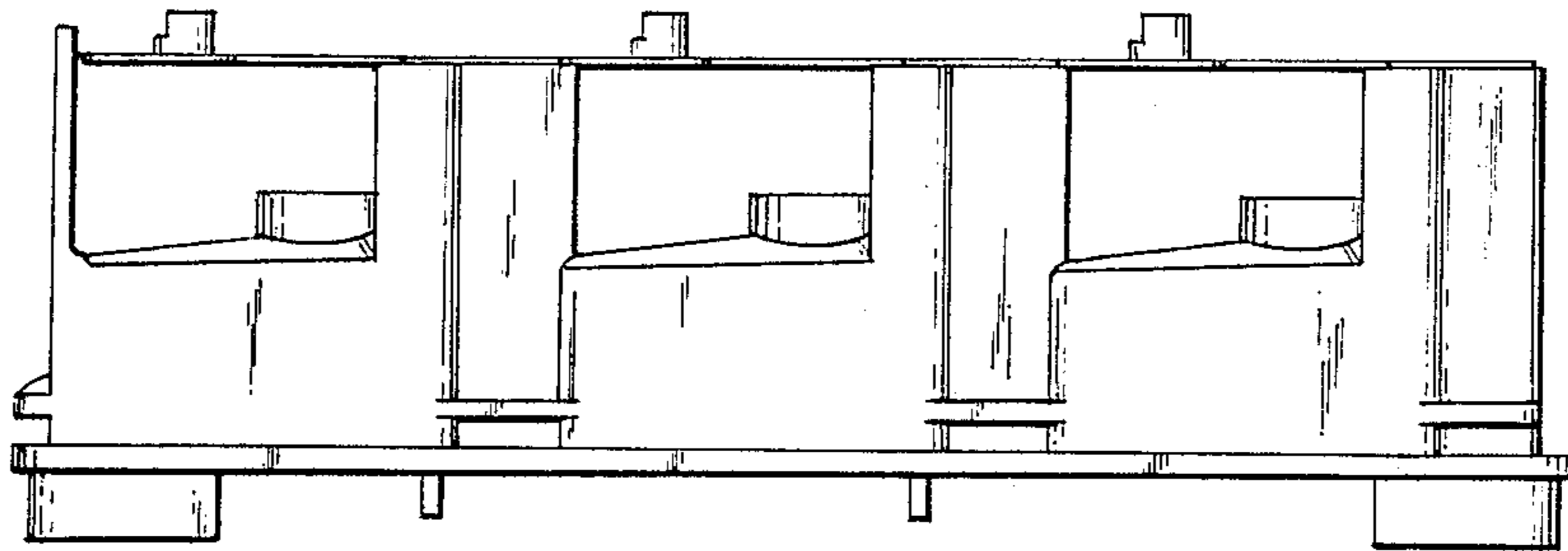


FIG. 4

FIG. 5

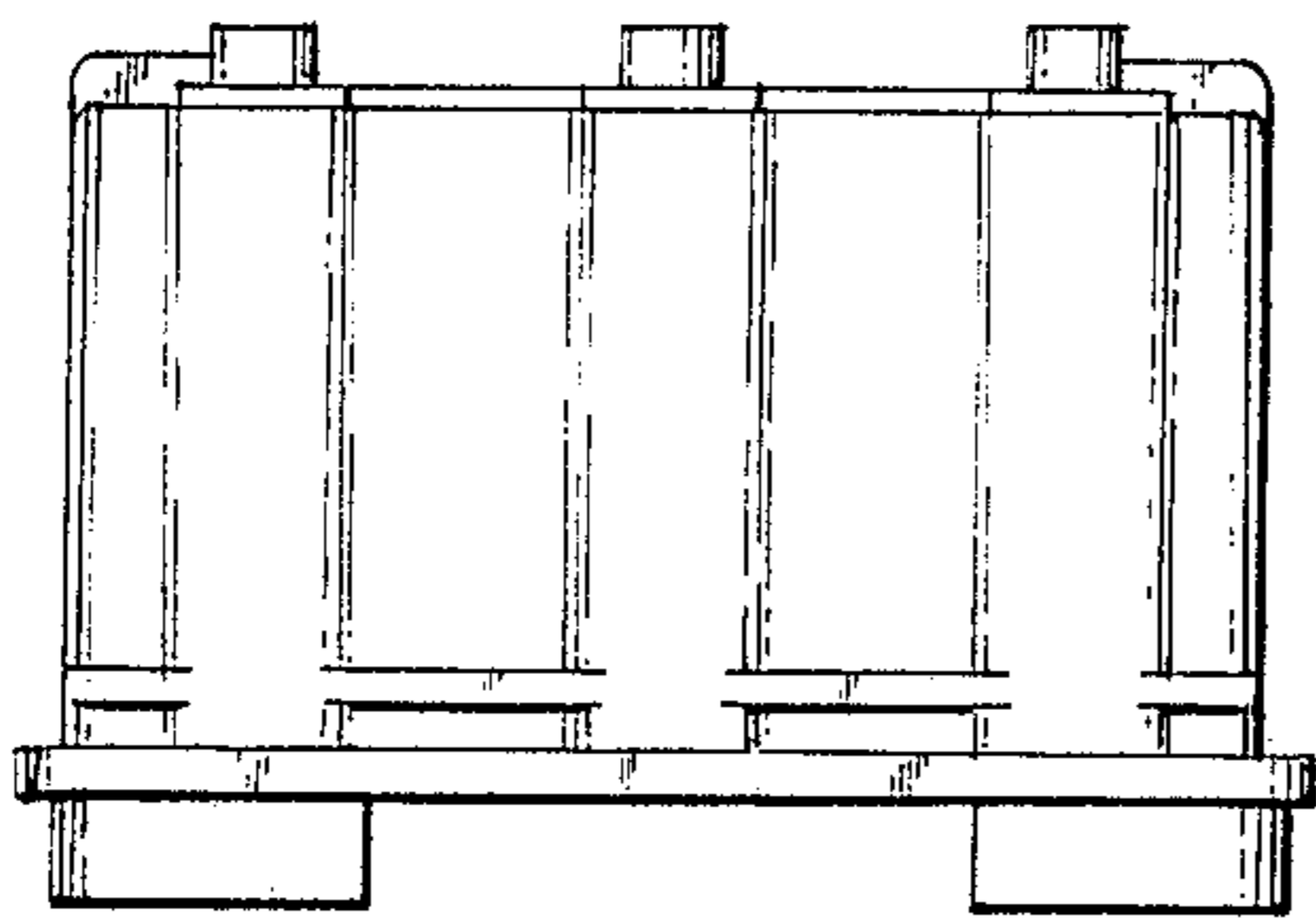


FIG. 6

