

[54] **CONNECTOR FOR JOINING LABORATORY GLASSWARE**

[75] **Inventor: Norman A. Neill, Vineland, N.J.**

[73] **Assignee: Kontes Glass Company, Vineland, N.J.**

[**] **Term: 14 Years**

[21] **Appl. No.: 947,531**

[22] **Filed: Dec. 29, 1986**

[52] **U.S. Cl. D24/29; D24/8**

[58] **Field of Search D24/8, 29; 422/99, 103; 411/427; 215/296, 355, 356; 206/1.5; D8/397, 399**

[56] **References Cited**

U.S. PATENT DOCUMENTS

4,135,866 1/1979 Winkler 422/103
4,390,500 6/1983 Miskinis 422/103

OTHER PUBLICATIONS

Fisher Scientific 81 Catalog-©1980, Screw Thread Connectors, p. 444.

Primary Examiner—Wallace R. Burke
Assistant Examiner—Stella M. Reid
Attorney, Agent, or Firm—James & Franklin

[57] **CLAIM**

The ornamental design for a connector for joining laboratory glassware, as shown and described.

DESCRIPTION

FIG. 1 is a side elevational view of the connector for joining laboratory glassware showing my new design; FIG. 2 is a cross-sectional view taken along line 2—2 of FIG. 1;

FIG. 3 is a top plan view thereof; FIG. 4 is a bottom plan view thereof; and FIG. 5 is a perspective view thereof.

The broken lines shown in FIGS. 1 and 2 are for illustrative purposes only and form no part of the claimed design.

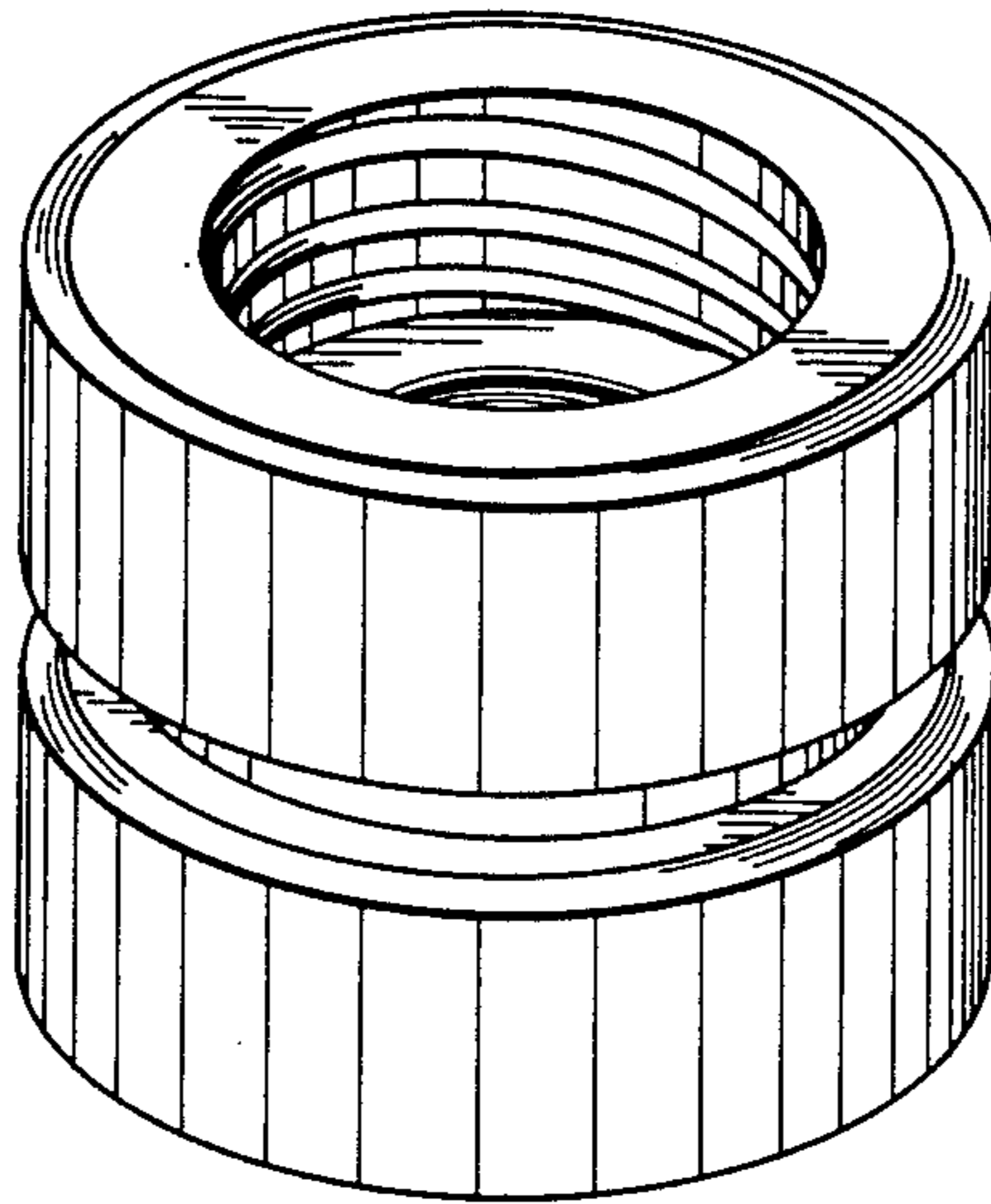


FIG. 1

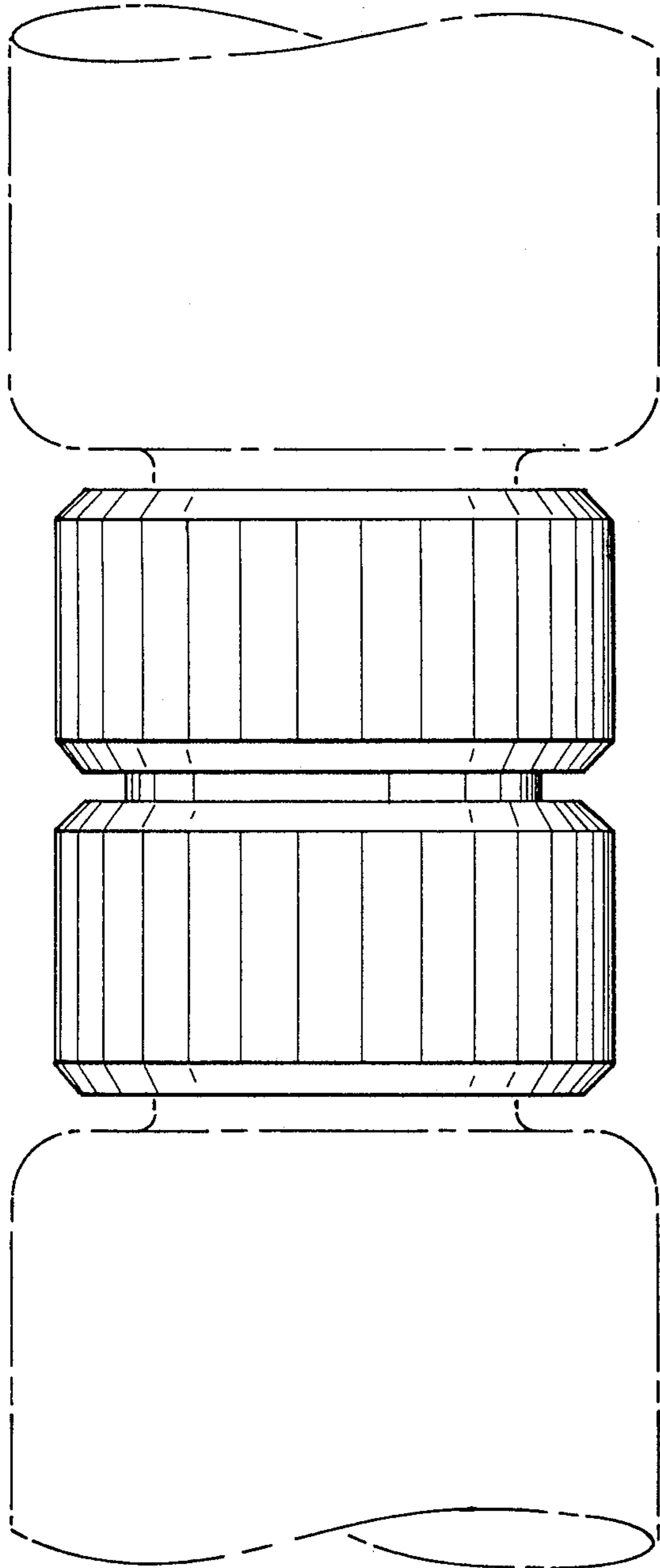
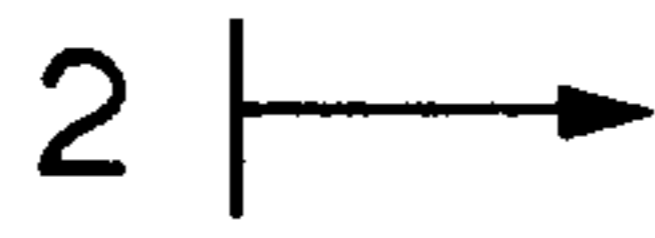


FIG. 2

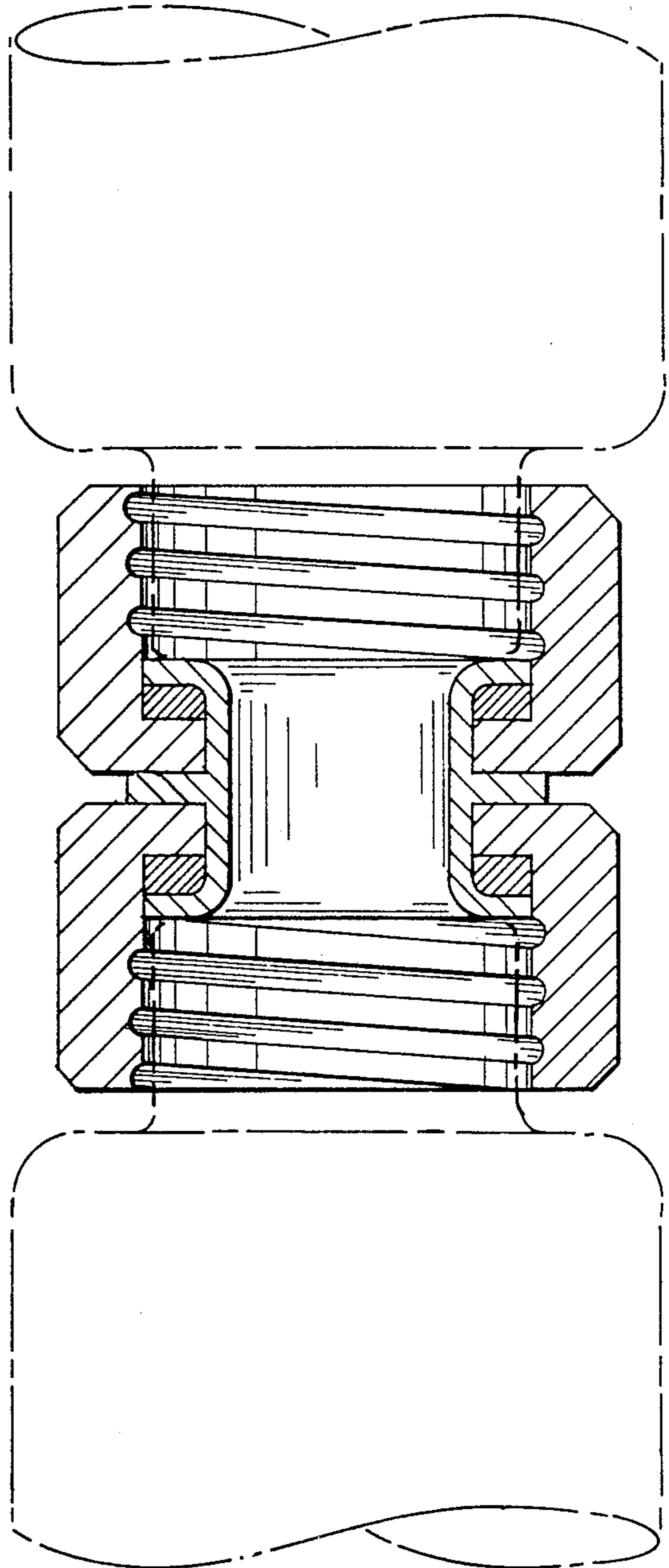


FIG. 3

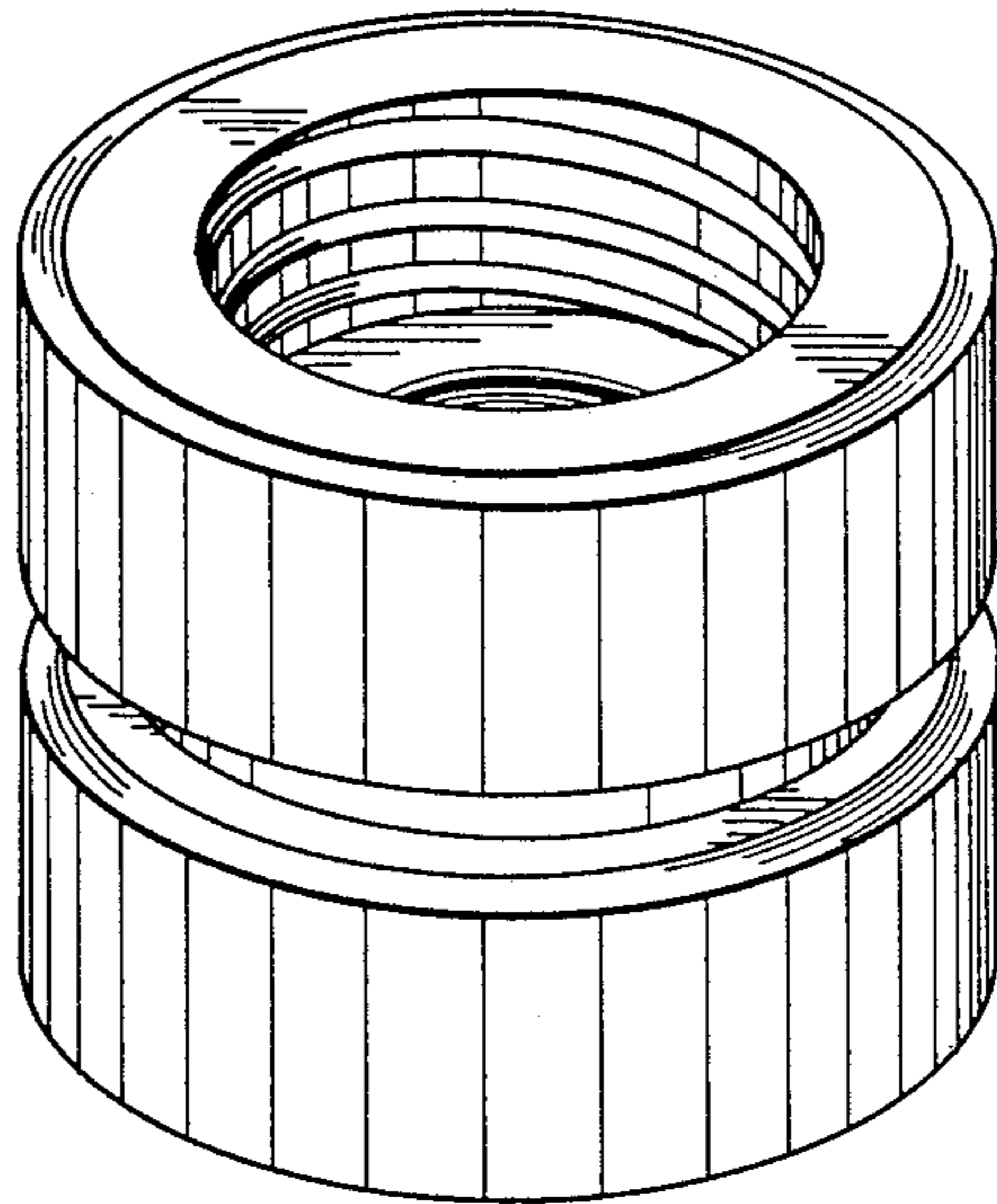
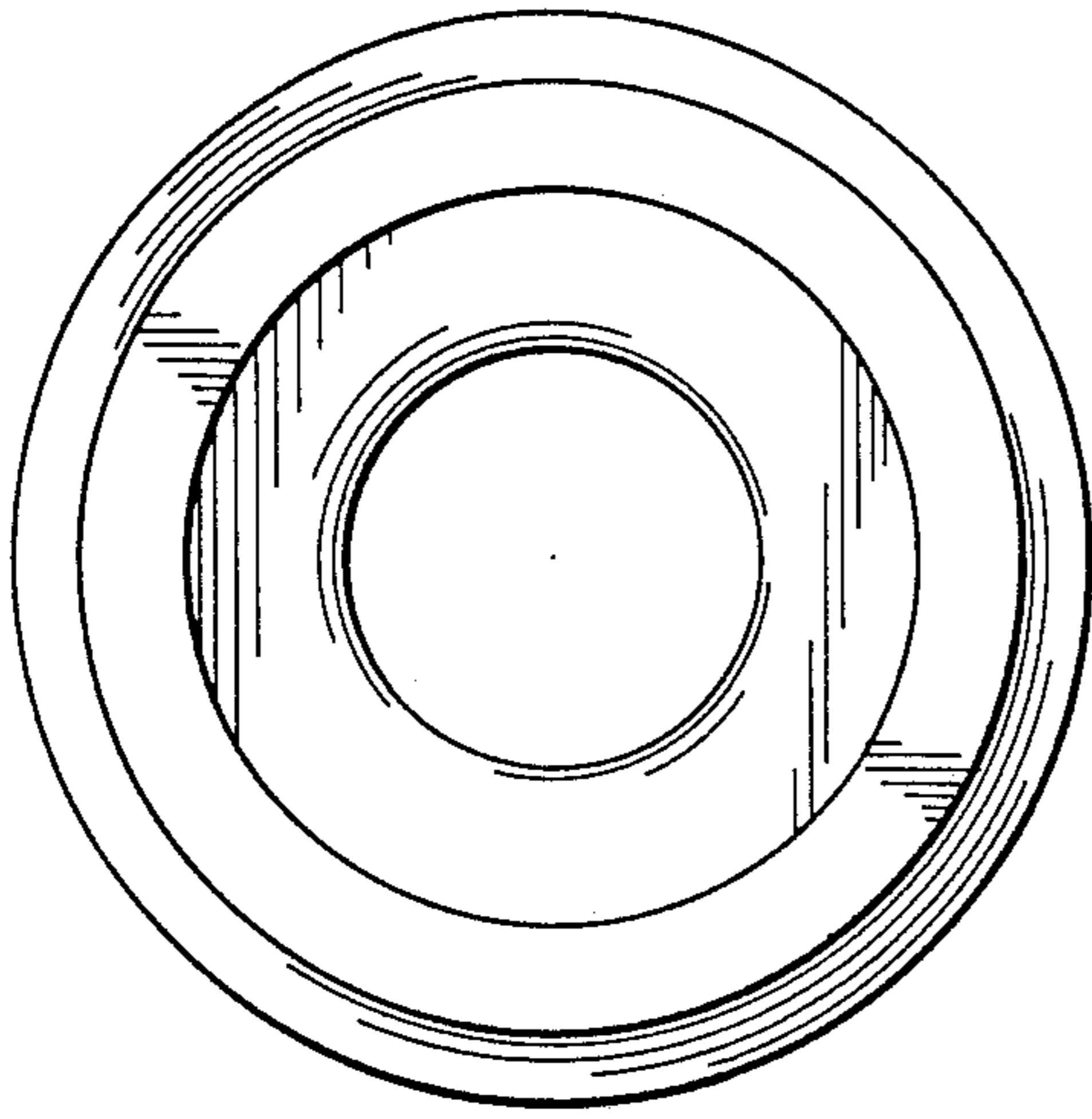


FIG. 5

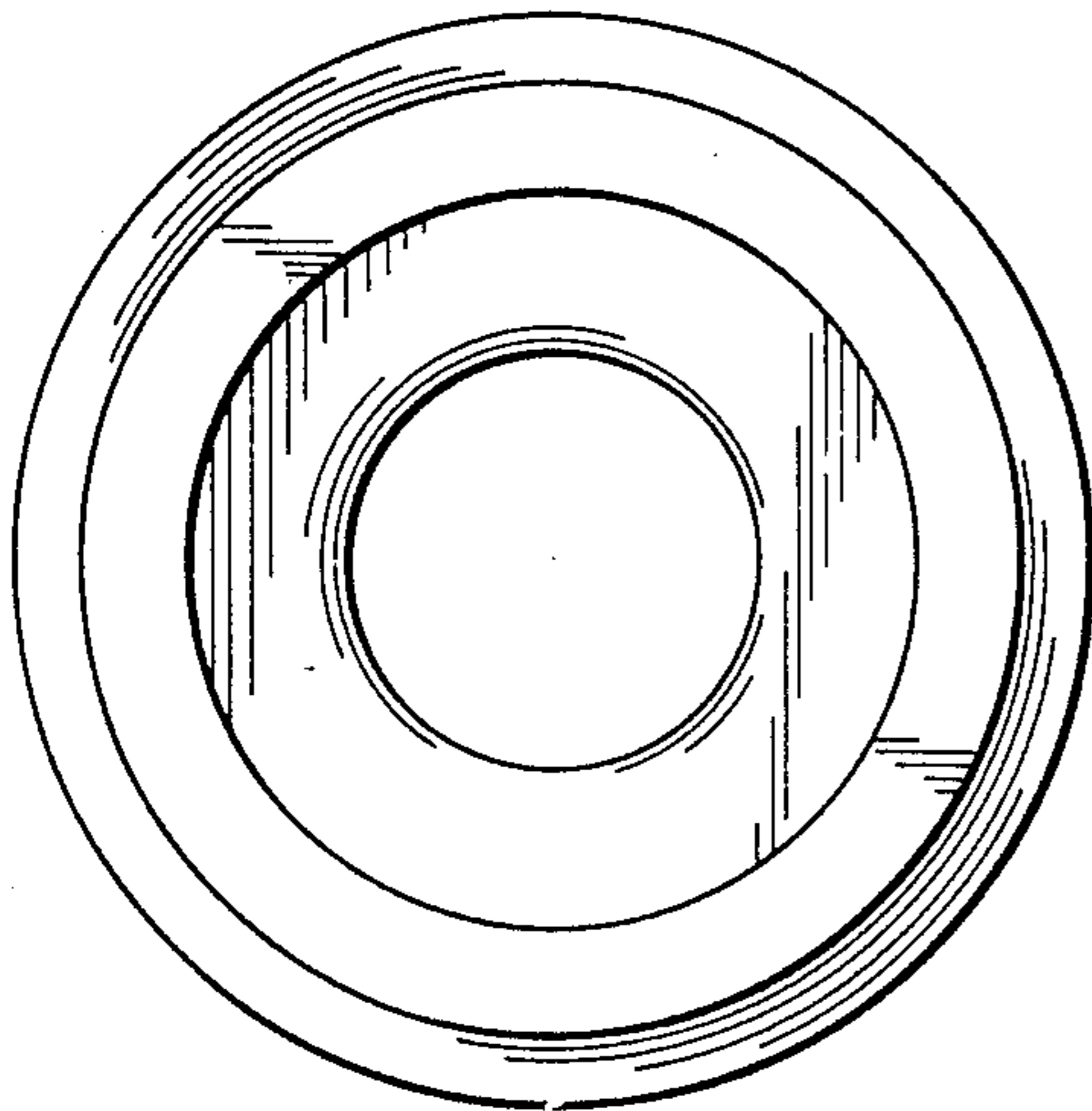


FIG. 4