

[54] **COMBINED DOWEL PIN AND PARTING GUIDE FOR USE IN CONSTRUCTION OF A DENTAL PROSTHETIC**

[76] **Inventors: Mack L. Roden, 2646 Main St.; Steven D. Adams, 3980 Midway Dr., both of Baker, Oreg. 97814**

[\*\*] **Term: 14 Years**

[21] **Appl. No.: 77,790**

[22] **Filed: Jul. 27, 1987**

[52] **U.S. Cl. .... D24/16**

[58] **Field of Search ..... D24/10, 16; 433/36, 433/60, 74, 213; 264/16-17, 69-71, 154, 222, 225, 261, 333; 411/439, 455, 489**

[56] **References Cited**

**U.S. PATENT DOCUMENTS**

D. 292,124	9/1987	Roden et al. ....	D24/16
1,780,117	10/1930	Craigo .	
3,466,750	9/1969	Timberlake .	
3,470,614	10/1969	Kelly .	
3,798,772	3/1974	Eberhard .	
3,937,773	2/1976	Huffman .....	264/17
4,078,310	3/1978	Horger, Jr. ....	264/70 X
4,172,867	10/1979	Devault .....	264/16

4,238,189	12/1980	Tirino .....	264/16 X
4,363,625	12/1982	der Avanessian .....	433/74
4,371,339	2/1983	Zeiser .....	433/74
4,398,884	8/1983	Huffman .....	433/213 X
4,443,192	4/1984	Blitz .....	433/74
4,449,931	5/1984	Saito .....	433/74

**FOREIGN PATENT DOCUMENTS**

1069355 1/1980 Canada .

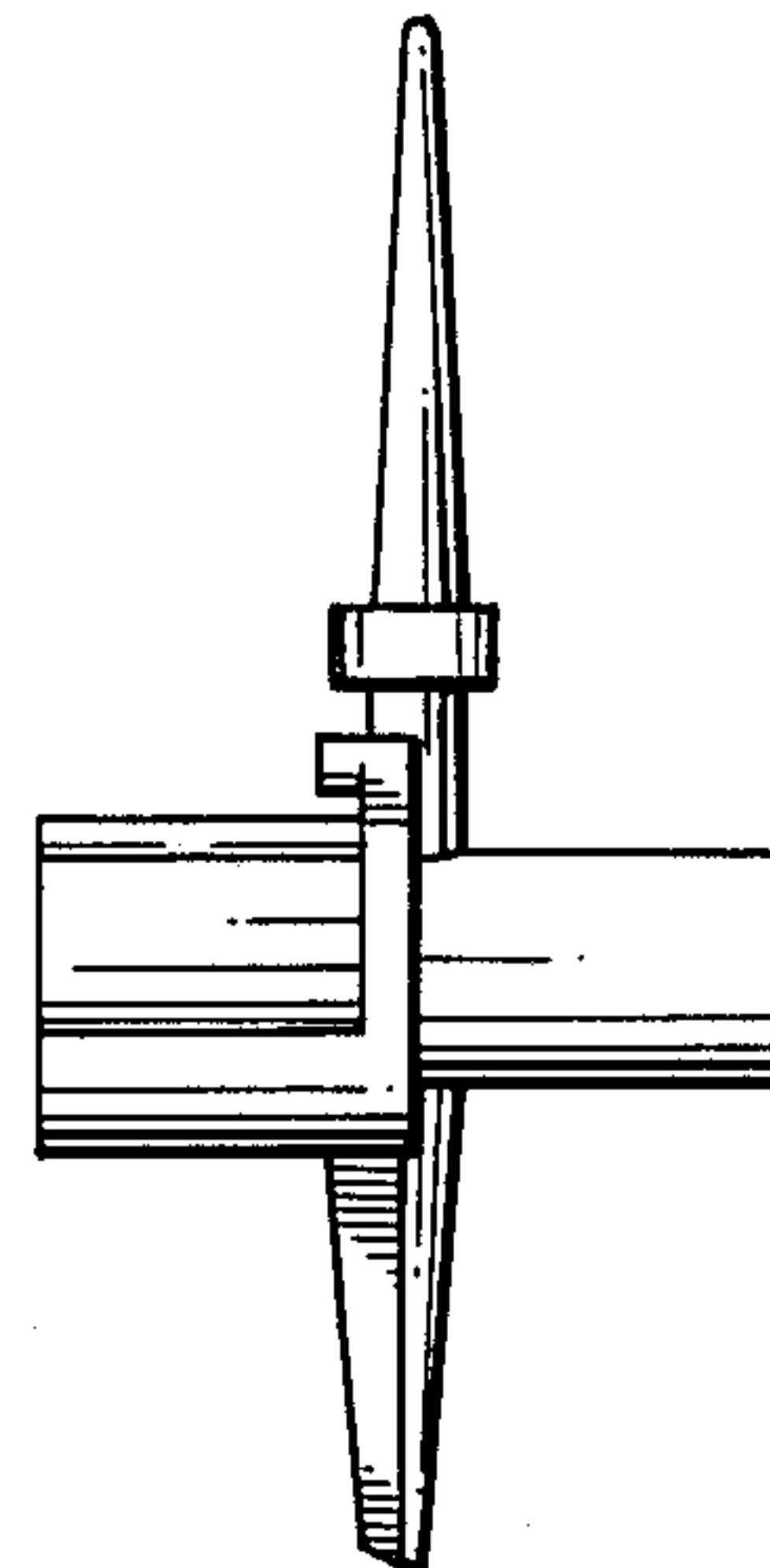
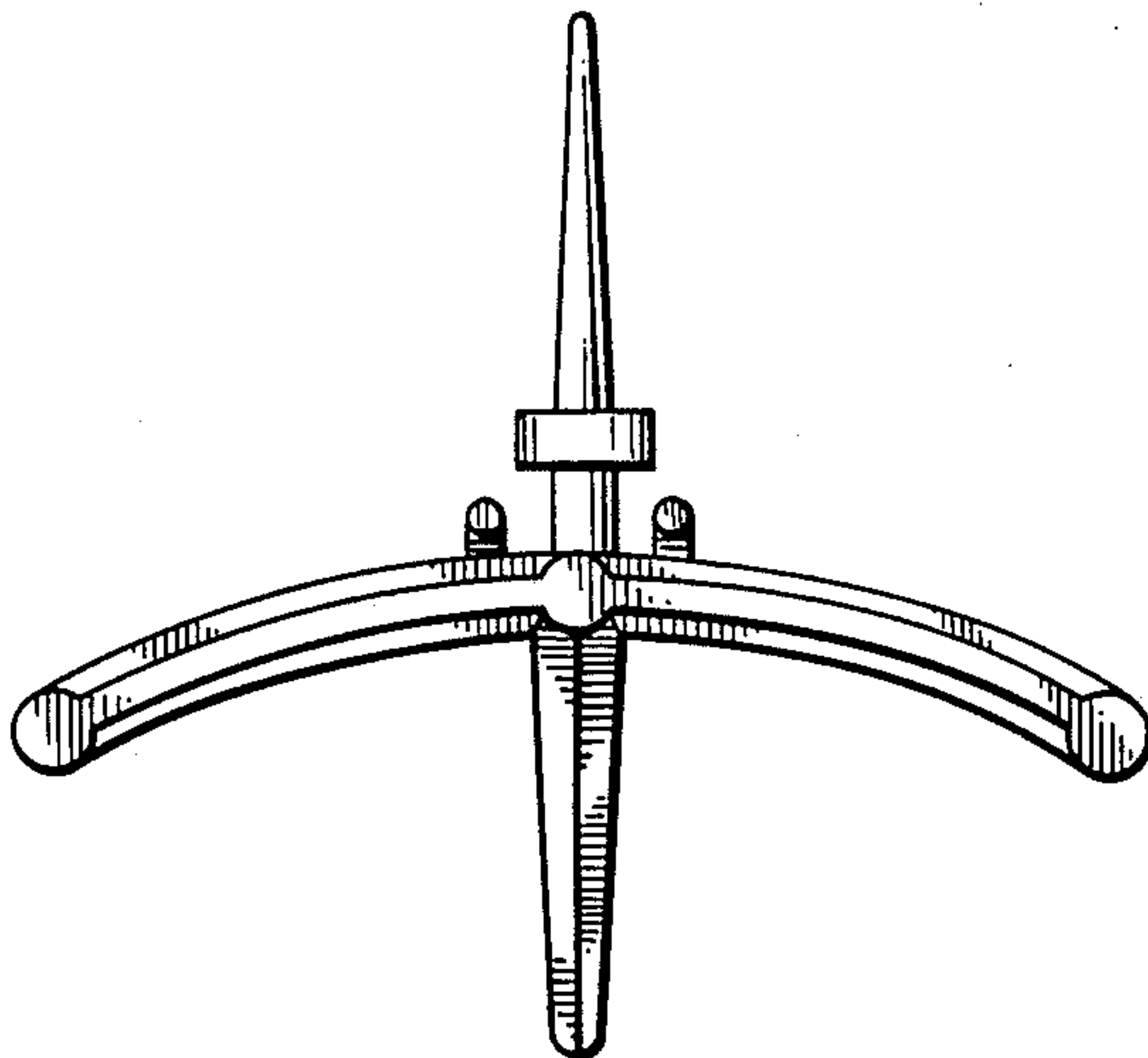
*Primary Examiner*—Wallace R. Burke  
*Assistant Examiner*—Brian N. Vinson  
*Attorney, Agent, or Firm*—T. W. Secrest

[57] **CLAIM**

The ornamental design for combined dowel pin and parting guide for use in construction of a dental prosthetic.

**DESCRIPTION**

FIG. 1 is a front elevational view of a combined dowel pin and parting guide for use in the construction of dental prosthetics showing our new design; FIG. 2 is a right side elevational view thereof, the left side being a mirror image of that shown; FIG. 3 is a rear elevational view thereof; FIG. 4 is a top plan view thereof; and FIG. 5 is a bottom plan view thereof.



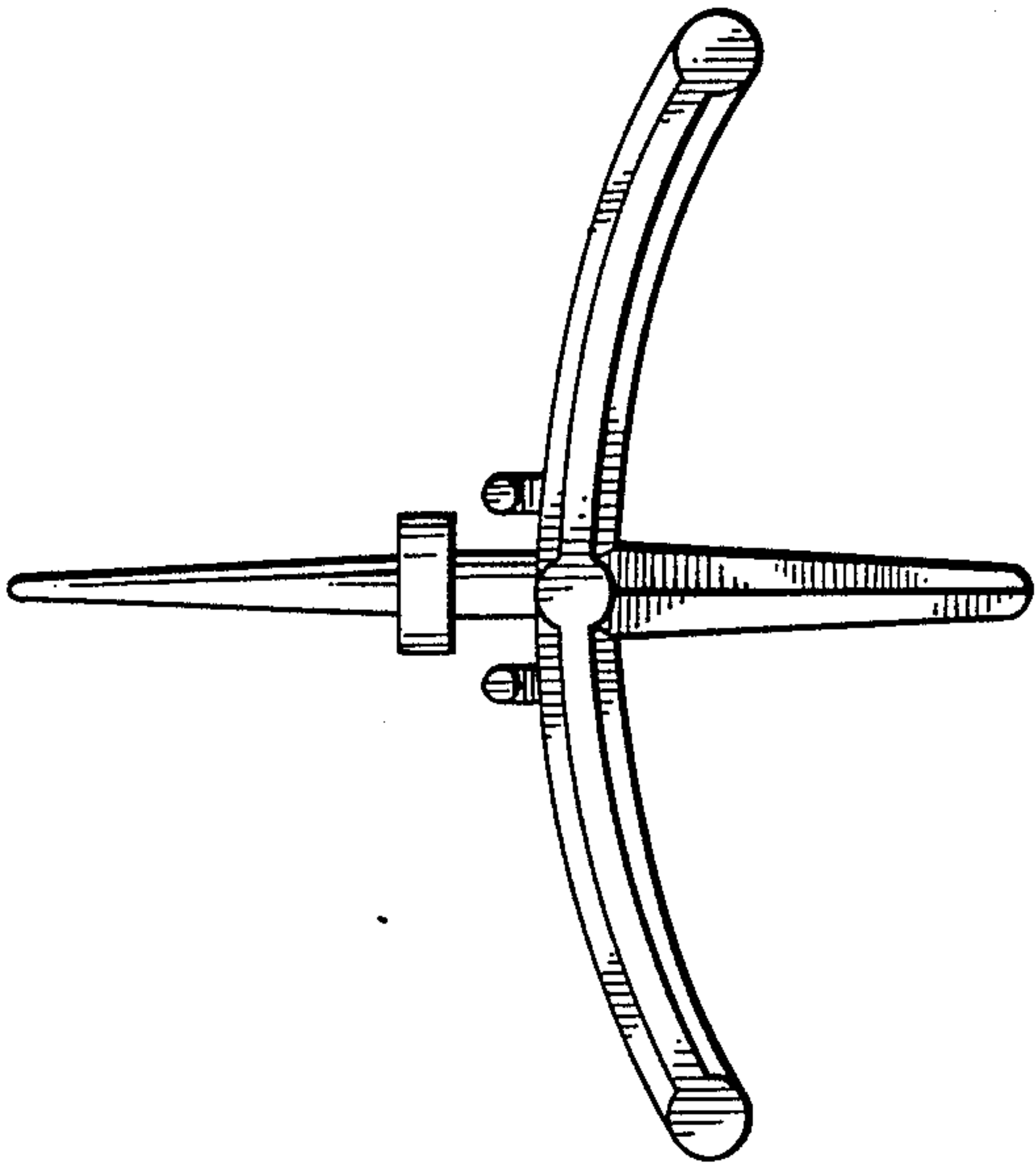


FIG. 1

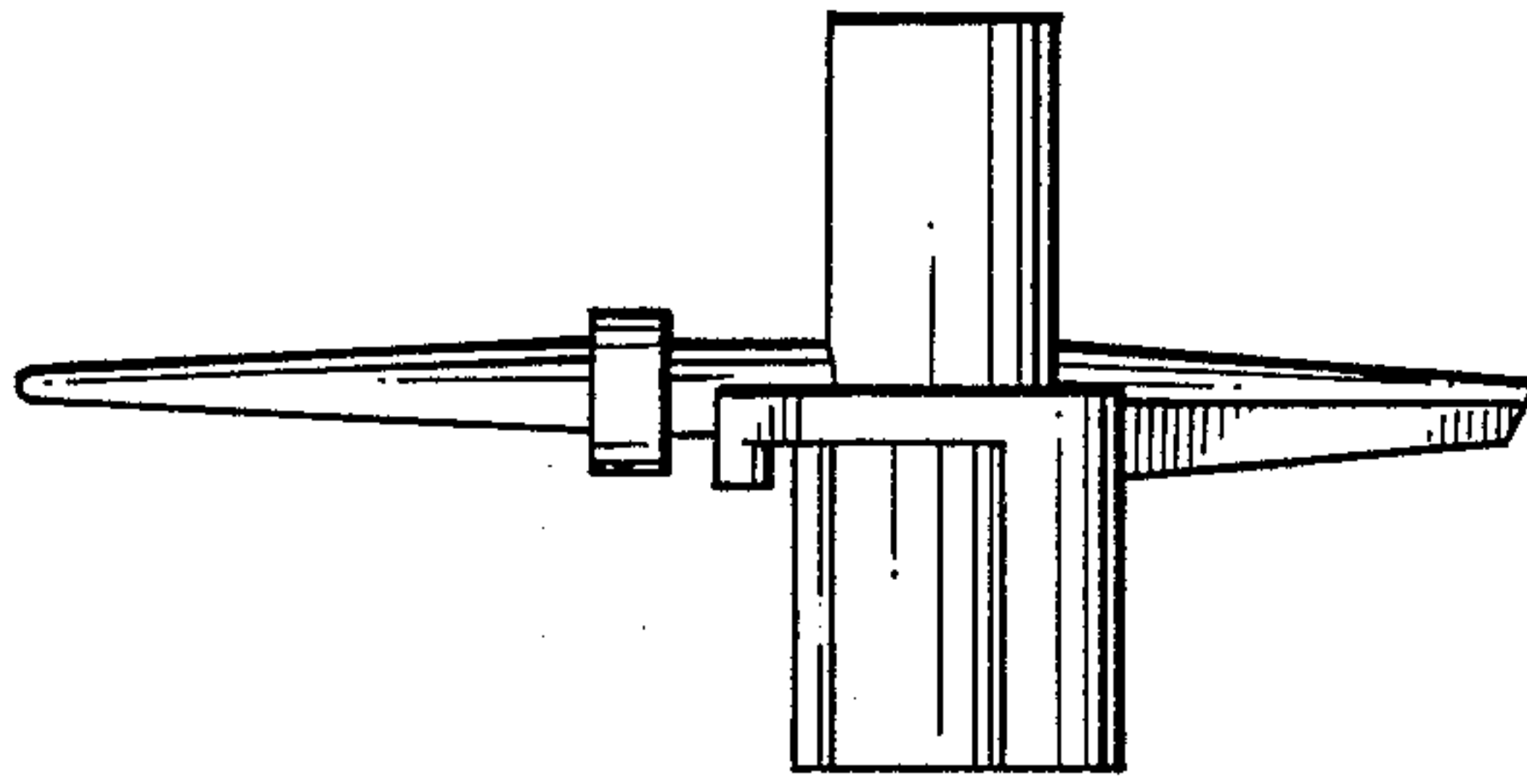


FIG. 2

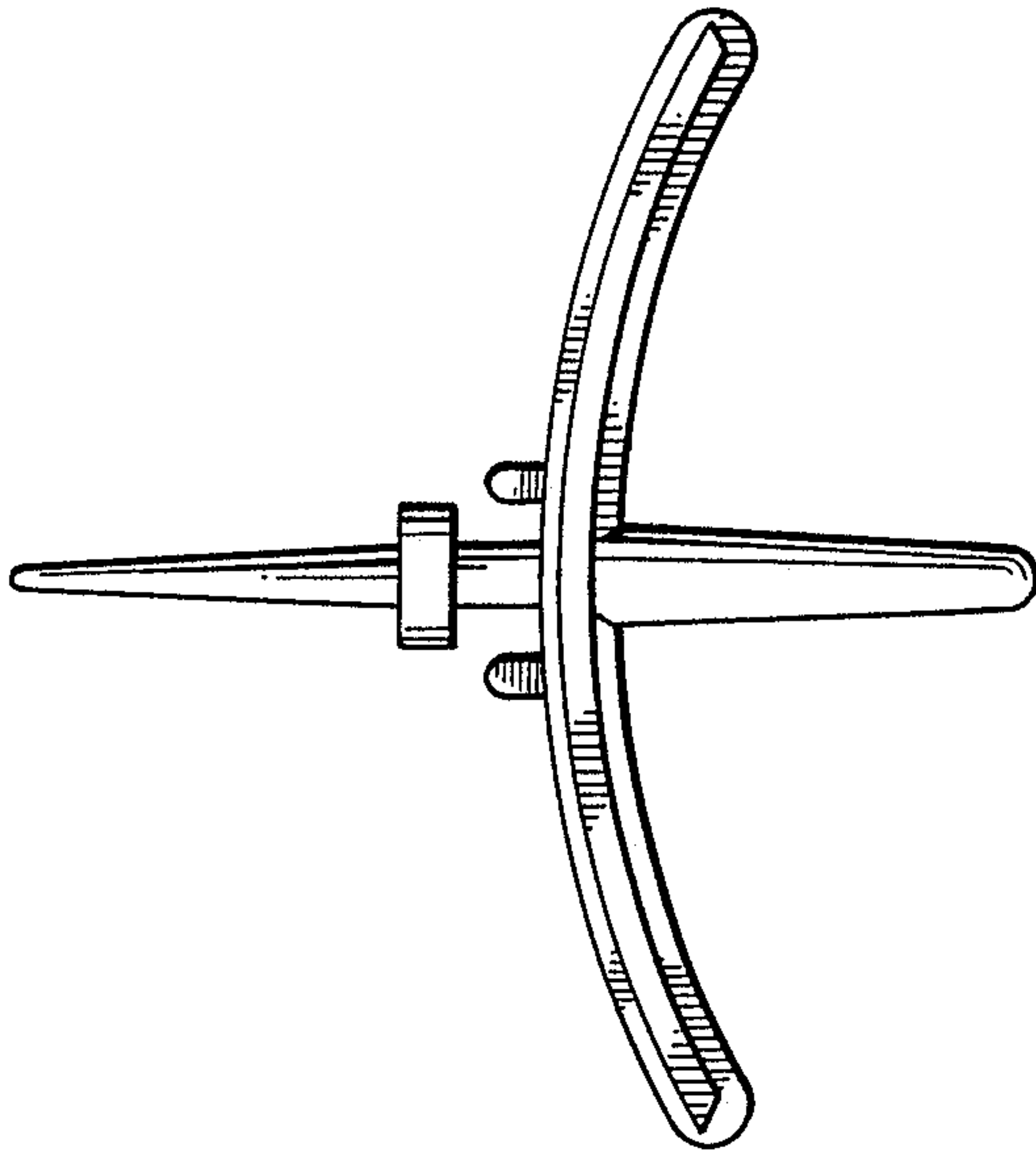


FIG. 3

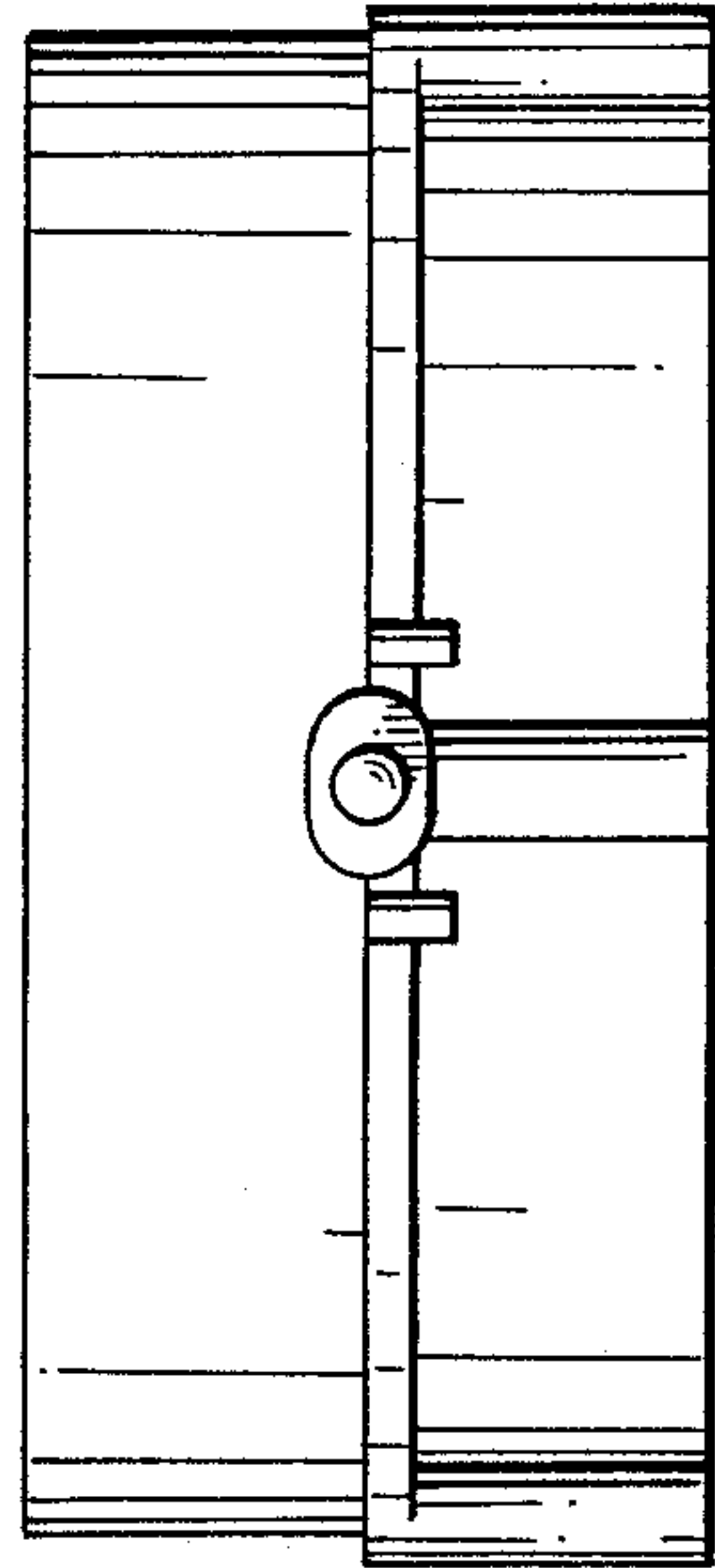


FIG. 4

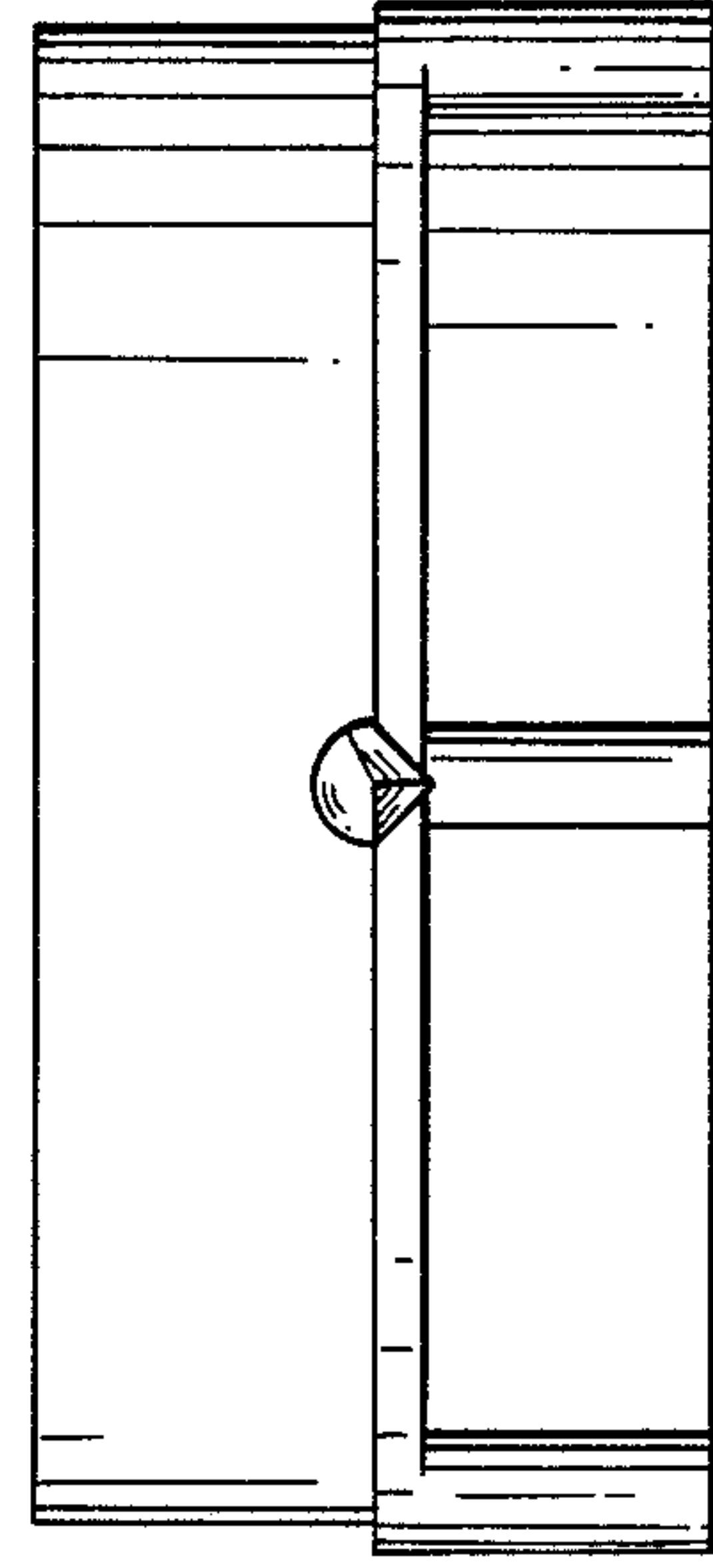


FIG. 5