

[54] ORTHODONTIC BRACKET

4,322,206 3/1982 Reynolds 433/9
4,487,581 12/1984 Adler 433/16

[75] Inventor: Jirina V. Pospisil, Monrovia, Calif.

Primary Examiner—Wallace R. Burke
Assistant Examiner—Brian N. Vinson
Attorney, Agent, or Firm—Donald M. Sell; Walter N. Kirn; James D. Christoff

[73] Assignee: Minnesota Mining and Manufacturing Company, St. Paul, Minn.

[**] Term: 14 Years

[57] CLAIM

[21] Appl. No.: 19,142

The ornamental design for an orthodontic bracket, as shown and described.

[22] Filed: Feb. 25, 1987

DESCRIPTION

[52] U.S. Cl. D24/16

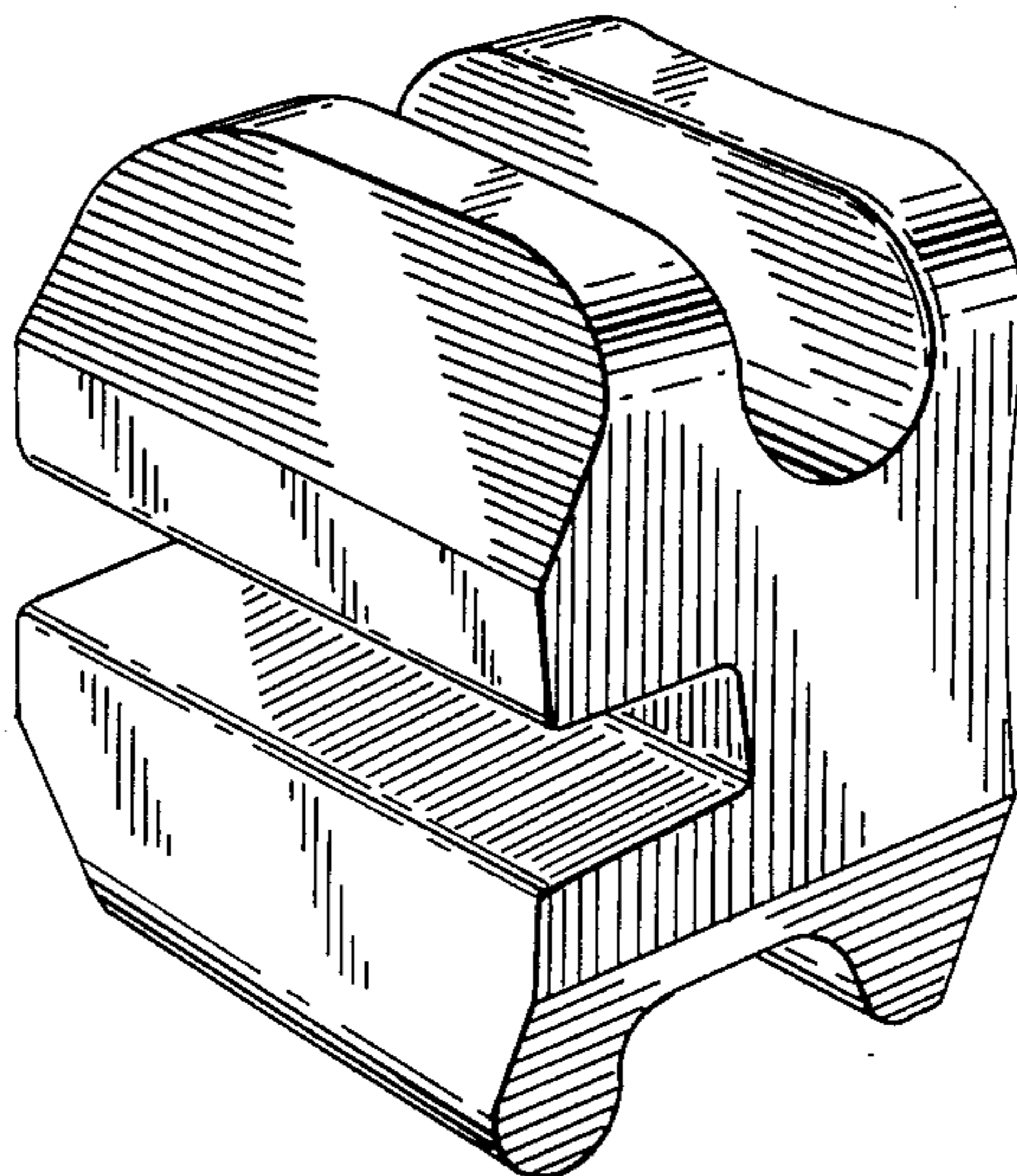
[58] Field of Search D24/10, 16; 433/8-17

FIG. 1 is a top, front and right side perspective view of an orthodontic bracket showing my new design;
FIG. 2 is a top, rear and left side perspective view thereof;
FIG. 3 is a front elevational view thereof;
FIG. 4 is a rear elevational view thereof;
FIG. 5 is a right side elevational view thereof, the left side being a mirror image of that shown;
FIG. 6 is a top plan view thereof; and
FIG. 7 is a bottom plan view thereof.

[56] References Cited

U.S. PATENT DOCUMENTS

D. 289,329	4/1987	Evans	D24/16
D. 290,040	5/1987	Kelly	D24/16
D. 291,919	9/1987	Reynolds	D24/10
3,303,565	2/1967	Newman	D24/10 X
3,391,461	7/1968	Johnson	D24/10 X



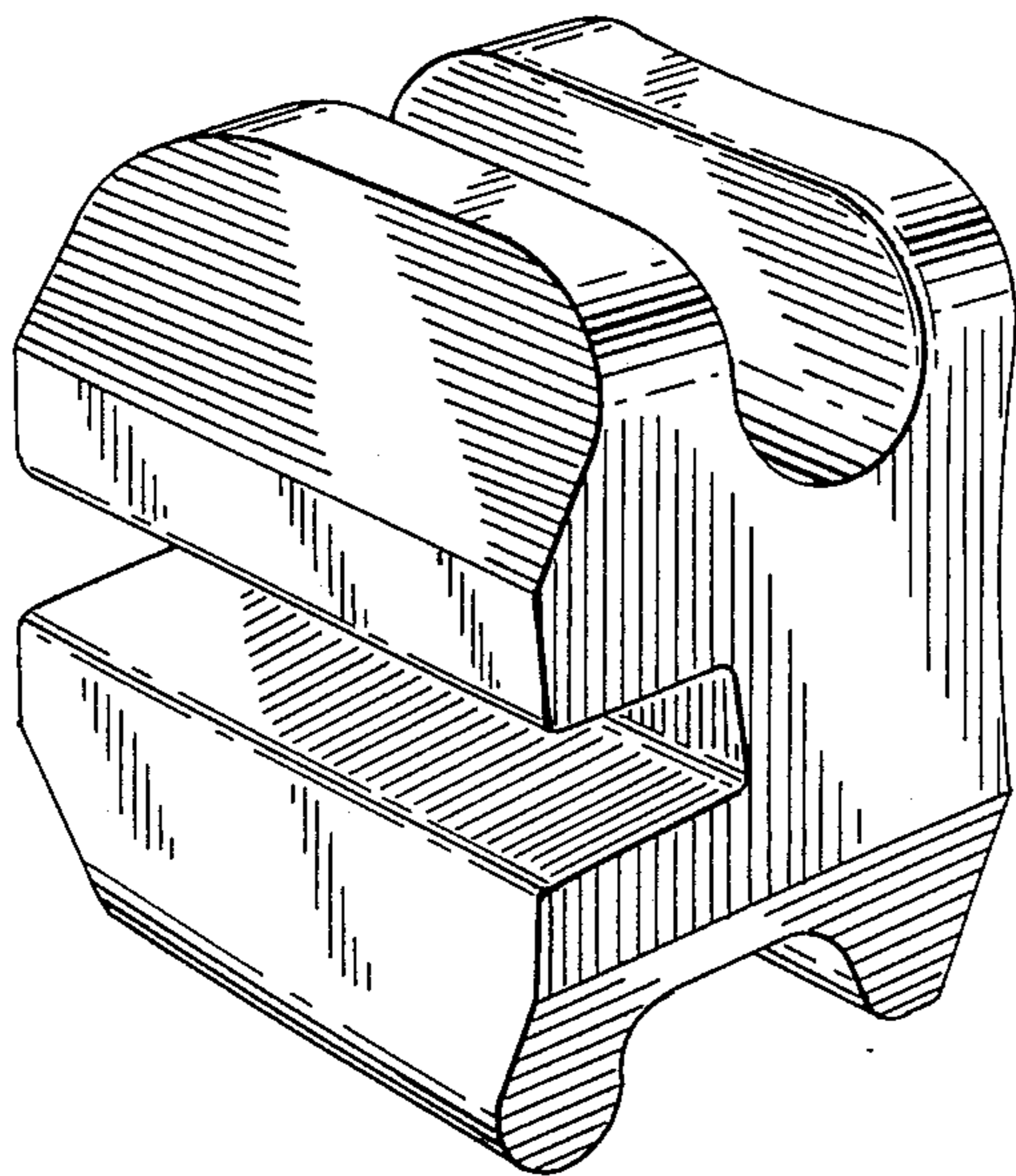


Fig. 1

Fig. 2

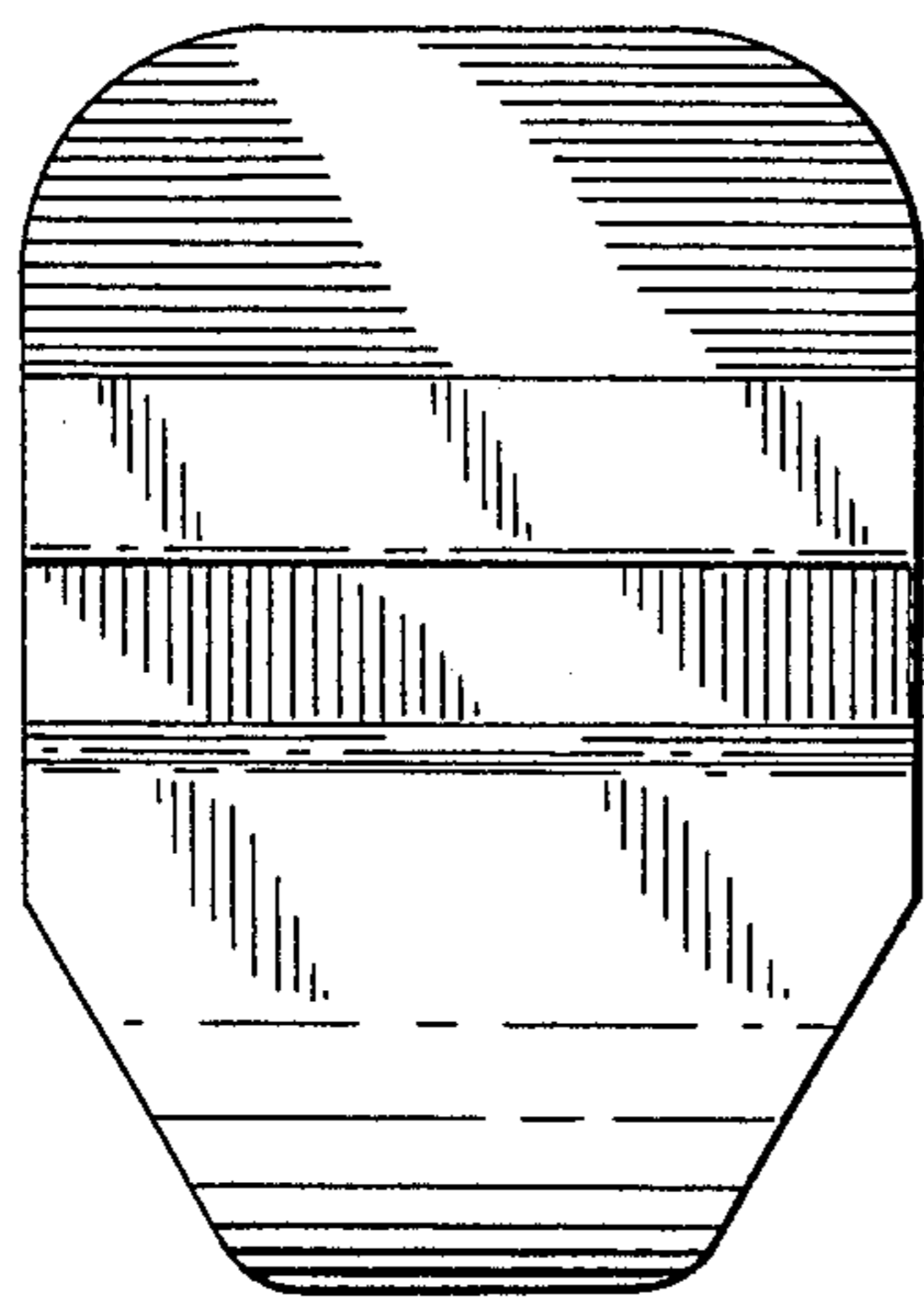
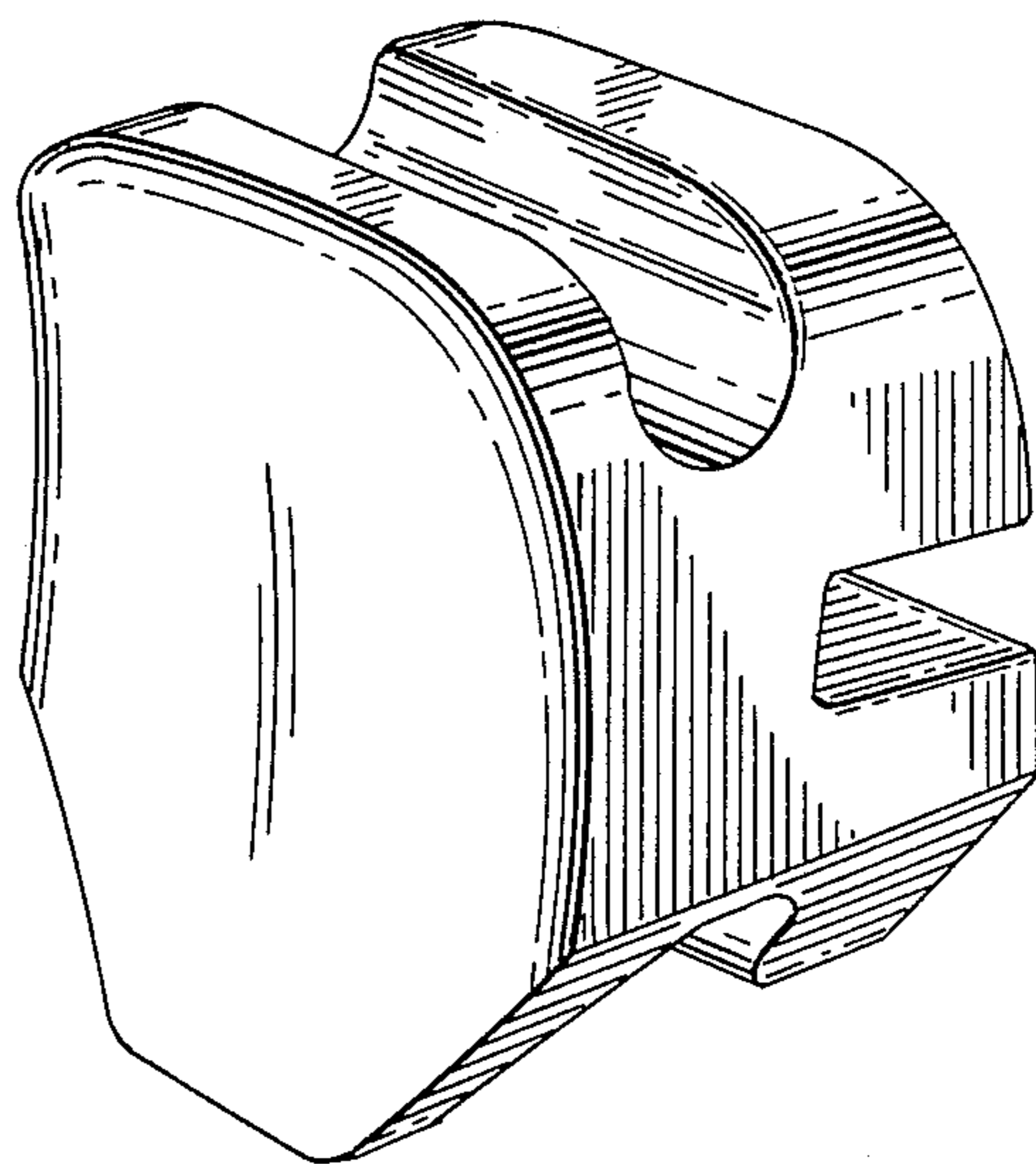


Fig. 3

Fig. 4

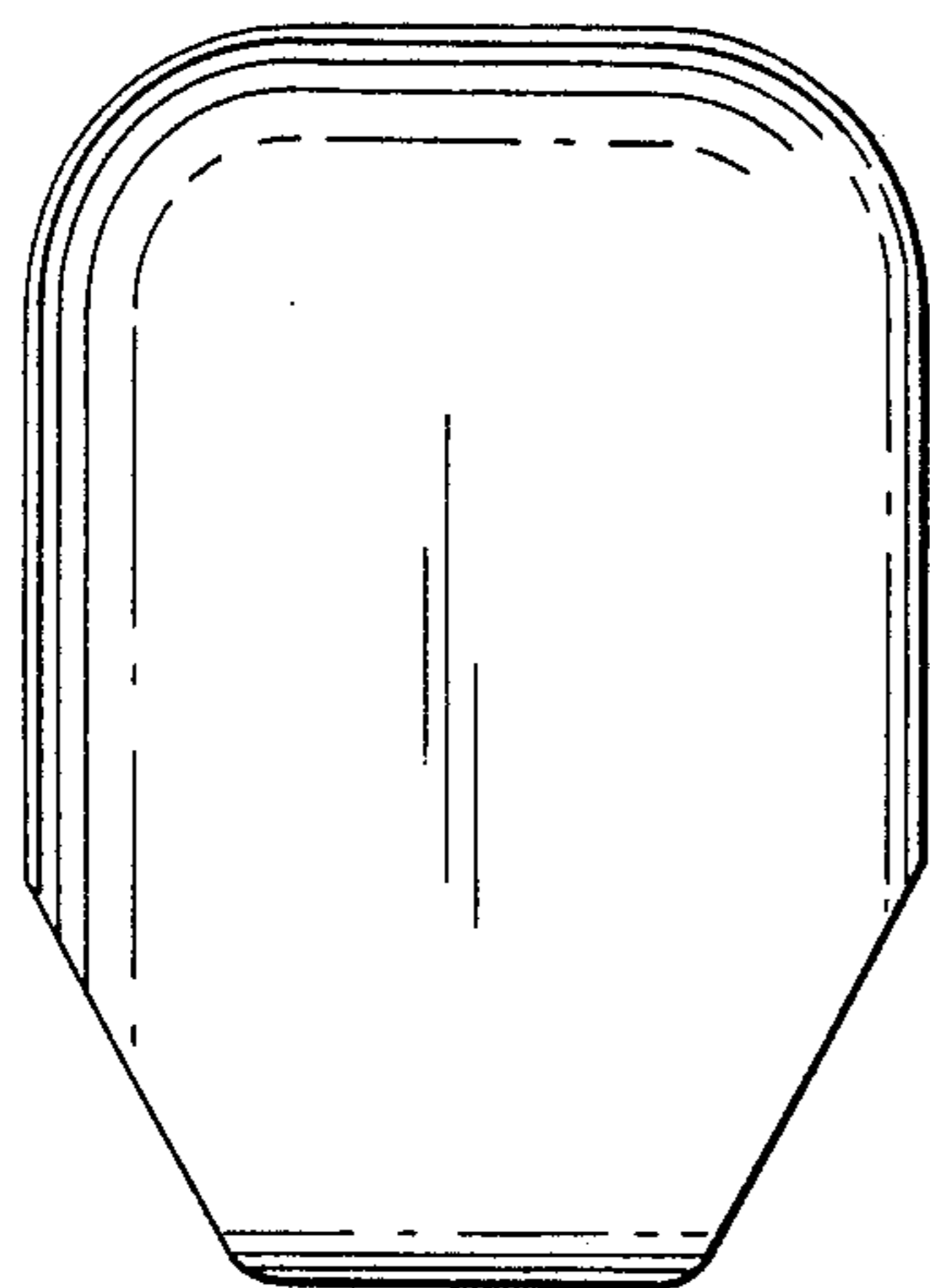


Fig. 5

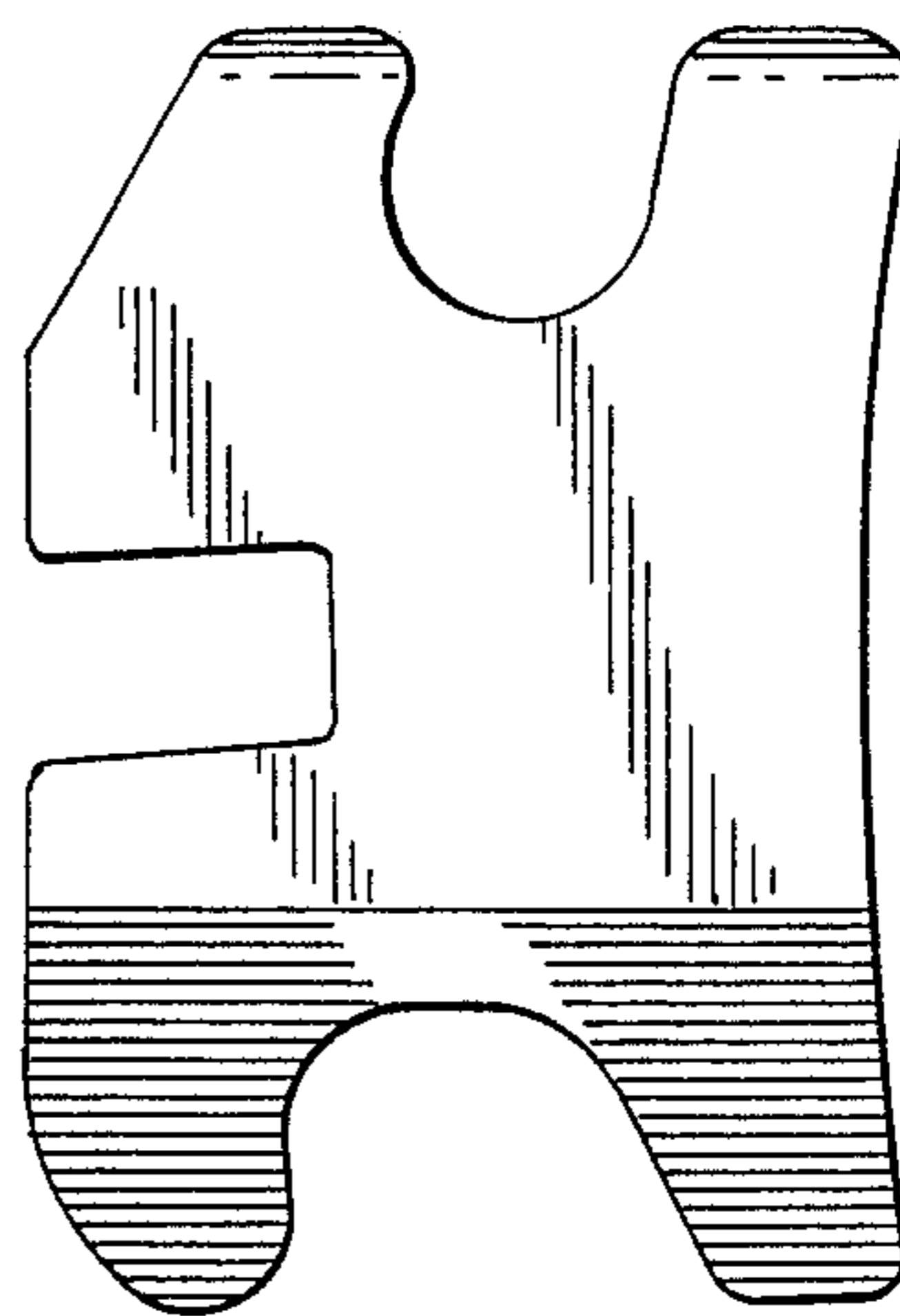


Fig. 6

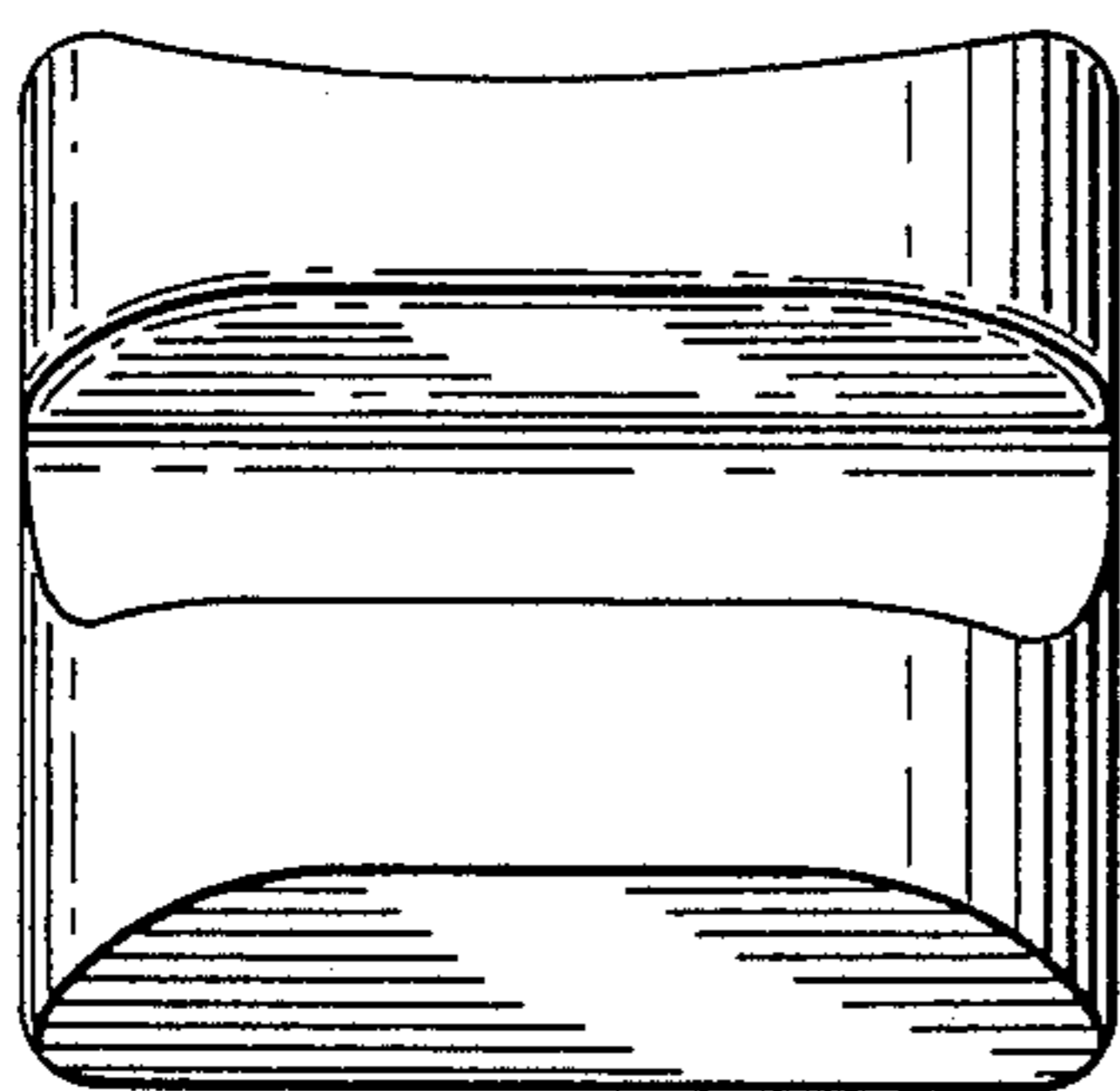


Fig. 7

