

[54] **SUPPORT RACK FOR PRINTER AND PAPER**

[76] **Inventor: Robert H. Chang, 870 North Ave., Des Plaines, Ill. 60016**

[**] **Term: 14 Years**

[21] **Appl. No.: 934,141**

[22] **Filed: Jan. 5, 1987**

[52] **U.S. Cl. D18/23; D6/462; D6/465**

[58] **Field of Search D6/462, 419, 420, 463, D6/464, 465; D18/23; 211/181**

[56] **References Cited**
U.S. PATENT DOCUMENTS

D. 278,196	4/1985	Koves	D6/465
D. 290,020	5/1987	McCoy	D18/23
D. 290,970	7/1987	Rich	D18/23
D. 295,984	5/1988	Currie	D18/23
4,651,967	3/1987	McCoy	D6/419

OTHER PUBLICATIONS

"IBM Technical Disclosure Bulletin", vol. 4, No. 1, Jun. 1961, p. 1; Fan Fold Paper Rack on page. *Global*, ©1986, p. 45; "The Organizer" Desktop Printer Stand, top right on page.

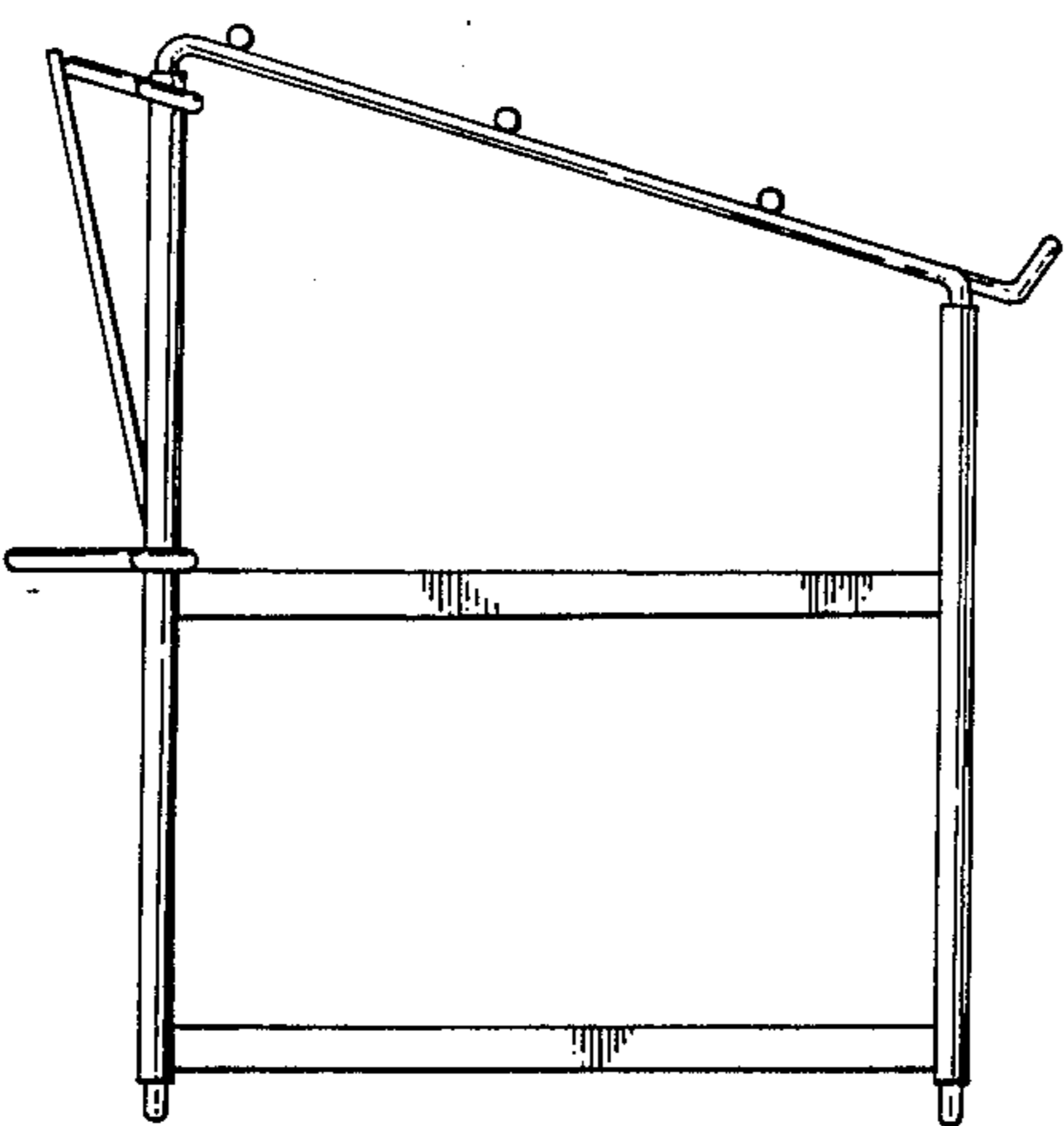
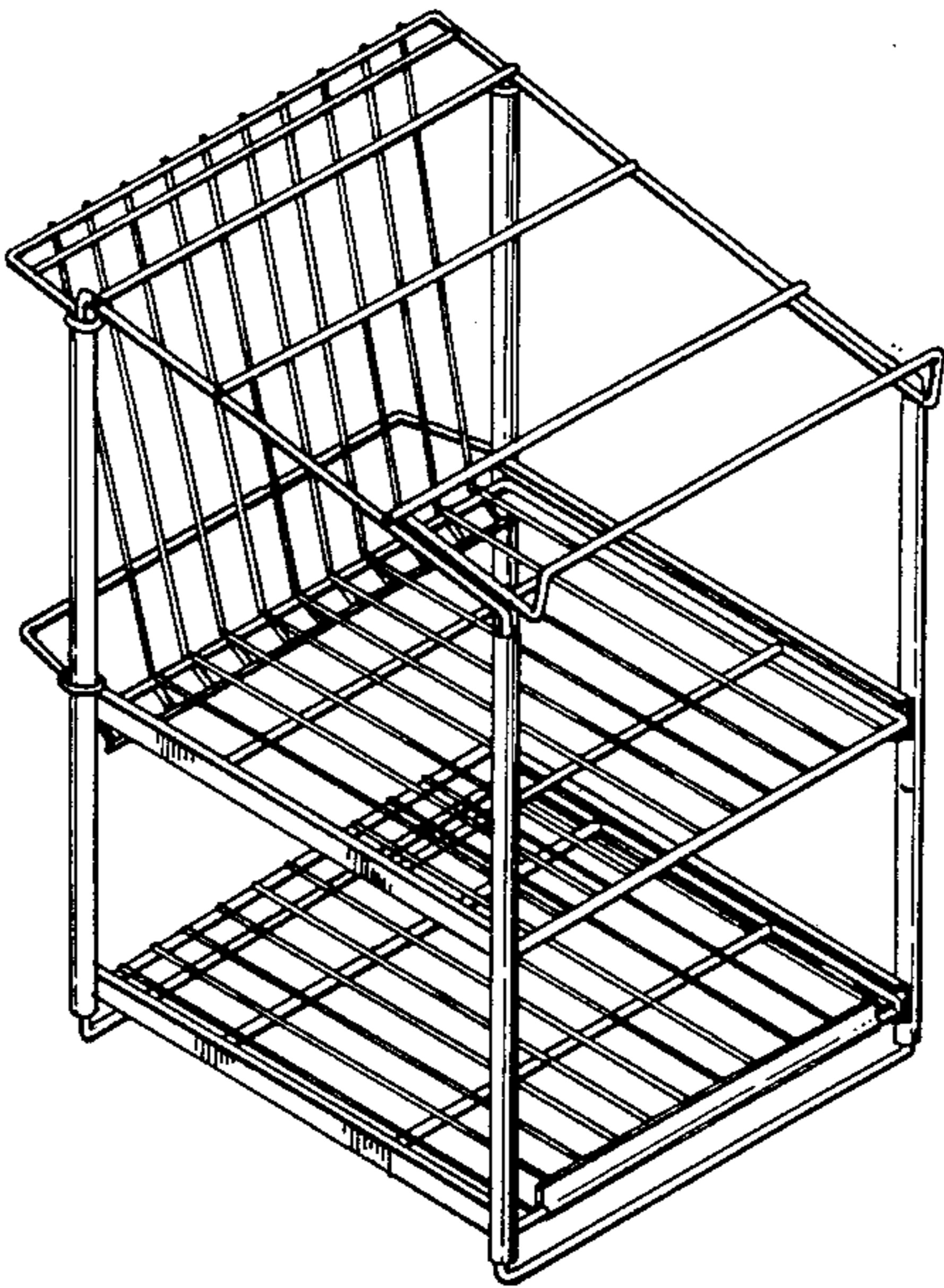
Primary Examiner—Carmen H. Vales-Lado
Attorney, Agent, or Firm—Milton S. Gerstein; Marvin M. Benn

[57] **CLAIM**

The ornamental design for a support rack for printer and paper, as shown and described.

DESCRIPTION

FIG. 1 is a perspective view of a support rack for printer and paper therefor showing my new design; FIG. 2 is a side elevational view of thereof; FIG. 3 is a front elevational view thereof; FIG. 4 is a side elevational view, the broken line showing of a printer and paper is for illustrative purposes only and forms no part of the claimed design; FIG. 5 is a top plan view thereof; FIG. 6 is a bottom plan view thereof; and FIG. 7 is a rear elevational view thereof.



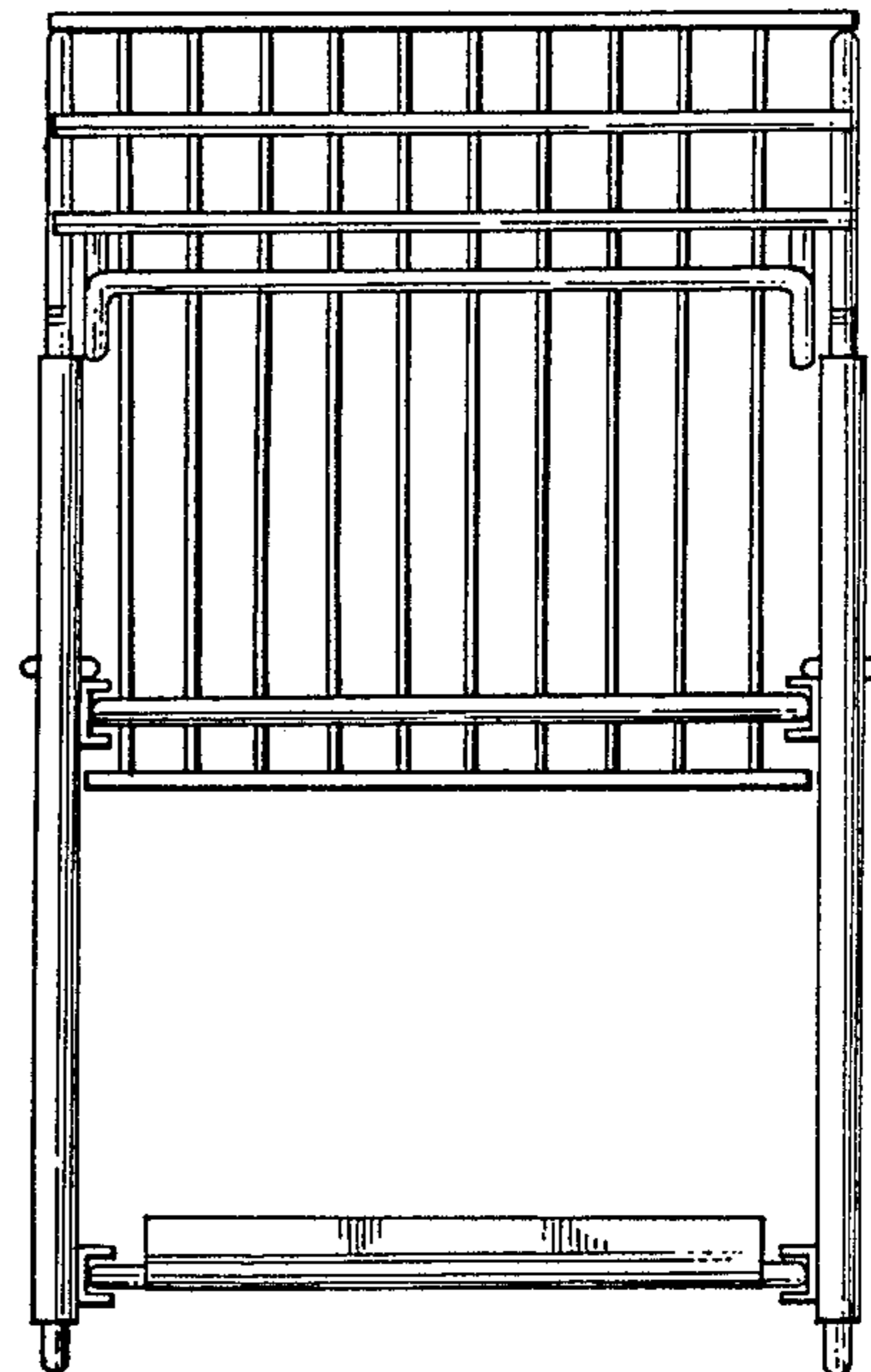
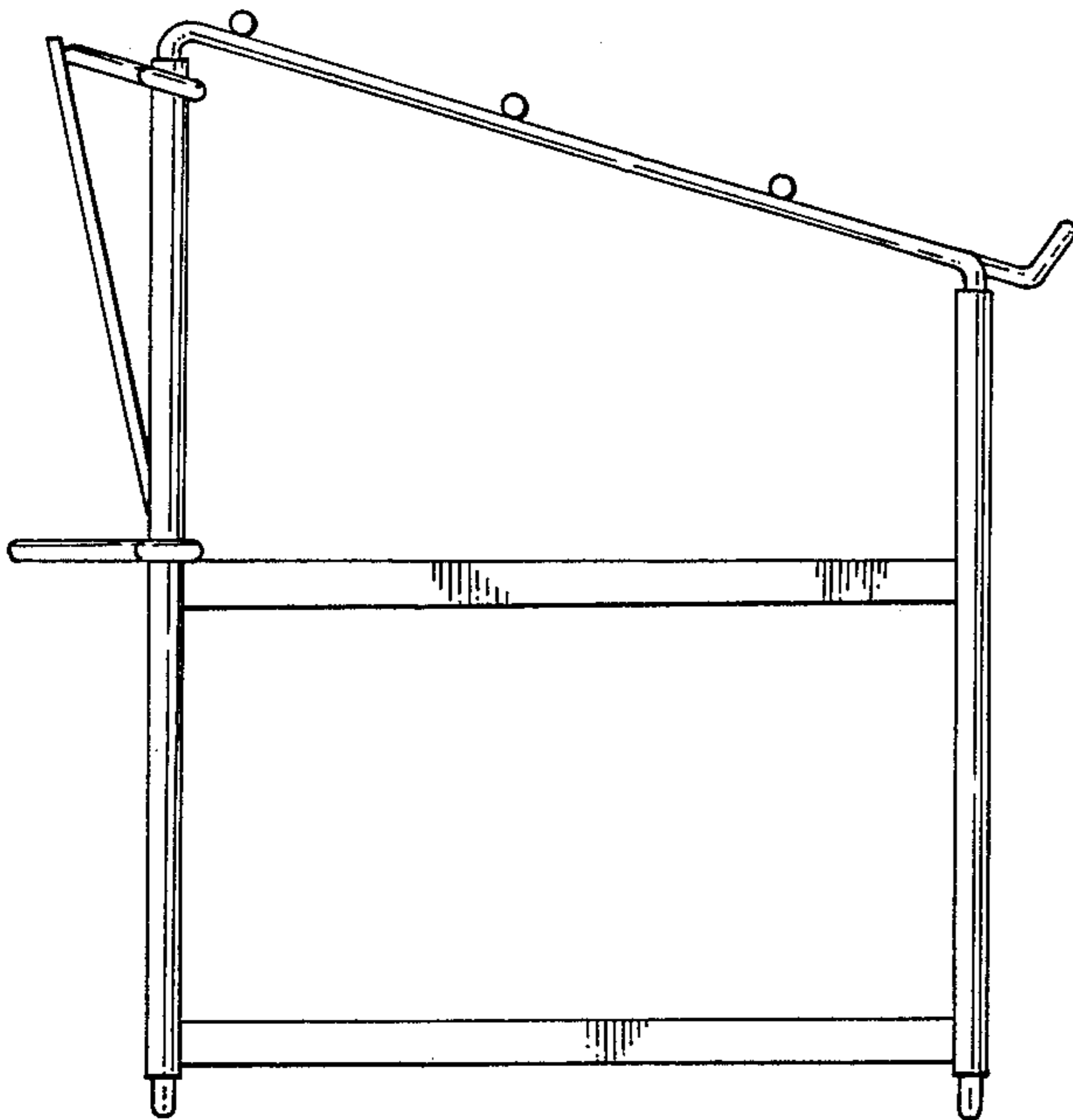
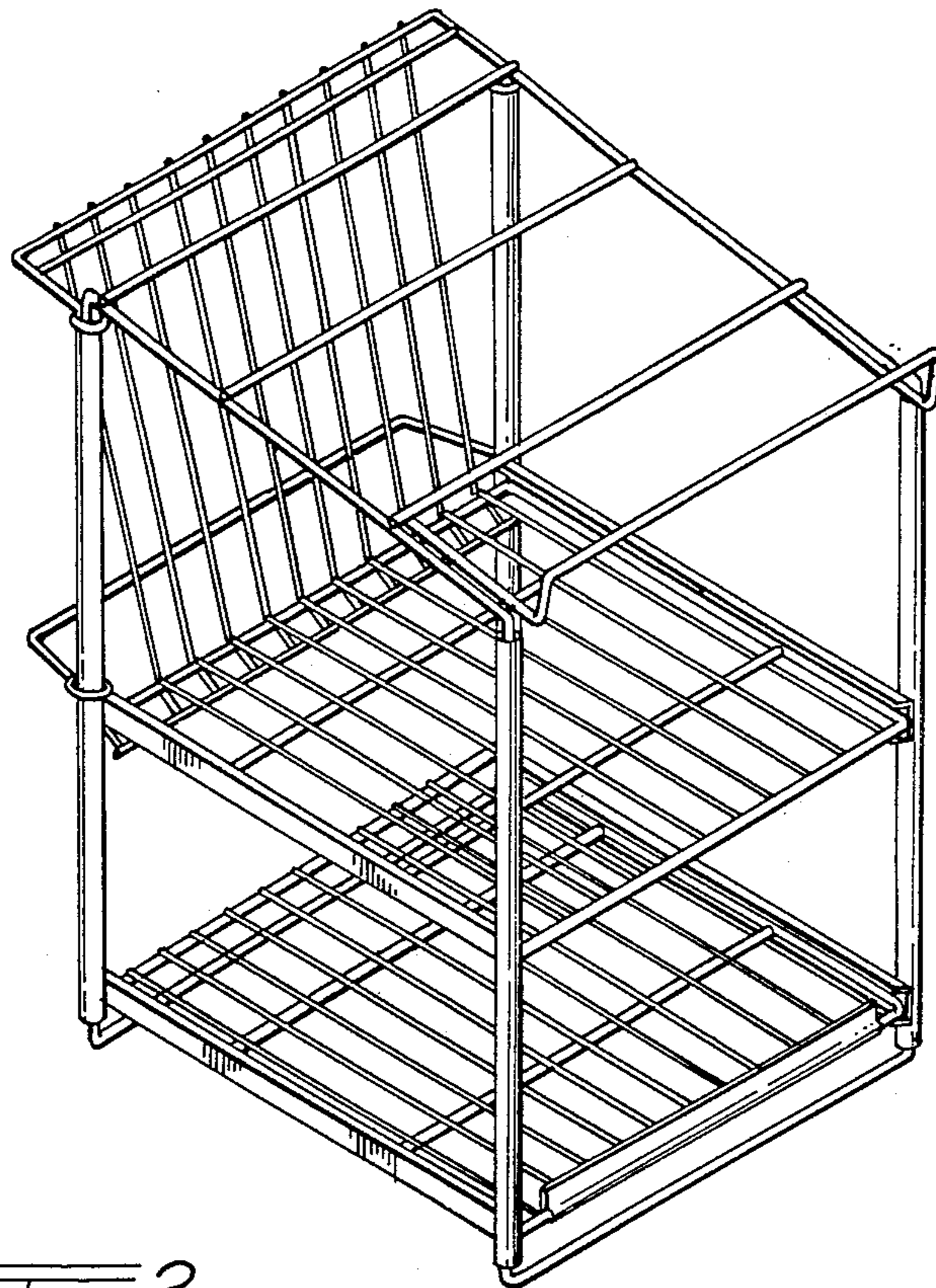


FIG. 4

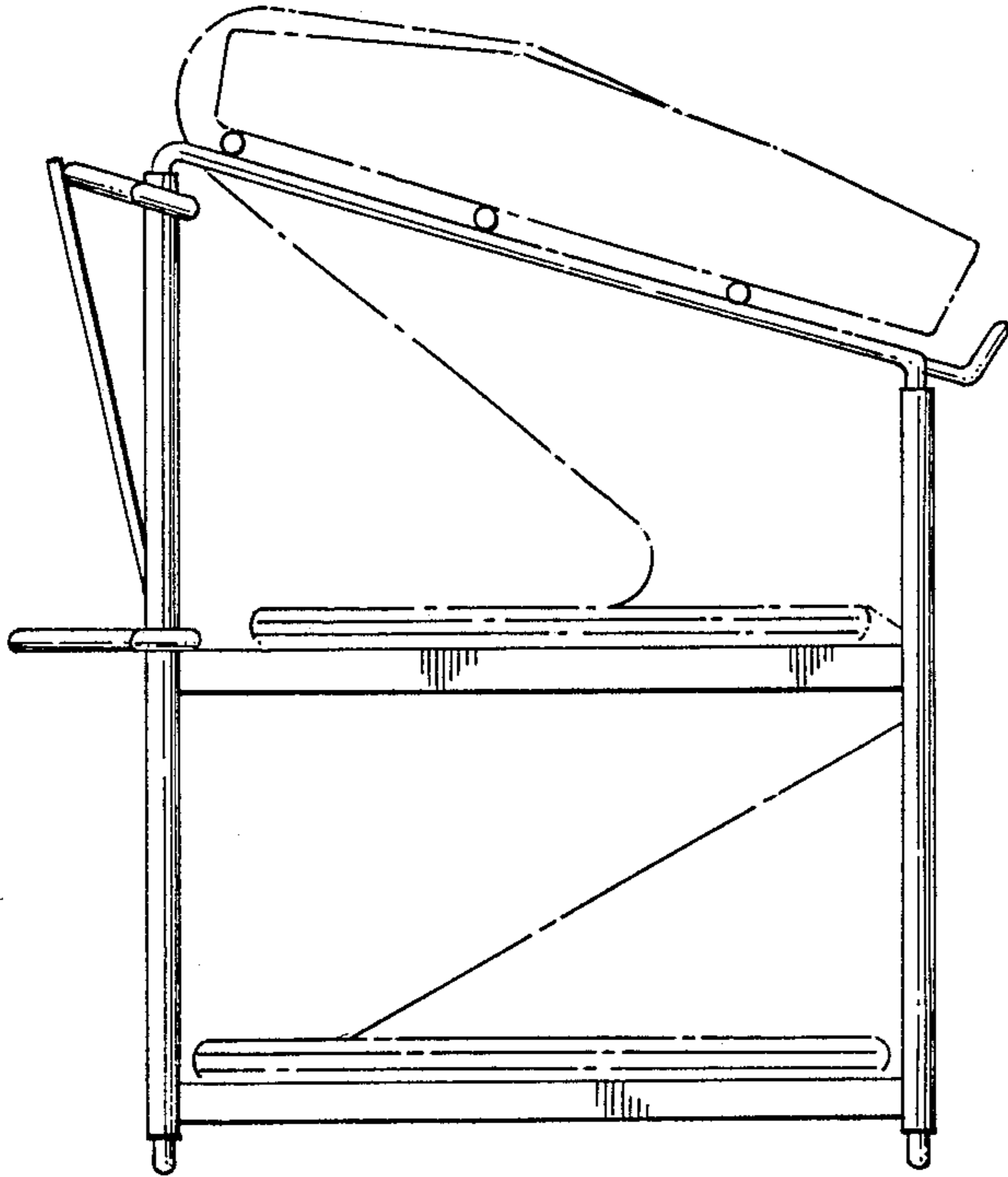


FIG. 5

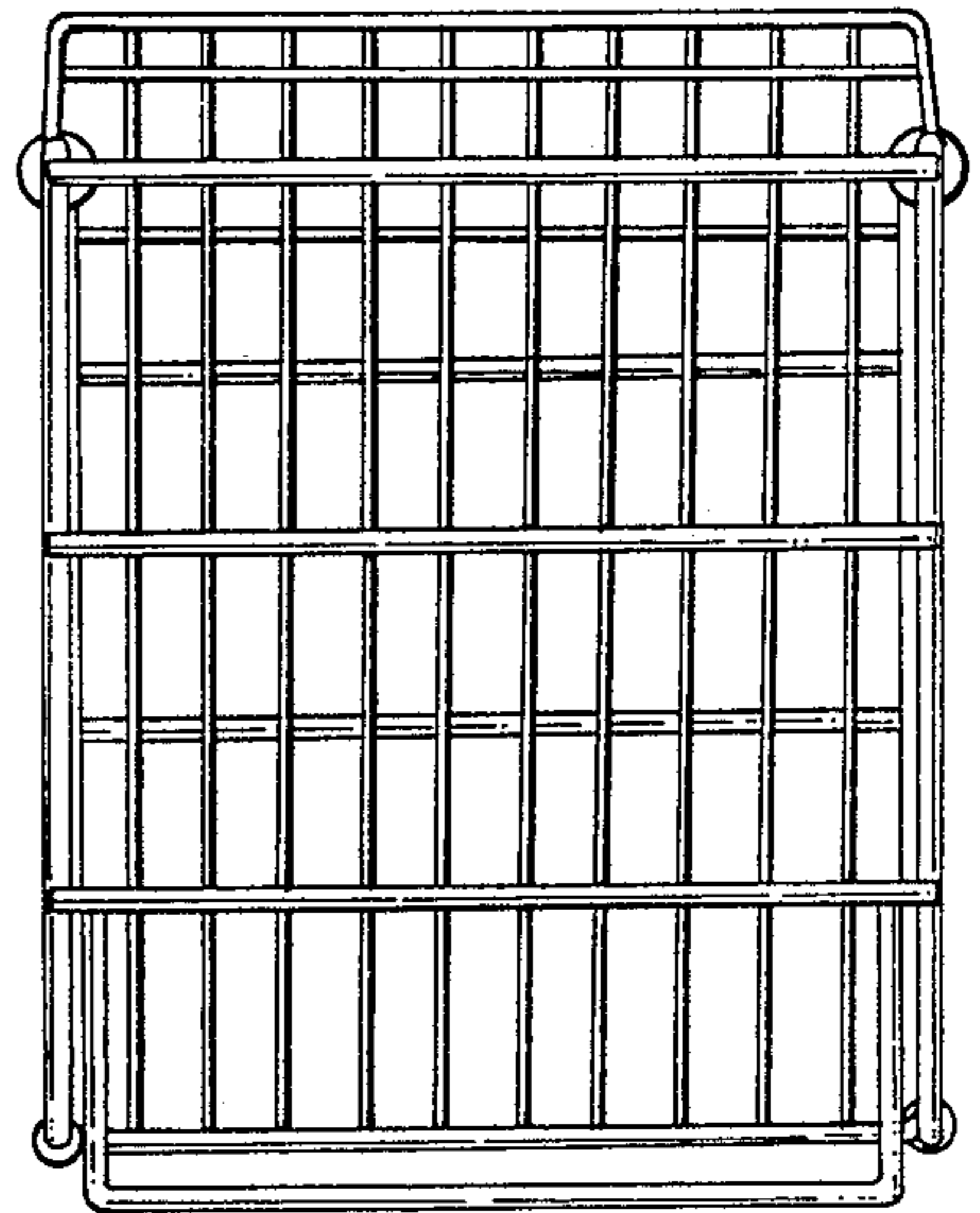


FIG. 6

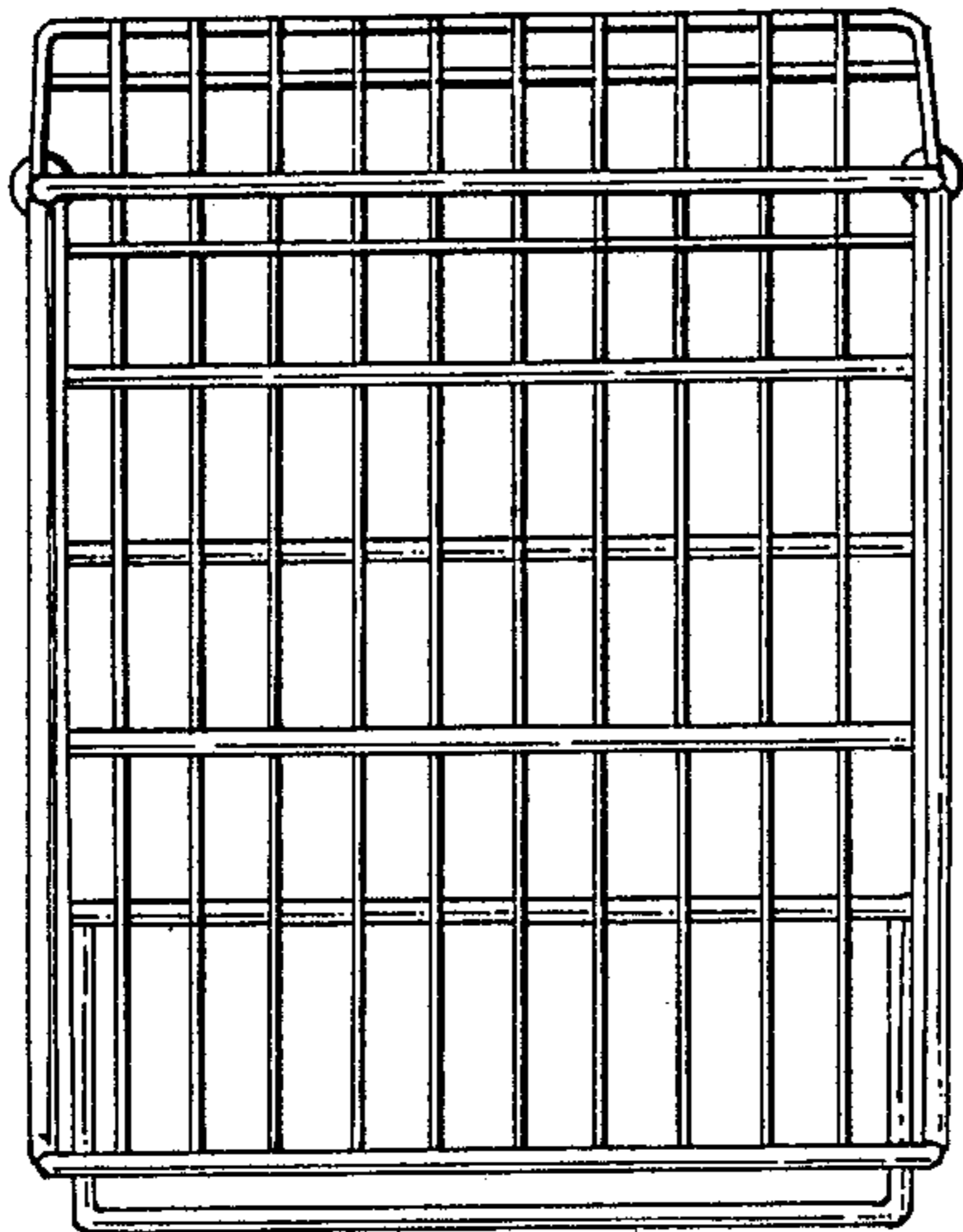


FIG. 7

