

[54] WEIGHT LIFTING BAR

[76] Inventor: Bruce E. Pearson, 409 W. Woodruff, Apt. 1, Searcy, Ark. 72143

[\*\*] Term: 14 Years

[21] Appl. No.: 64,453

[22] Filed: Jun. 22, 1987

[52] U.S. Cl. .... D21/198; D21/197

[58] Field of Search ..... D21/191-199; 272/67, 68, 69, 122, 123, 134, 143

[56] References Cited

U.S. PATENT DOCUMENTS

3,384,370	5/1968	Bailey et al. ....	272/123
4,618,143	10/1986	Twardosz .....	272/123
4,629,184	12/1986	Selkee .....	272/123
4,690,400	9/1987	Metz .....	272/123
4,743,018	5/1988	Eckler .....	272/123

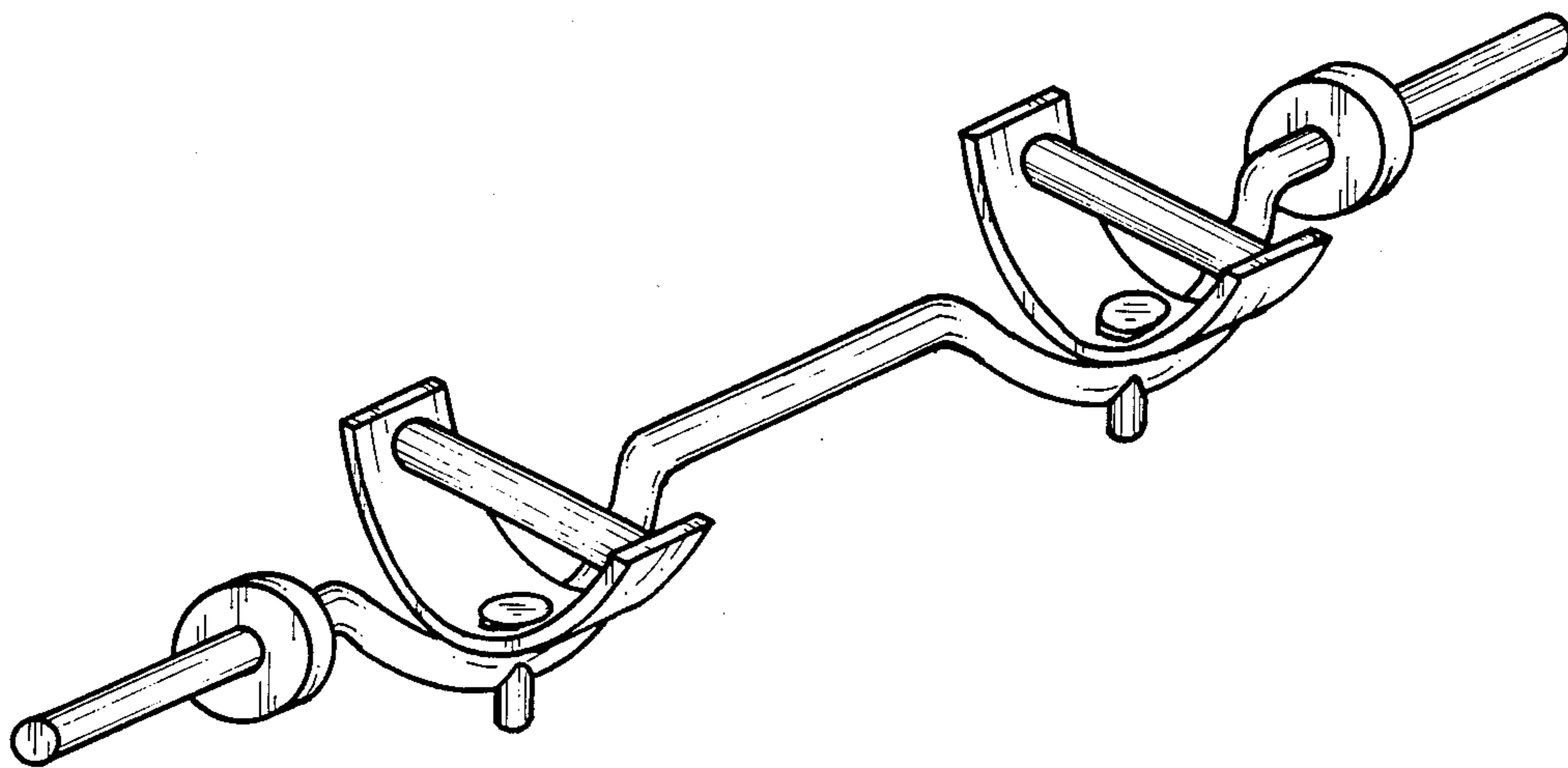
Primary Examiner—Charles A. Rademaker  
Attorney, Agent, or Firm—Stephen D. Carver

[57] CLAIM

The ornamental design for a weight lifting bar, as shown and described.

DESCRIPTION

FIG. 1 is a front perspective view of a weight lifting bar showing my new design;  
FIG. 2 is another front perspective view thereof with the handles in alternate positions;  
FIG. 3 is a front plan view thereof;  
FIG. 4 is a top plan view thereof;  
FIG. 5 is a bottom plan view thereof;  
FIG. 6 is a side perspective view thereof with the handles in alternate positions; and,  
FIG. 7 is a cross-sectional view thereof taken along line 7—7 in FIG. 3.



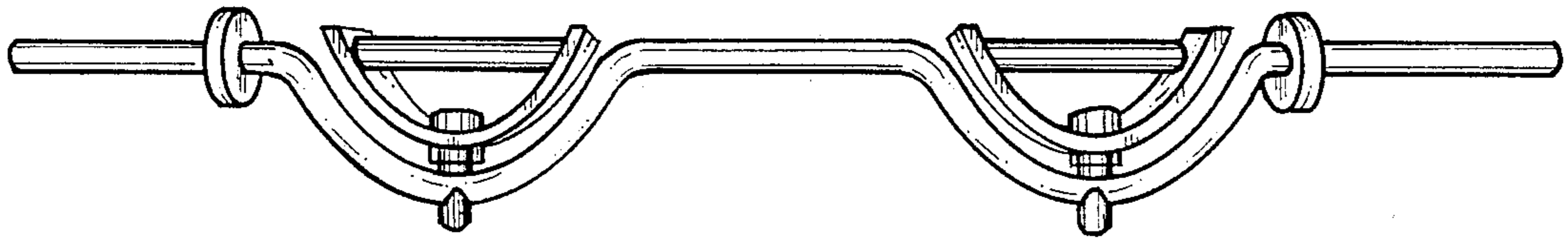


FIG. 1

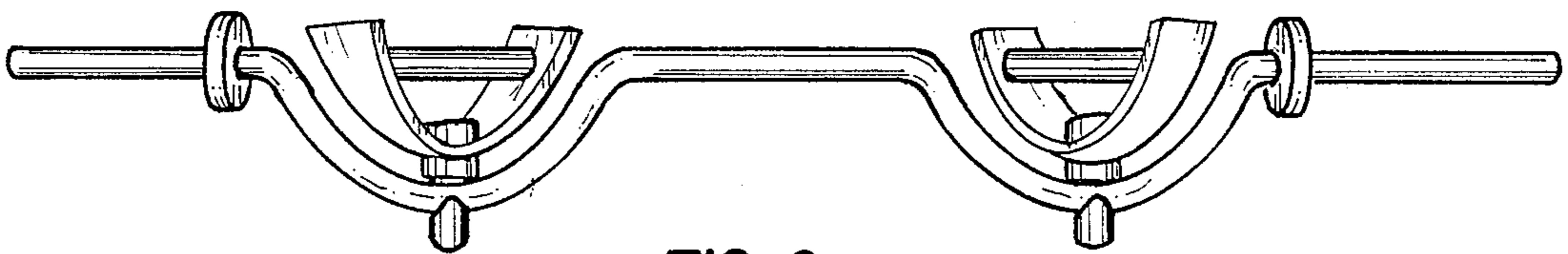


FIG. 2

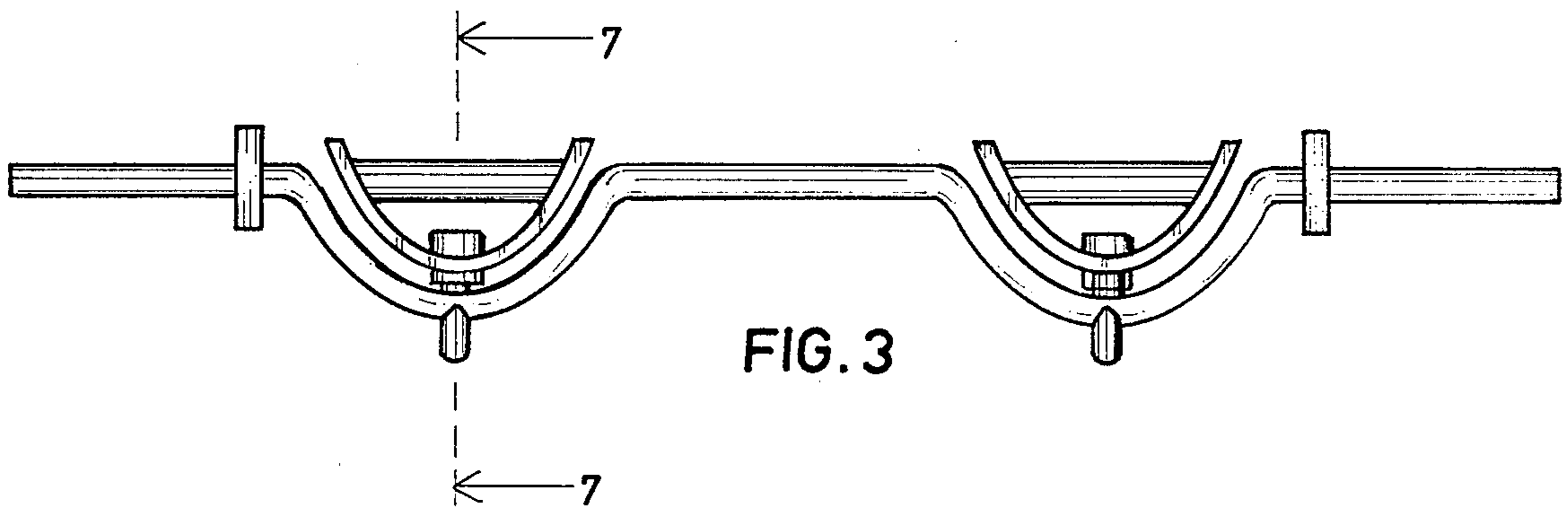


FIG. 3



FIG. 4

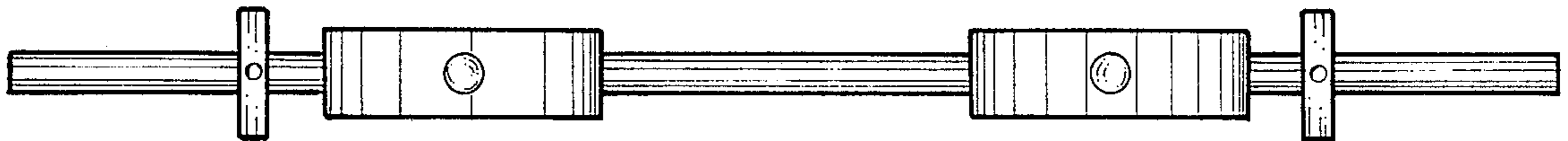


FIG. 5

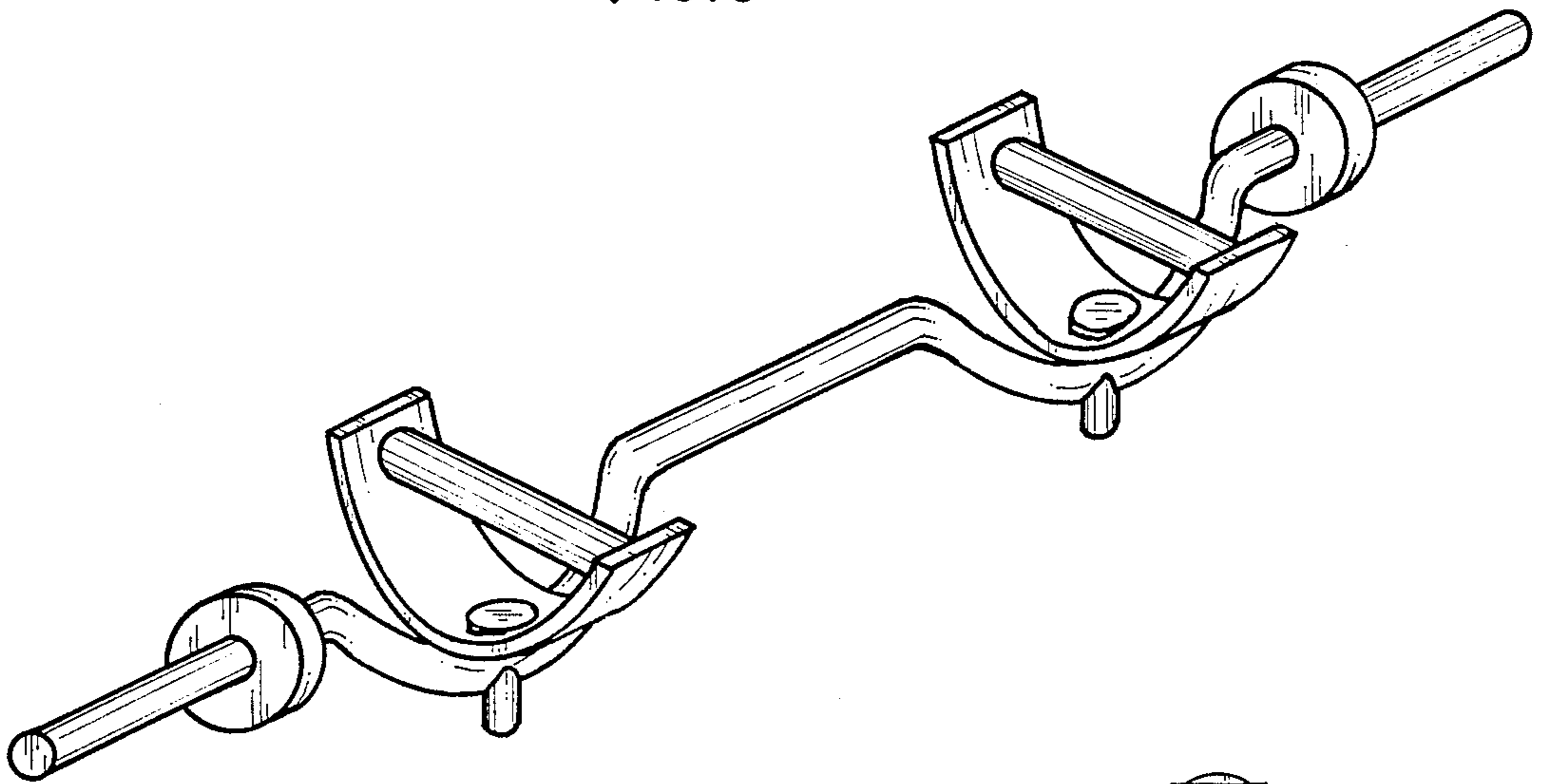


FIG. 6

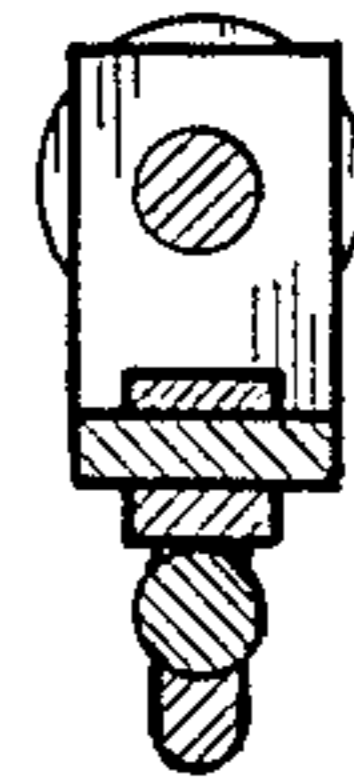


FIG. 7