

[54] LEG EXERCISE MACHINE

[75] Inventors: Robert B. Carlson; Frederick D. Wucherpfennig, both of Bloomington, Minn.

[73] Assignee: The Toro Company, Minneapolis, Minn.

[\*\*] Term: 14 Years

[21] Appl. No.: 41,578

[22] Filed: Apr. 23, 1987

[52] U.S. Cl. .... D21/195

[58] Field of Search ..... D21/191-197; 272/69, 118, 130, 129, 132, 133, 134

[56] References Cited

U.S. PATENT DOCUMENTS

D. 251,320	3/1979	Brentham	.....	D21/195
D. 263,978	4/1982	Brentham	.	
D. 271,603	11/1983	Berner	.....	D21/195
D. 284,780	7/1986	Brentham	.....	D21/195
D. 289,190	4/1987	Brentham	.....	D21/195
4,500,089	2/1985	Jones	.....	272/118

OTHER PUBLICATIONS

Nautilus Equipment Catalogue CM-130, p. 3.  
Hydra-Fitness Industries brochure entitled "Omnikinetics: 21st Century Conditioning . . . Today!", p. 5.

Universal Physical Conditioning Equipment 1984 Catalog, p. 21.

Paramount leaflet entitled "The Science of Conditioning".

Loredan Biomedical leaflet entitled "The LIDO 2.0 Rehabilitation System".

Biokinetic Fitness Laboratories leaflet entitled "The Biokinetic Knee Table".

Toro brochure entitled "What would rehab and . . . hydraulic cylinders?".

Primary Examiner—Charles A. Rademaker

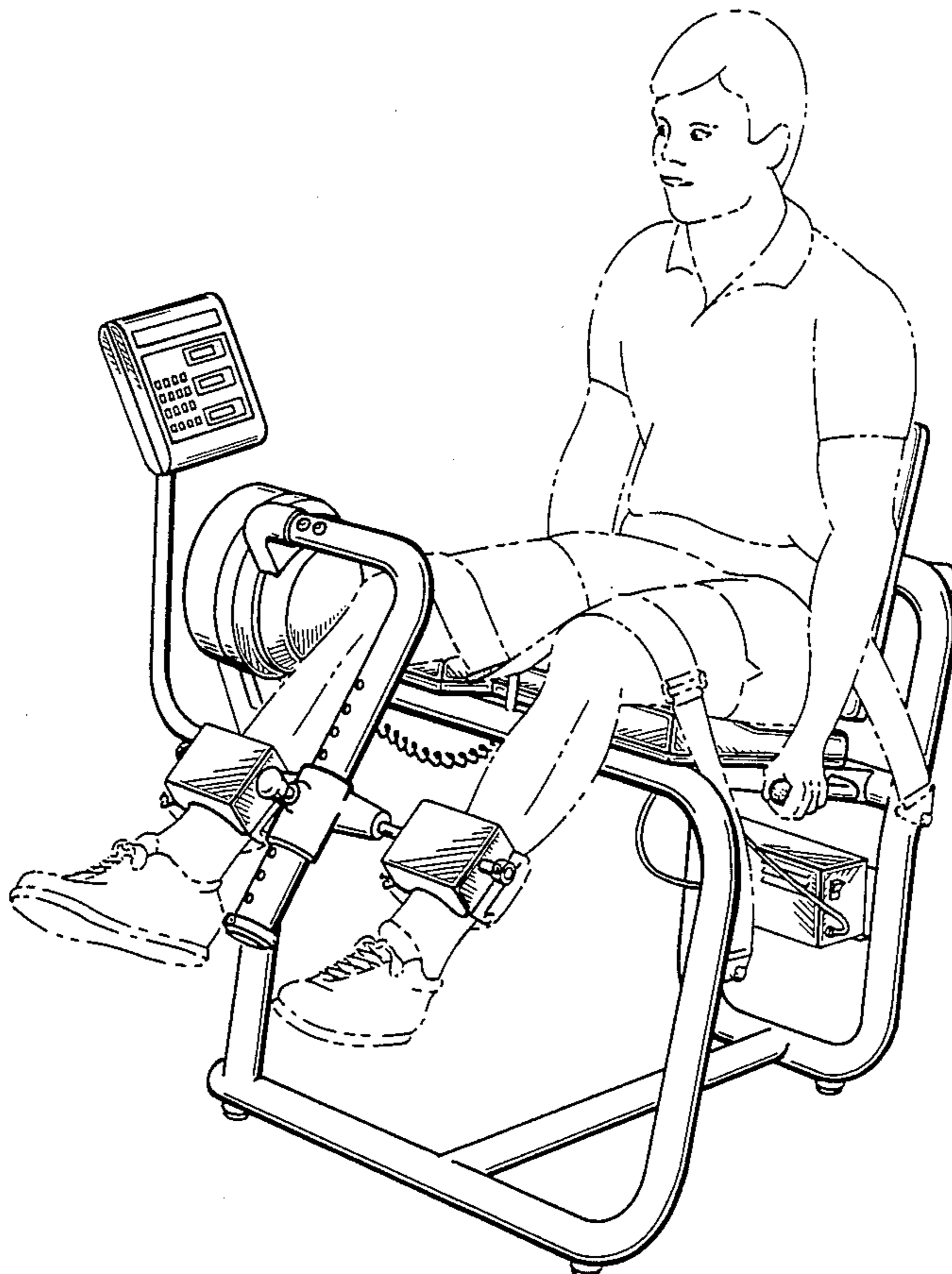
Attorney, Agent, or Firm—R. Lawrence Buckley

[57] CLAIM

The ornamental design for a leg exercise machine, as shown and described.

DESCRIPTION

FIG. 1 is a front perspective view of a leg exercise machine showing my new design; FIG. 2 is a left side elevational view thereof; FIG. 3 is a bottom plan view thereof; FIG. 4 is a right side elevational view thereof; FIG. 5 is a top plan view thereof; FIG. 6 is a front elevational view thereof; and FIG. 7 is a rear elevational view thereof. The broken line showing of a belted human figure in FIG. 1 is for illustrative purposes only and forms no part of the claimed design.



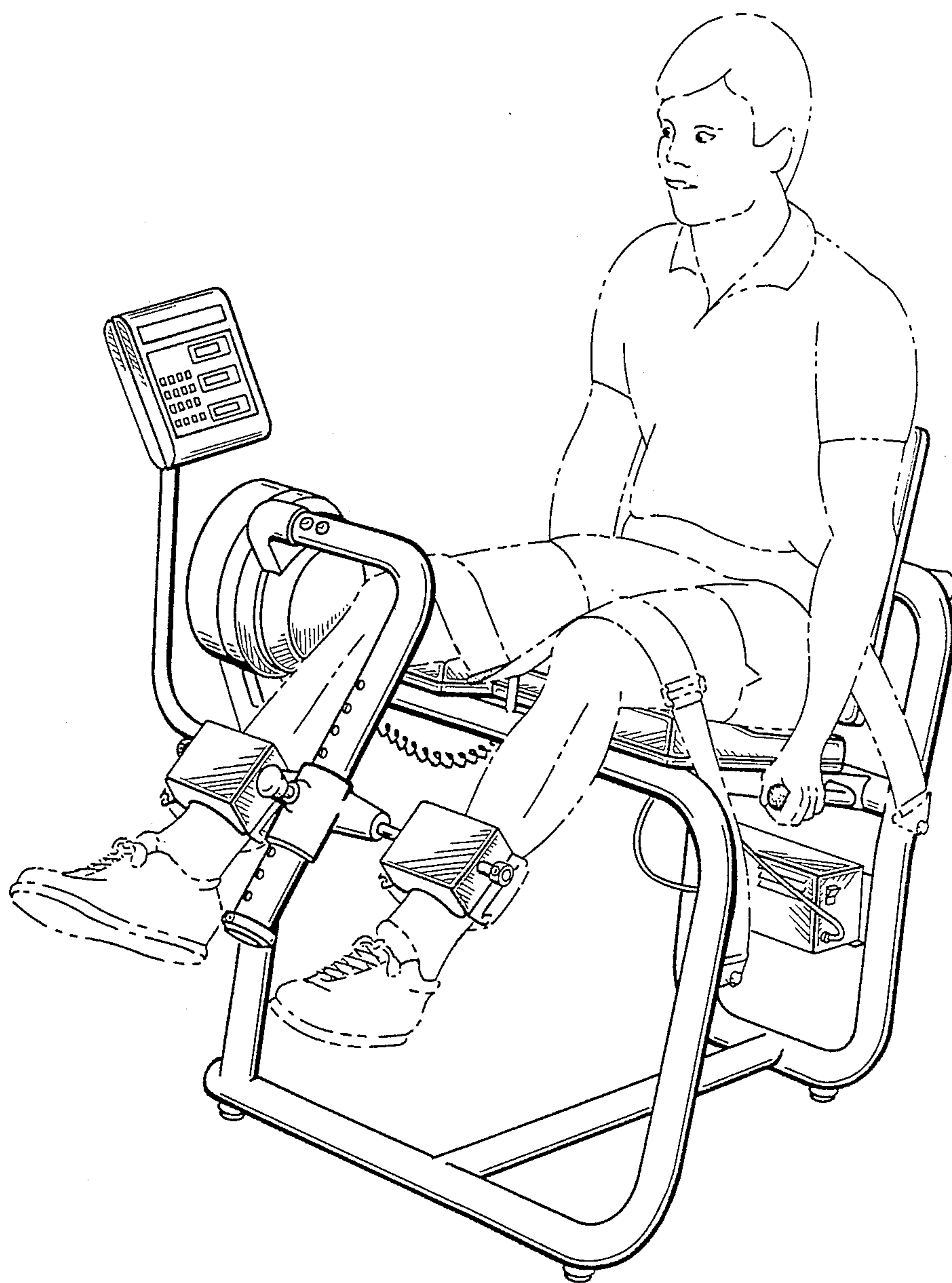


FIG. 1

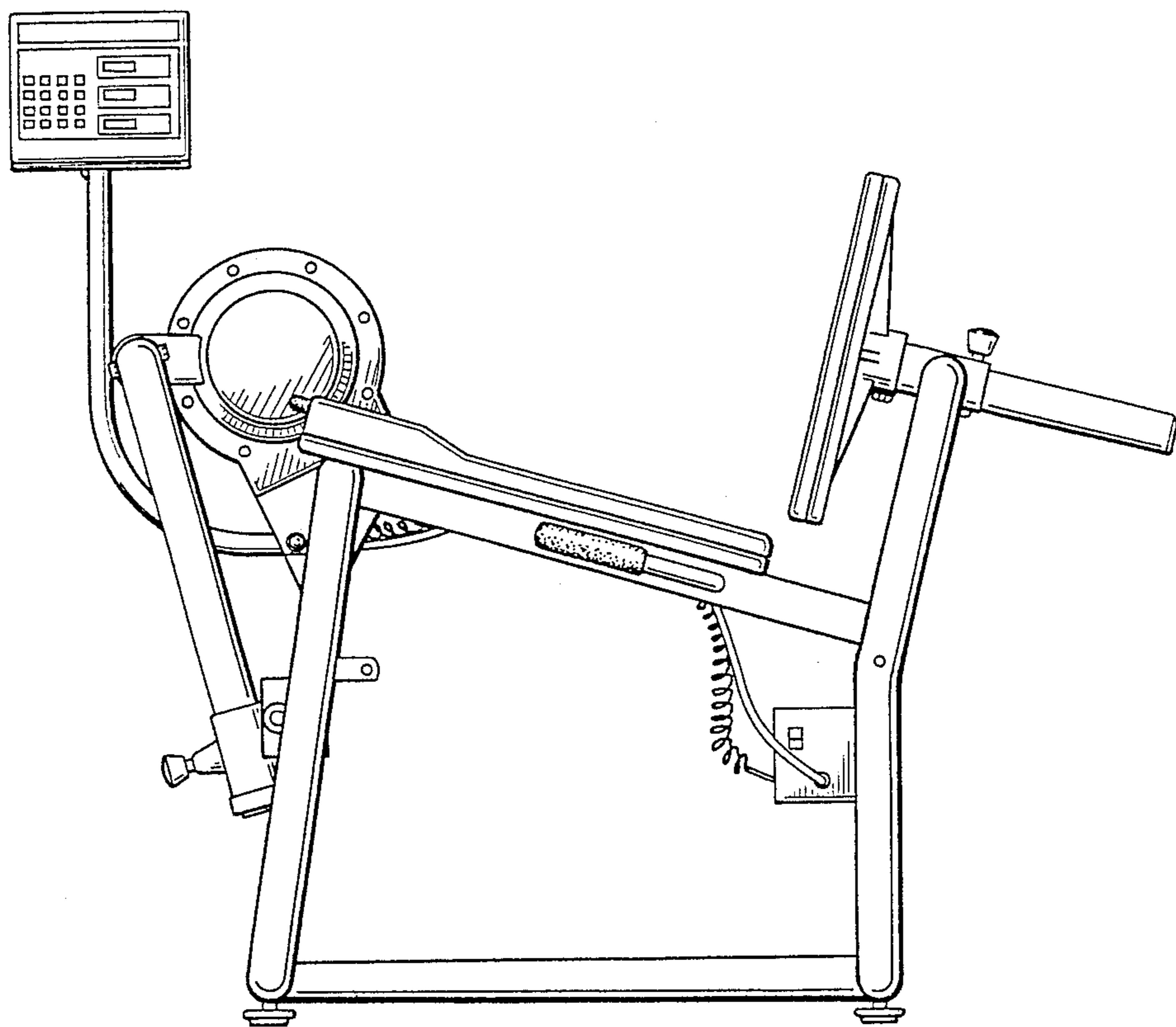


FIG. 2

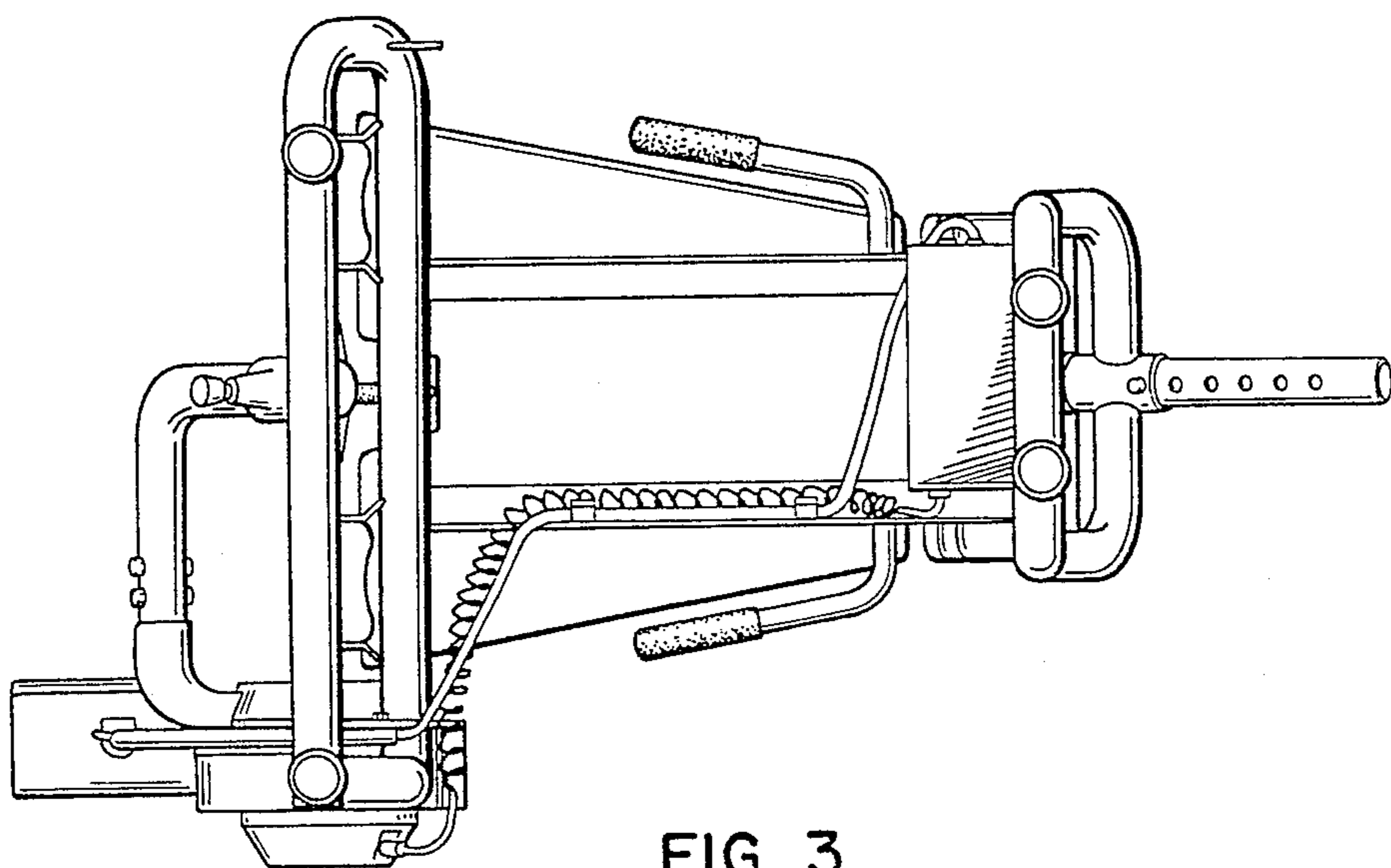


FIG. 3

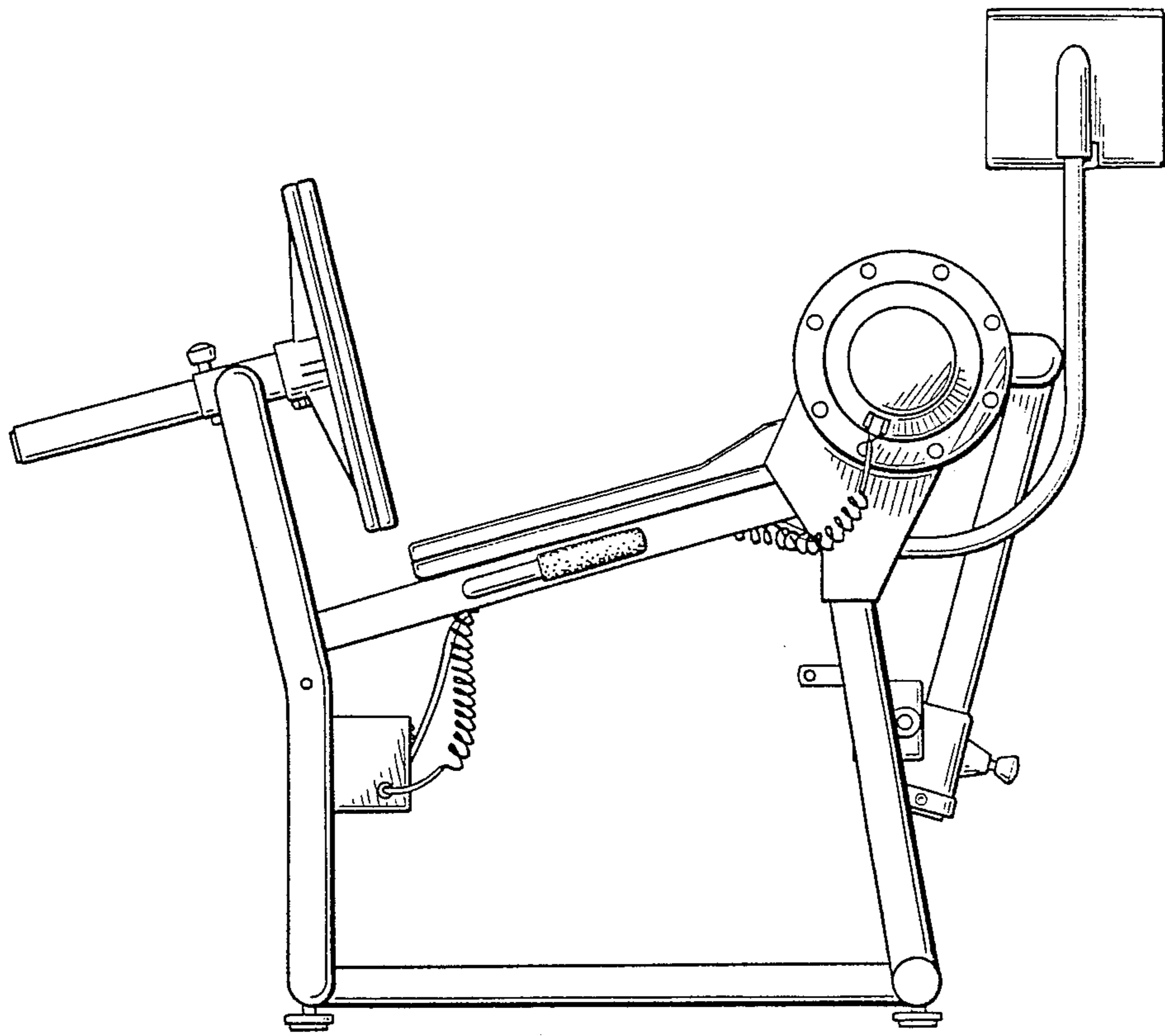


FIG. 4

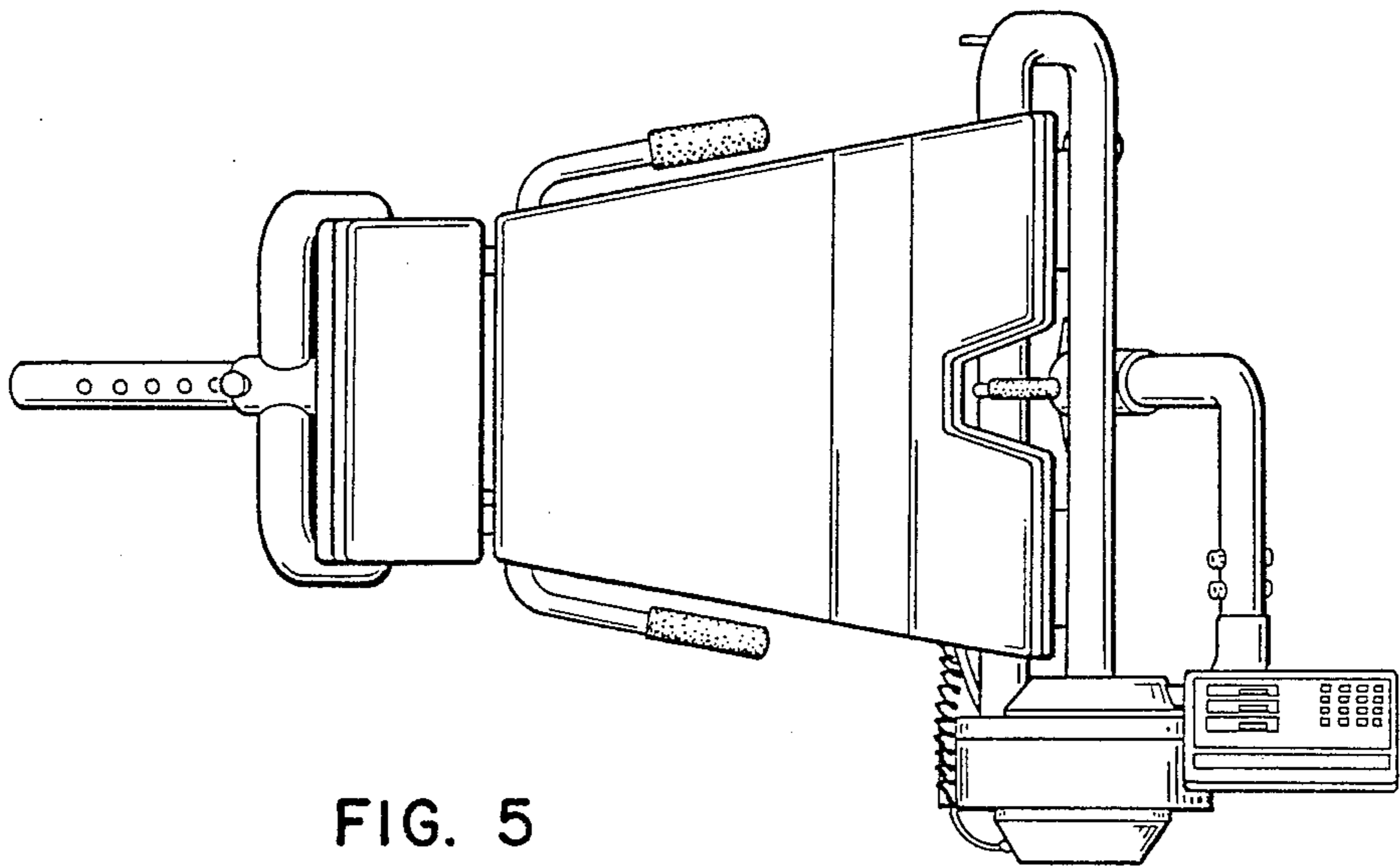


FIG. 5

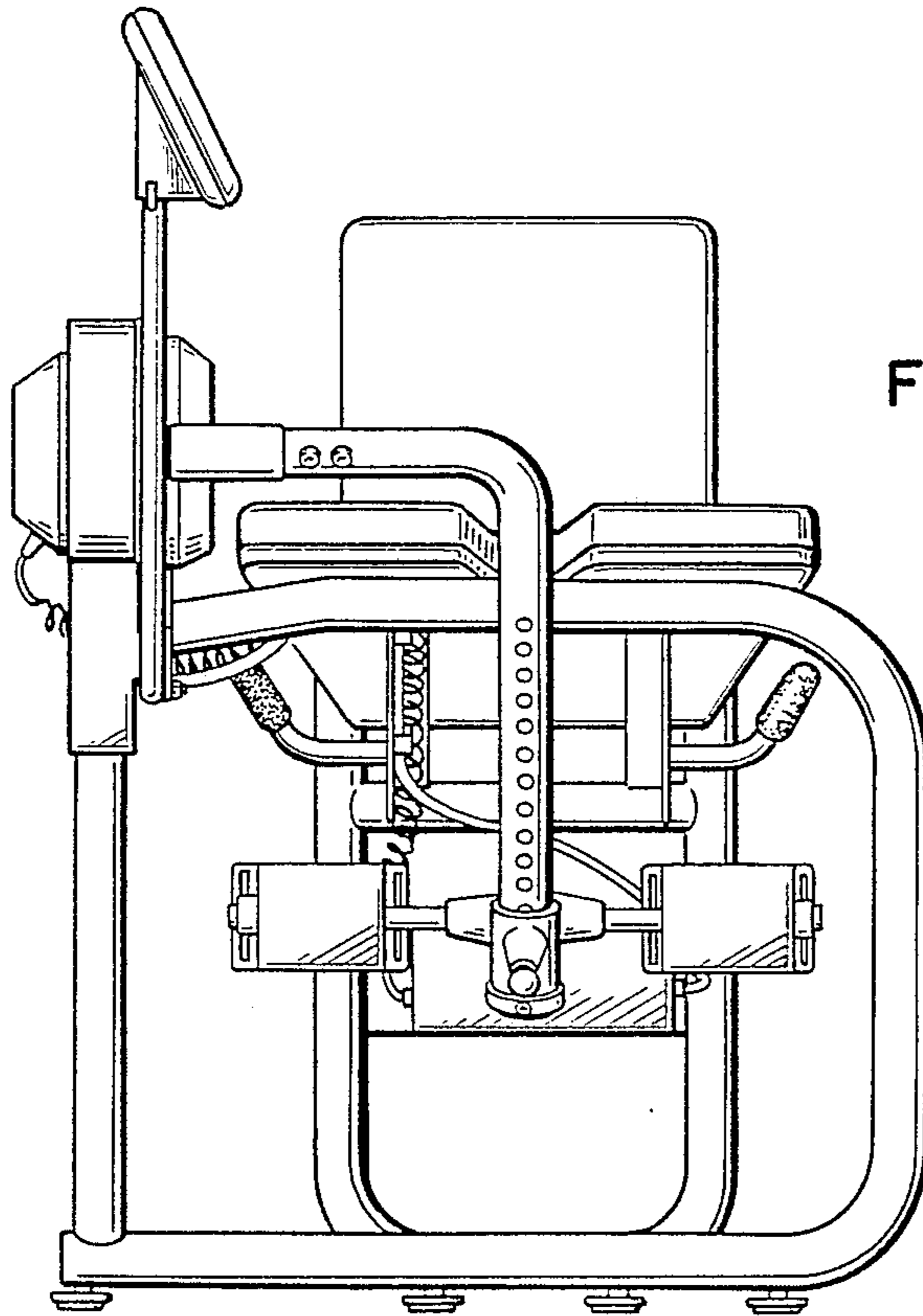


FIG. 6

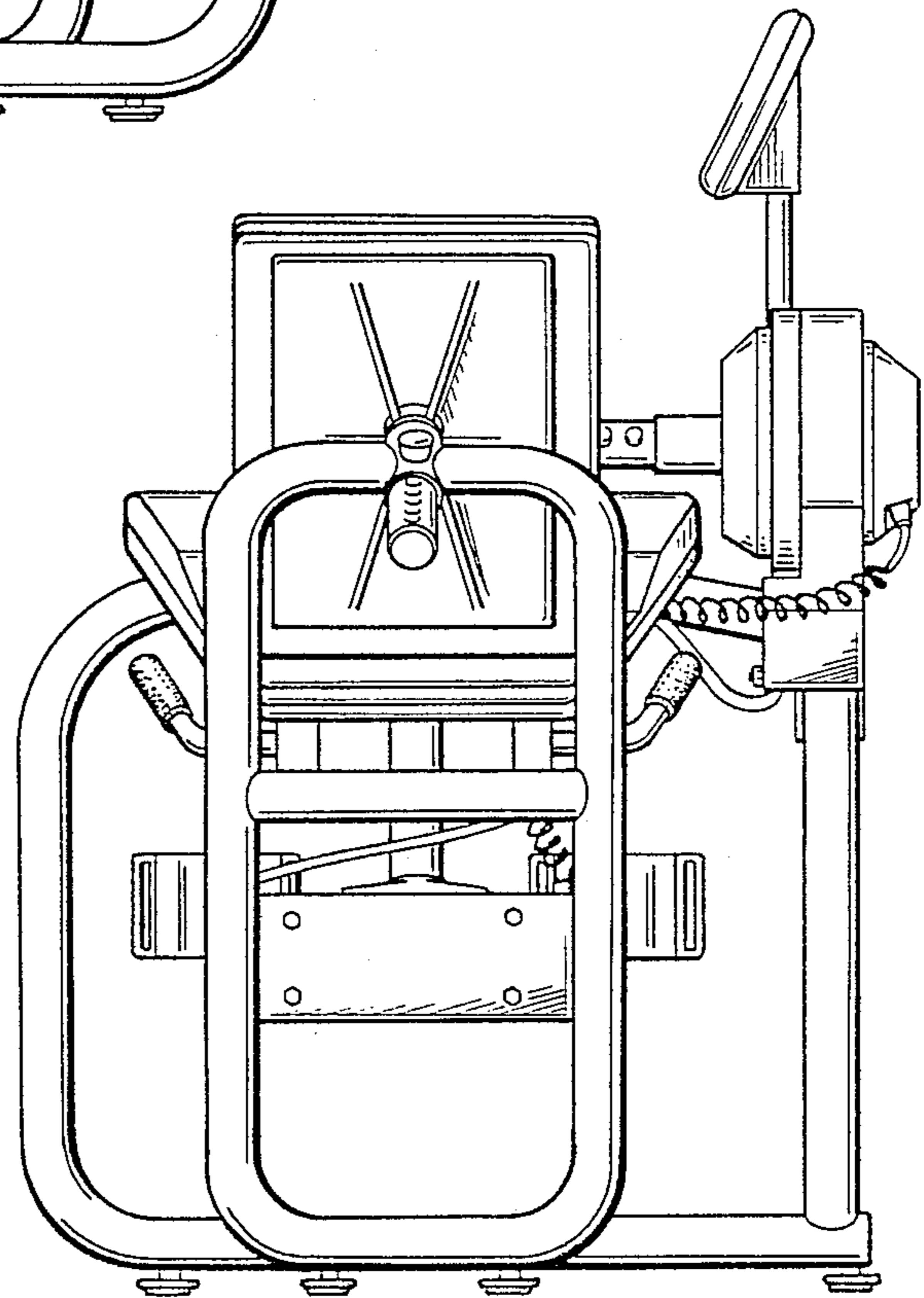


FIG. 7