

[54] **SKIING EXERCISER OR SIMILAR ARTICLE**

[75] **Inventors: David B. Smith, Bellevue; Larry J. Graf, Snohoish; Randolph F. Miller, Mount Vernon, all of Wash.**

[73] **Assignee: Precor Incorporated, Bothell, Wash.**

[**] **Term: 14 Years**

[21] **Appl. No.: 980**

[22] **Filed: Jan. 5, 1987**

Related U.S. Application Data

[63] **Continuation-in-part of Ser. No. 915,645, Oct. 9, 1986, Pat. No. D. 299,369.**

[52] **U.S. Cl. D21/191**

[58] **Field of Search D21/191-199; 272/69, 70, 70.1, 70.2, 70.3, 72, 73, 135, 124**

[56] **References Cited**

U.S. PATENT DOCUMENTS

2,274,081	2/1942	Mautin	272/57
2,772,881	12/1956	Fundom	D21/192
3,408,067	10/1968	Armstrong	272/16
3,455,550	7/1969	Hall	272/57
3,475,021	10/1969	Ruegsegger	272/57
3,711,089	1/1973	Reinhard	272/57
3,711,090	1/1973	Fiedler	272/69
3,941,377	3/1976	Lie	272/57
4,023,795	5/1977	Pauls	272/97
4,423,864	1/1984	Wiik	272/97
4,434,981	3/1984	Norton	272/97
4,496,147	1/1985	De Cloux et al.	272/70

4,512,571	4/1985	Hermelin	272/126
4,529,194	7/1985	Haaheim	272/69
4,595,195	6/1986	Miehlich	272/97
4,709,918	12/1987	Grinblat	272/70
4,743,015	5/1988	Marshall	272/70

FOREIGN PATENT DOCUMENTS

338465	1/1934	Canada .
7003150	1/1970	Fed. Rep. of Germany .

OTHER PUBLICATIONS

Brochure entitled "NordicTrack Jarless Total Body Cardiovascular Exerciser", PSI-NordicTrack Company, Chaska, MN (1984).

Brochure entitled "FIT 1 for Those Who Demand the Best", Fit 1, Canton Ohio.

Brochure entitled "Fitness Master", Fitness Master, Inc., Chanhassen, MN (1985).

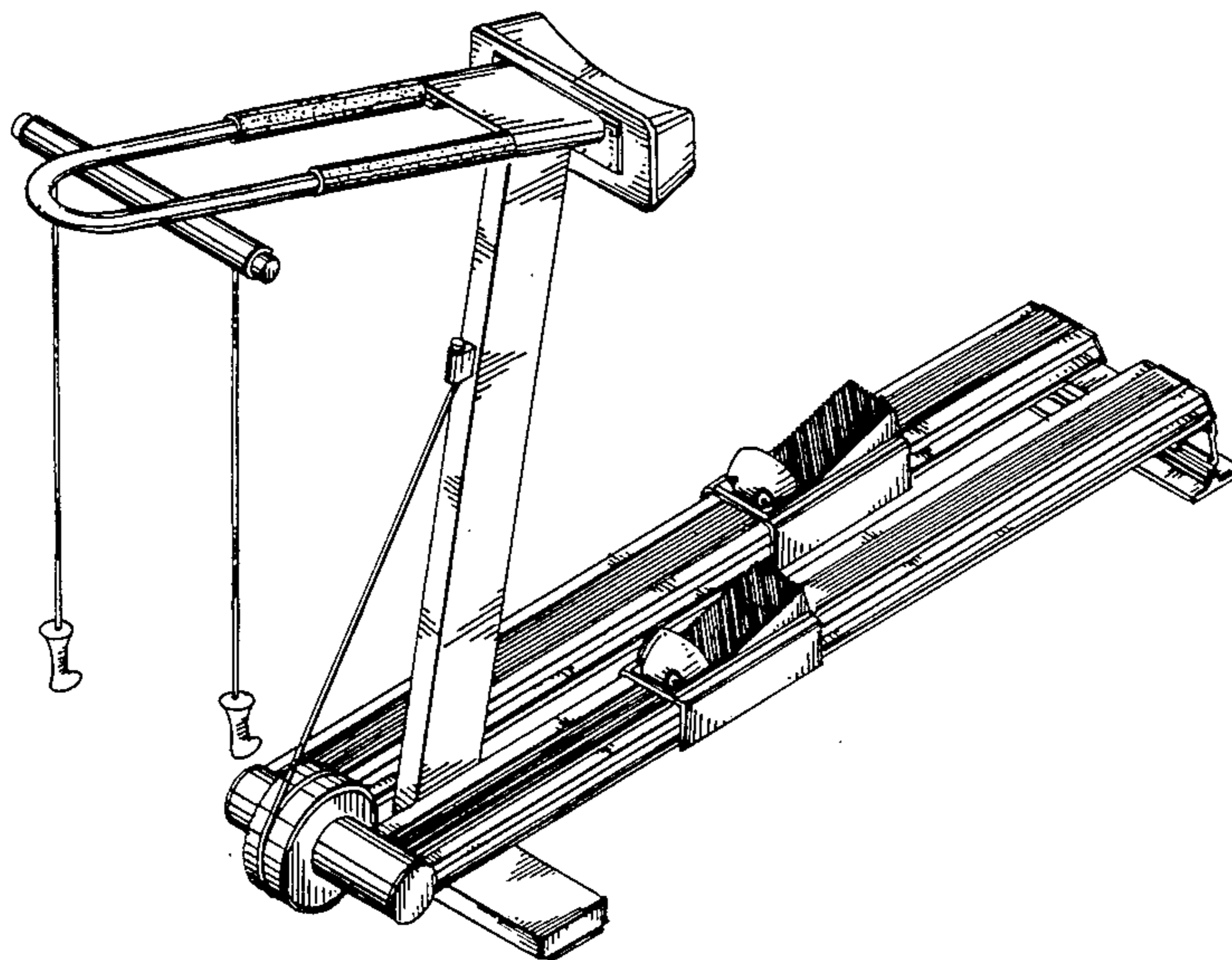
Primary Examiner—Charles A. Rademaker
Attorney, Agent, or Firm—Christensen, O'Connor, Johnson & Kindness

[57] **CLAIM**

The ornamental design for a skiing exerciser or similar article, as shown and described.

DESCRIPTION

FIG. 1 is a front perspective view of a skiing exerciser or similar article showing our new design; FIG. 2 is a side elevational view thereof; FIG. 3 is a top plan view thereof; FIG. 4 is a bottom view thereof; FIG. 5 is a front elevational view thereof; and, FIG. 6 is a rear elevational view thereof.



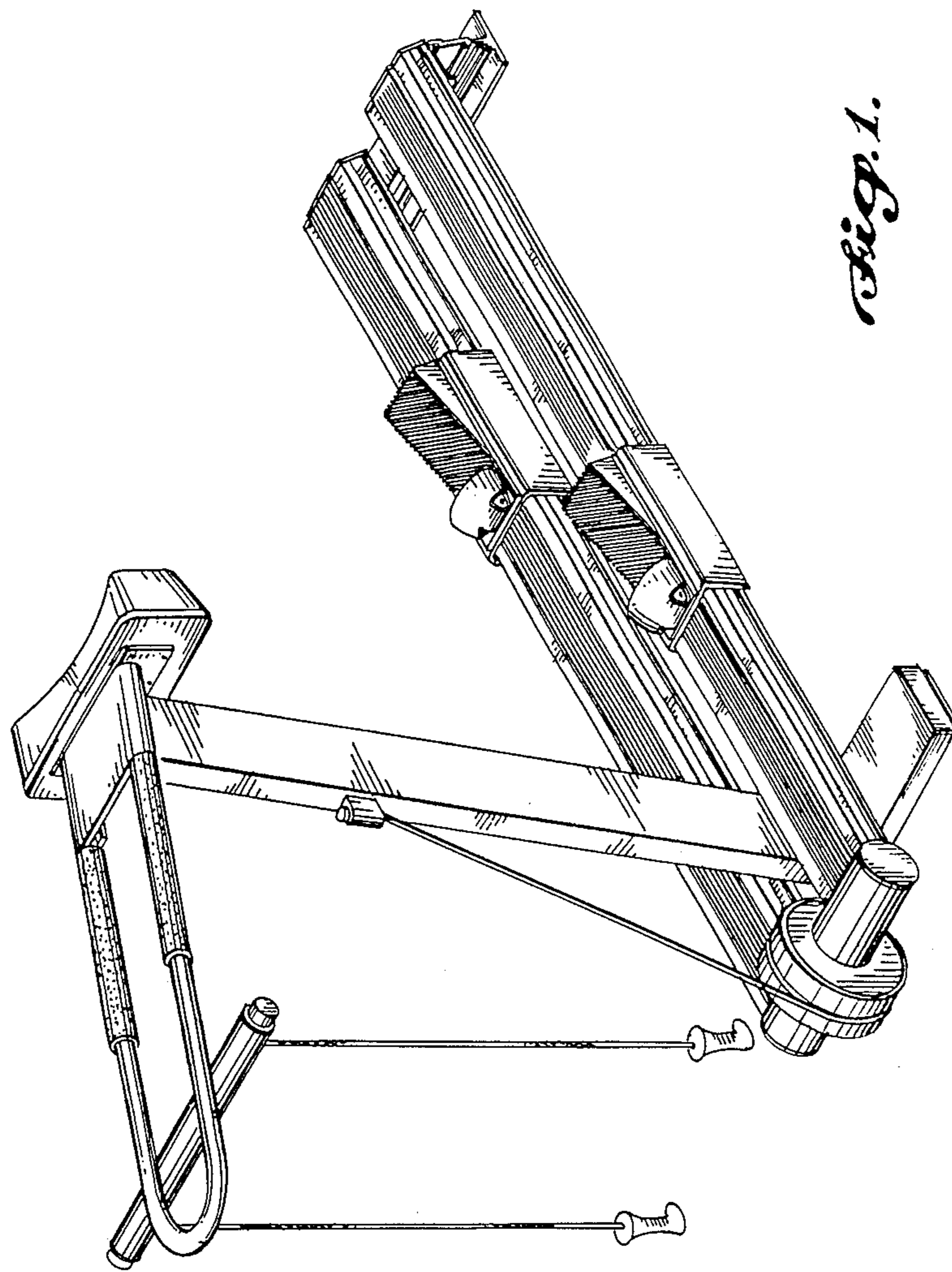


Fig. 1.

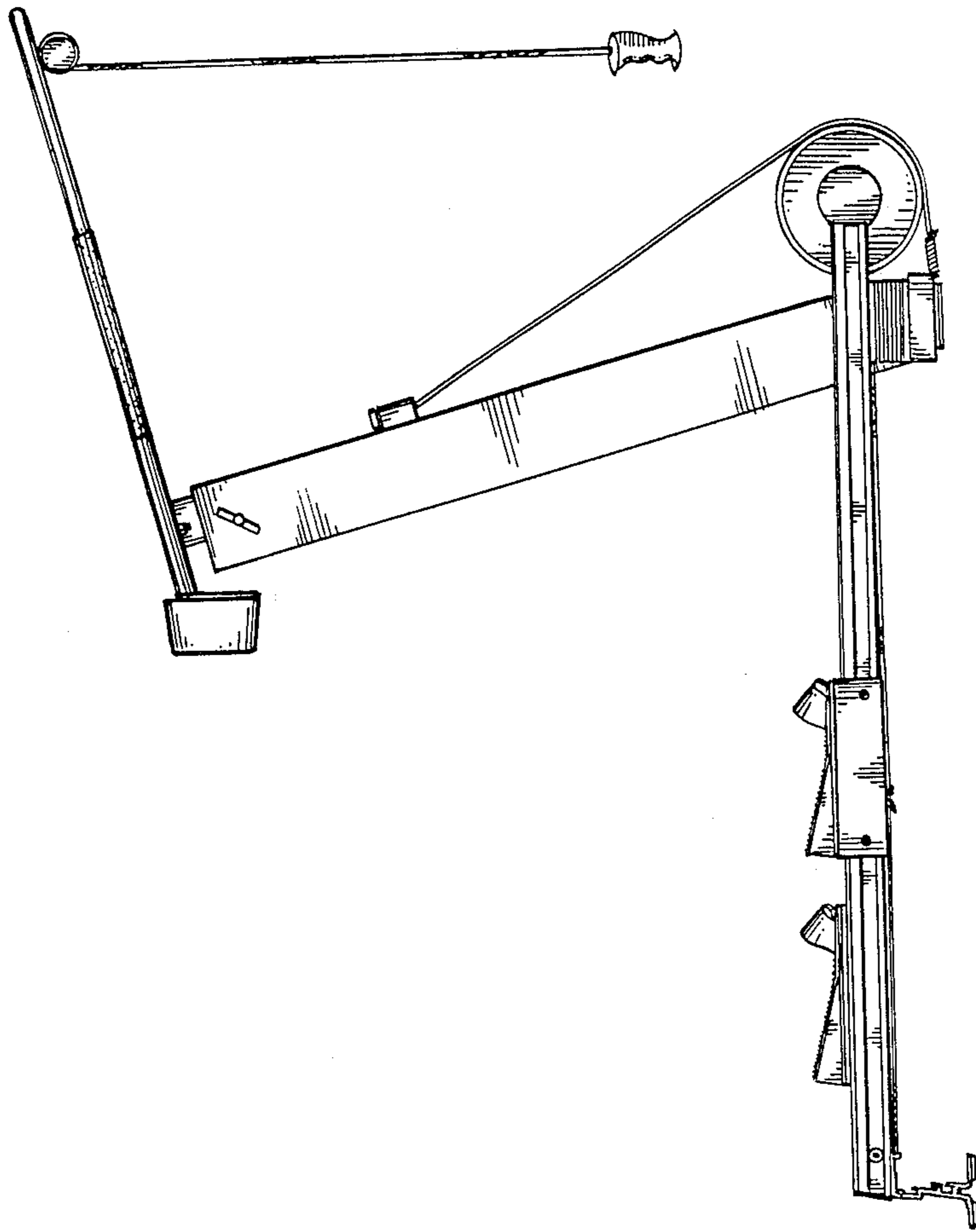


Fig. 2.

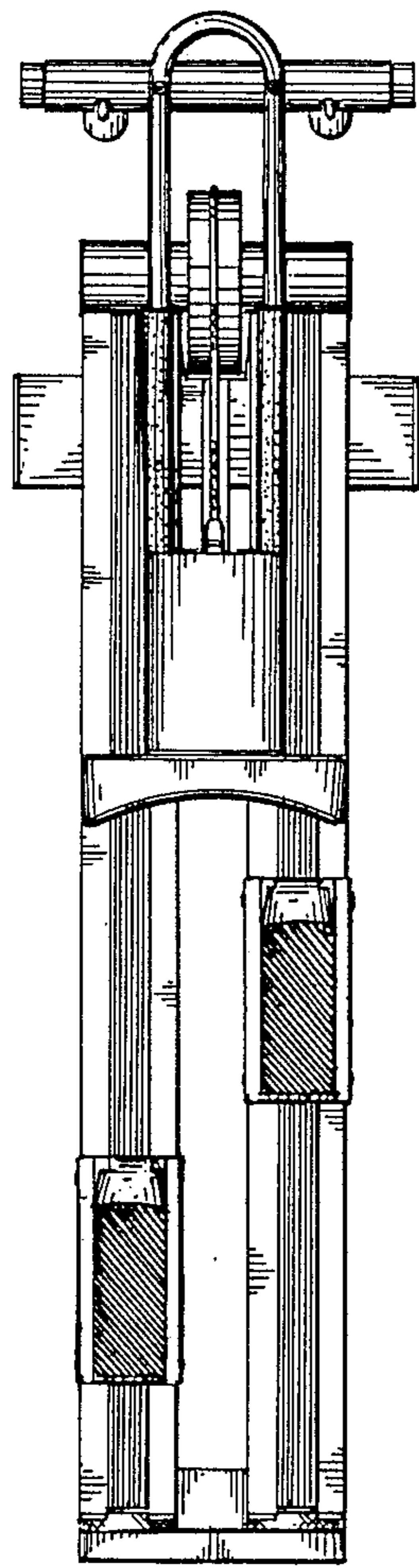


Fig. 3.

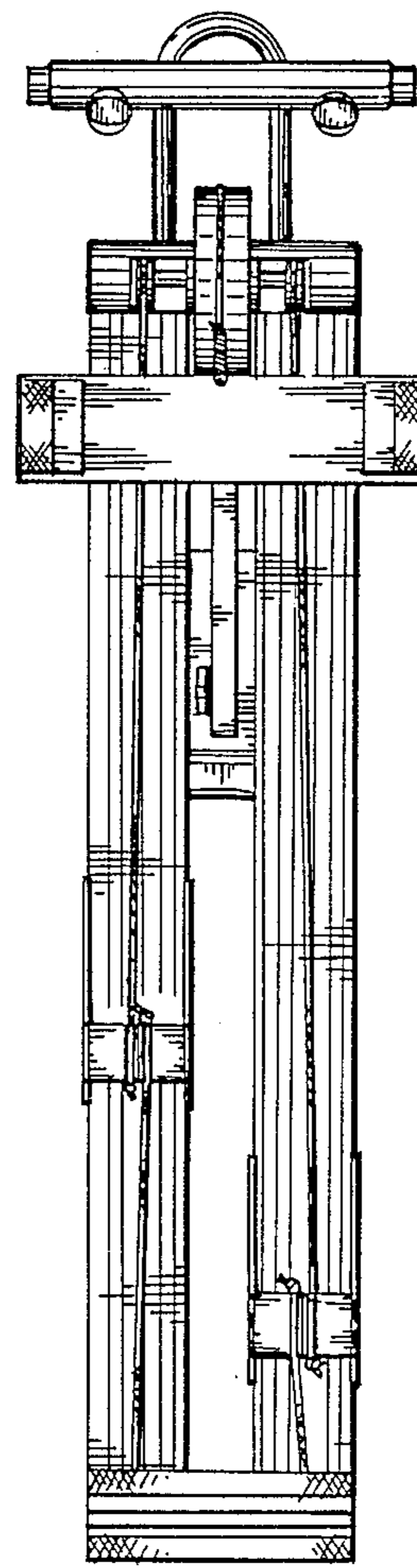


Fig. 4.

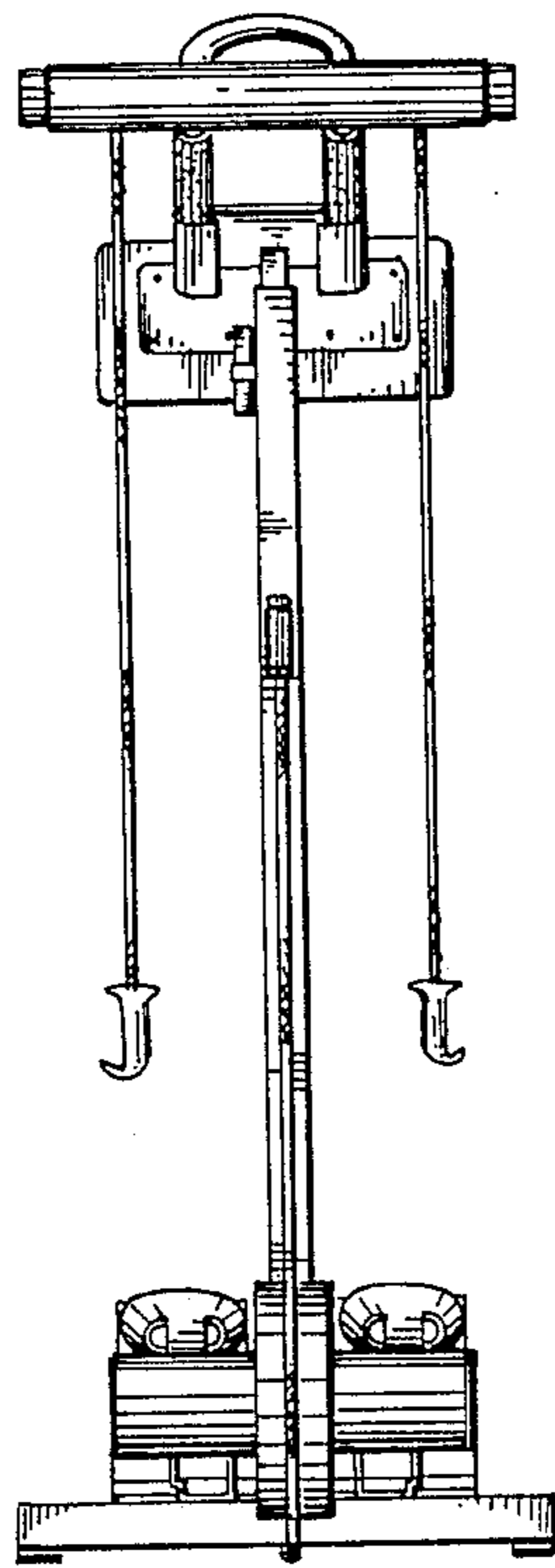


Fig. 5.

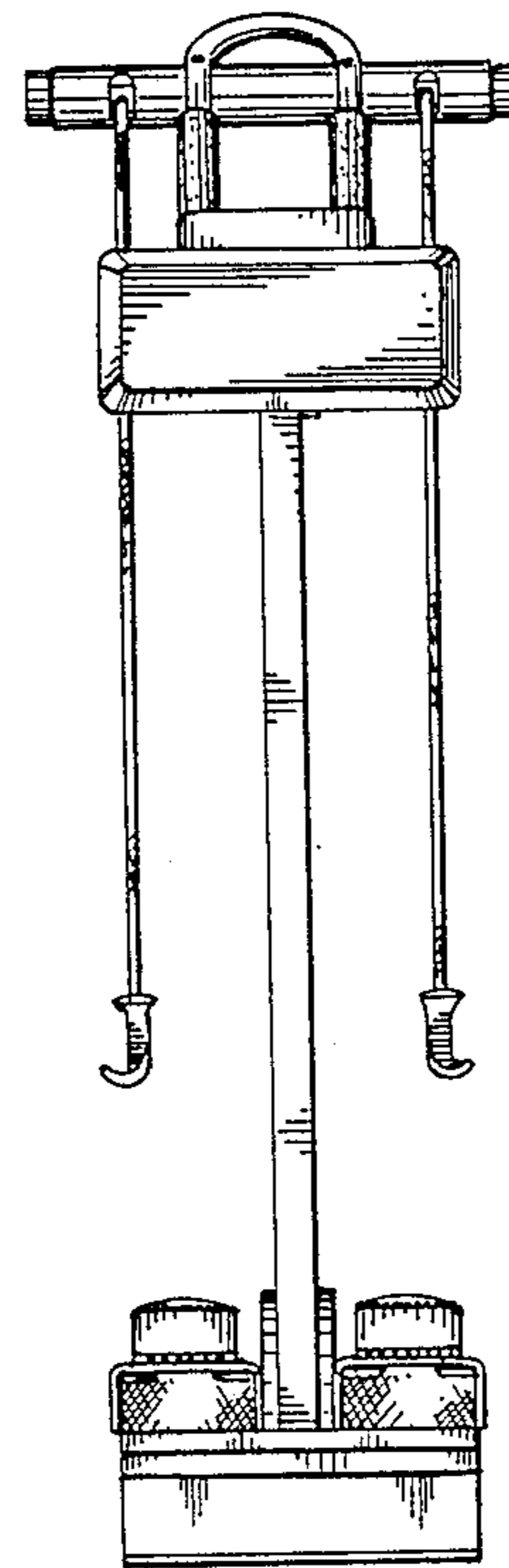


Fig. 6.