

[54] **TOY CONSTRUCTION BLOCK**

[75] **Inventor: Vic Bertrand, Dollard des Ormeaux, Canada**

[73] **Assignee: The Ritvik Group Inc., Dorval, Canada**

[\*\*] **Term: 14 Years**

[21] **Appl. No.: 99,998**

[22] **Filed: Sep. 23, 1987**

[30] **Foreign Application Priority Data**

May 6, 1987 [CA] Canada ..... 06-05-87-9

[52] **U.S. Cl. .... D21/108**

[58] **Field of Search .... D21/108, 114, 115, 116, D21/117, 118, 119, 124, 141, 138; D25/102, 113, 118; 446/85, 102, 103, 104, 107, 108, 109, 110, 111, 112, 113, 114, 115, 116, 117, 120, 121, 122, 124, 125, 127, 128**

[56] **References Cited**

**U.S. PATENT DOCUMENTS**

1,089,499 3/1914 Rockwell ..... 446/108  
2,861,388 11/1958 Fovoretto ..... D21/108  
4,606,732 8/1986 Lyman ..... 446/104

**FOREIGN PATENT DOCUMENTS**

1107140 5/1961 Fed. Rep. of Germany ..... 446/113  
8200595 3/1982 Fed. Rep. of Germany ..... 446/128

*Primary Examiner*—Charles A. Rademaker  
*Assistant Examiner*—Alicia A. Farrell  
*Attorney, Agent, or Firm*—Robic, Robic & Associates

[57] **CLAIM**

The ornamental design for a toy construction block, as shown and described.

**DESCRIPTION**

FIG. 1 is a perspective view of a toy construction block showing my new design;  
FIG. 2 is a rear elevational view thereof;  
FIG. 3 is a front elevational view thereof;  
FIG. 4 is a top plan view thereof;  
FIG. 5 is a side elevational view thereof, the side opposite being a mirror image; and  
FIG. 6 is a bottom plan view thereof.

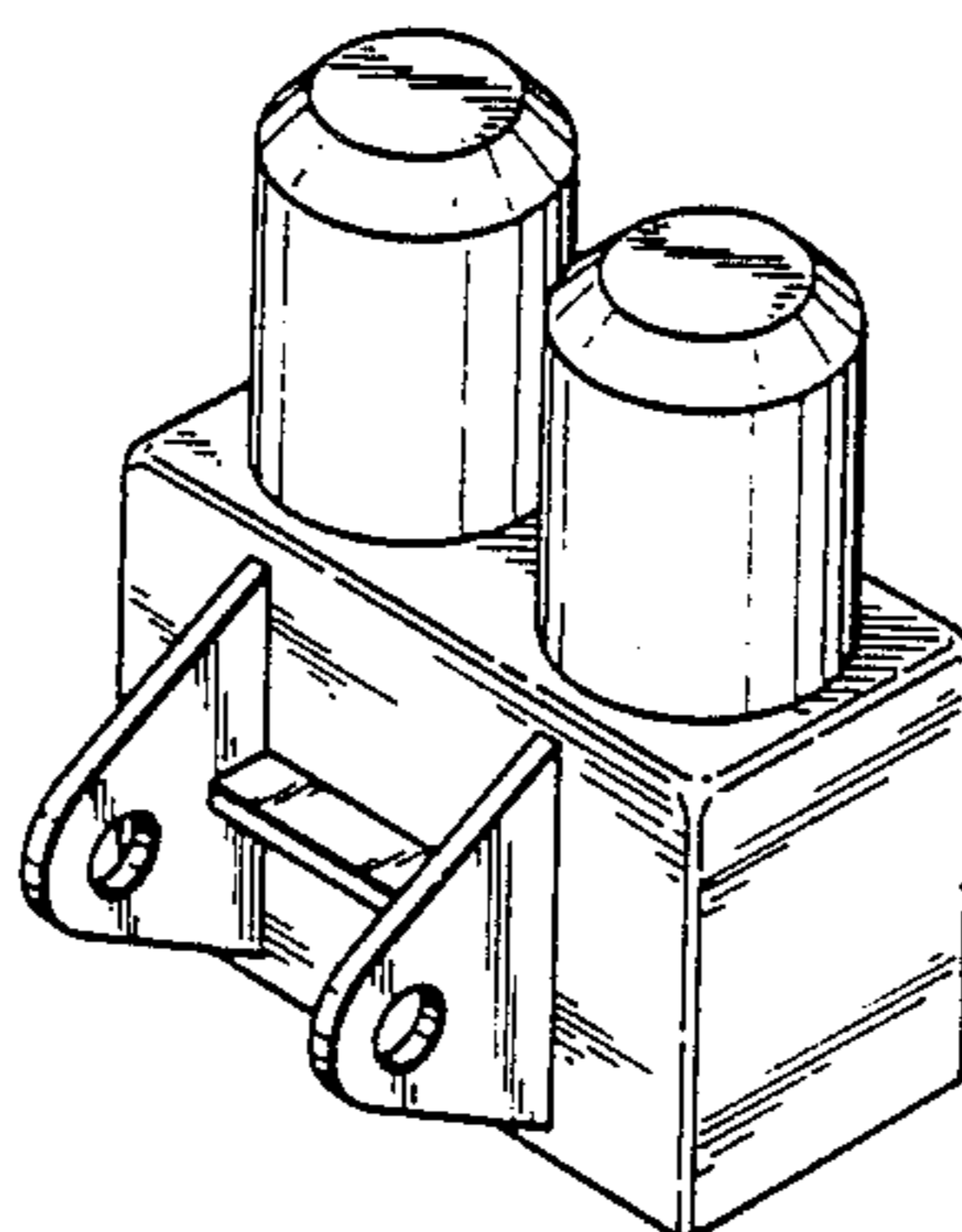


Fig. 1

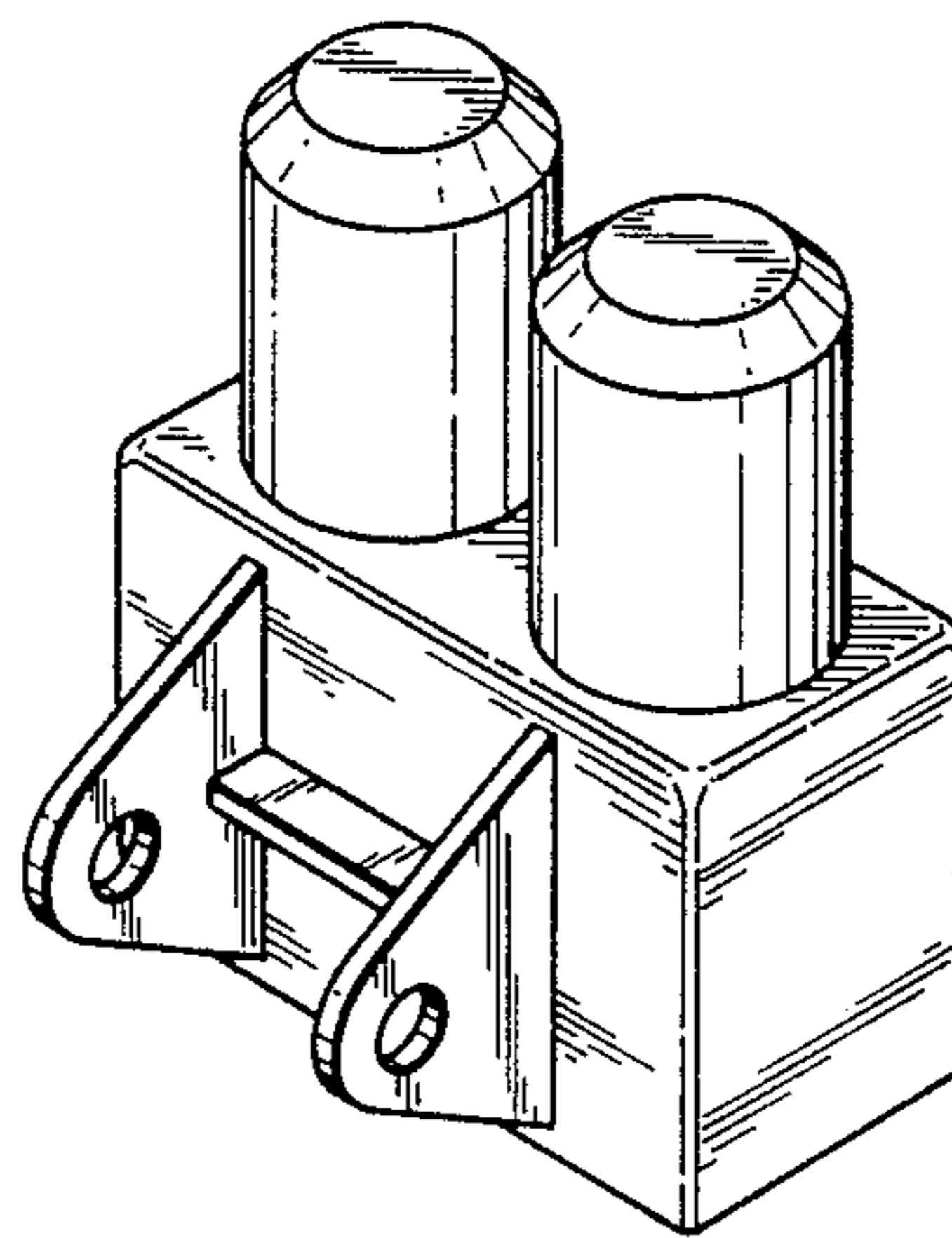


Fig. 4

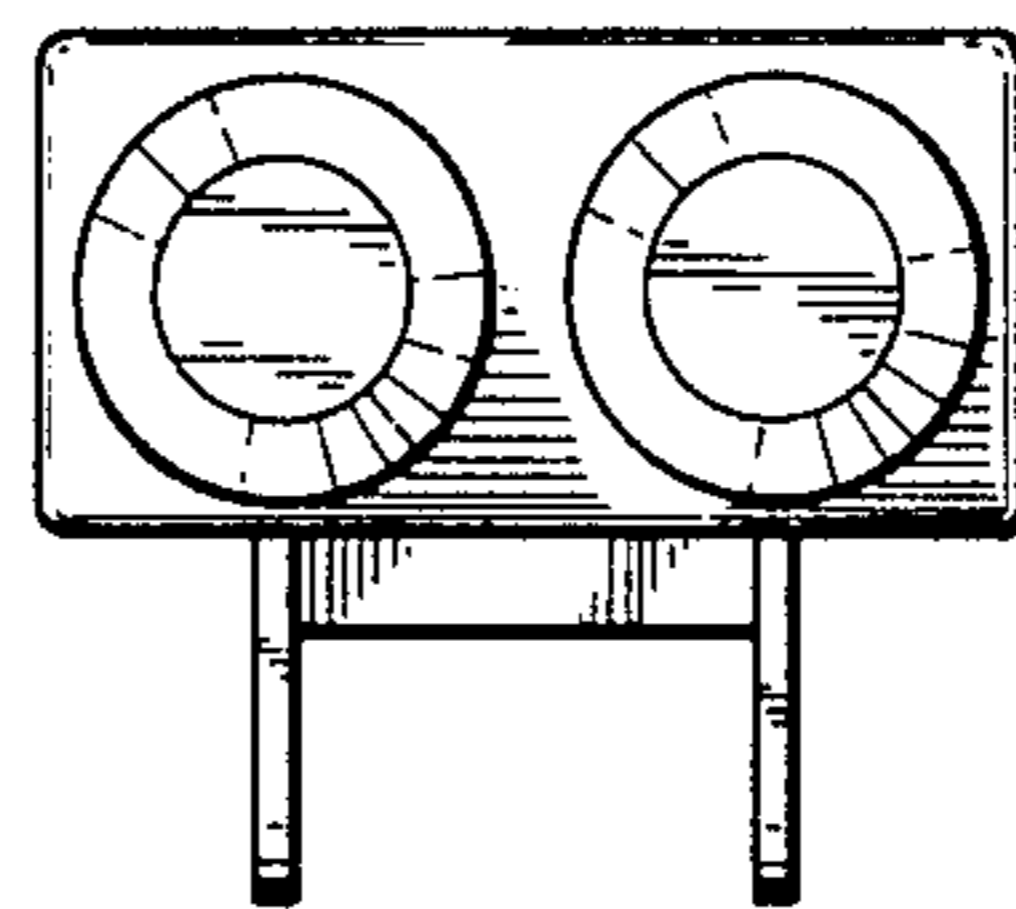


Fig. 3

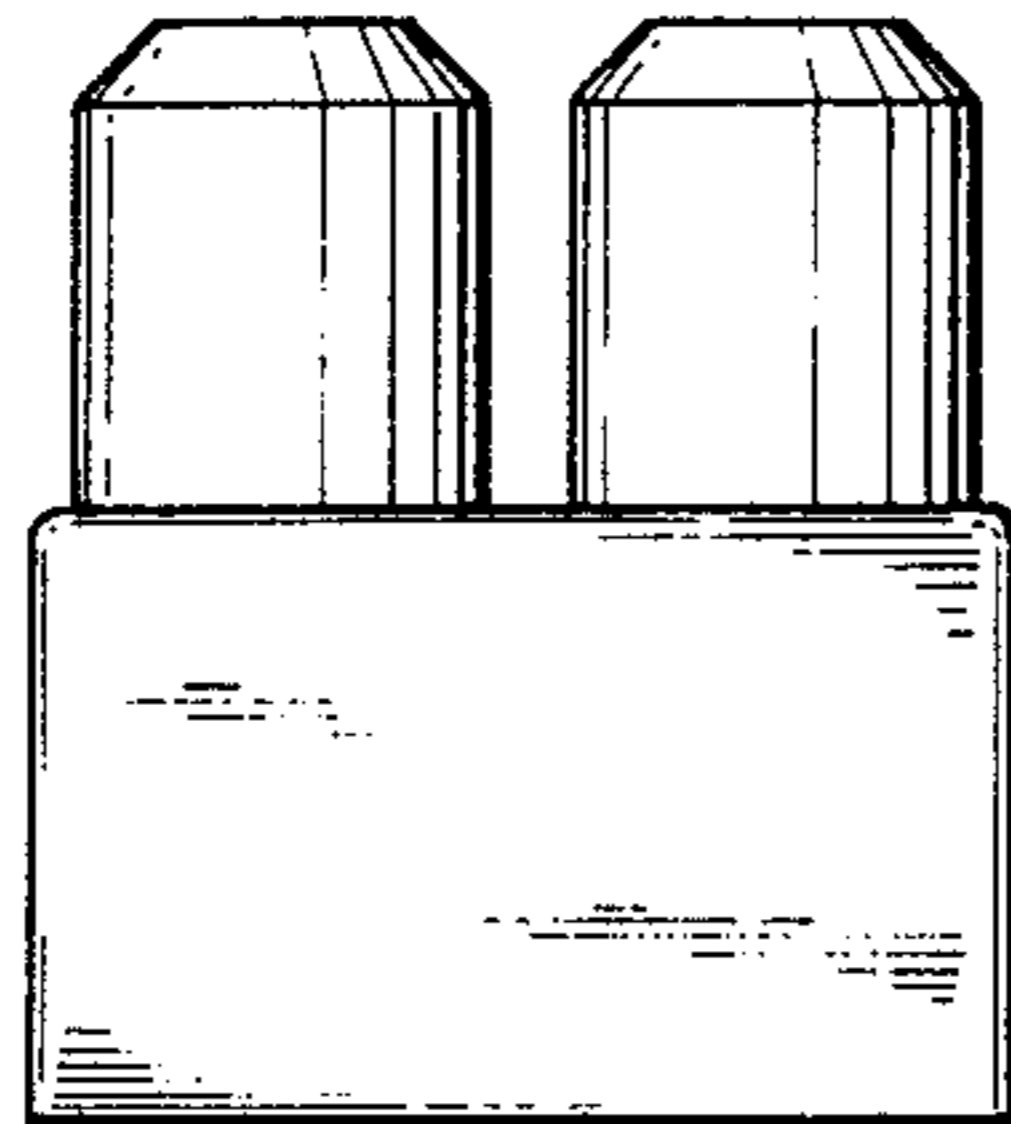


Fig. 2

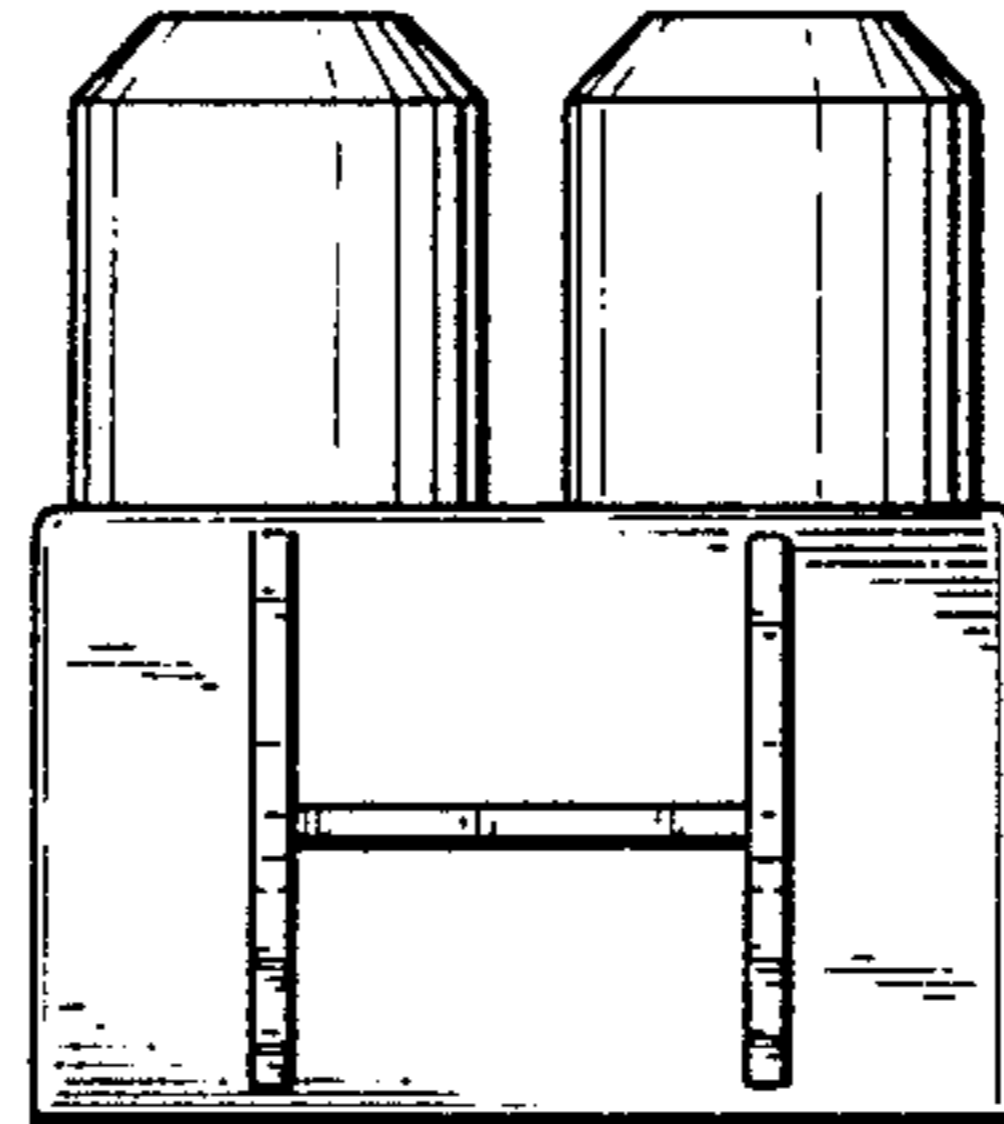


Fig. 5

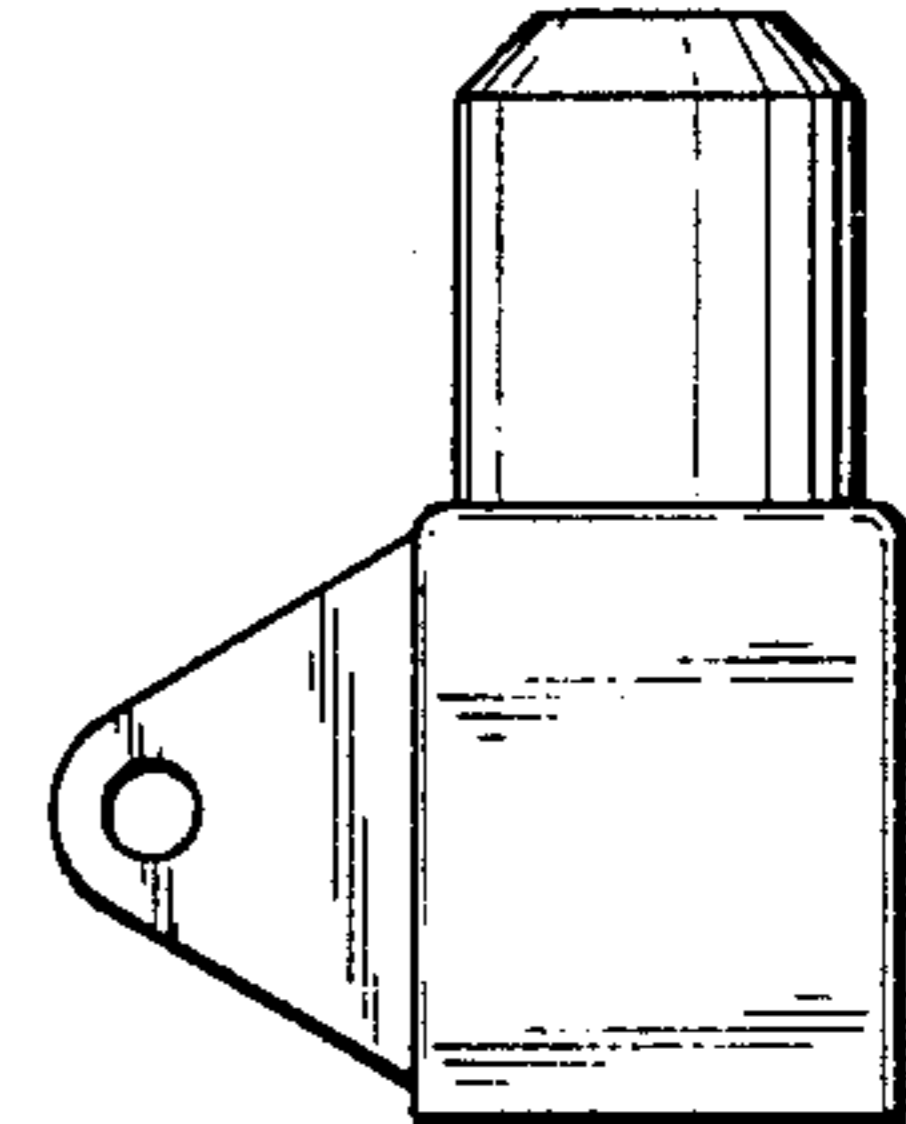


Fig. 6

