

[54] **ELEMENT FOR A TOY AIRCRAFT**
[75] **Inventor: Ole V. Poulsen, Vejle, Denmark**
[73] **Assignee: Interlego A.G., Baar, Switzerland**
[**] **Term: 14 Years**
[21] **Appl. No.: 128,487**
[22] **Filed: Dec. 2, 1987**
[52] **U.S. Cl. D21/91; D21/108**
[58] **Field of Search D12/319, 320, 323, 325;
D21/82, 84, 85, 86, 87, 90, 91, 108, 150; 446/36,
85, 88, 93, 94, 108, 116, 118, 120, 220, 225, 230,
231, 232**

D. 295,641 5/1988 Dideriksen D21/108

Primary Examiner—Charles A. Rademaker
Assistant Examiner—Alicia A. Farrell
Attorney, Agent, or Firm—Kane, Dalsimer, Sullivan,
Kurucz, Levy, Eisele and Richard

[57] **CLAIM**

The ornamental design for element for a toy aircraft, as shown and described.

DESCRIPTION

FIG. 1 is a top perspective view of an element for a toy aircraft showing my new design;
FIG. 2 is a bottom perspective view thereof;
FIG. 3 is a top plan view thereof;
FIG. 4 is a rear elevational view thereof;
FIG. 5 is a side elevational view thereof, the side opposite being a mirror image;
FIG. 6 is a front elevational view thereof; and
FIG. 7 is a bottom plan view thereof.

[56] **References Cited**
U.S. PATENT DOCUMENTS

D. 285,100 8/1986 Volpe D21/108
D. 291,100 7/1987 Knudsen D21/108

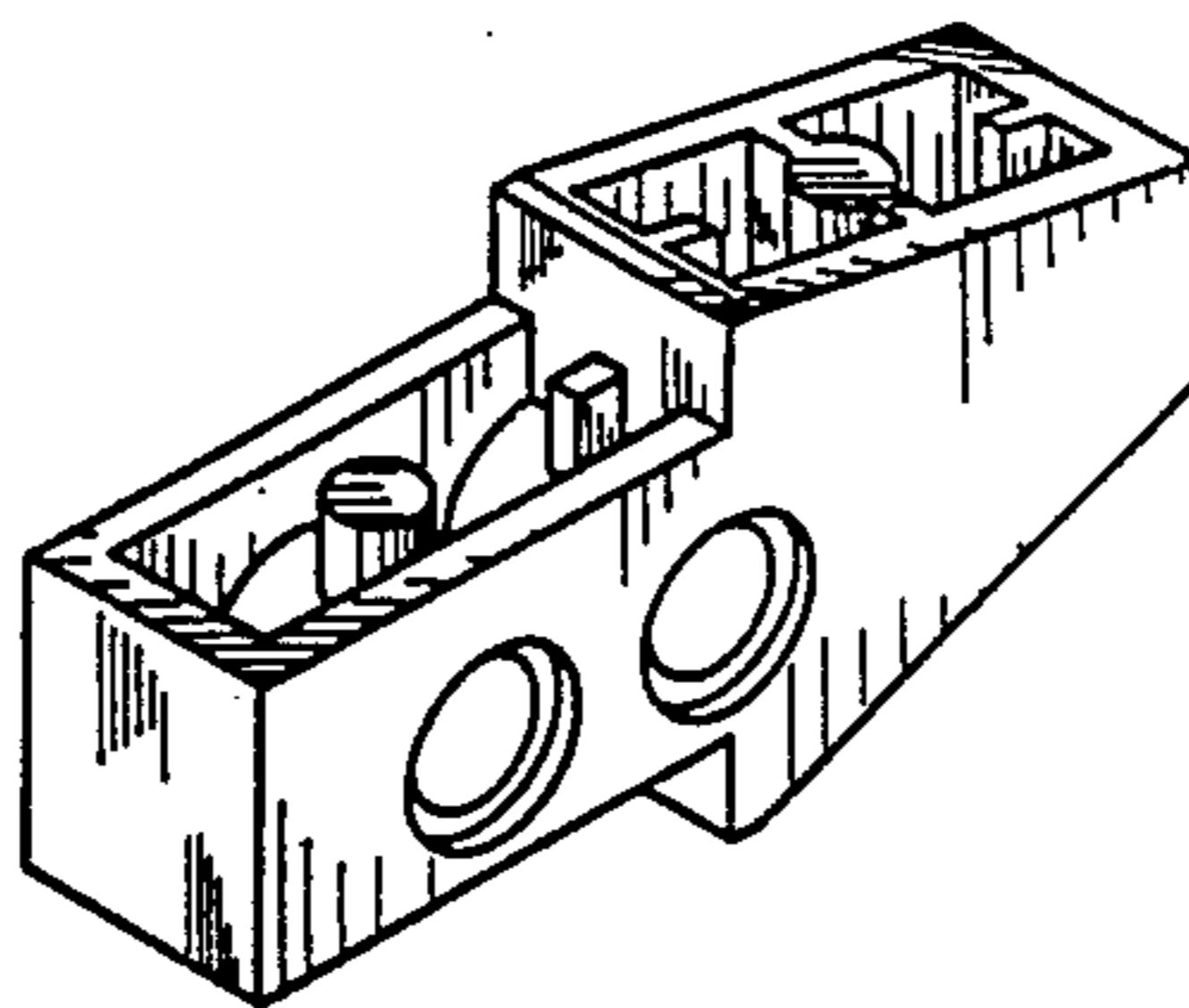
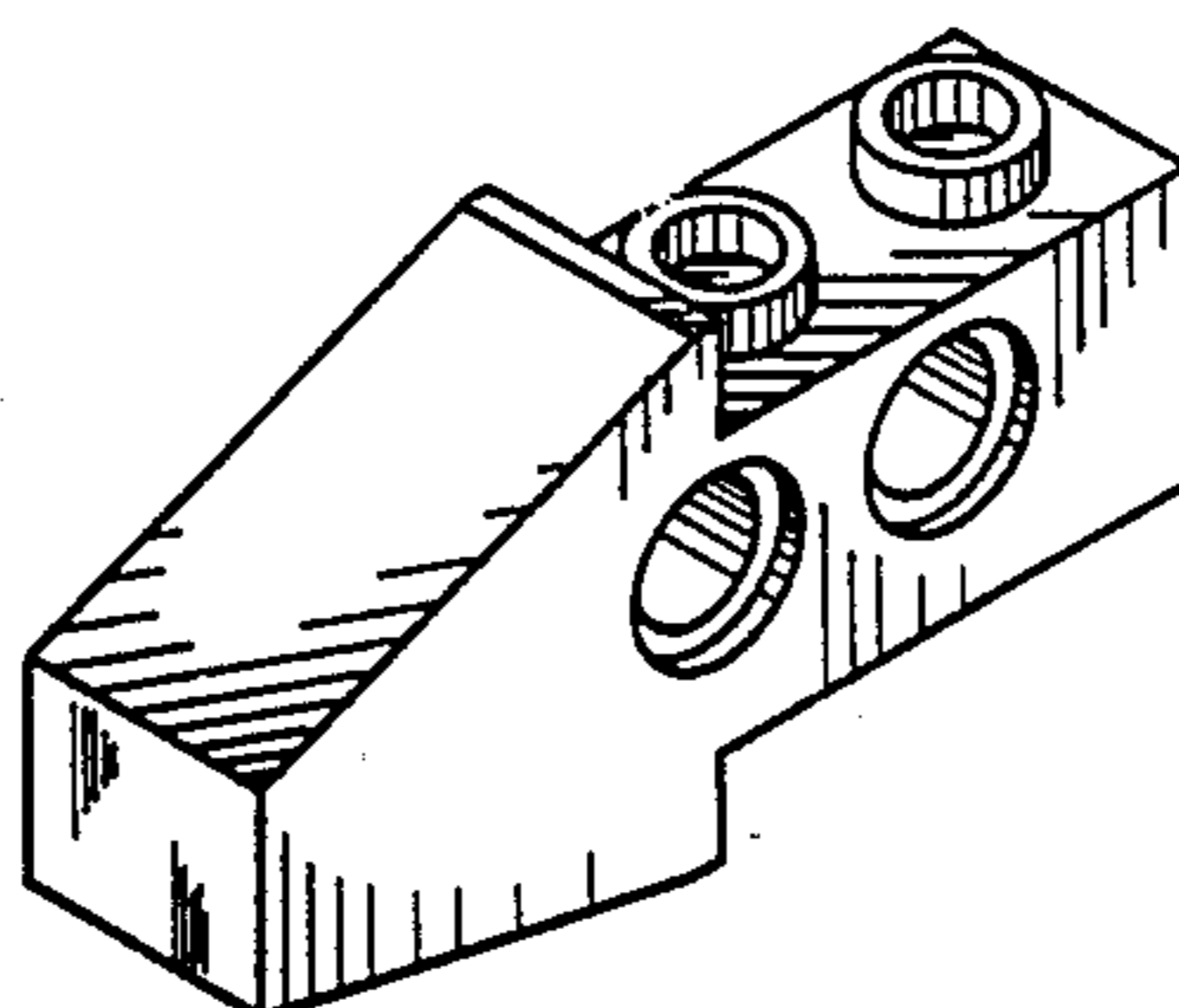


FIG.3

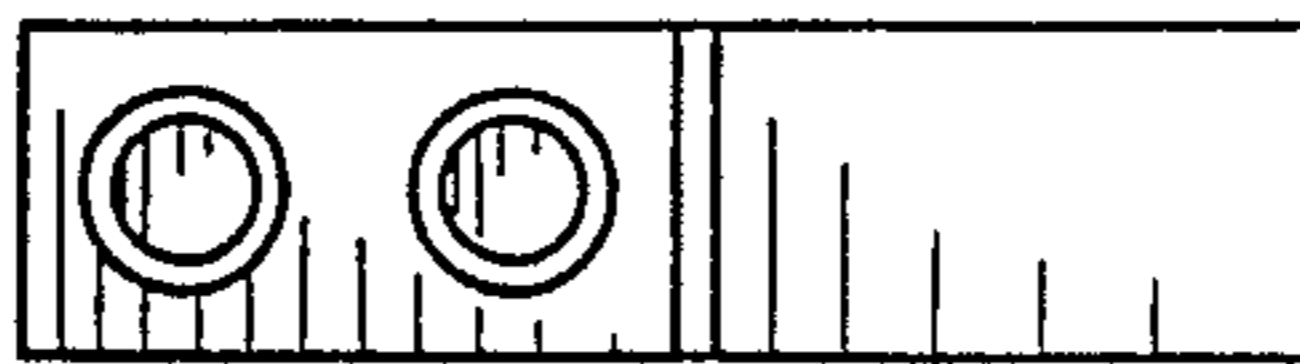


FIG.4

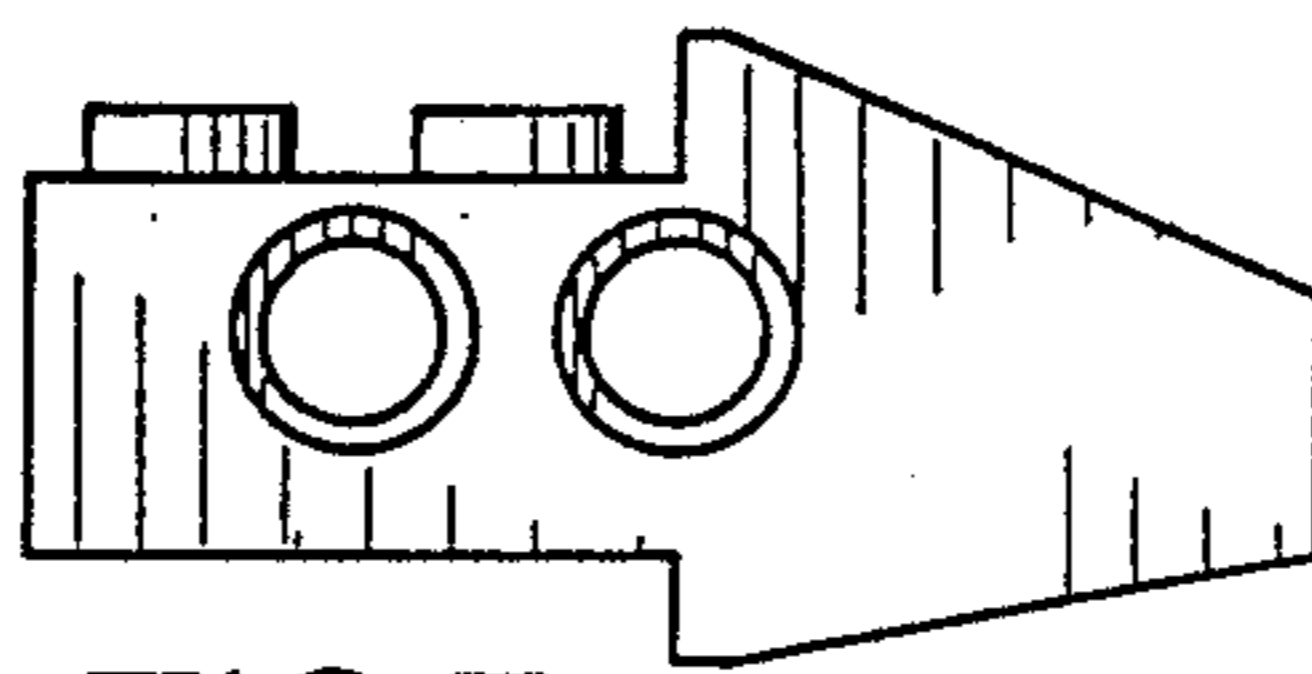
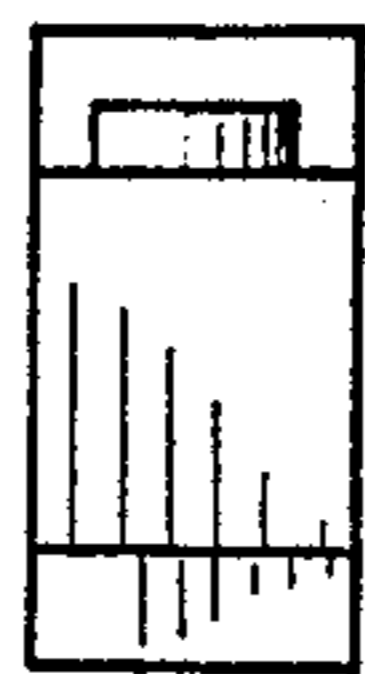


FIG.5

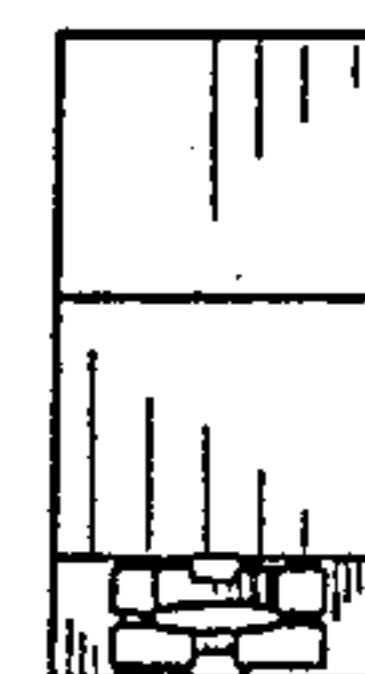


FIG.6



FIG.7

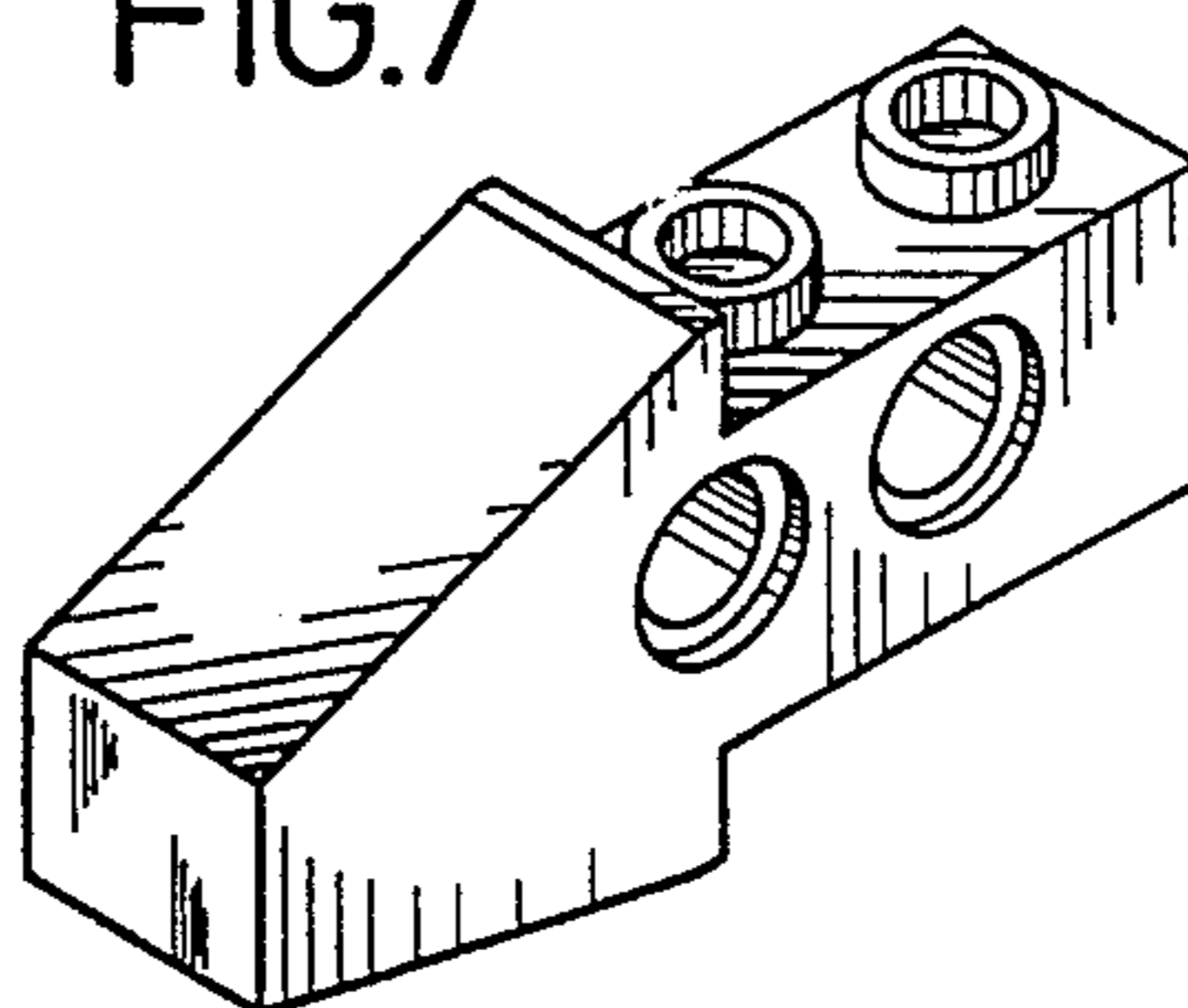


FIG.1

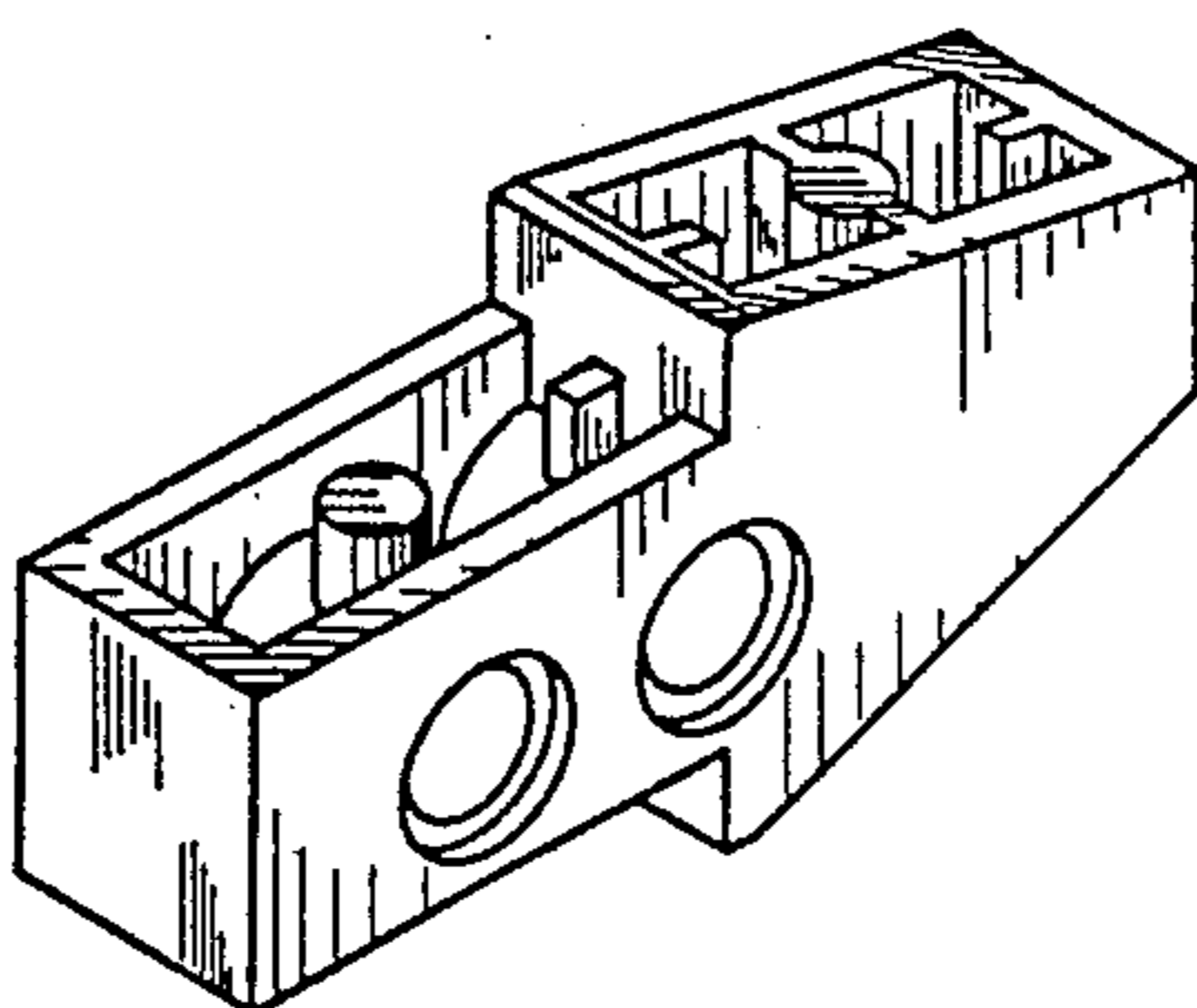


FIG.2