

[54] **COMBINATION PENCIL AND PEN**

[76] **Inventor: A. Bartlett Brock, 220 Cheney St.
#23, Reno, Nev. 89502**

[**] **Term: 14 Years**

[21] **Appl. No.: 911,303**

[22] **Filed: Sep. 24, 1986**

[52] **U.S. Cl. D19/36**

[58] **Field of Search D19/35, 36, 41-51,
D19/53-58, 65, 77, 81, 83, 84, 85; 401/195, 34,
52**

[56] **References Cited**

U.S. PATENT DOCUMENTS

D. 200,511	3/1965	Fehling et al.	D19/51
D. 241,343	9/1976	Harmon	D19/59
3,025,834	4/1959	Aaron	401/34
3,917,416	11/1975	Steyer	401/34

FOREIGN PATENT DOCUMENTS

251884 1/1912 Fed. Rep. of Germany 401/34

Primary Examiner—Bruce W. Dunkins
Assistant Examiner—Martha Thompson
Attorney, Agent, or Firm—Herbert C. Schulze

[57] **CLAIM**

The ornamental design for a combination pencil and pen, as shown and described.

DESCRIPTION

FIG. 1 is a perspective view of a combination pencil and pen showing my new design;
FIG. 2 is an elevational view taken from the left end;
FIG. 3 is a right side elevational view;
FIG. 4 is a top plan view;
FIG. 5 is a left side elevational view;
FIG. 6 is an elevational view taken from the right end;
FIG. 7 is a bottom plan view thereof; and
FIG. 8 is a perspective view of a second embodiment of my new design.

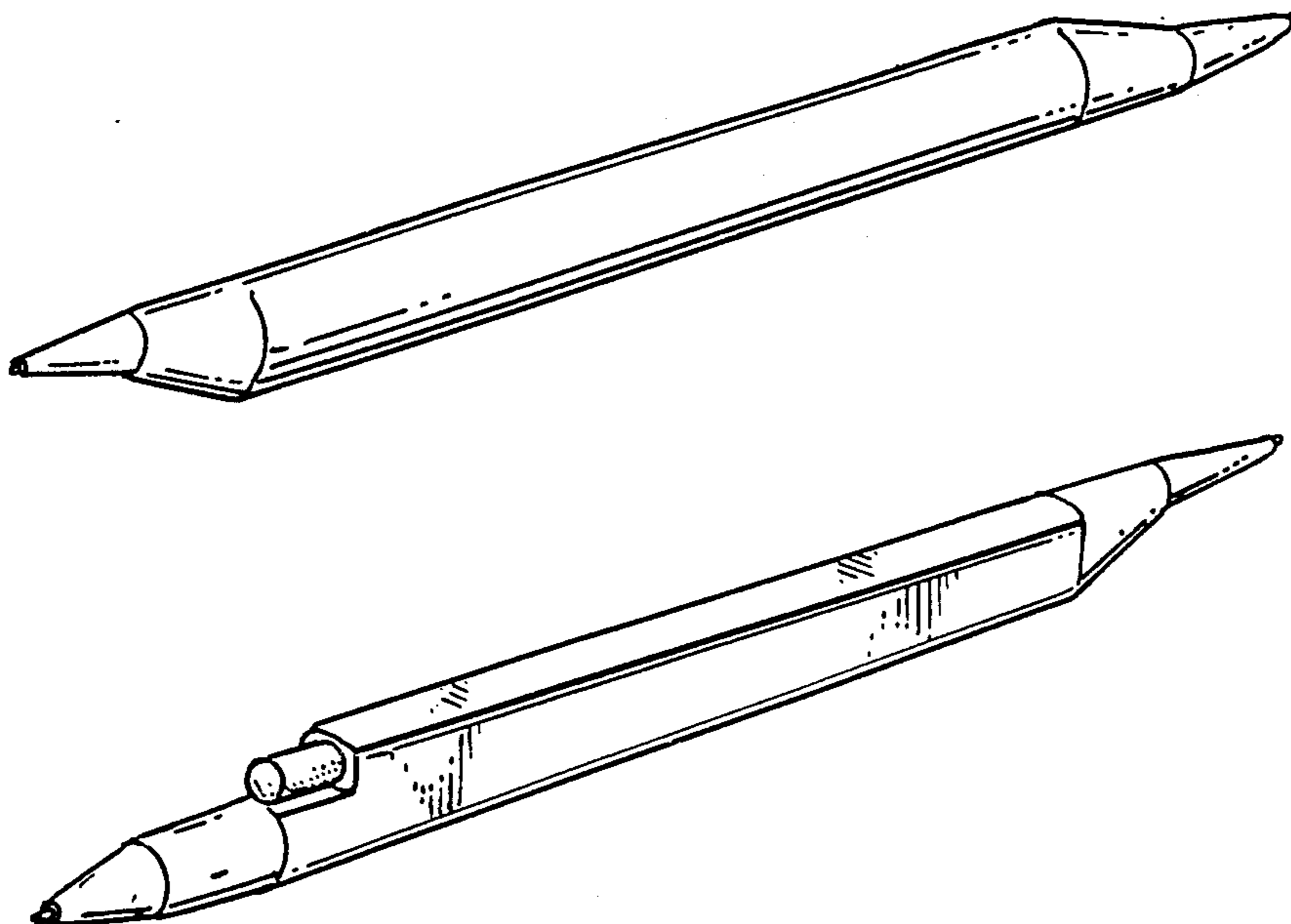


FIG. 1.

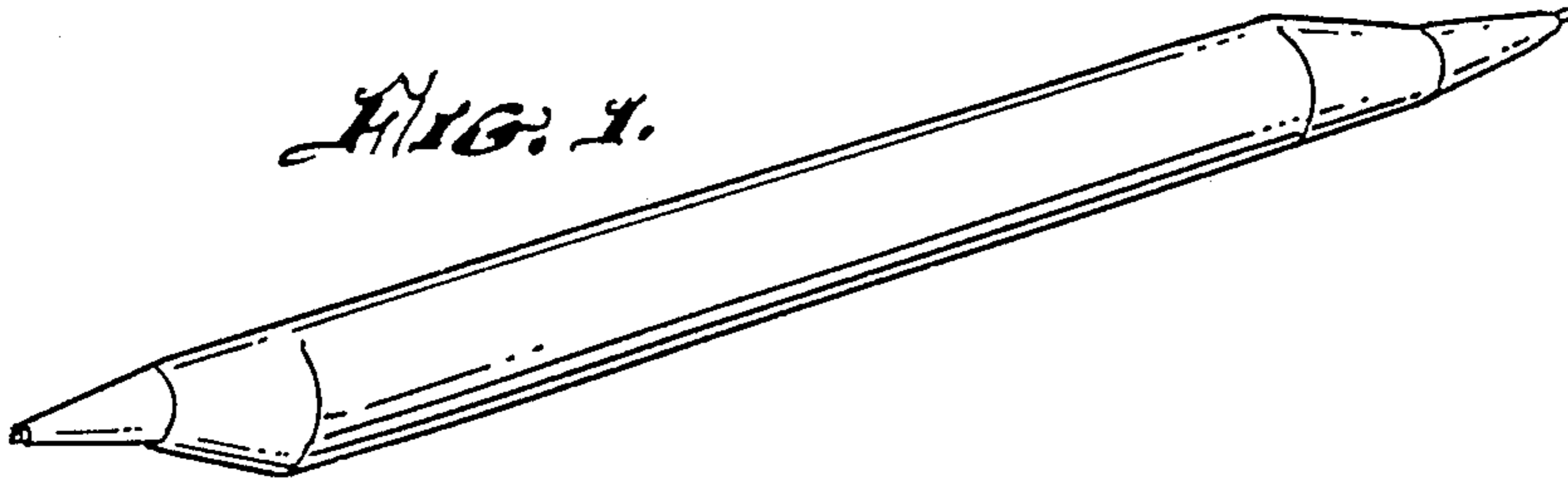


FIG. 2.



FIG. 3.

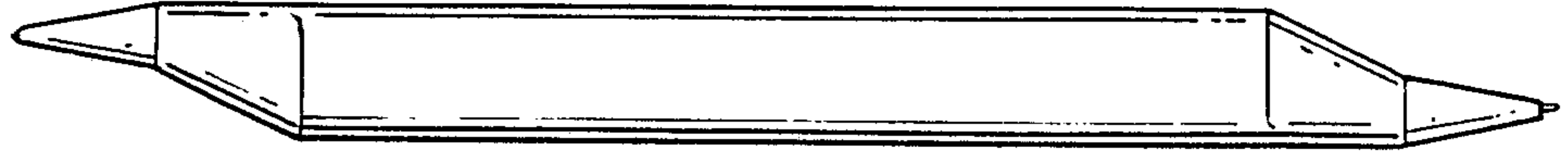


FIG. 4.

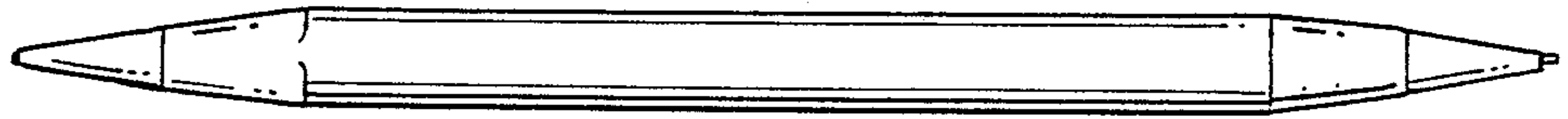


FIG. 6.



FIG. 5.

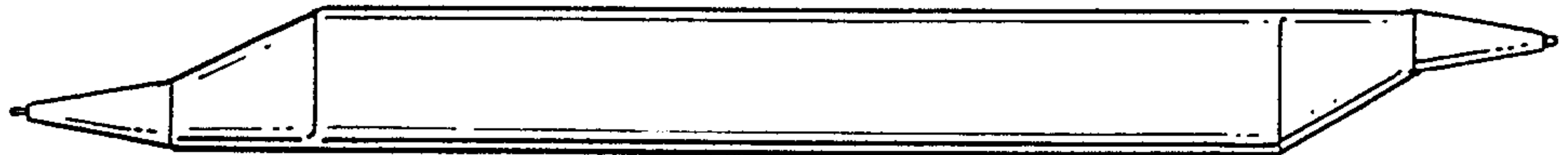


FIG. 7.



FIG. 8.

