

[54] **FABRIC IMPRINTING IMPLEMENT**
 [76] **Inventor: James D. Cohen, 305 Newtown Rd., Wyckoff, N.J. 07481**
 [**] **Term: 14 Years**
 [21] **Appl. No.: 870,333**
 [22] **Filed: Jun. 3, 1986**
 [52] **U.S. Cl. D18/15**
 [58] **Field of Search D18/13, 14, 15, 19; 101/3.1, 31.1, 33, 20, 45, 94, 103, 287, 297, 336, 24, 26, 407.1**

1,634,105 6/1927 Hoffman .
 1,665,597 4/1928 Marks .
 2,188,222 1/1940 Hibbs 101/3.1
 2,443,783 6/1948 Bogin et al. .
 2,482,542 9/1949 Hanrahan .
 2,502,926 4/1950 Chadwick 101/407.1
 3,129,660 4/1964 Miller .
 3,313,231 4/1967 Priesmeyer D18/19
 4,574,693 3/1986 Fink 101/3.1

Primary Examiner—Nelson C. Holtje
Assistant Examiner—Caron D. Veynar
Attorney, Agent, or Firm—Weingram & Zall

[56] **References Cited**
U.S. PATENT DOCUMENTS

D. 190,405 5/1961 Barnes D18/15
 D. 296,113 6/1988 Siegel D18/15
 56,244 7/1866 Merriam 101/31.1
 553,132 1/1896 Park 101/31.1
 758,491 4/1904 Woodman 101/31.1
 909,836 8/1909 Webster .
 930,005 1/1909 Weaver et al. .
 1,335,393 3/1920 Renick 101/3.1
 1,370,267 3/1921 Baskerville .

[57] **CLAIM**
 The ornamental design for fabric imprinting implement, as shown.

DESCRIPTION

FIG. 1 is a left front perspective view of a fabric imprinting implement showing my new design;
 FIG. 2 is a front elevational view thereof;
 FIG. 3 is a rear elevational view thereof;
 FIG. 4 is a top plan view thereof, the bottom plan view being a mirror image thereof;
 FIG. 5 is a right side elevational view thereof.

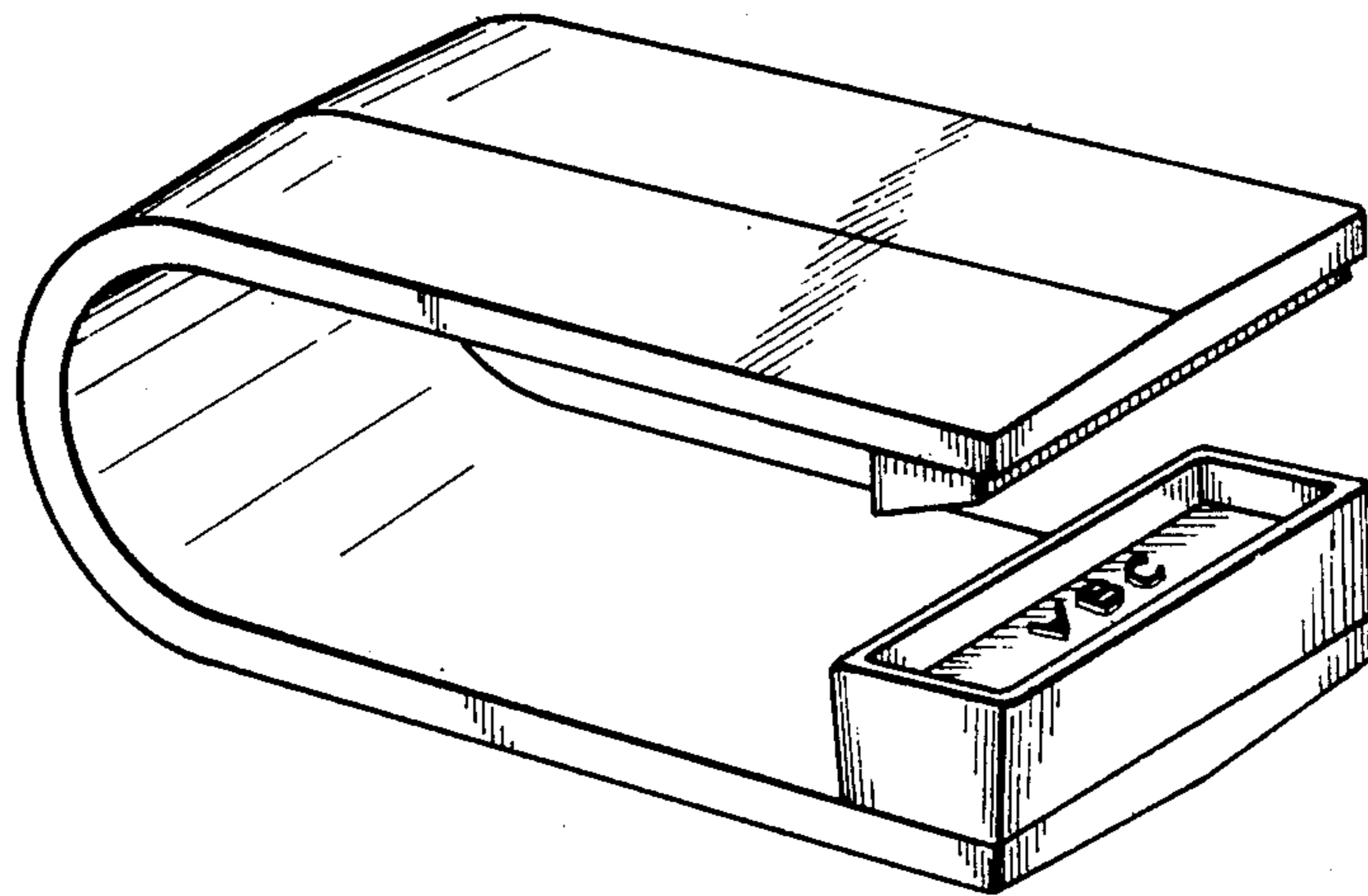


FIG-1

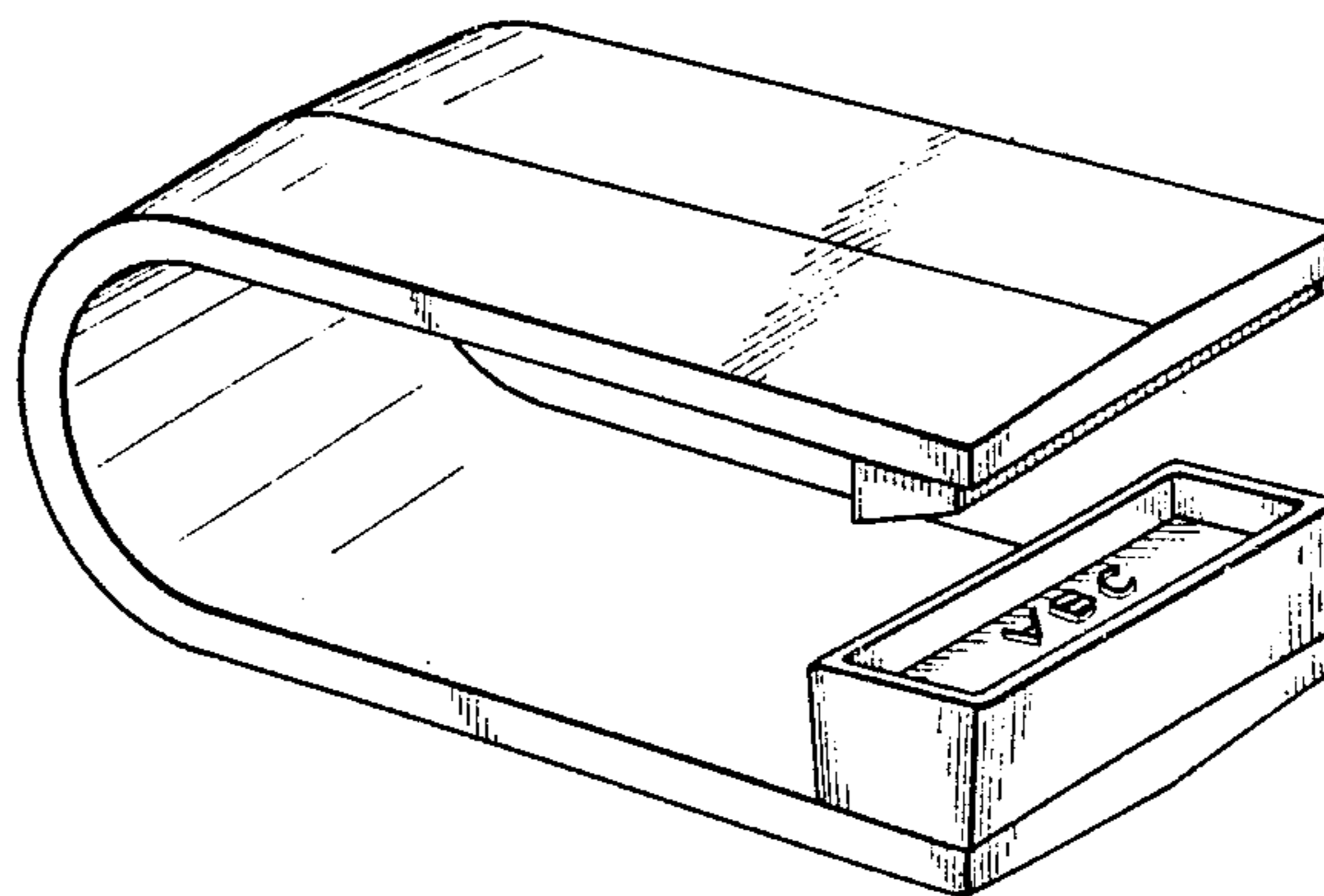


FIG-2

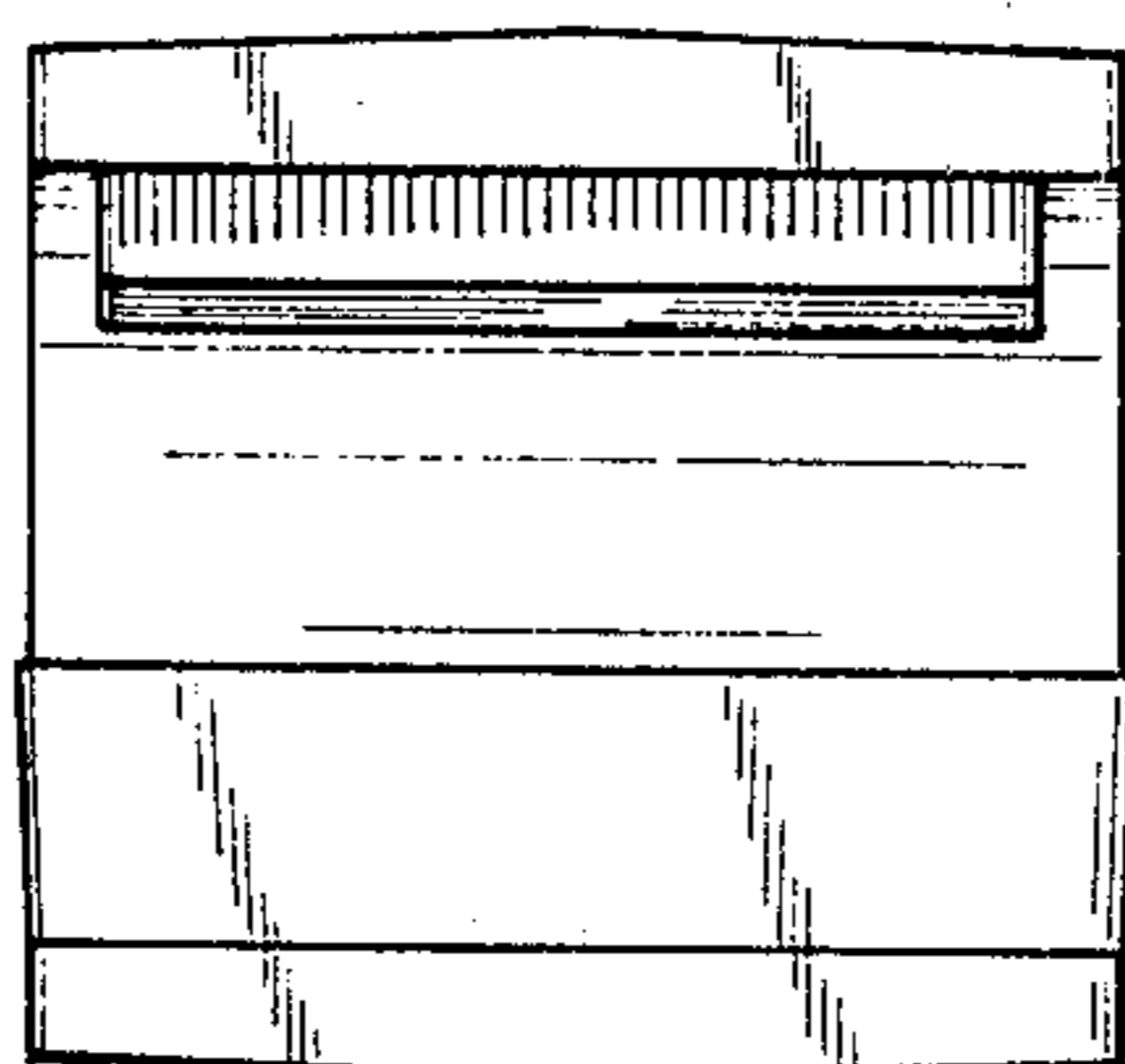


FIG-3

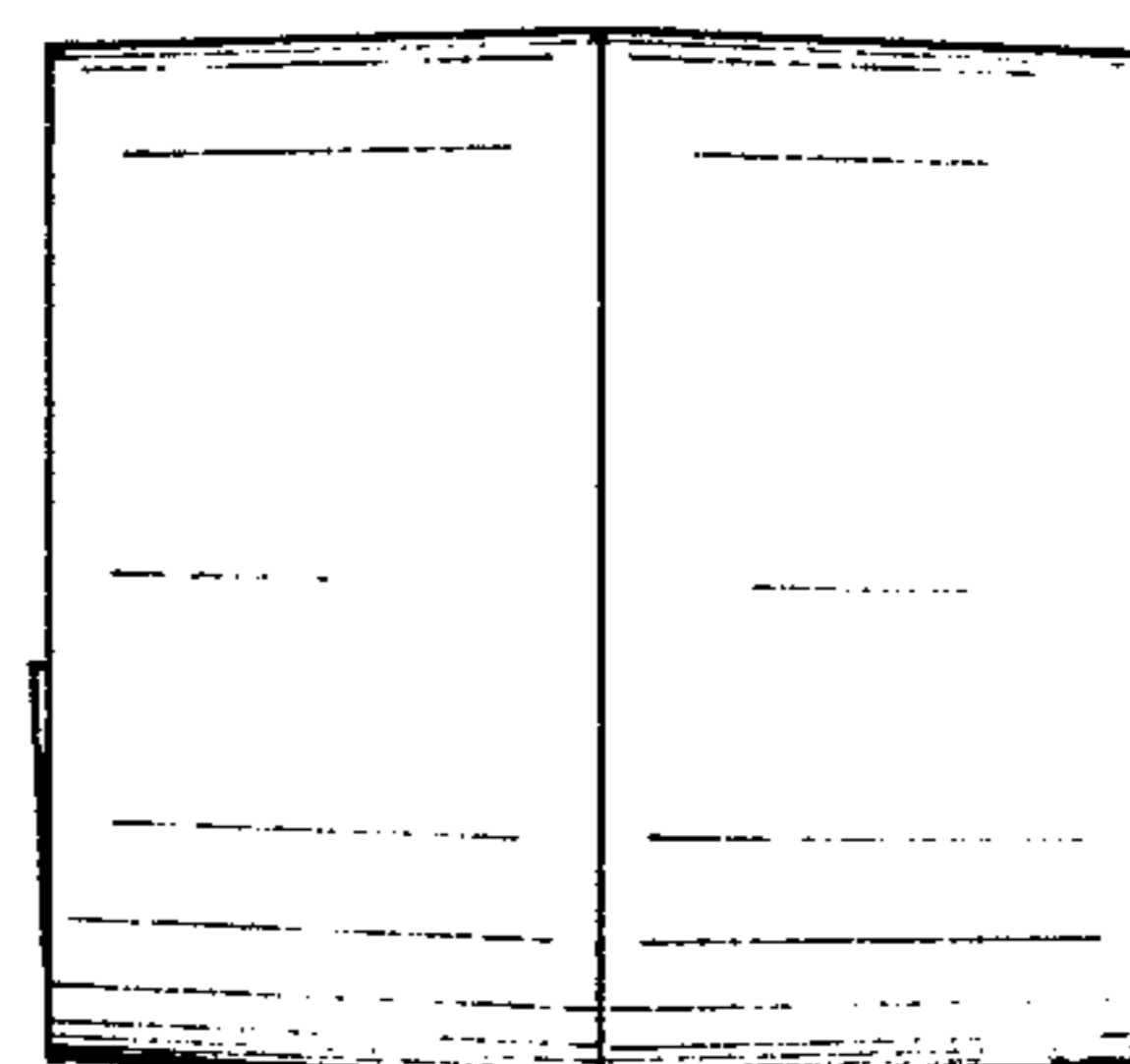


FIG-4

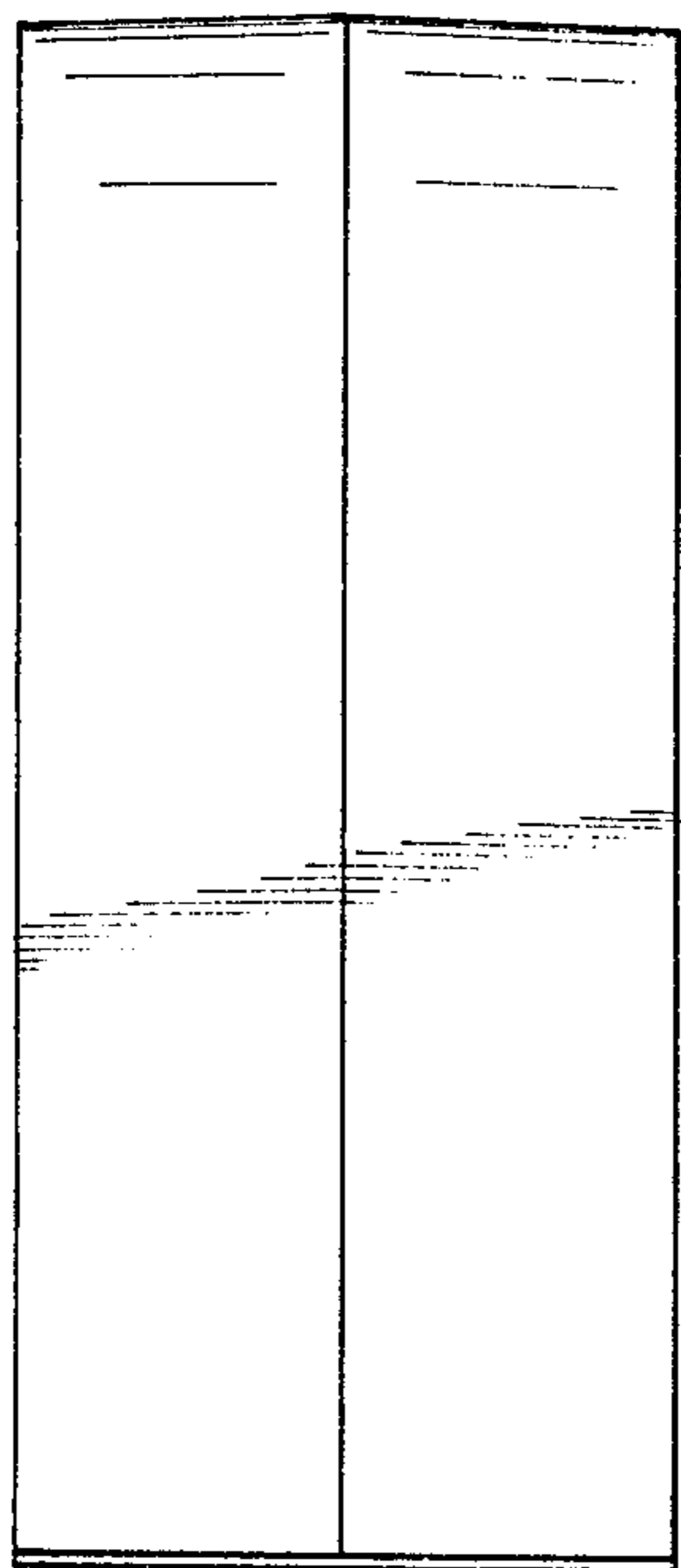


FIG-5

