

[54] SURVEILLANCE CAMERA HOUSING

[75] Inventor: Richard C. Beaver, Inglewood, Calif.

[73] Assignee: American Electronics, Inc., Fullerton, Calif.

[**] Term: 14 Years

[21] Appl. No.: 929,211

[22] Filed: Nov. 10, 1986

[52] U.S. Cl. D16/203

[58] Field of Search D16/200, 202, 203, 213, D16/217; 354/75, 76, 288; 358/229, 108

[56] References Cited

U.S. PATENT DOCUMENTS

- D. 227,504 6/1973 Wentworth-Lang D16/202
- D. 269,513 6/1983 Nagele D16/202
- D. 273,012 3/1984 Kozloski D16/203

- 4,439,028 3/1984 Schrader 353/119
- 4,618,886 10/1986 Mooney 358/229

Primary Examiner—Bernard Ansher
Assistant Examiner—Adir Aronovich
Attorney, Agent, or Firm—Charles E. Wills

[57] CLAIM

The ornamental design for a surveillance camera housing, as shown.

DESCRIPTION

FIG. 1 is a perspective view of a surveillance camera housing showing my new ornamental design; FIG. 2 is a left side elevation view thereof; FIG. 3 is a front elevation view thereof; FIG. 4 is a top plan view thereof; FIG. 5 is a right side elevation view thereof; FIG. 6 is a rear elevation view thereof; and FIG. 7 is a bottom plan view thereof.

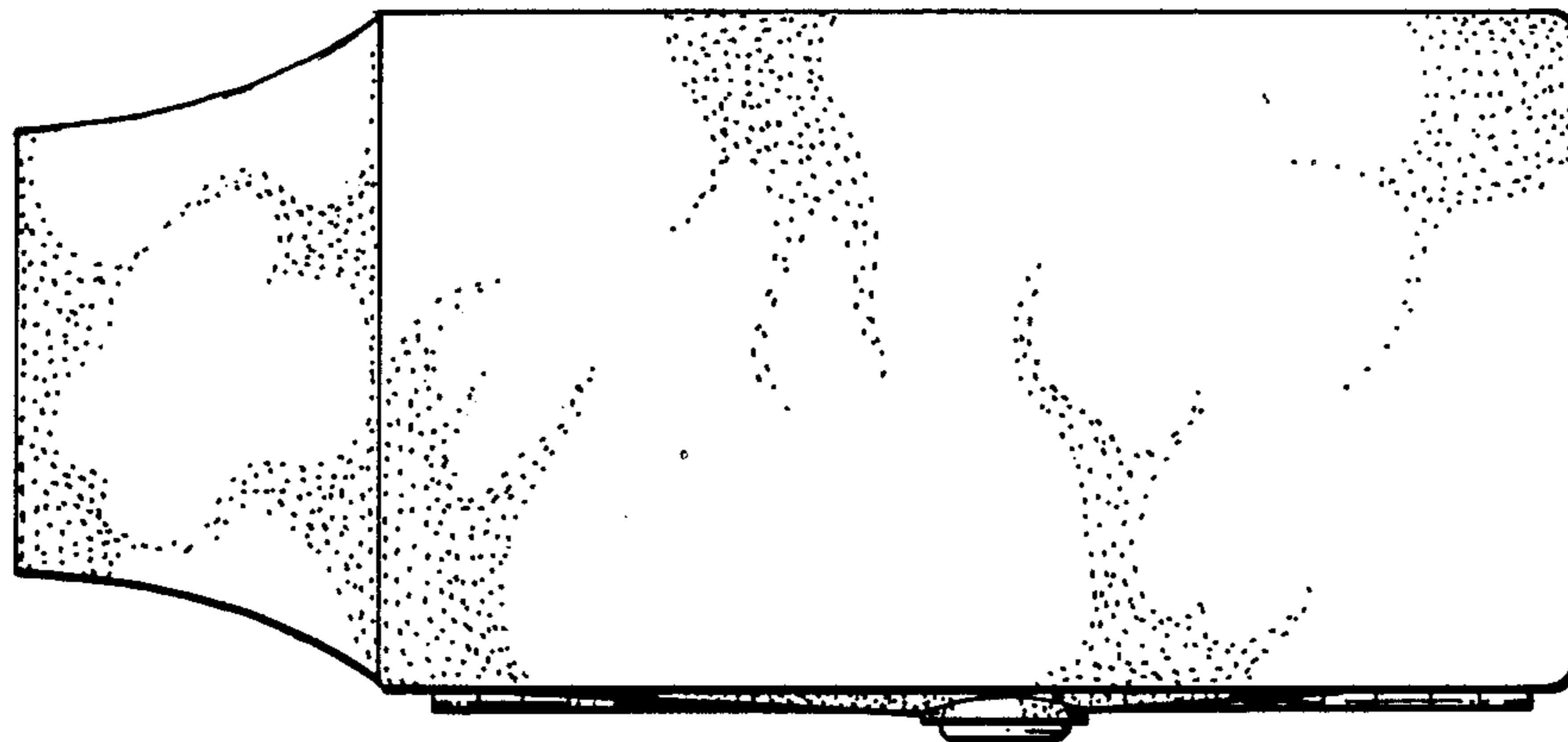


FIG. 1

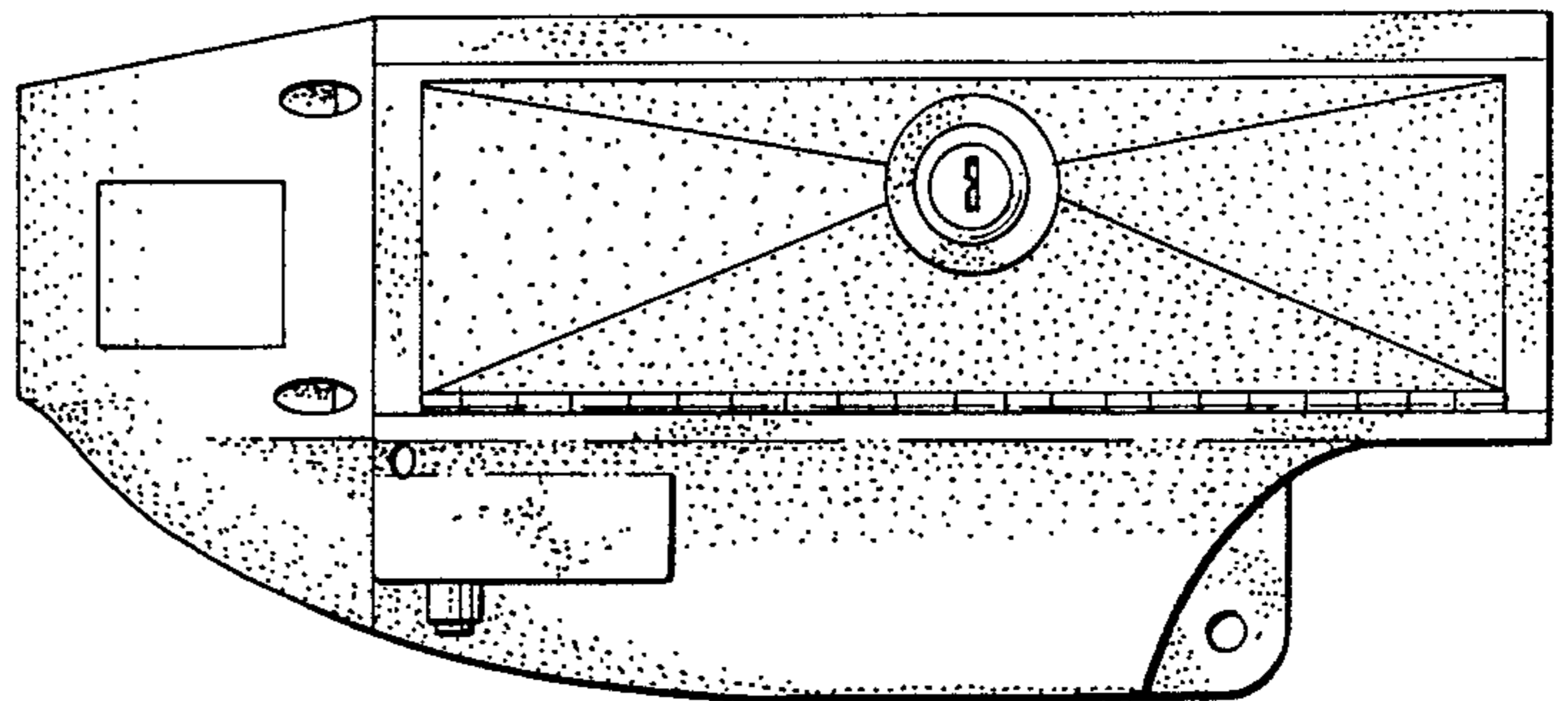
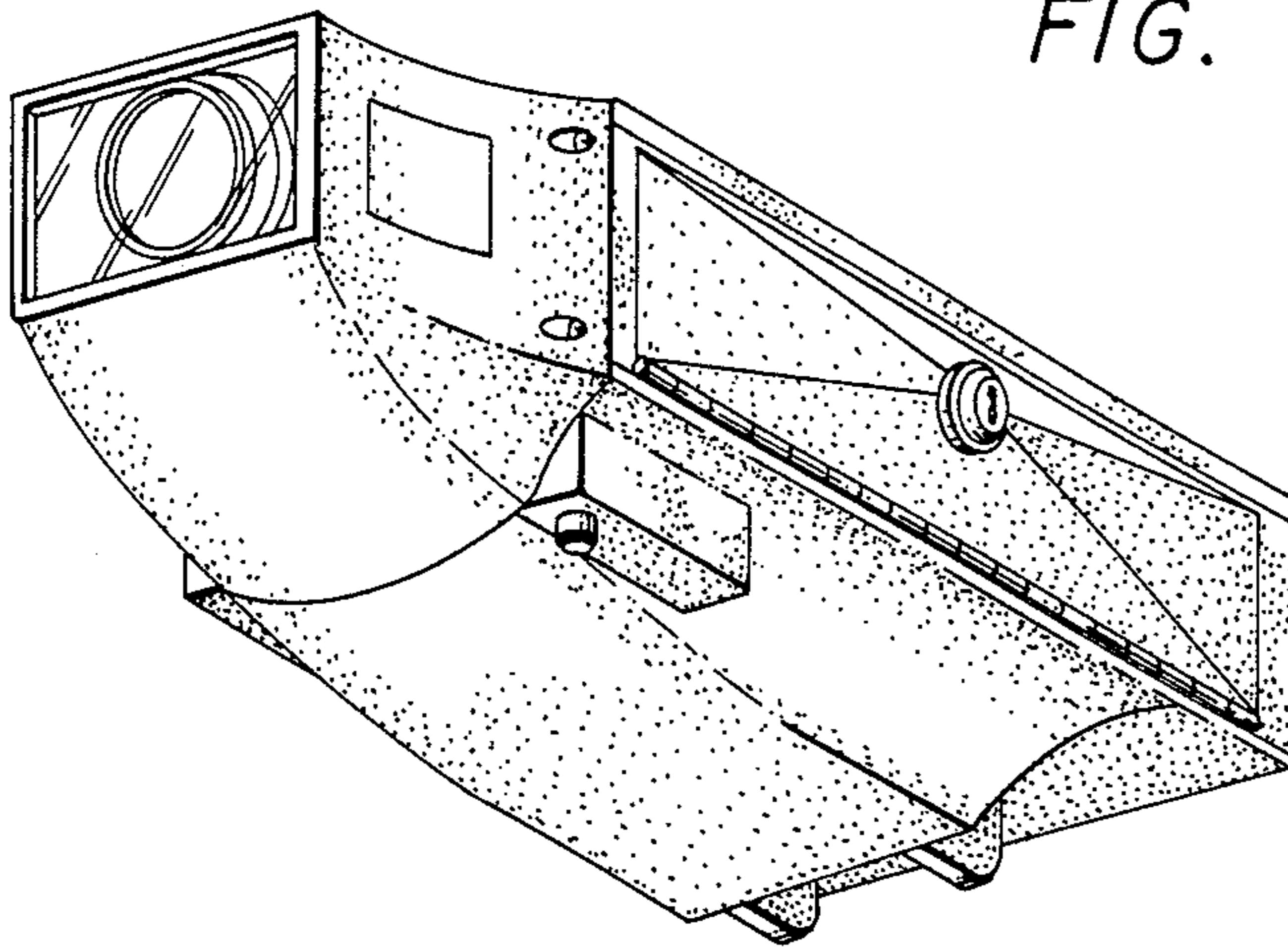


FIG. 2

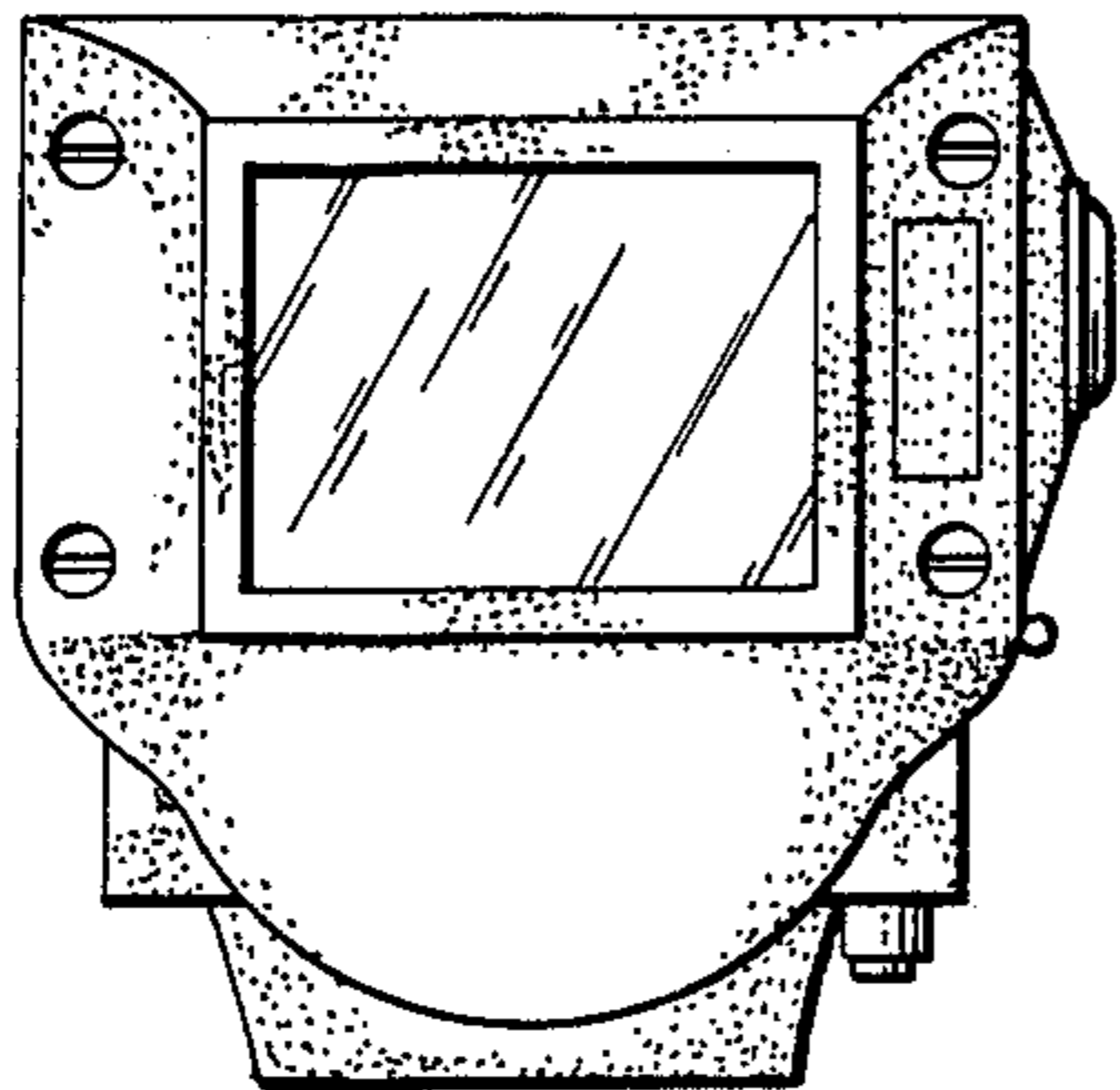


FIG. 3

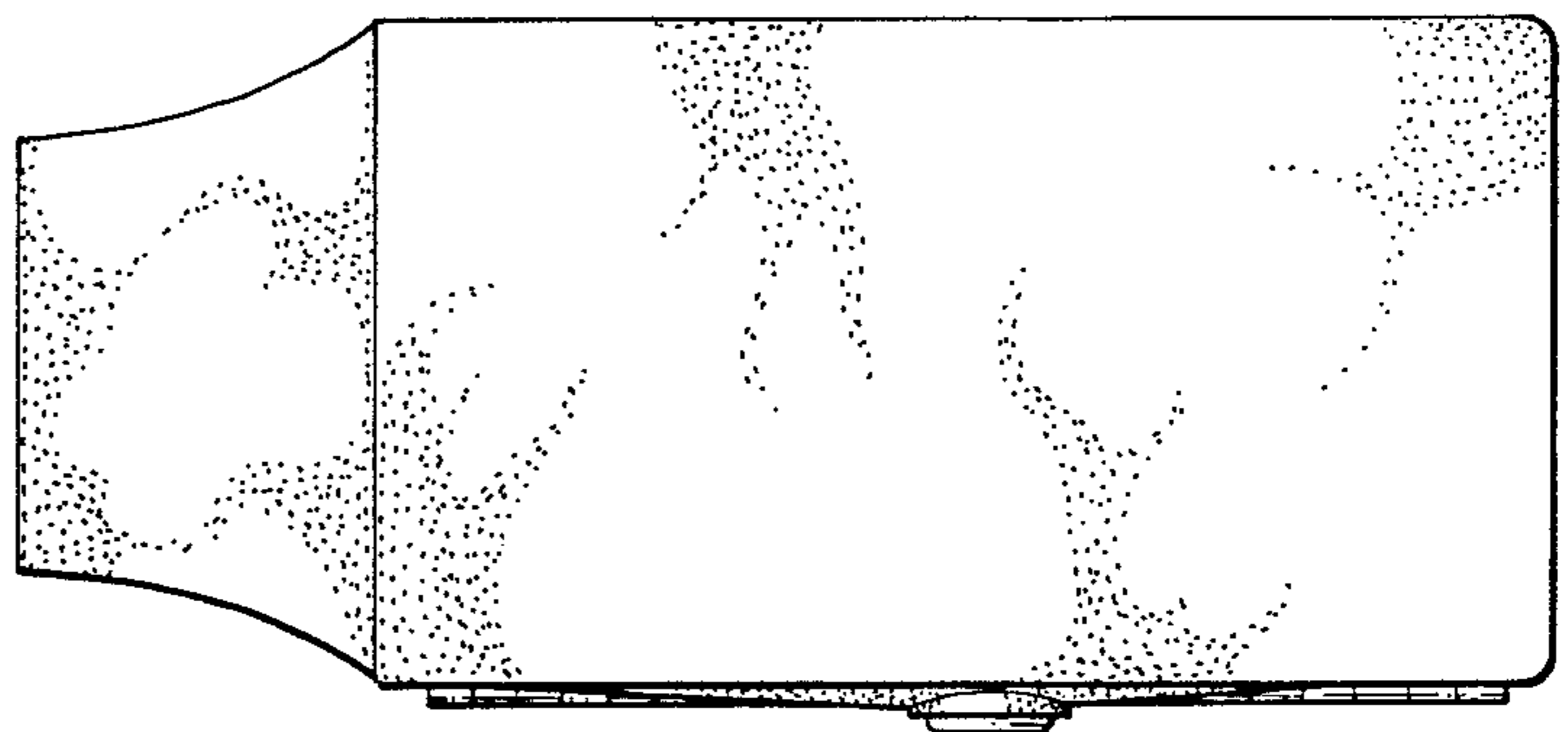


FIG. 4

FIG. 5

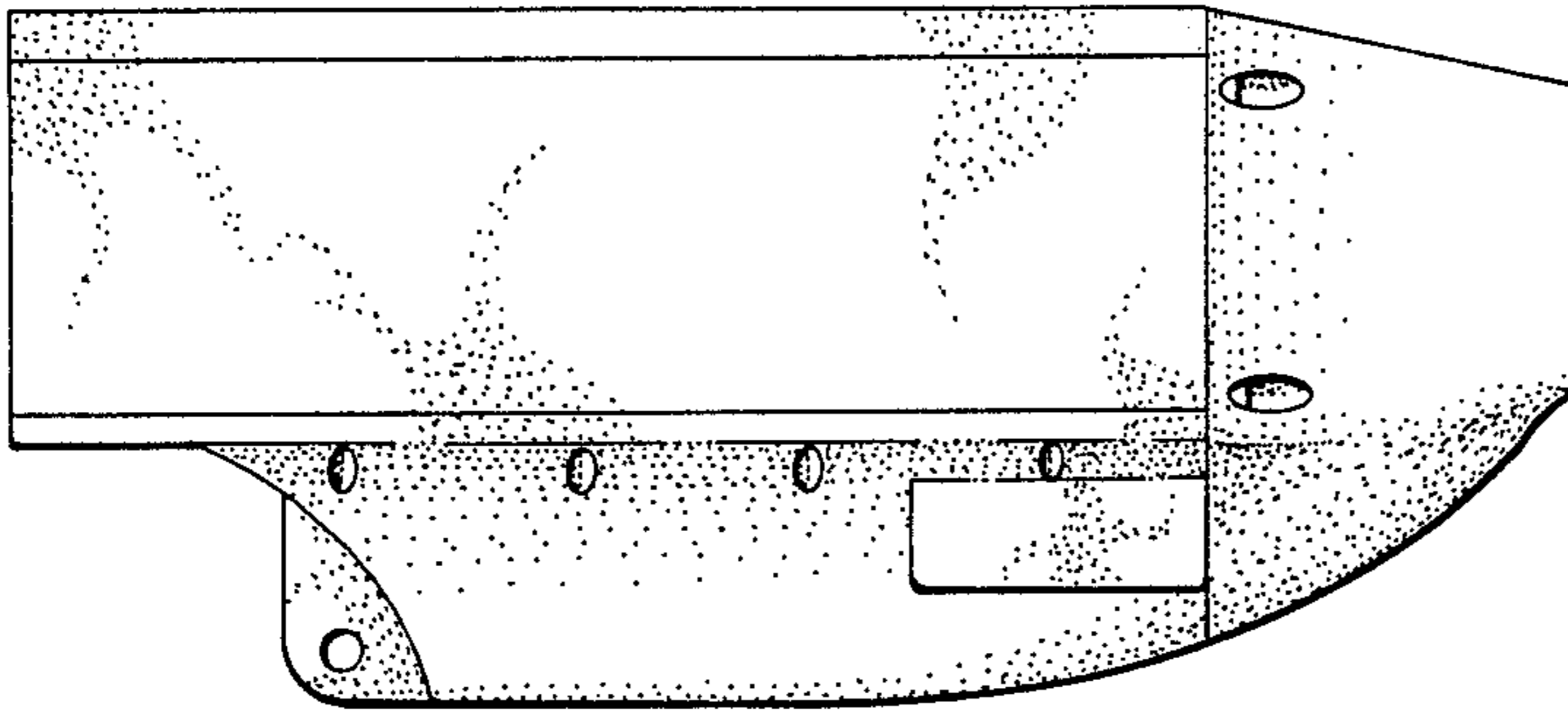


FIG. 6

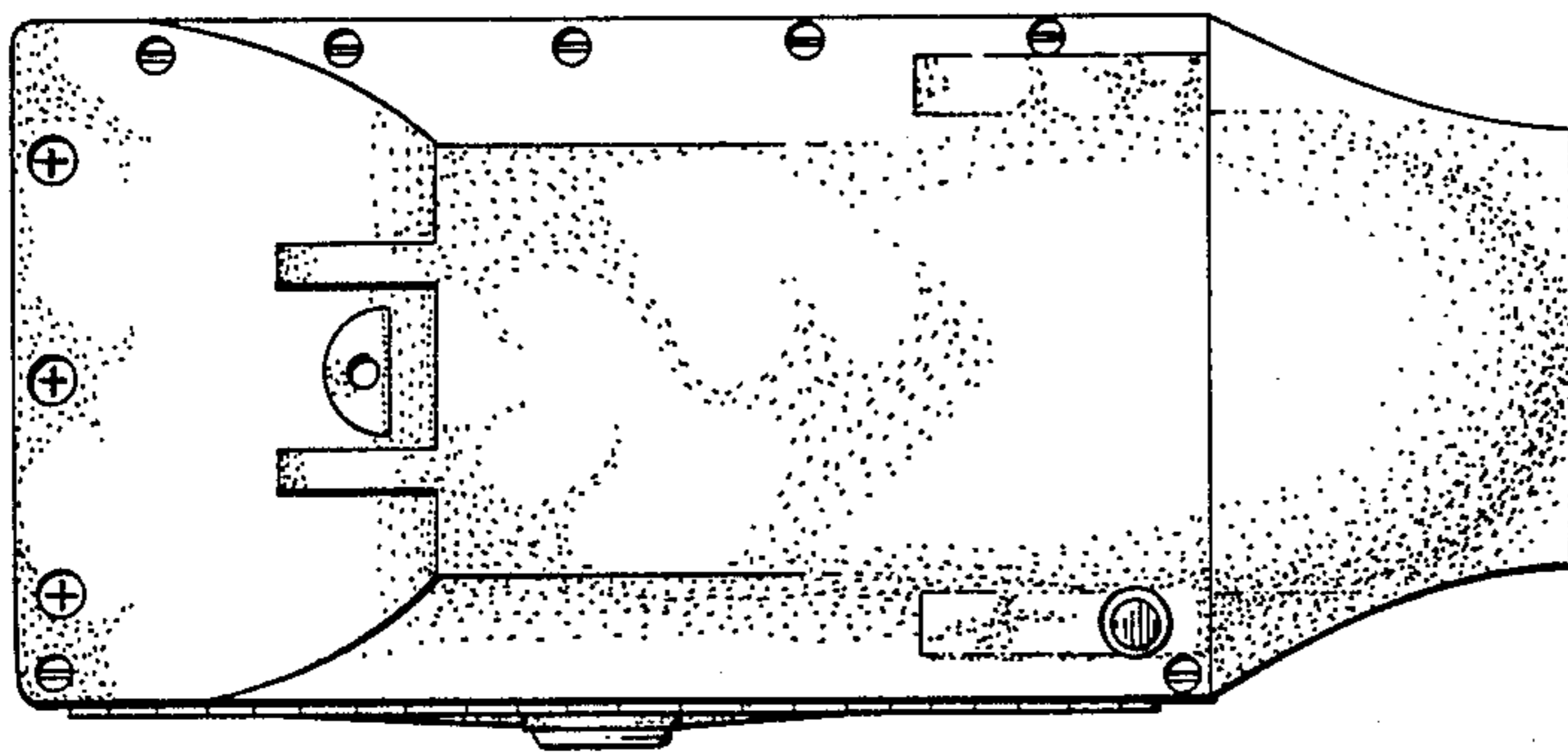
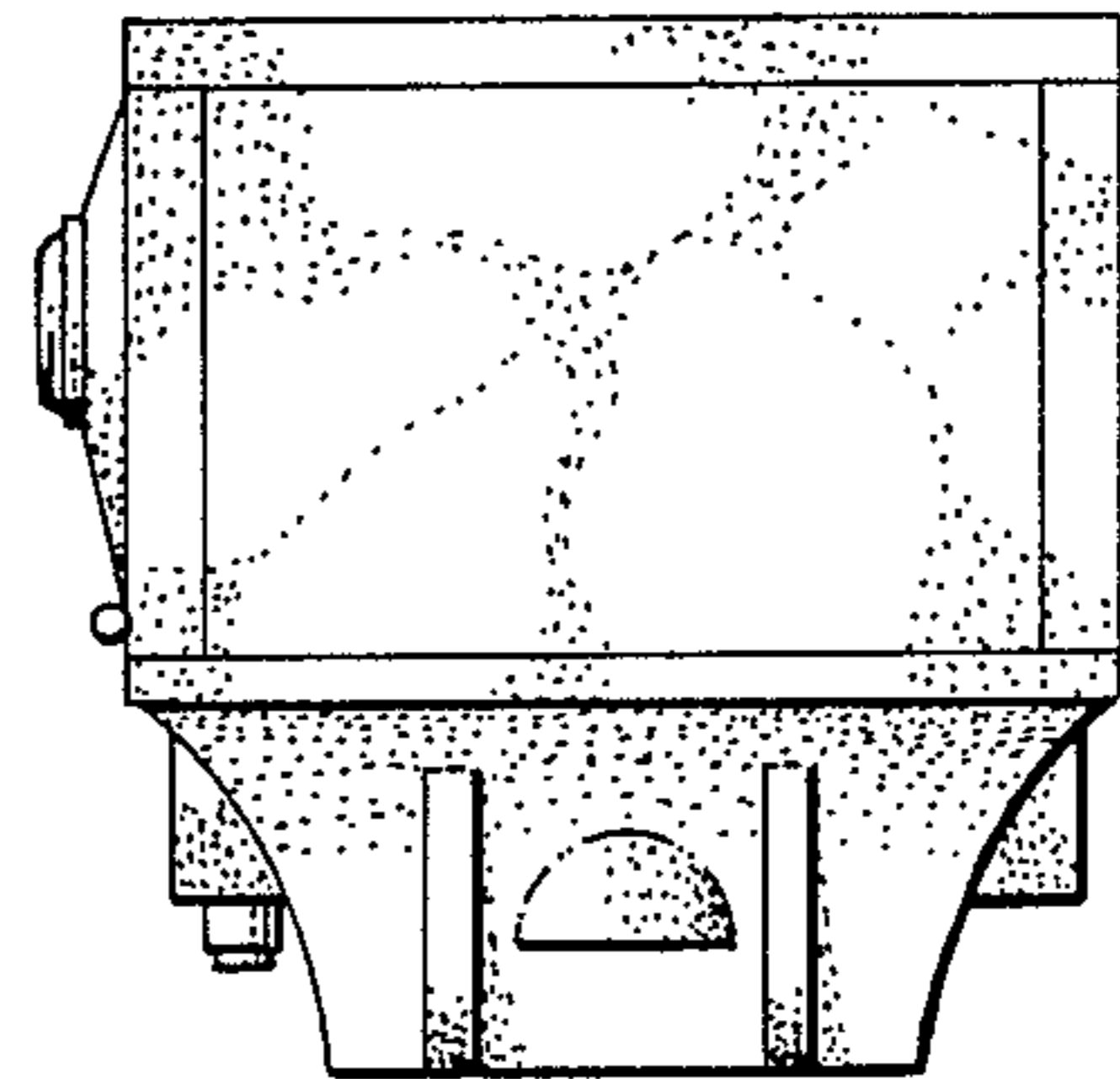


FIG. 7