

United States Patent [19]

Shimizu et al.

[11] Patent Number: **Des. 303,674**

[45] Date of Patent: **** Sep. 26, 1989**

[54] TELEVISION CAMERA

[75] Inventors: **Norio Shimizu; Hiroshi Osaka**, both of Tokyo, Japan

[73] Assignee: **Koyo Electronics Industries Co., Ltd.**, Tokyo, Japan

[**] Term: **14 Years**

[21] Appl. No.: **904,310**

[22] Filed: **Sep. 5, 1986**

[30] Foreign Application Priority Data

Jul. 30, 1986 [JP] Japan 61-29938

[52] U.S. Cl. **D16/202; D16/203; D16/205**

[58] Field of Search **D16/200, 202, 203, 205; 358/108, 229; 352/121**

[56] References Cited

U.S. PATENT DOCUMENTS

D. 202,942 11/1965 Zimmerman D16/205

D. 214,702	7/1969	Kiven	D16/202
D. 227,504	6/1973	Wentworth-Lang	D16/202
D. 277,961	3/1985	Shimizu et al.	D16/202
3,568,583	3/1971	Horberg, Jr.	358/229
4,028,730	5/1976	Miller	358/229

Primary Examiner—Bernard Ansher
Assistant Examiner—Adir Aronovich
Attorney, Agent, or Firm—Sughrue, Mion, Zinn, Macpeak & Seas

[57] CLAIM

The ornamental design for a television camera, as shown.

DESCRIPTION

FIG. 1 is a front, top and right side perspective view of a television camera showing our new design; FIG. 2 is a front elevational view thereof; FIG. 3 is a rear elevational view thereof; FIG. 4 is a right side elevational view thereof; FIG. 5 is a left side elevational view thereof; FIG. 6 is a top plan view thereof; and FIG. 7 is a bottom plan view thereof.

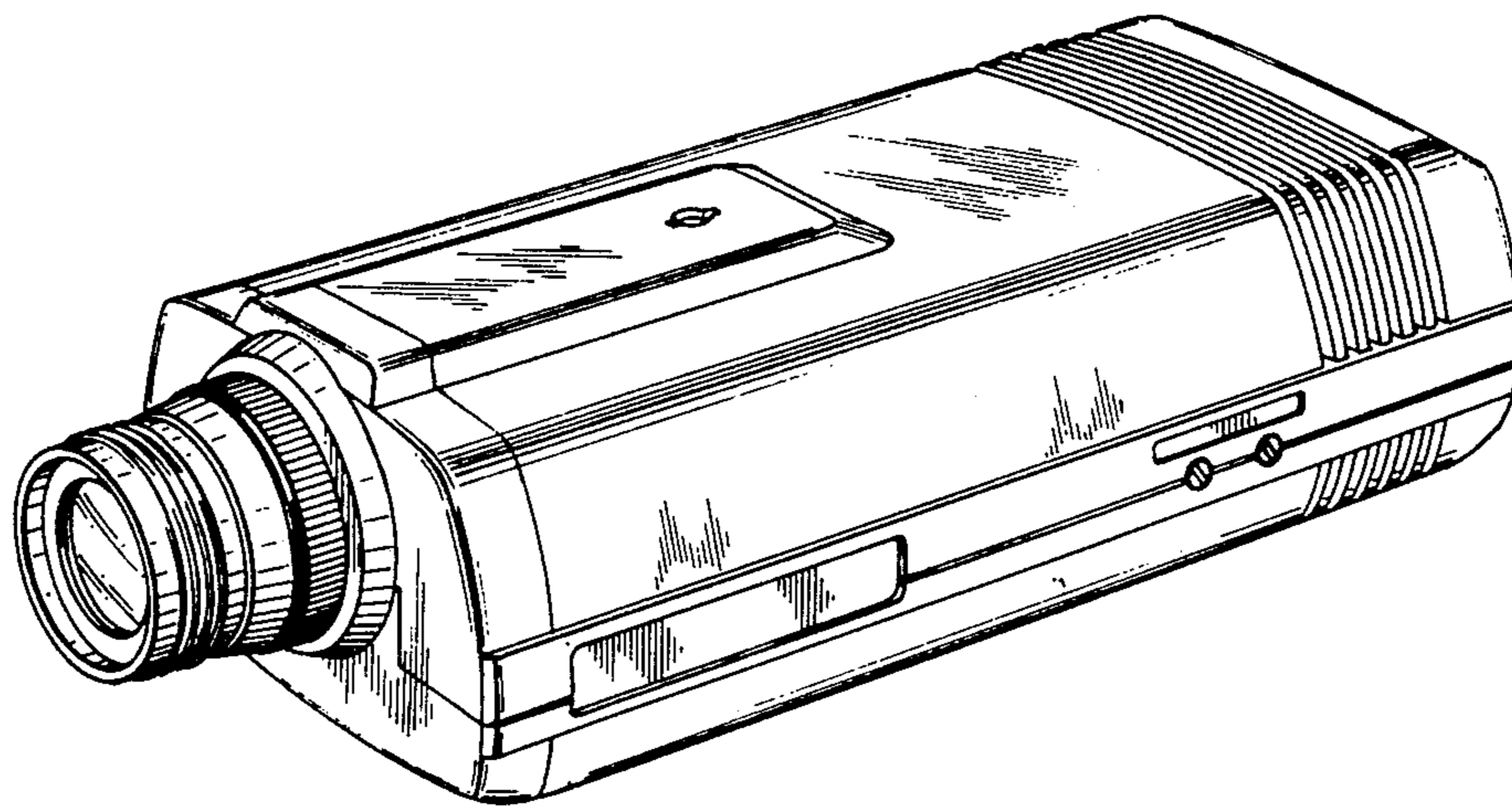


FIG. 1

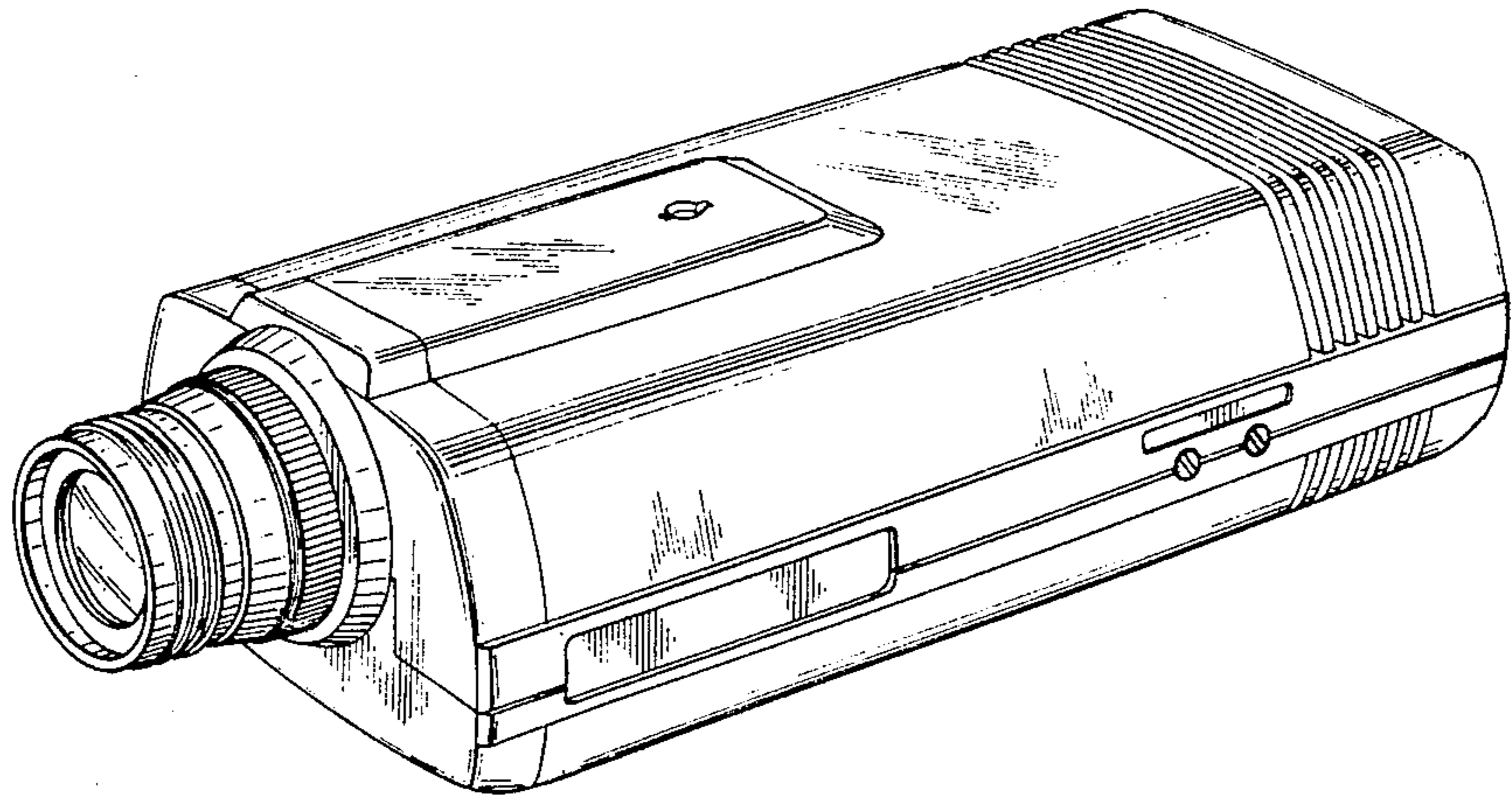


FIG. 2

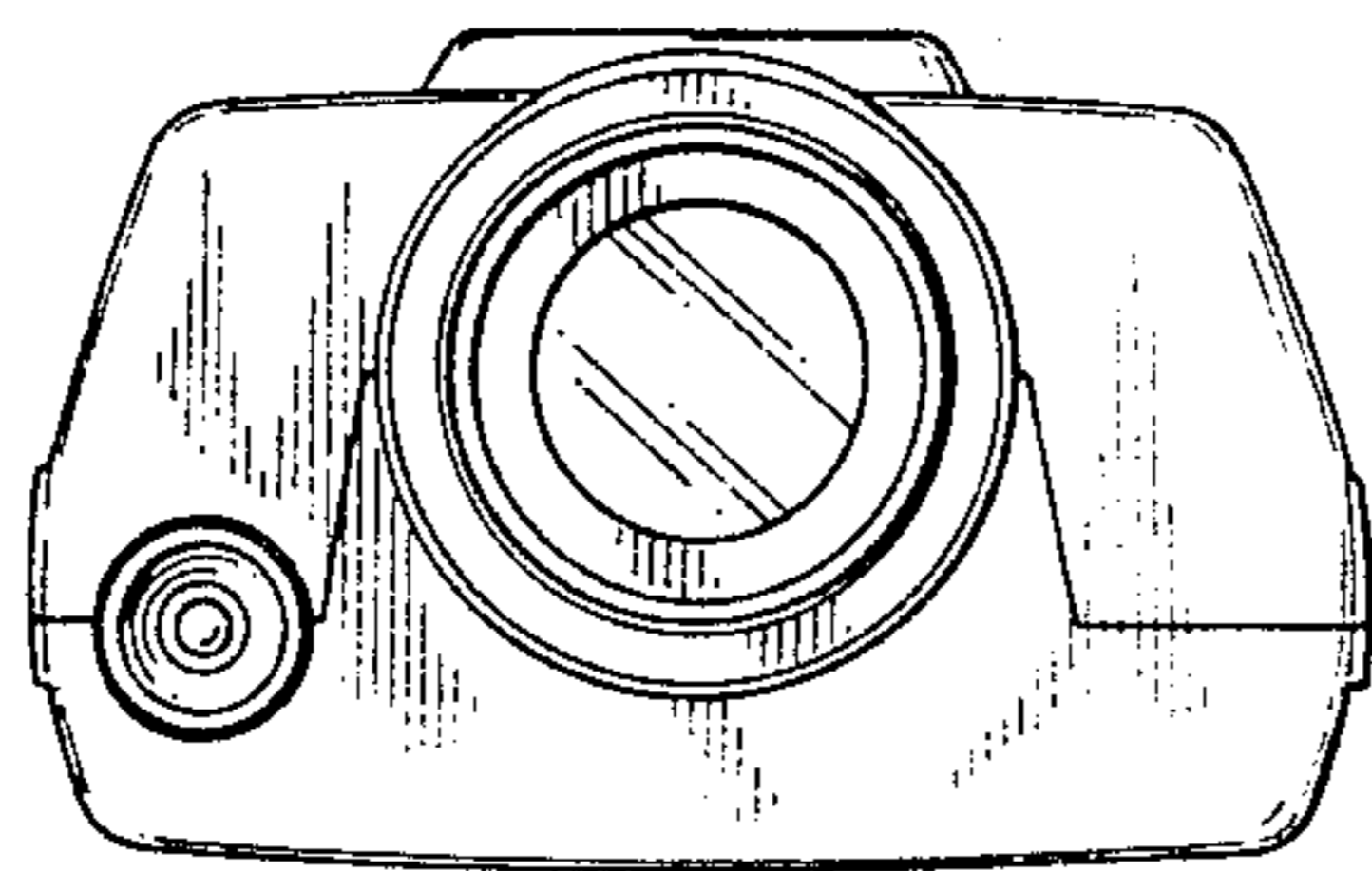


FIG. 3

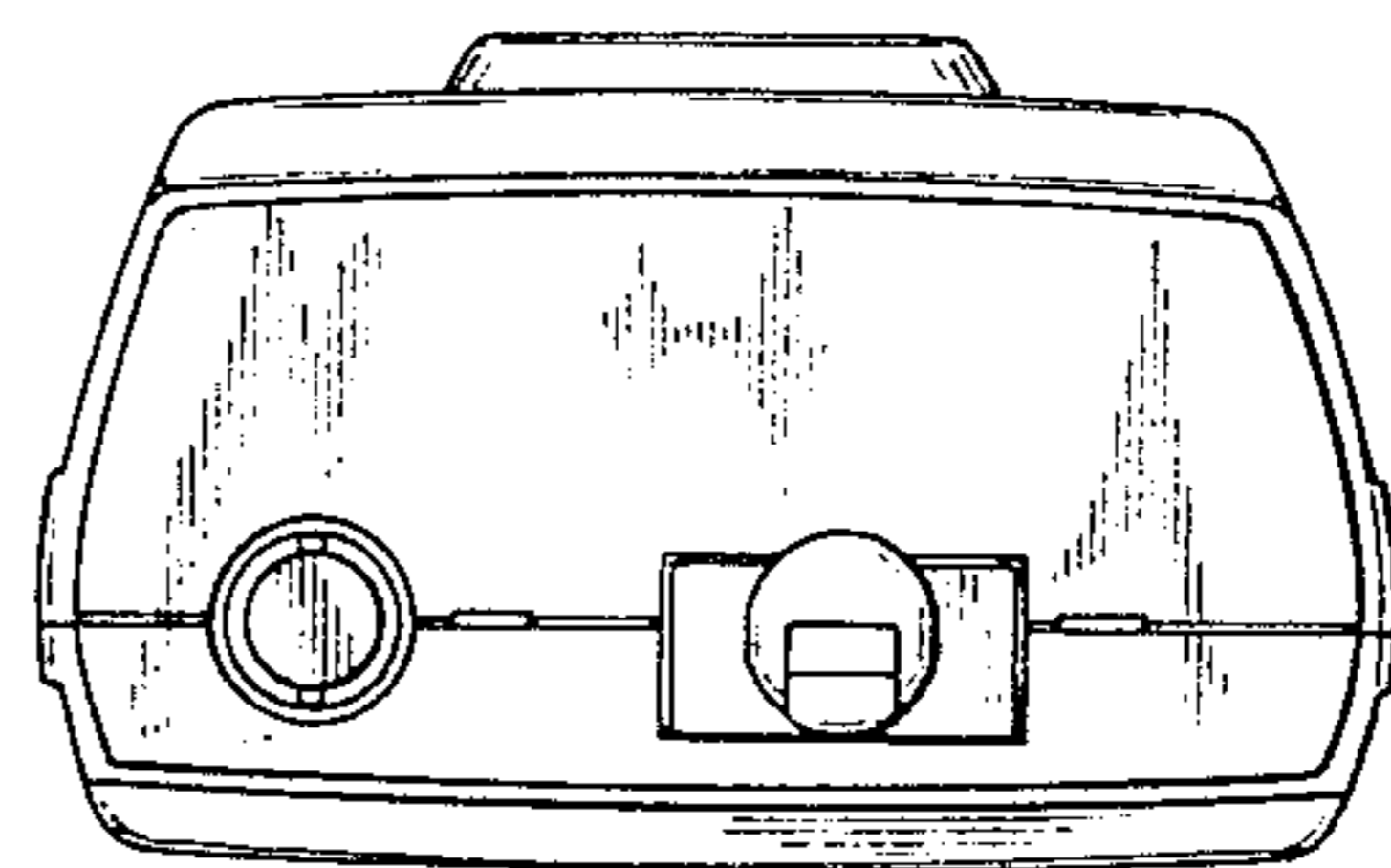


FIG. 4

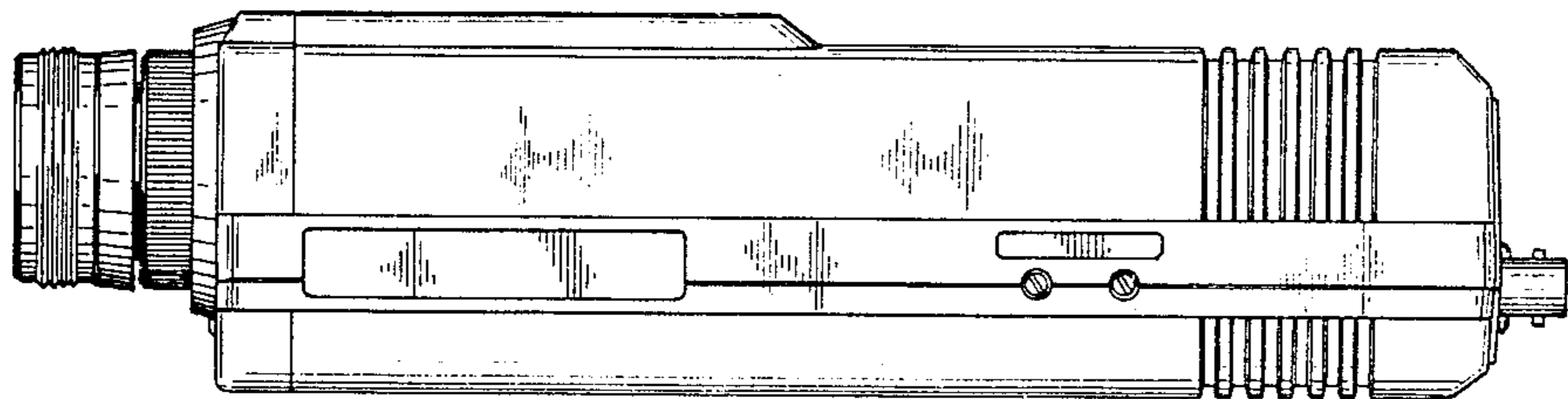


FIG. 5

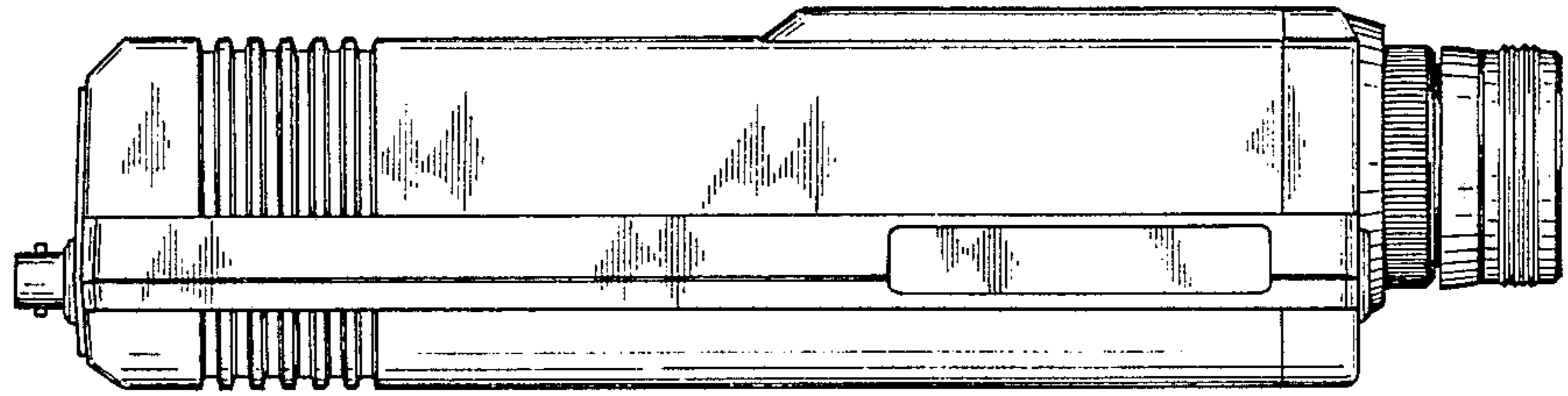


FIG. 6

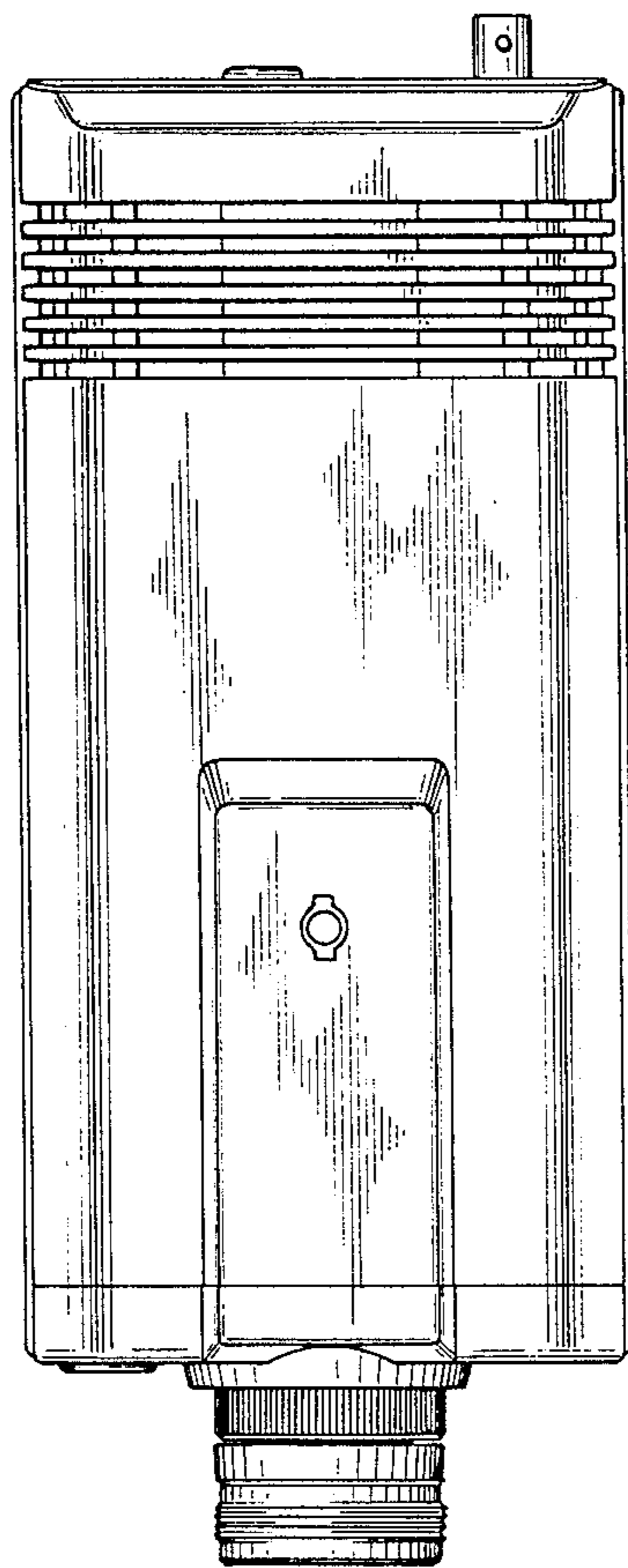


FIG. 7

