

[54] DESIGN FOR A CYCLONE SEPARATOR

[75] Inventor: Johannes A. Stienen, Valkenburg, Netherlands

[73] Assignee: Stamicarbon B.V., Geleen, Netherlands

[\*\*] Term: 14 Years

[21] Appl. No.: 898,671

[22] Filed: Aug. 21, 1986

[30] Foreign Application Priority Data

Feb. 28, 1986 [XB] Benelux ..... 6091301/02

[52] U.S. Cl. .... D15/147

[58] Field of Search ..... D15/147, 199; 209/199

[56] References Cited

U.S. PATENT DOCUMENTS

D. 271,879 12/1983 Neilson ..... D15/147

D. 280,628 9/1985 Besson ..... D15/147

D. 294,363 2/1988 Donhauser ..... D15/147

OTHER PUBLICATIONS

Torit Dust Collector Catalogue, (1957), p. 9To, FB Series, Cyclone Separator.

Primary Examiner—Wallace R. Burke  
Assistant Examiner—Brian N. Vinson  
Attorney, Agent, or Firm—Cushman, Darby & Cushman

[57] CLAIM

The ornamental design for a cyclone separator, as shown and described.

DESCRIPTION

FIG. 1 is a front elevational view of a cyclone separator showing my new design;

FIG. 2 is a rear elevational view thereof;

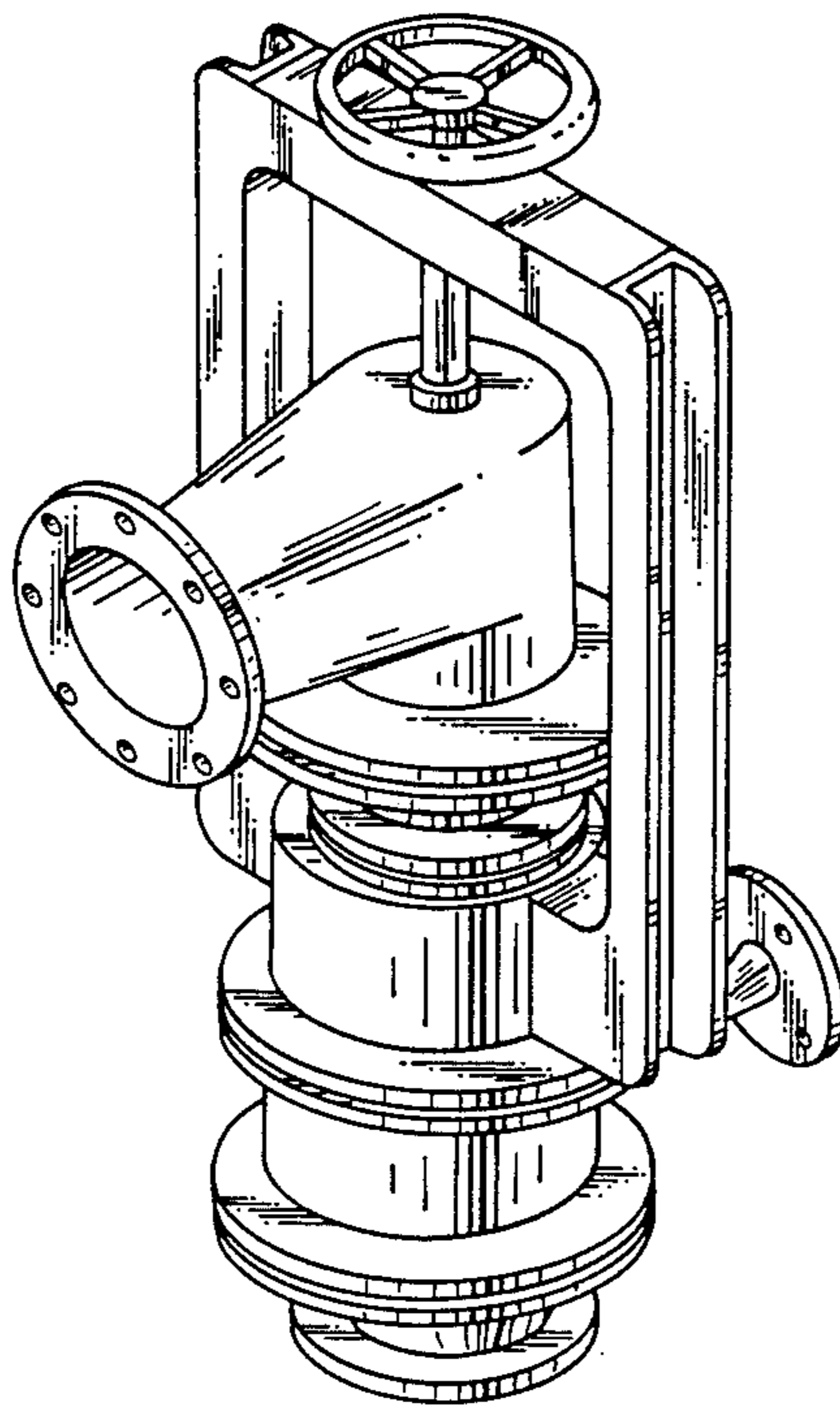
FIG. 3 is a right side elevational view thereof, the left side being a mirror image of that shown;

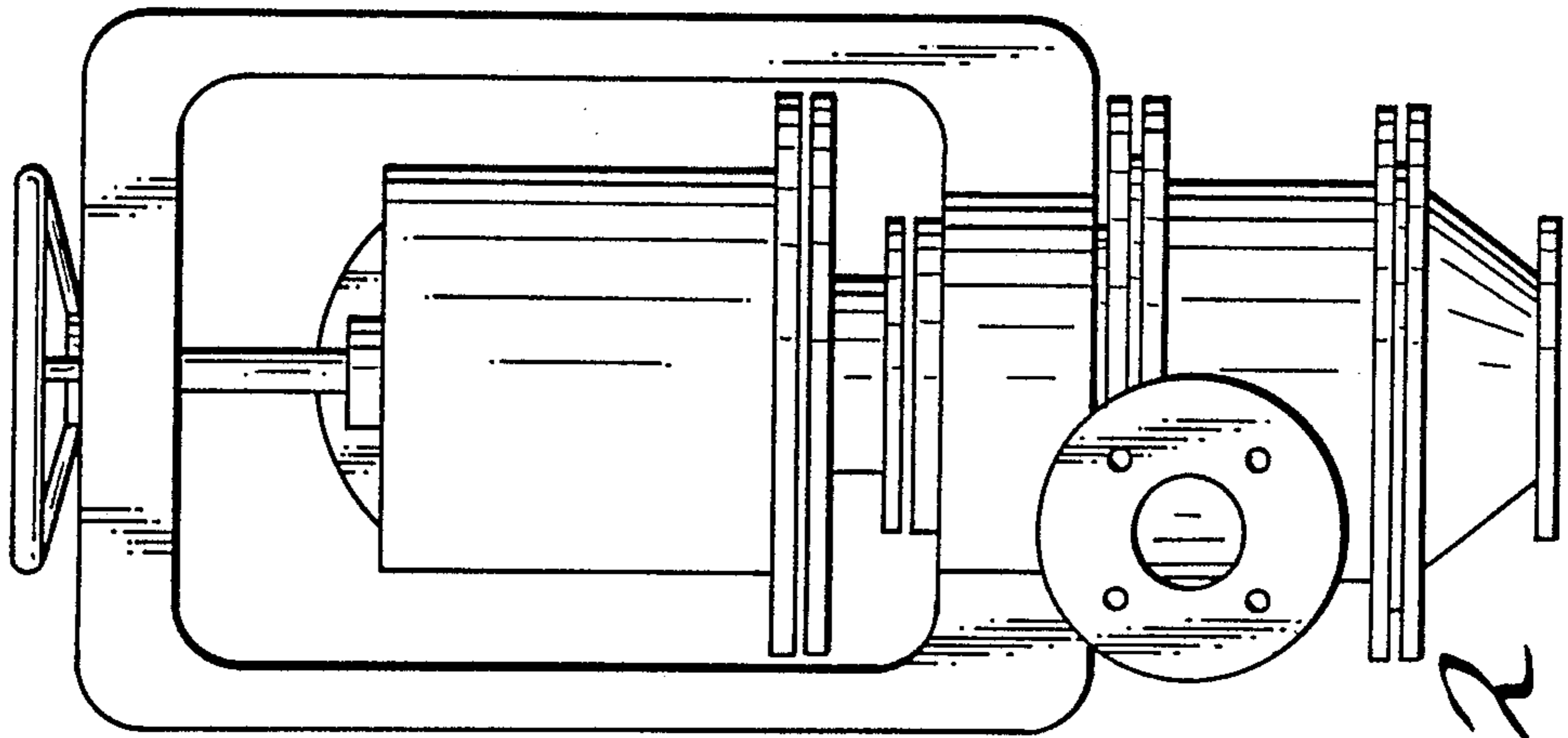
FIG. 4 is a vertical cross-sectional view thereof, taken along line 4—4 of FIG. 1;

FIG. 5 is a top plan view thereof;

FIG. 6 is a bottom plan view thereof; and

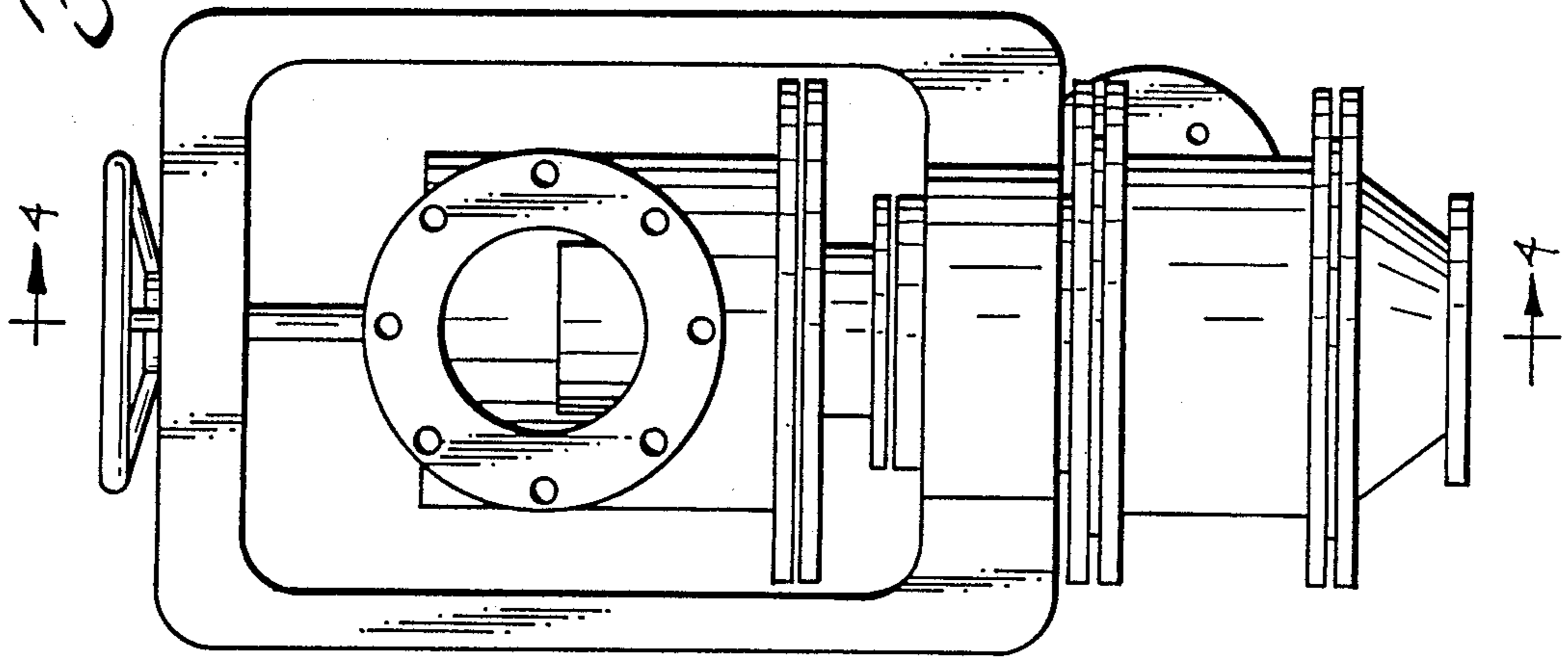
FIG. 7 is a perspective view thereof.

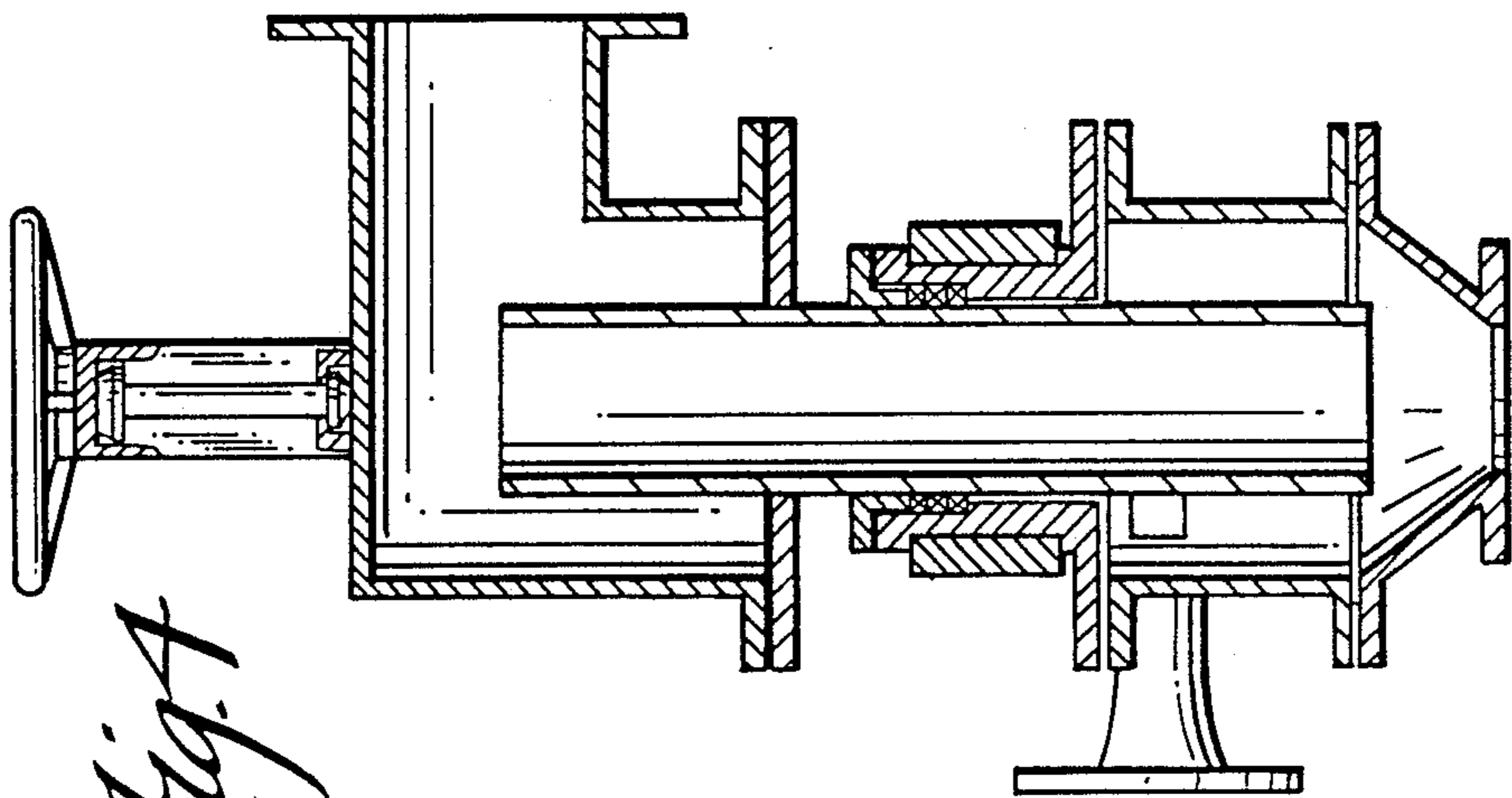




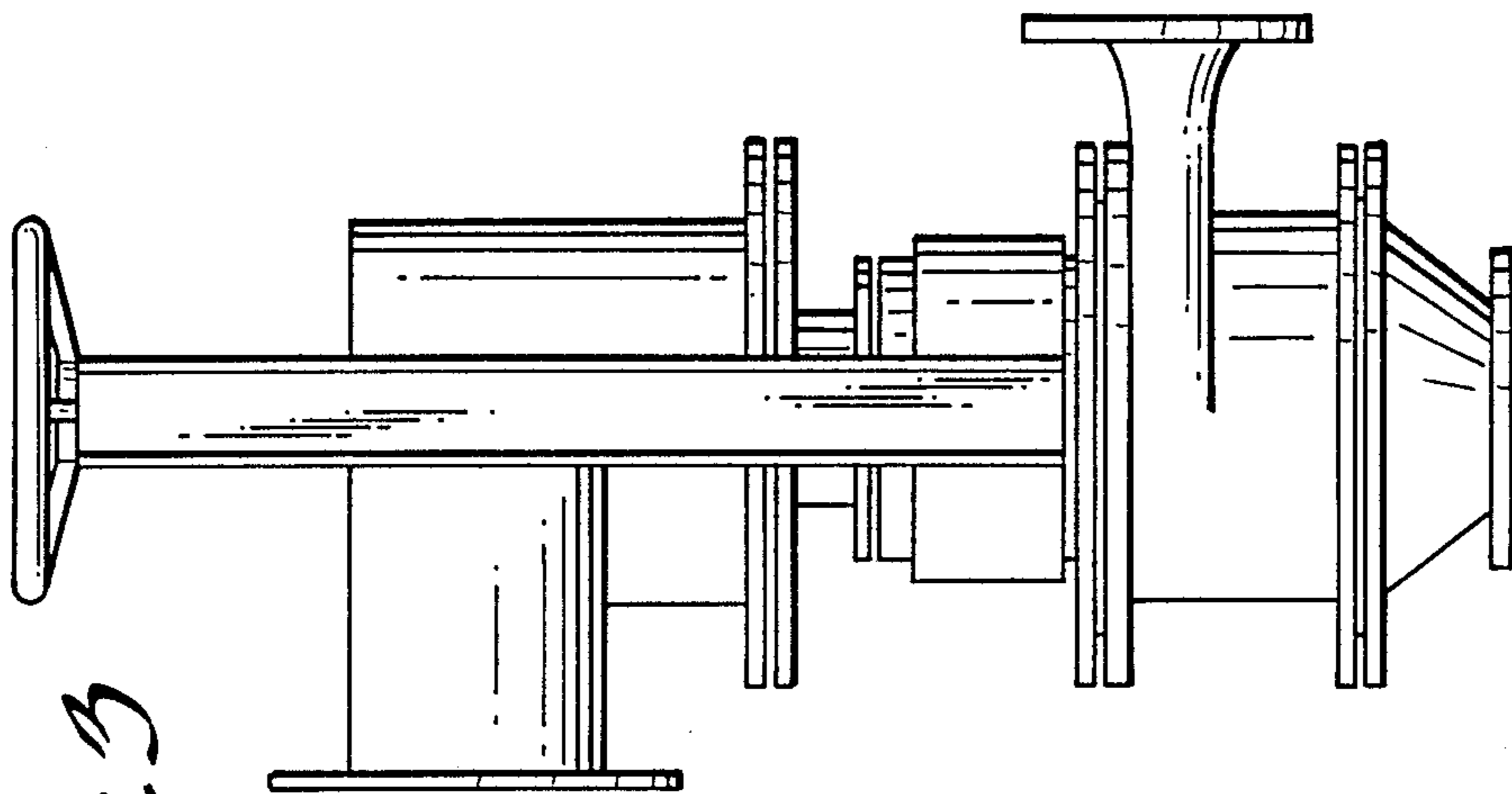
*Fig. 2*

*Fig. 1*



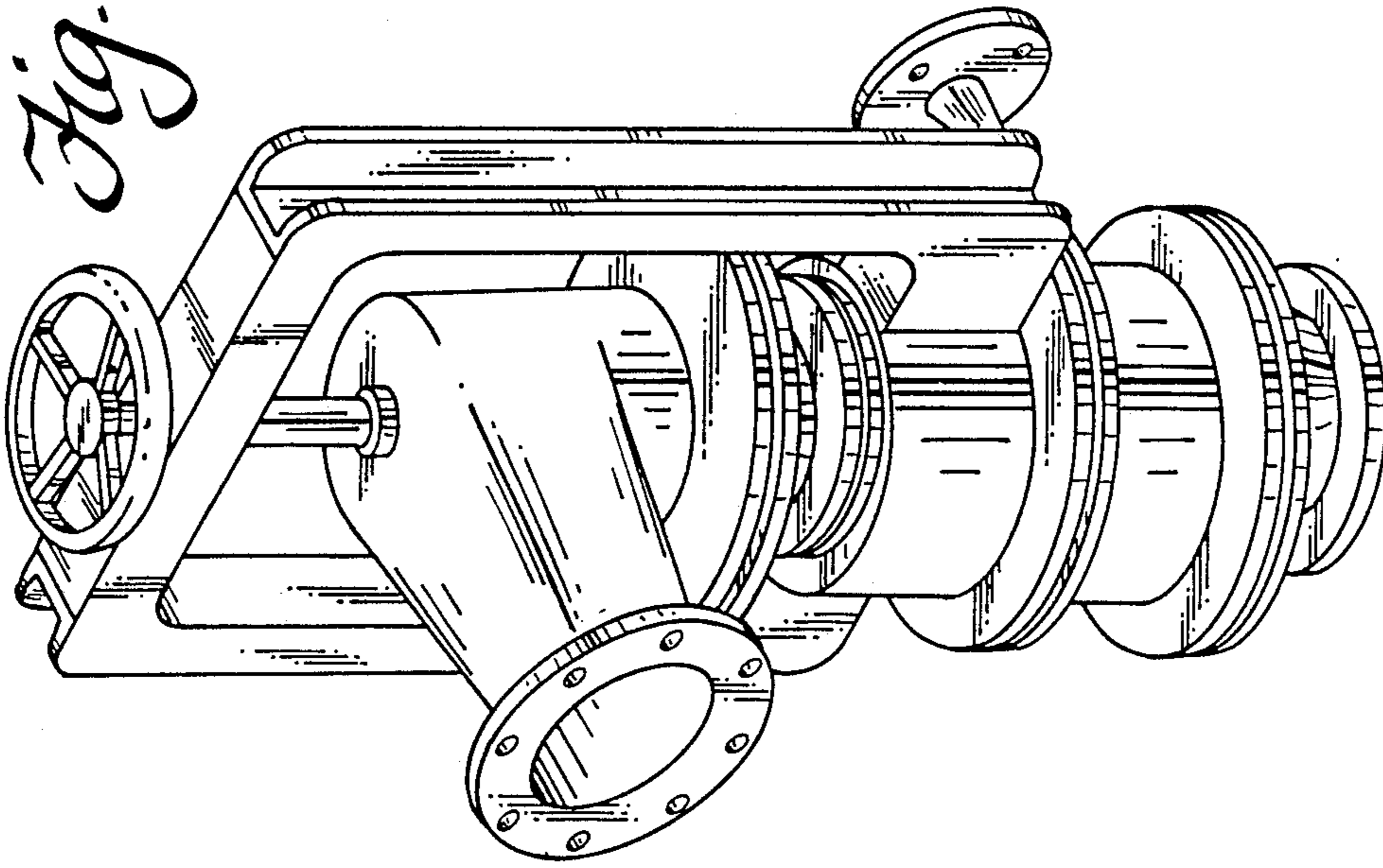


*Fig. 4*

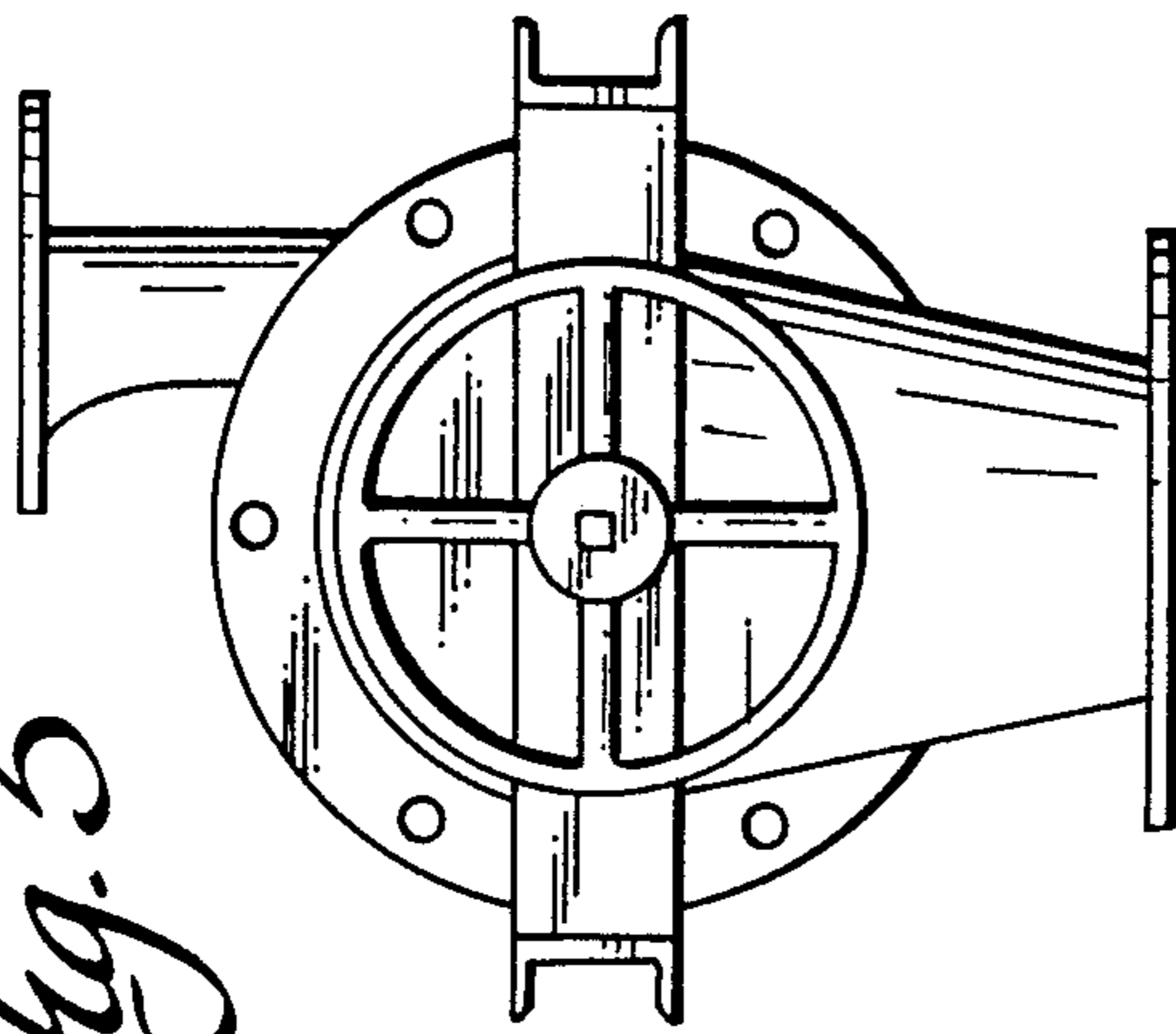


*Fig. 5*

*Fig. 7*



*Fig. 5*



*Fig. 6*

