

United States Patent [19]

Adolfo

[11] Patent Number: **Des. 303,670**

[45] Date of Patent: **** Sep. 26, 1989**

[54] **AIR COMPRESSOR**

[75] Inventor: **Boldrini Adolfo, Milan, Italy**

[73] Assignee: **Ing. Enea Mattei S.p.A., Milan, Italy**

[**] Term: **14 Years**

[21] Appl. No.: **76,561**

[22] Filed: **Jul. 21, 1987**

[30] **Foreign Application Priority Data**

Feb. 2, 1987 [IT] Italy 20717/87[U]

[52] U.S. Cl. **D15/9**

[58] Field of Search D15/7, 9; 417/321, 405, 417/416, 410, 420, 423 R, 572; 415/DIG. 6

[56] **References Cited**

U.S. PATENT DOCUMENTS

D. 245,005 7/1977 Carter D8/9
D. 270,733 9/1983 Davis D8/9

D. 282,546 2/1986 Ozu et al. D8/9
D. 294,361 2/1988 Williams D8/9
3,476,309 11/1969 Harlin 417/572

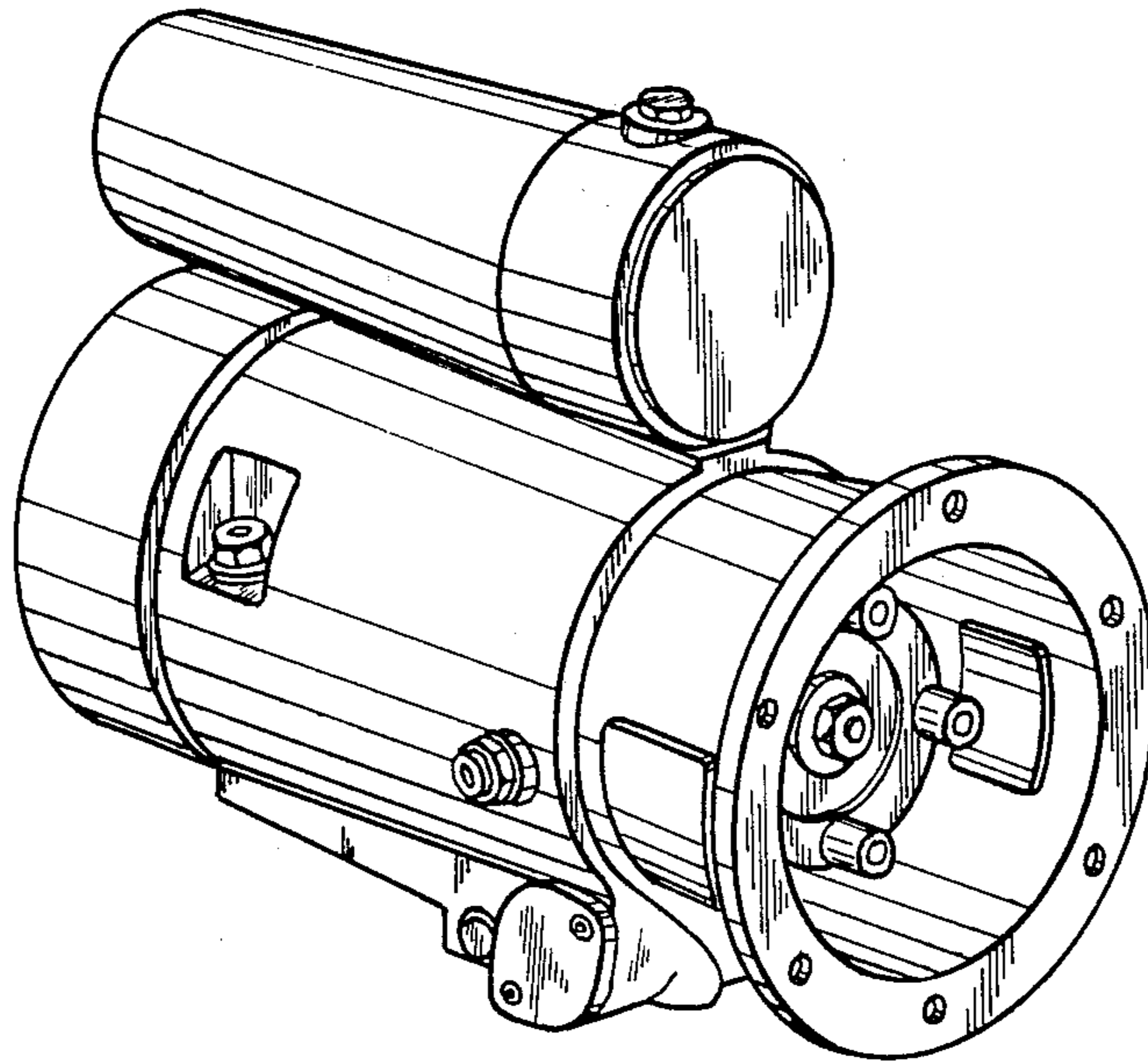
Primary Examiner—Wallace R. Burke
Assistant Examiner—Brian N. Vinson
Attorney, Agent, or Firm—Beveridge, DeGrandi & Weilacher

[57] **CLAIM**

The ornamental design for an air compressor, as shown and described.

DESCRIPTION

FIG. 1 is a top, rear and right side perspective view of an air compressor showing my new design;
FIG. 2 is a top, front and right side perspective view thereof;
FIG. 3 is a right side elevational view thereof, the undisclosed left side being a mirror image of that shown; and
FIG. 4 is a front elevational view thereof.



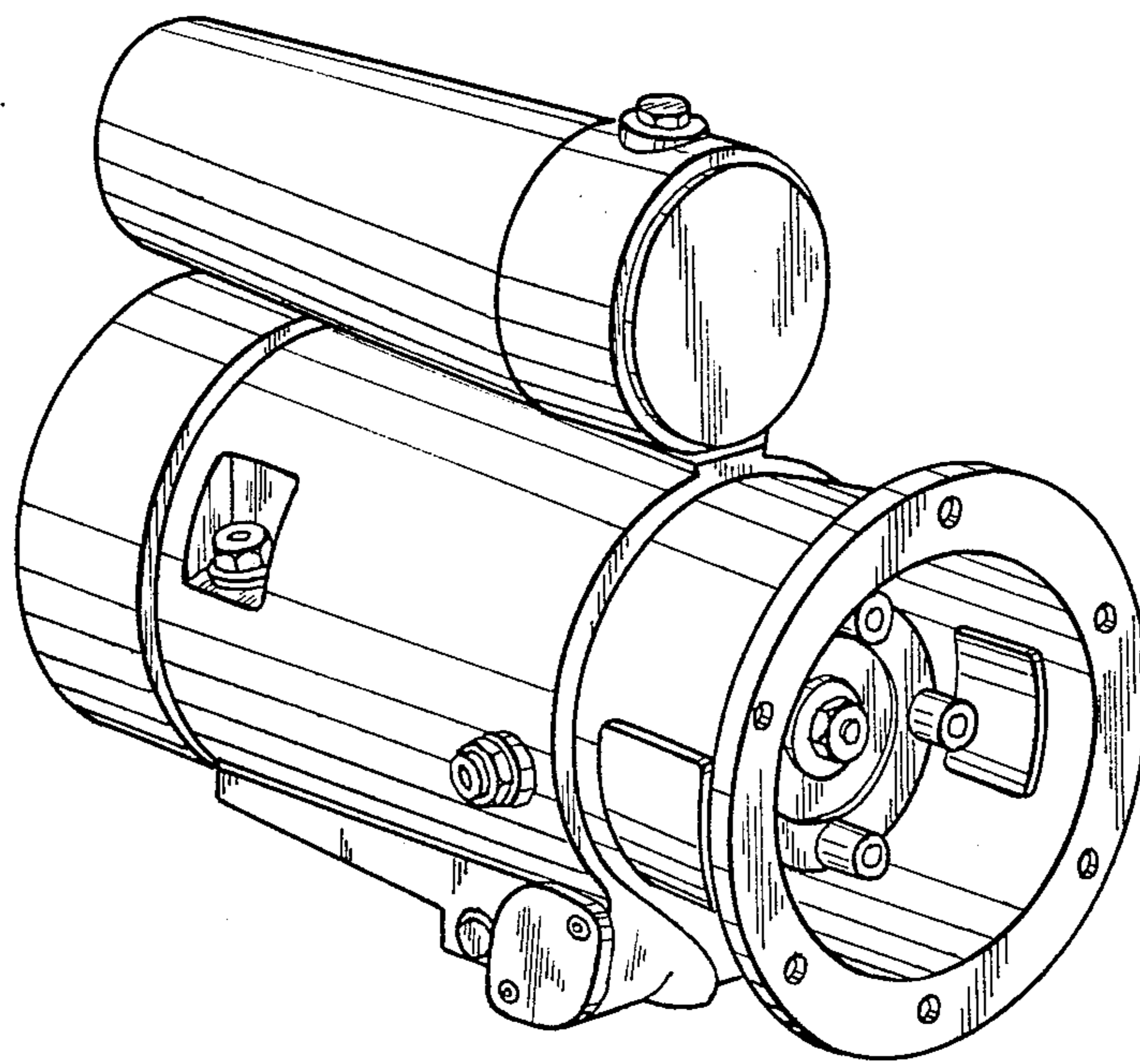


Fig. 1

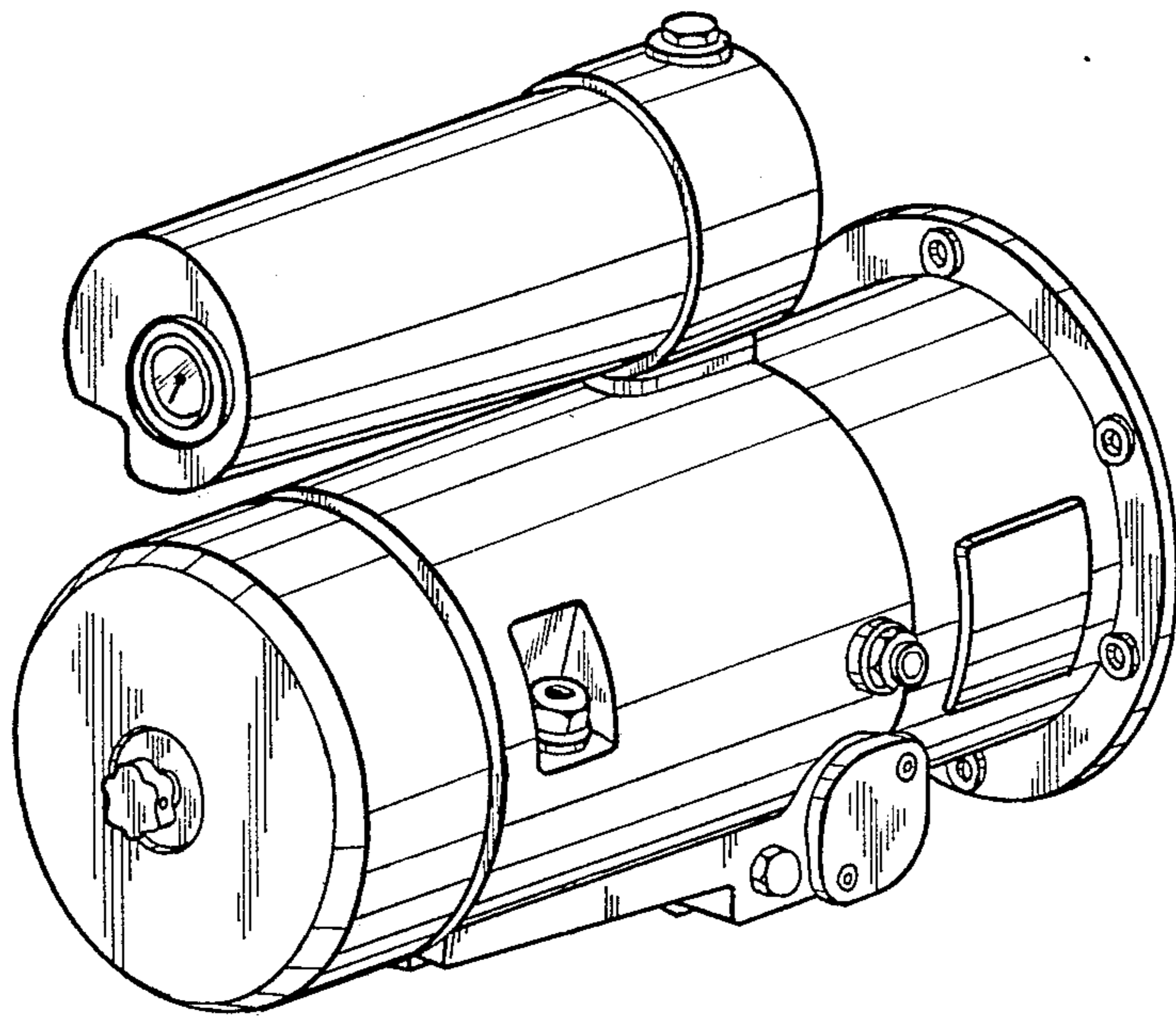


Fig. 2

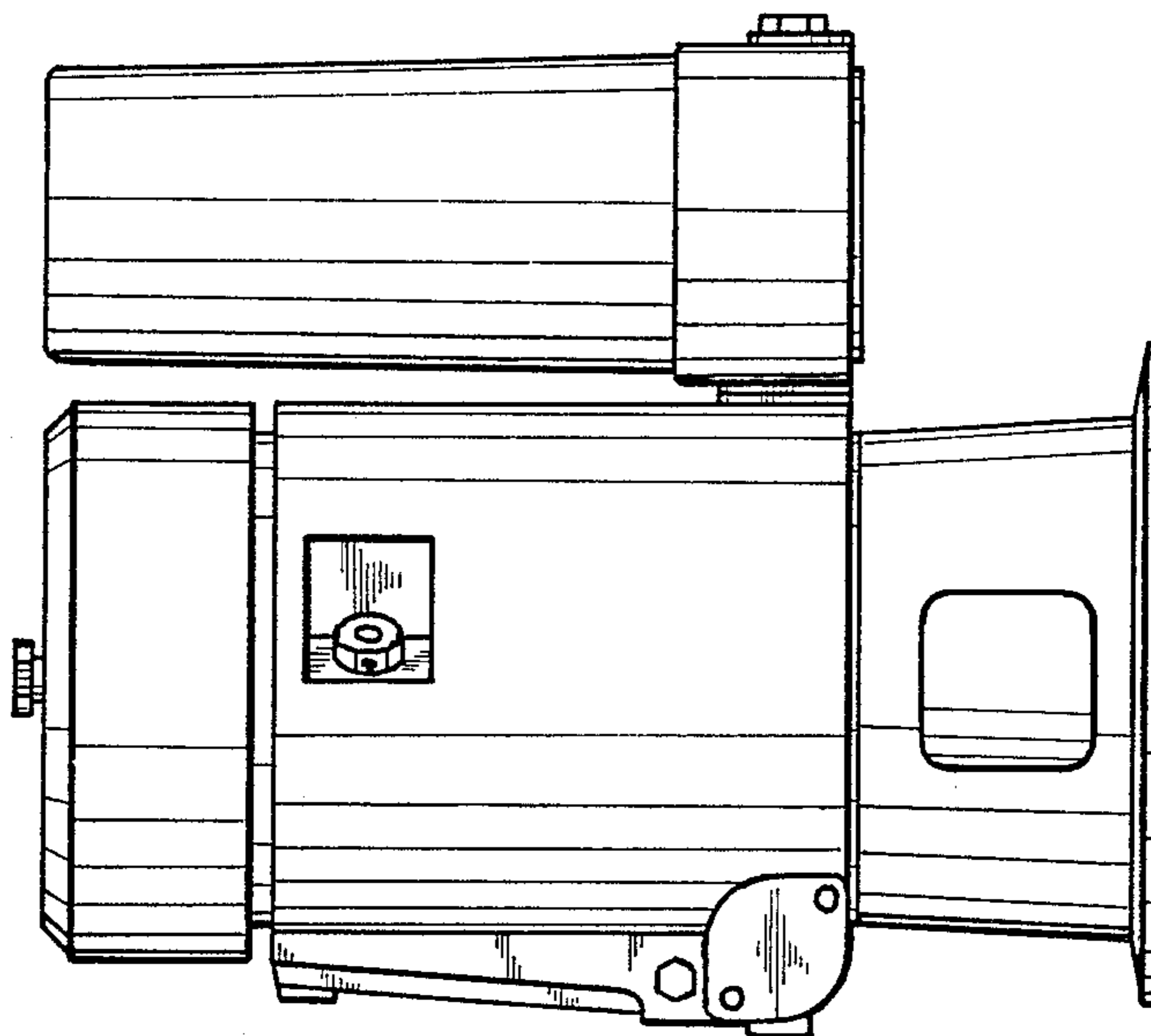


Fig. 3

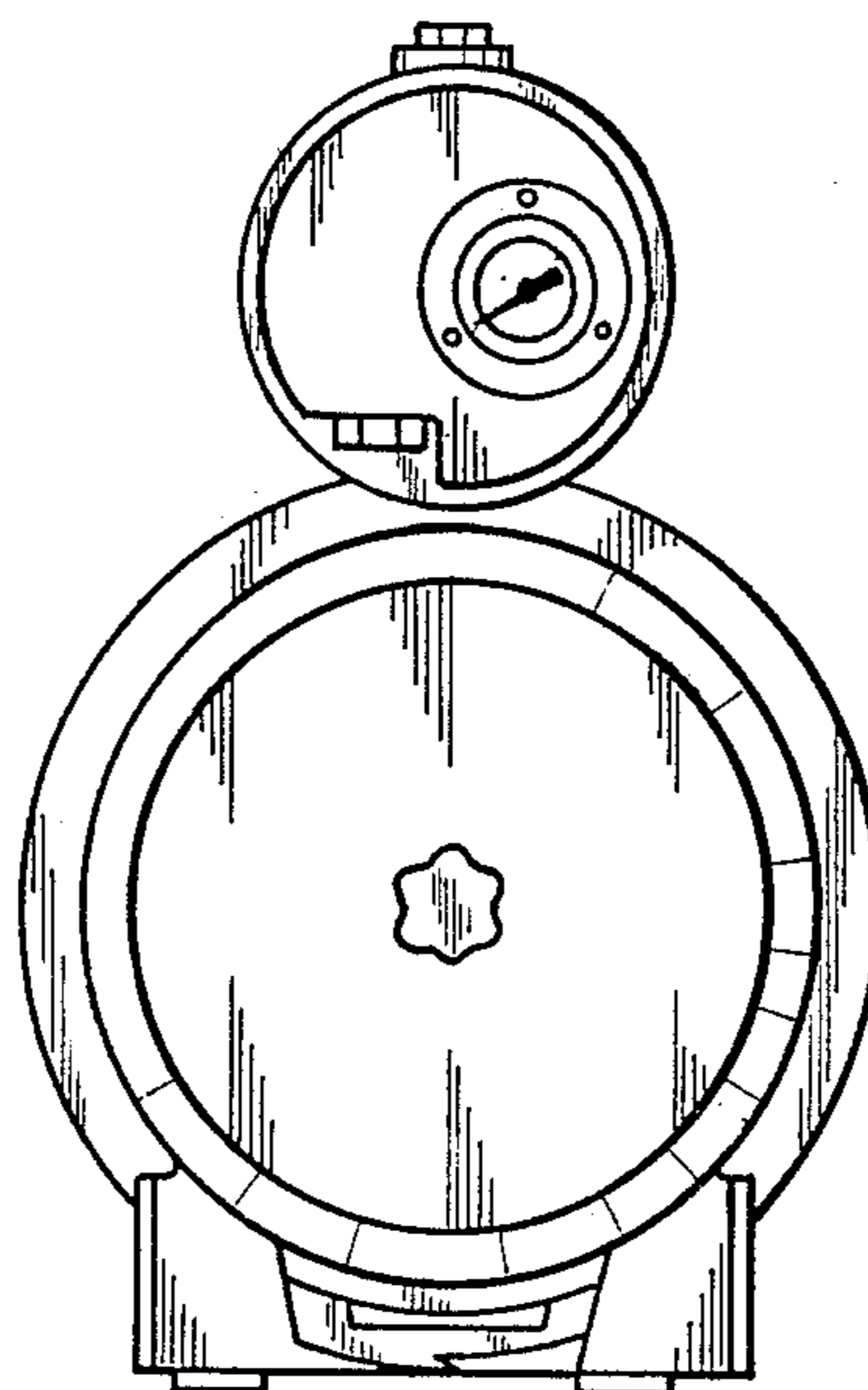


Fig. 4