

[54] TELEPHONE

[75] Inventor: Siu F. Kwan, Kowloon, Hong Kong

[73] Assignee: National Telecommunication System Limited, Hong Kong, Hong Kong

[\*\*] Term: 14 Years

[21] Appl. No.: 216,993

[22] Filed: Jul. 11, 1988

[30] Foreign Application Priority Data

Jan. 11, 1988 [GB] United Kingdom ..... 1047629

Jan. 11, 1988 [GB] United Kingdom ..... 1047630

[52] U.S. Cl. .... D14/149; D14/142

[58] Field of Search ..... D14/150, 151, 149, 141; 379/419, 420, 428, 432, 433, 434, 435, 436, 440

[56] References Cited

U.S. PATENT DOCUMENTS

- D. 262,879 2/1982 Marshall ..... D14/150
- D. 268,579 9/1983 Marshall ..... D14/149
- D. 274,330 6/1984 Winkler ..... D14/151
- D. 279,894 7/1985 Marshall ..... D14/150
- D. 282,927 3/1986 Storey et al. .... D14/150
- D. 283,421 5/1986 Brier ..... D14/150
- D. 283,708 5/1986 Tamura ..... D14/151
- D. 284,962 8/1986 Hova ..... D14/149
- D. 287,245 12/1986 Todeshiri ..... D14/150
- D. 287,587 1/1987 Perkins ..... D14/150
- D. 290,353 6/1987 Kawano et al. .... D14/150

- D. 292,798 11/1987 Wu ..... D14/150
- D. 294,693 3/1988 Wu ..... D14/150
- D. 294,825 3/1988 Coons et al. .... D14/150
- D. 299,644 1/1989 Ohta et al. .... D14/149
- D. 299,645 1/1989 Ohta et al. .... D14/149

OTHER PUBLICATIONS

Evans 1987-88 Catalog: at p. 292; "Unisonic" Models 7-9.

Primary Examiner—Horace B. Fay, Jr.  
Attorney, Agent, or Firm—Donald Brown

[57] CLAIM

The ornamental design for a telephone, as shown and described.

DESCRIPTION

FIG. 1 is a front elevational view of a telephone showing my new design in cradled relationship;  
 FIG. 2 is a top plan view thereof;  
 FIGS. 3 and 4 are respectively left and right side elevational views thereof;  
 FIG. 5 is a rear elevational view thereof;  
 FIG. 6 is a bottom plan view thereof;  
 FIG. 7 is a front elevational view of a second embodiment thereof;  
 FIG. 8 is a top plan view thereof;  
 FIGS. 9 and 10 are respectively left and right side elevational views thereof;  
 FIG. 11 is a rear elevational view thereof; and  
 FIG. 12 is a bottom plan view thereof.

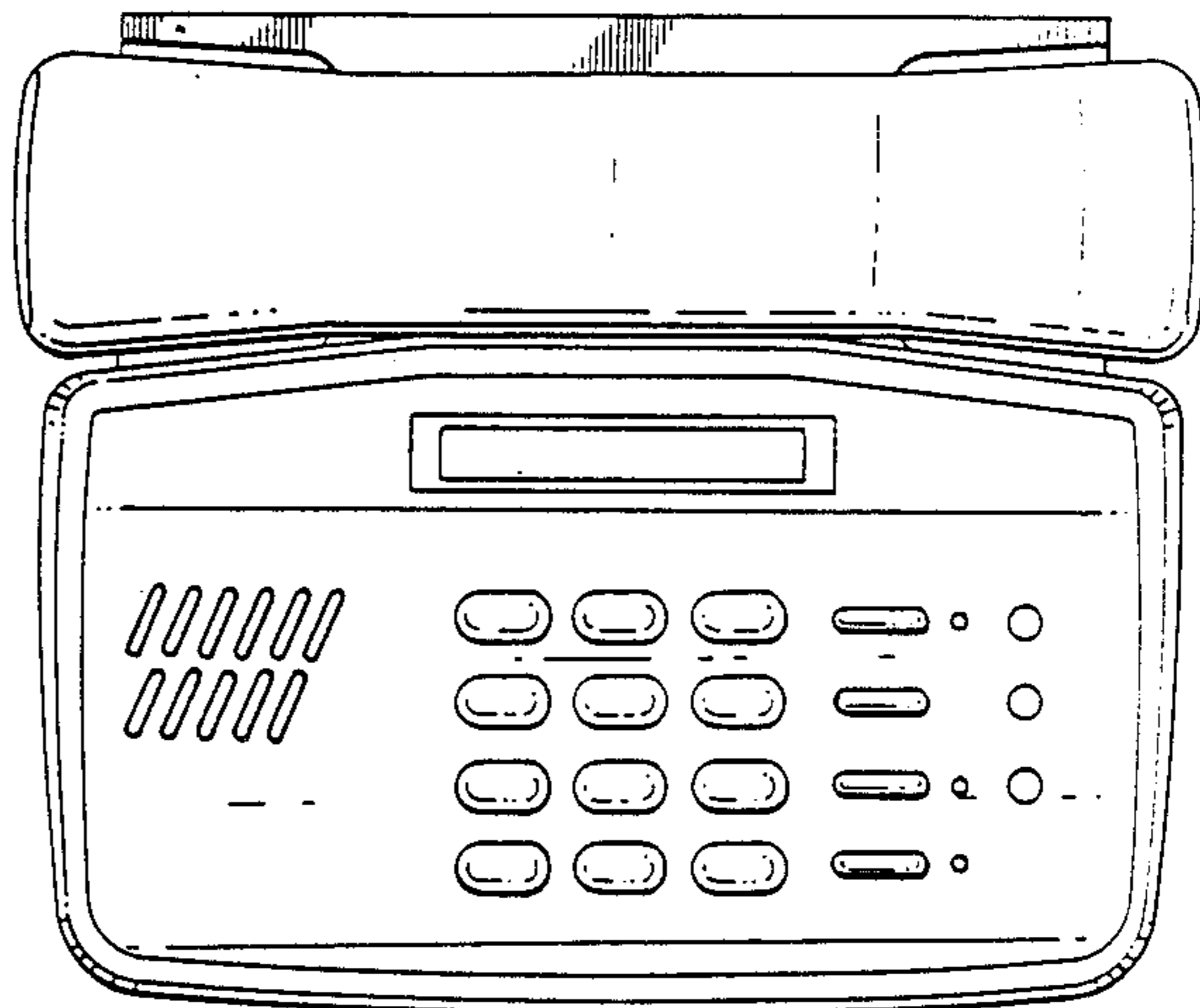
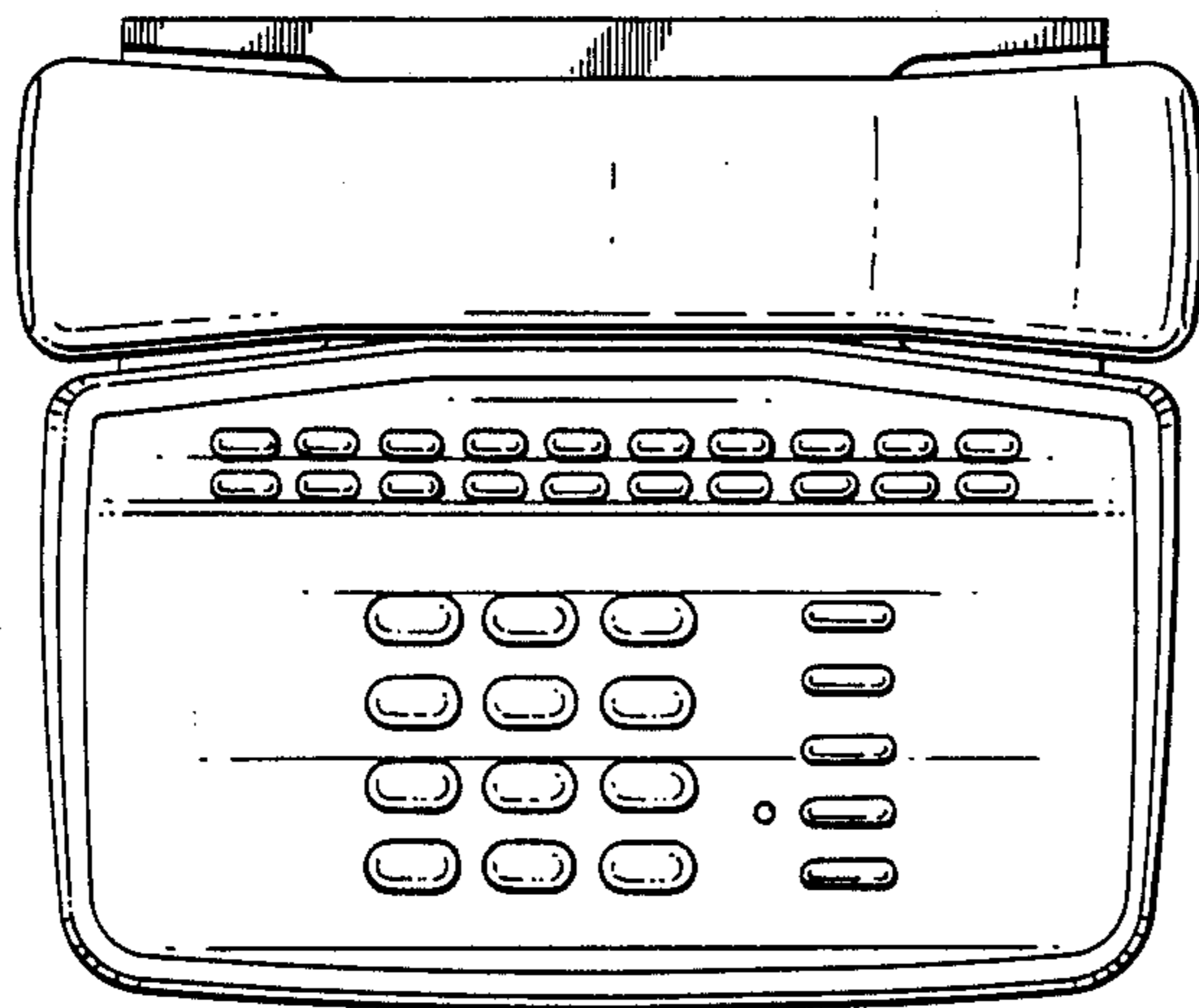


FIG. 1

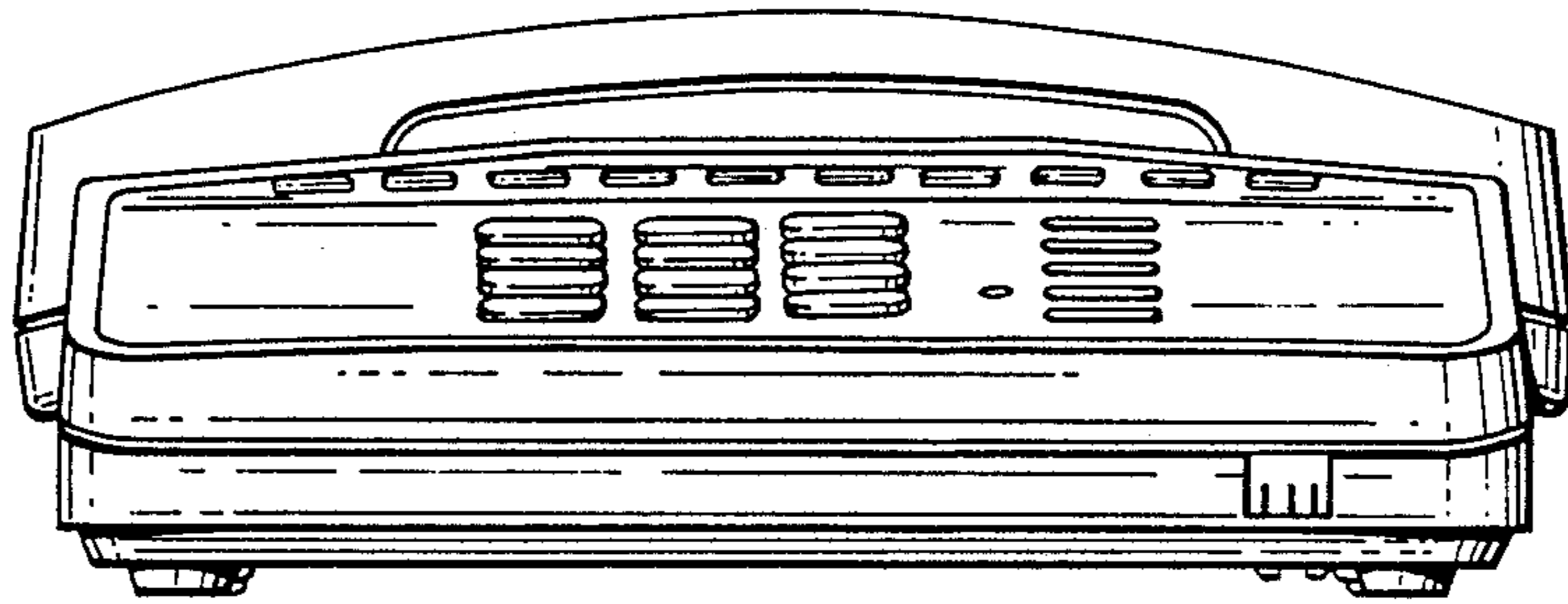


FIG. 2

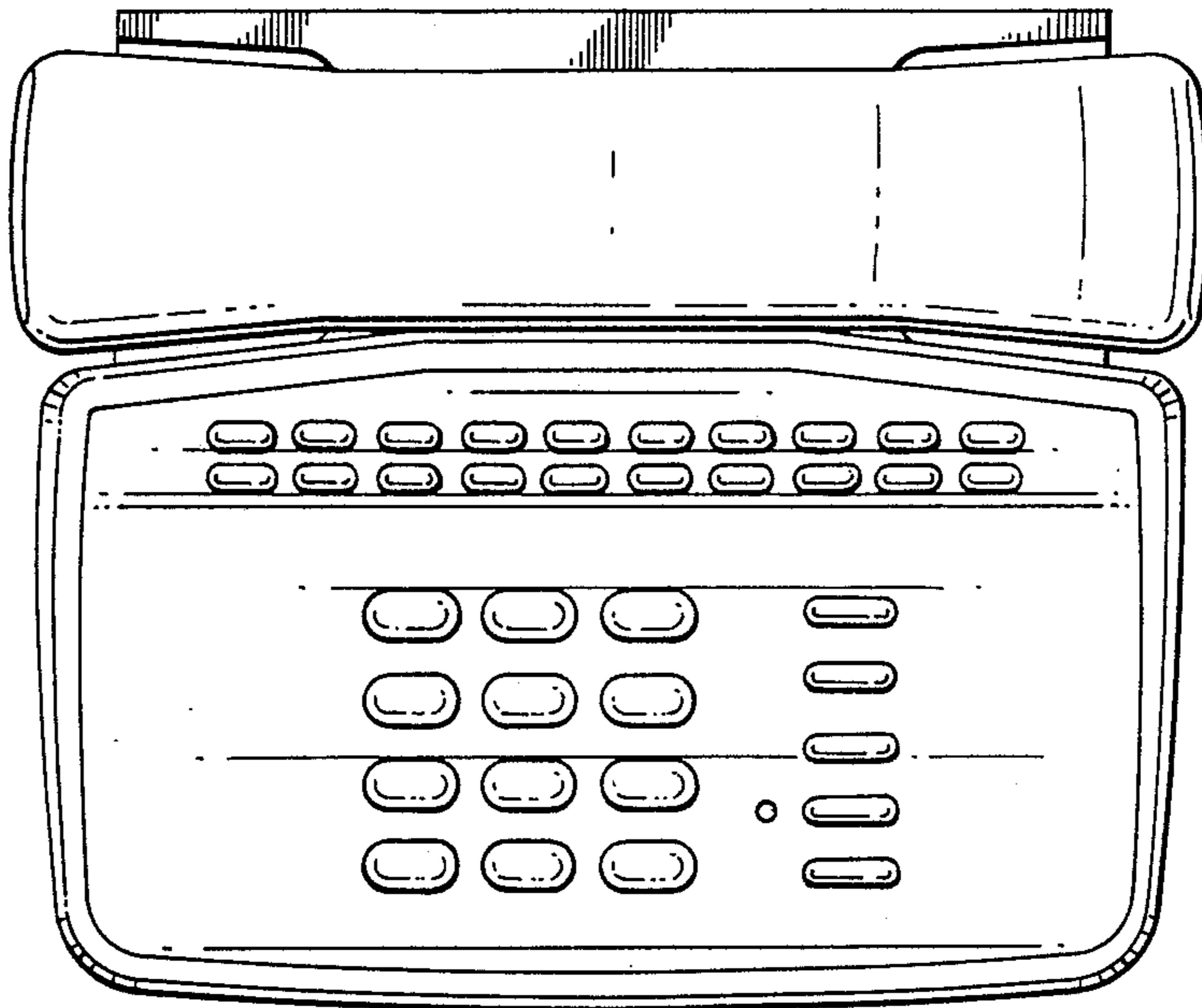


FIG. 3

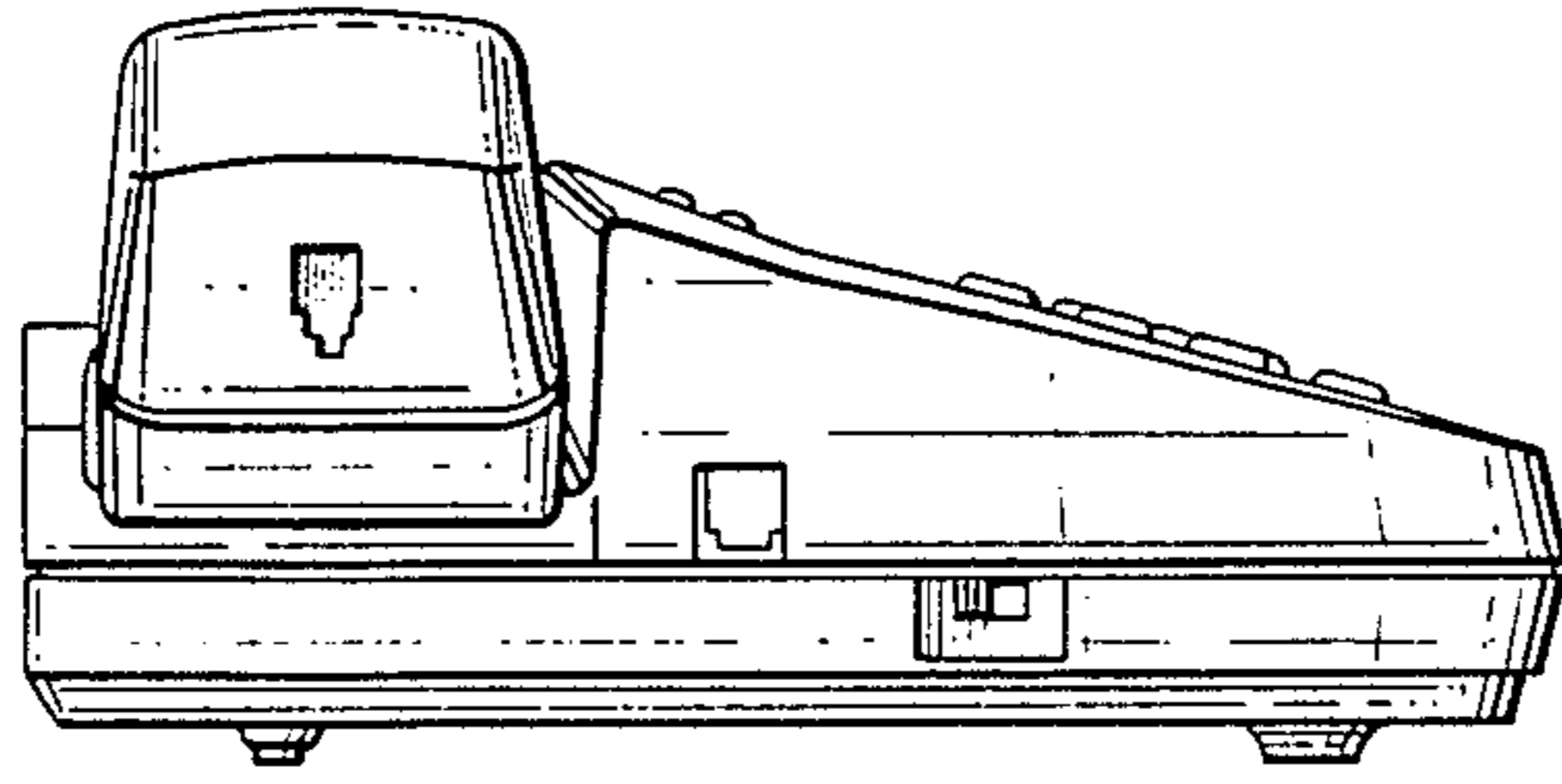


FIG. 4

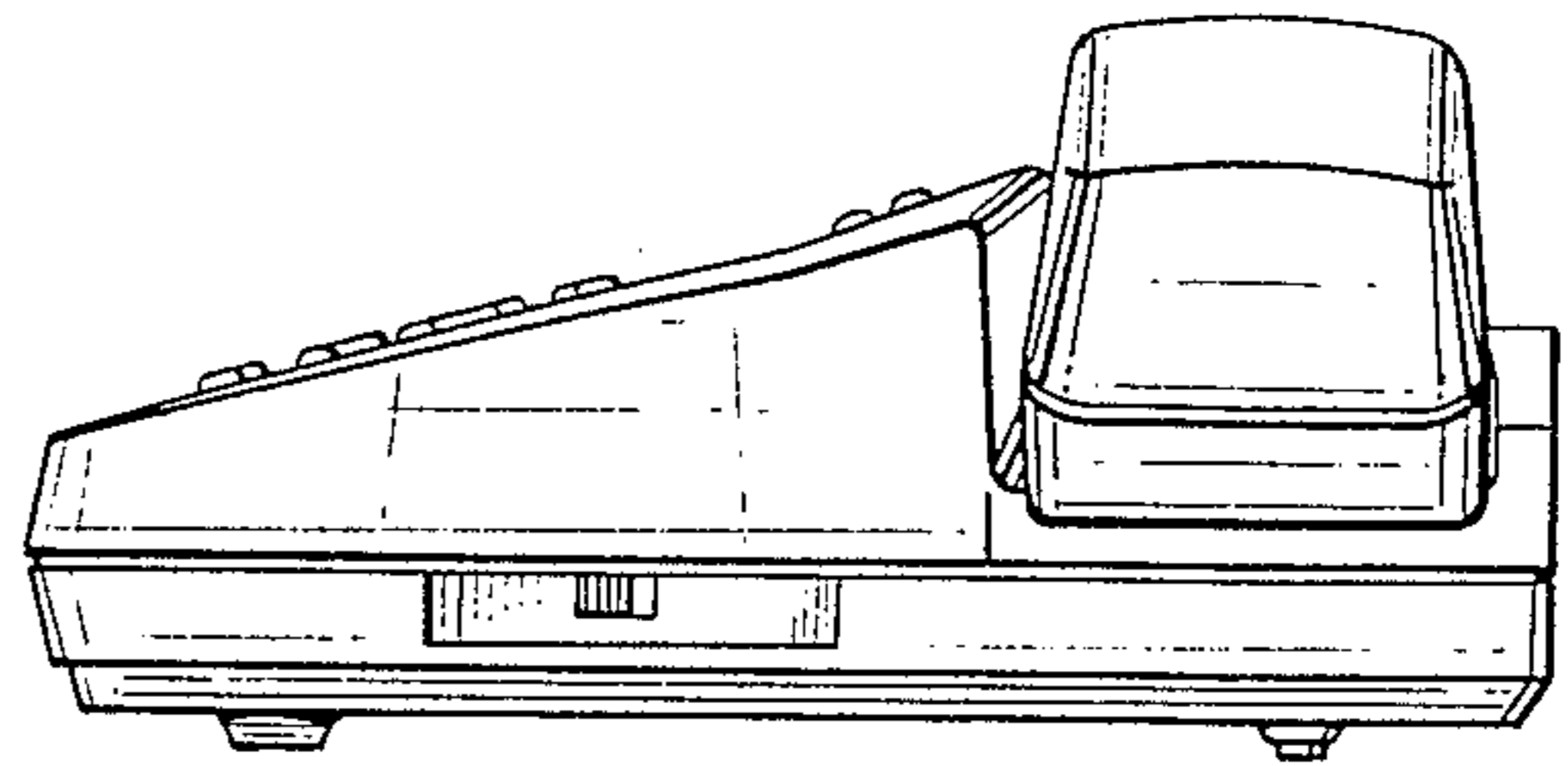


FIG. 9

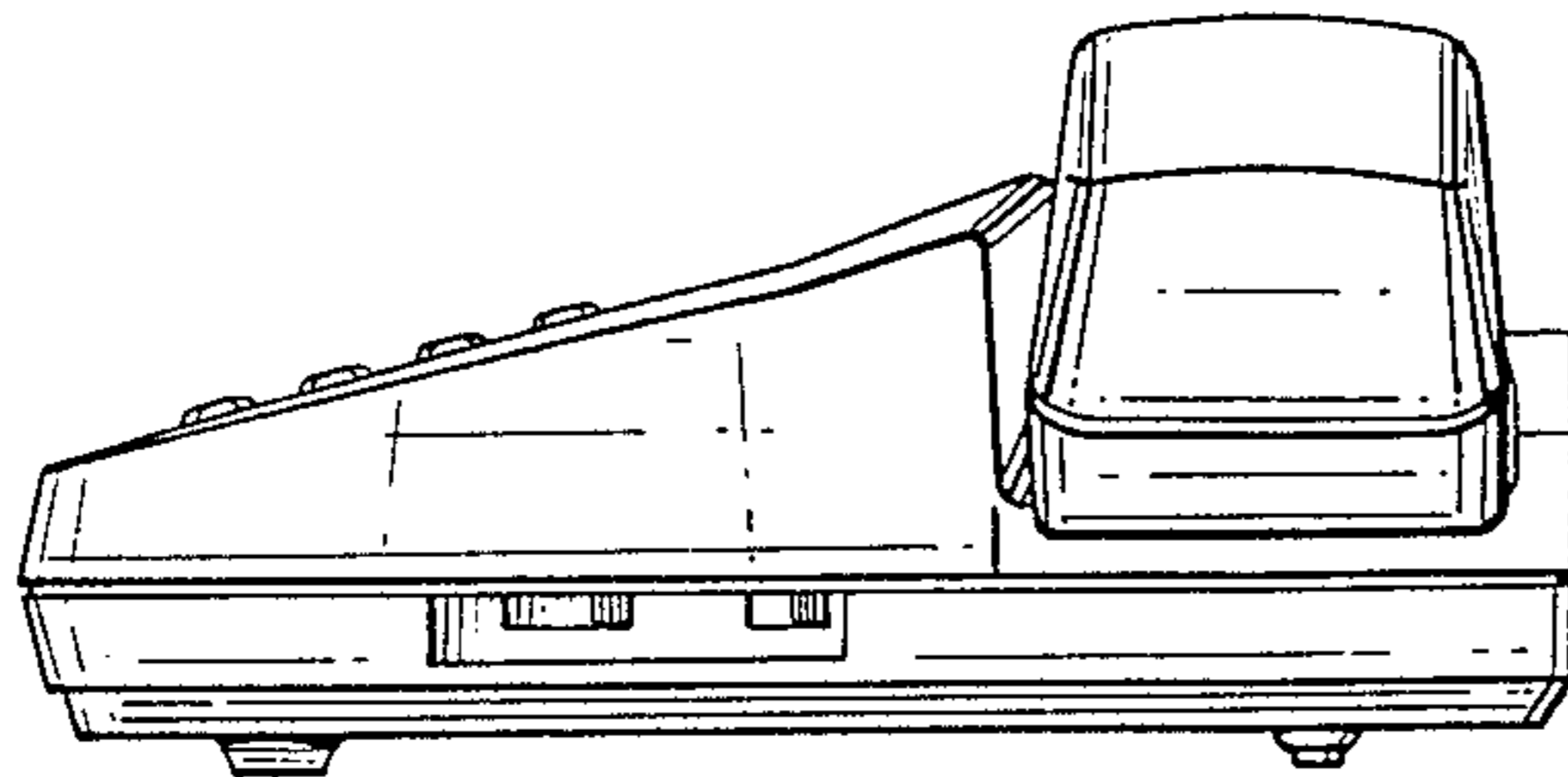


FIG. 10

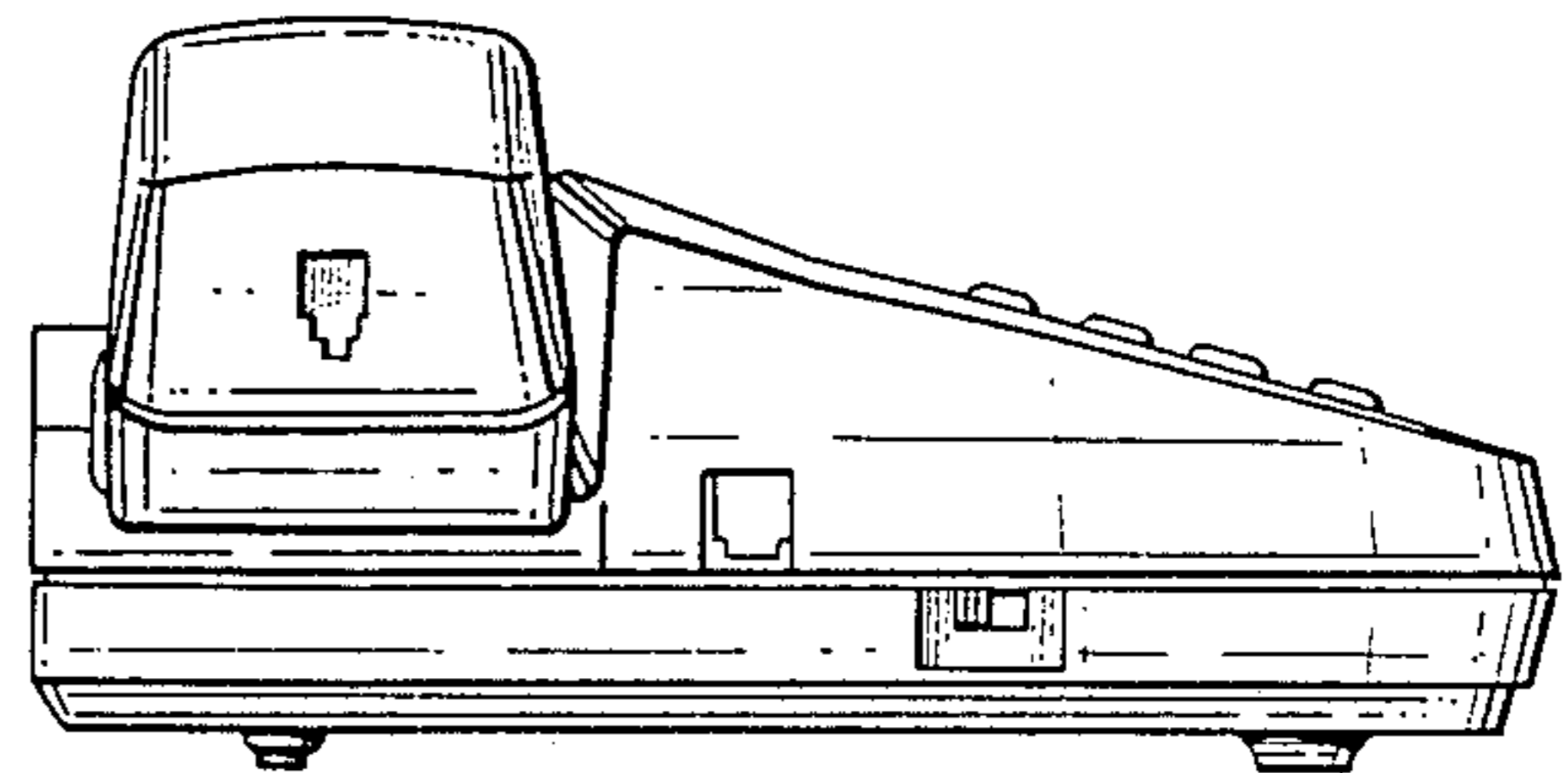


FIG. 5

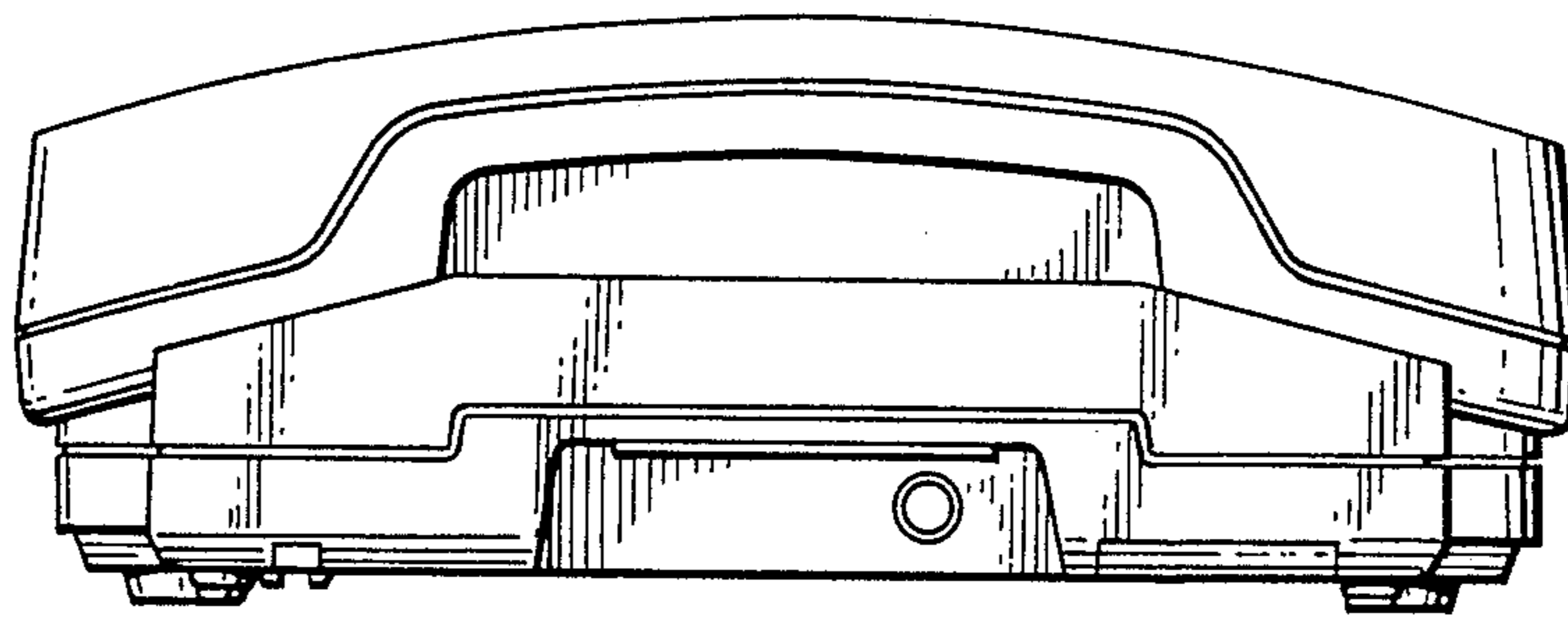


FIG. 6

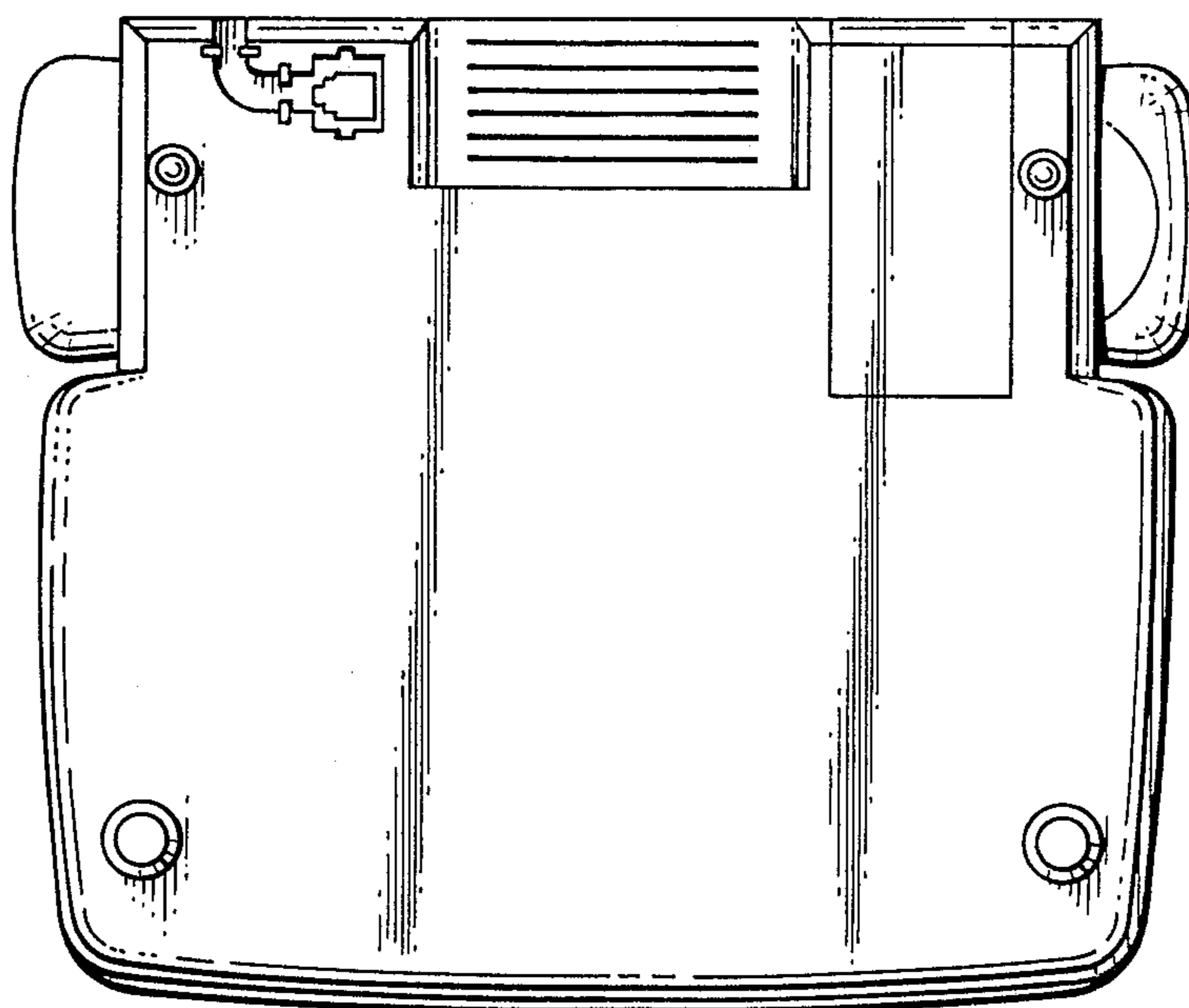


FIG. 7

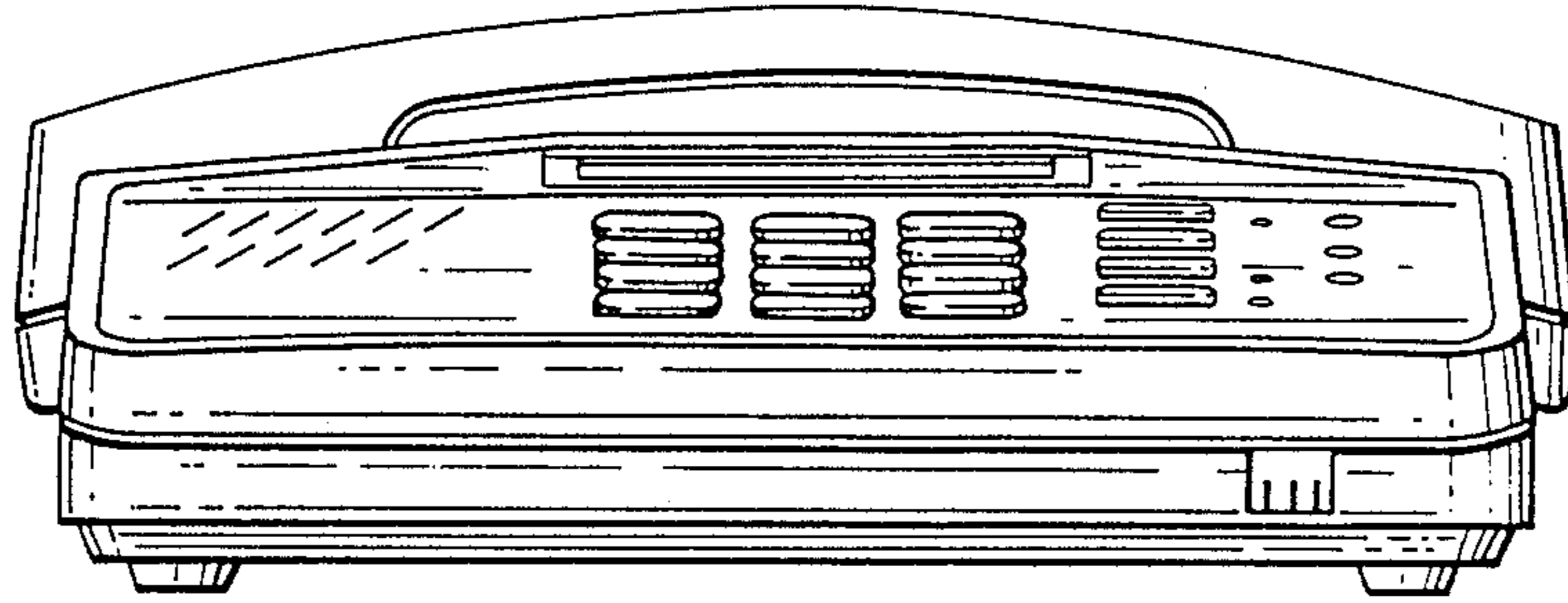


FIG. 8

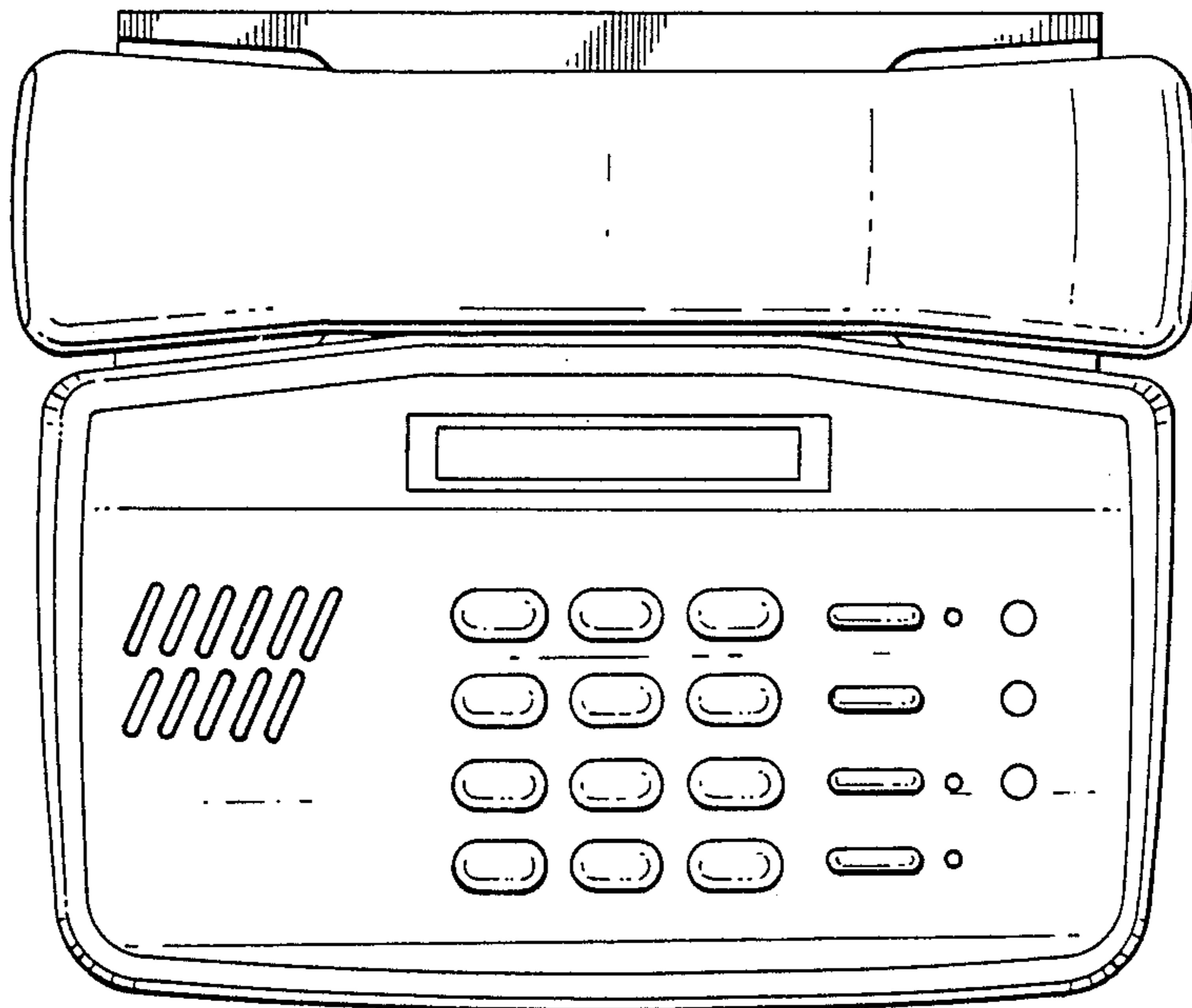


FIG. 11

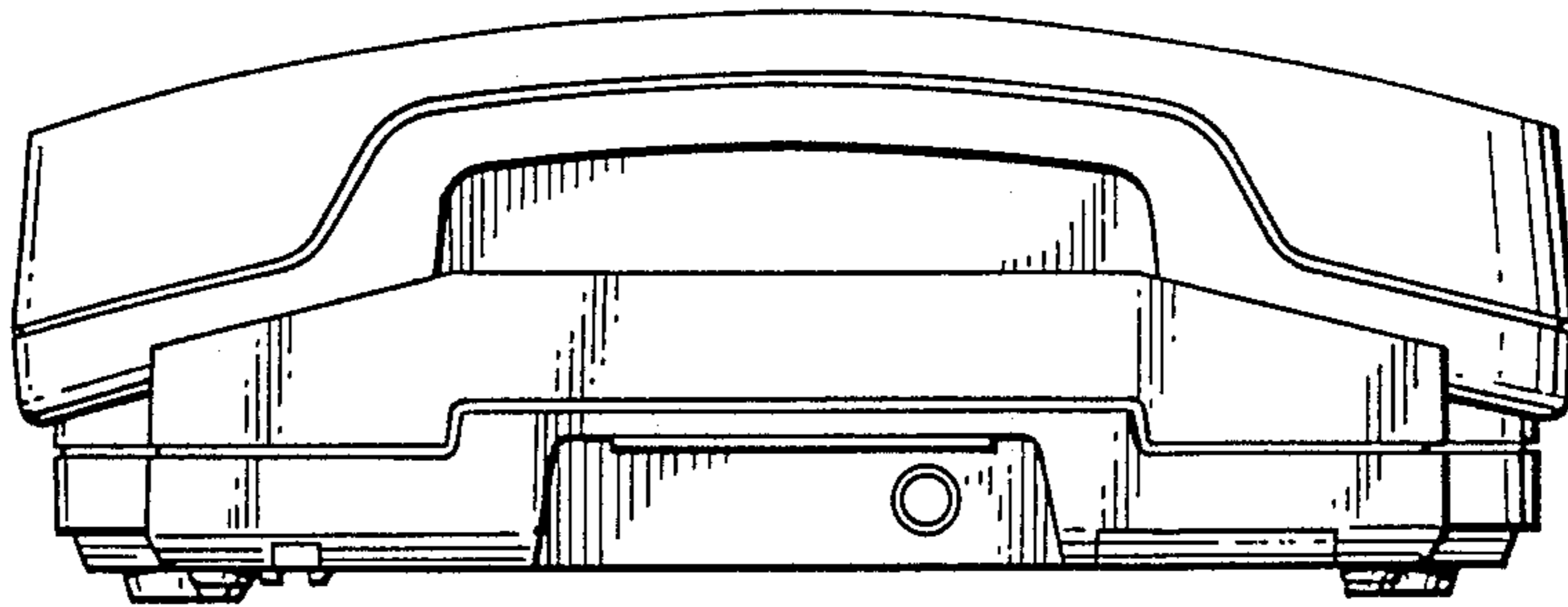


FIG. 12

