

[54] CURSOR CONTROL

[75] Inventors: Howell Hsiao, Mountain View; Herbert Pfeifer, San Jose, both of Calif.

[73] Assignee: Sun Microsystems, Inc., Mountain View, Calif.

[\*\*] Term: 14 Years

[21] Appl. No.: 154,127

[22] Filed: Feb. 9, 1988

[52] U.S. Cl. .... D14/114

[58] Field of Search ..... D14/100, 106, 107, 114, D14/116; D13/32, 38; D21/48, 153, 188, 189; 74/471 XY; 178/18, 19; 200/5 A, 5 R, 6 A, 6 R; 340/706, 709, 710, 711; 341/22, 23; 273/148 B

[56] References Cited

U.S. PATENT DOCUMENTS

- Re. 32,633 3/1988 Hovey et al. .... 340/710
- D. 284,284 6/1986 Manock et al. .... D14/114
- D. 292,600 11/1987 Wagner ..... D21/48
- 4,559,532 12/1985 Hosogoe ..... 74/471 XY X

FOREIGN PATENT DOCUMENTS

0116026 6/1985 Japan ..... 340/710

OTHER PUBLICATIONS

Personal Computer Products-Sep. 1986, p. 36-Inmac Exclusive Super Mouse, (bottom left corner).

Primary Examiner—Susan J. Lucas

Assistant Examiner—Freda S. Nunn

Attorney, Agent, or Firm—Blakely, Sokoloff, Taylor & Zafman

[57] CLAIM

The ornamental design for a cursor control, as shown.

DESCRIPTION

FIG. 1 is a top, front, right side perspective view of the cursor control showing our new design;

FIG. 2 is a top plan view thereof;

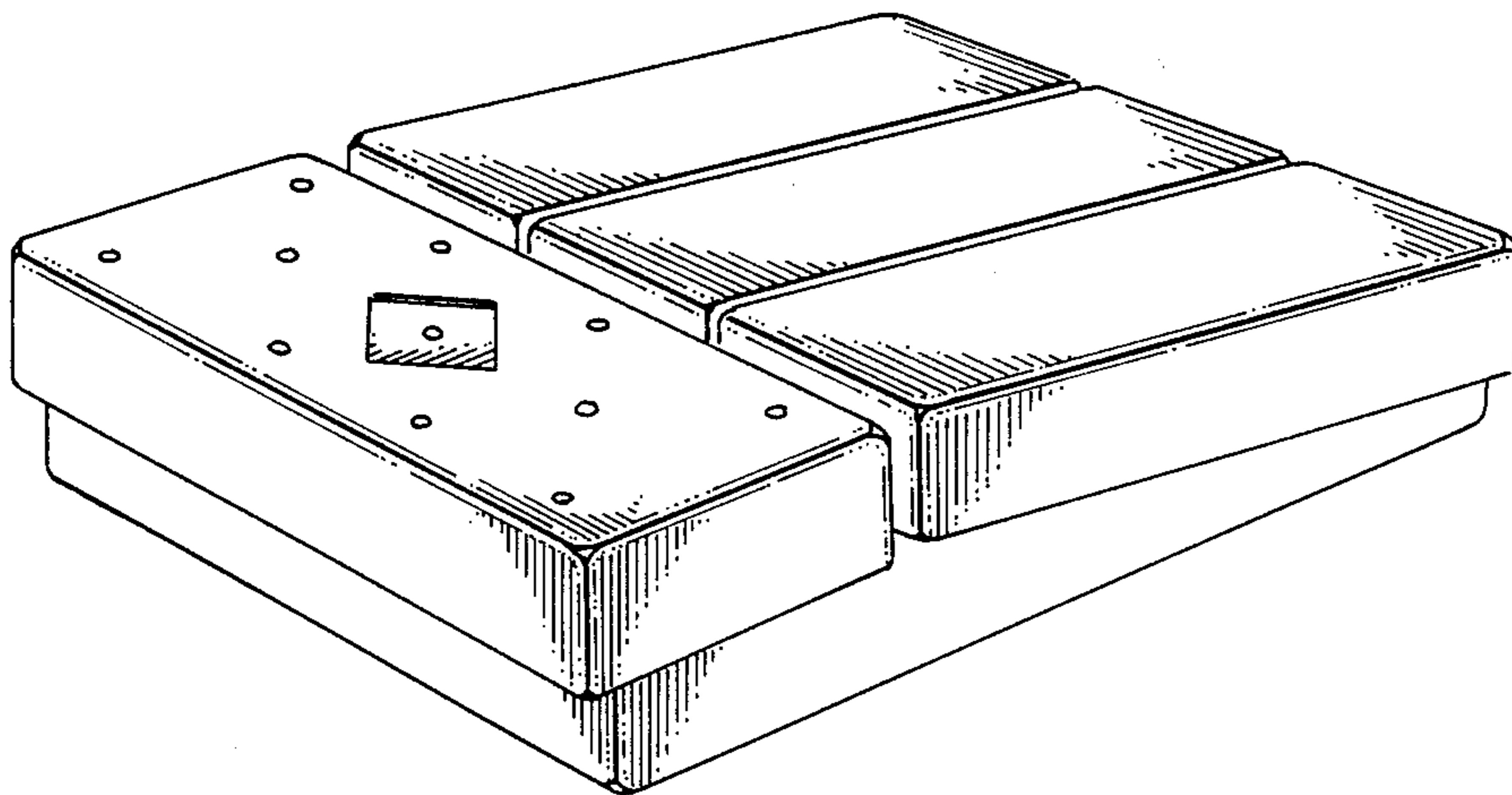
FIG. 3 is a right side elevational view thereof;

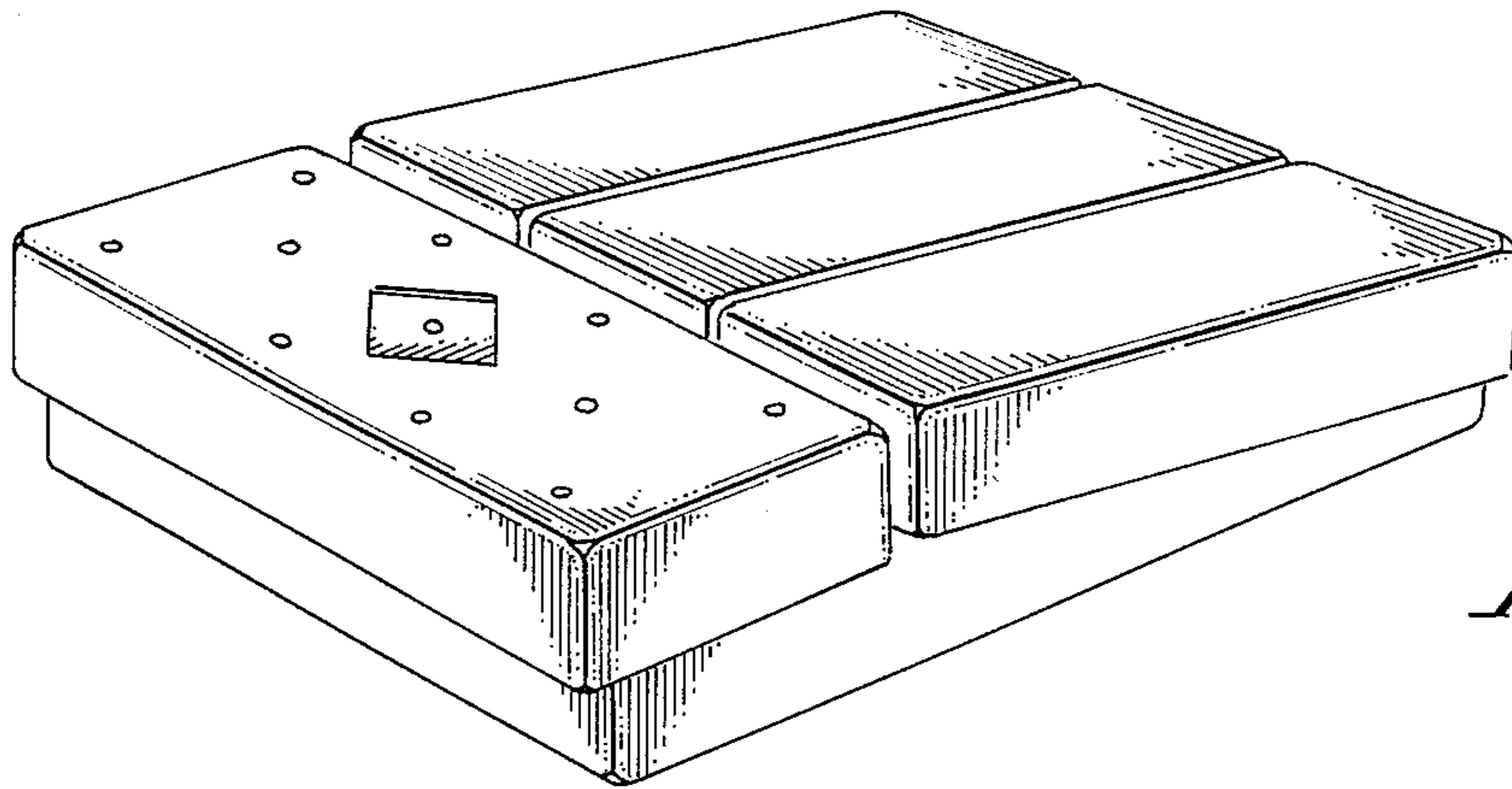
FIG. 4 is a front elevational view thereof;

FIG. 5 is a left side elevational view thereof;

FIG. 6 is a back elevational view thereof;

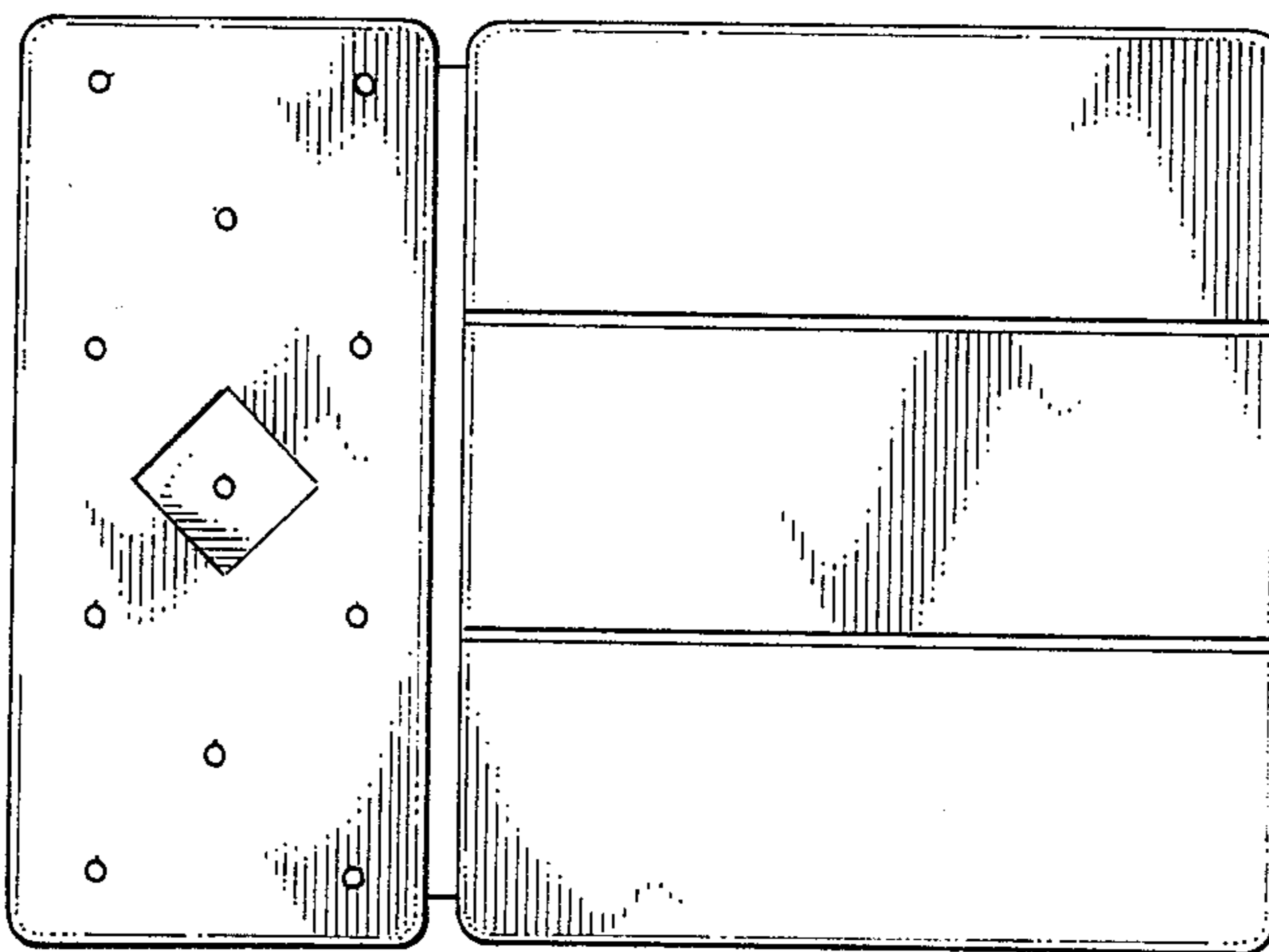
FIG. 7 is a bottom plan view thereof.



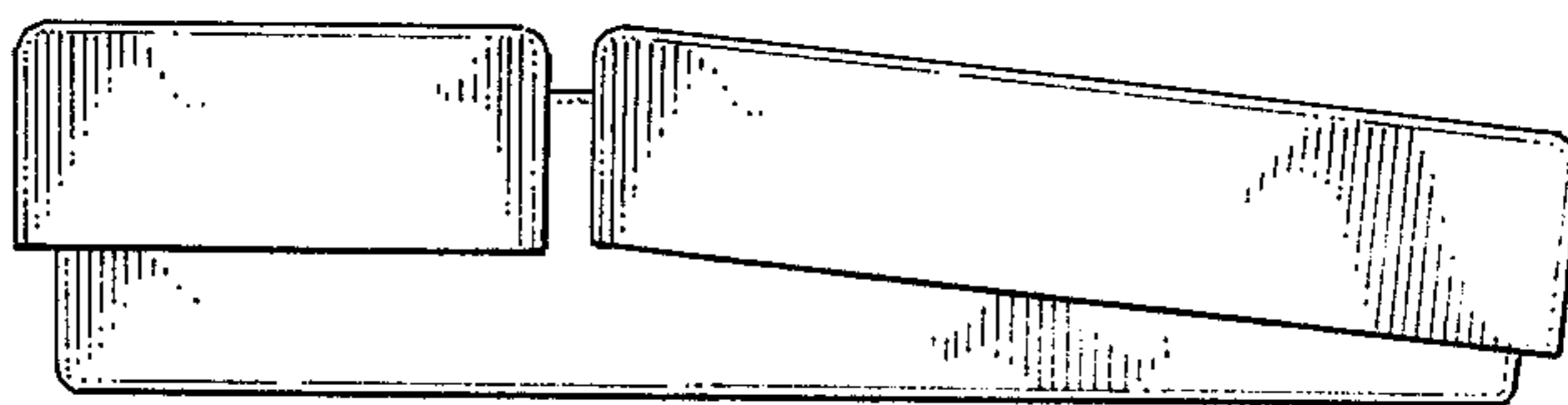


*Fig. 1*

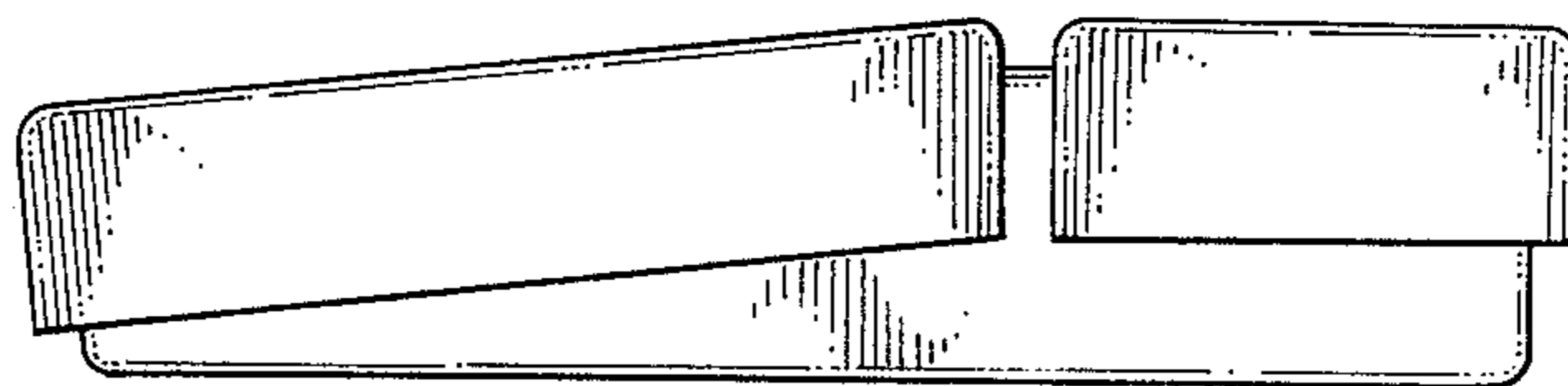
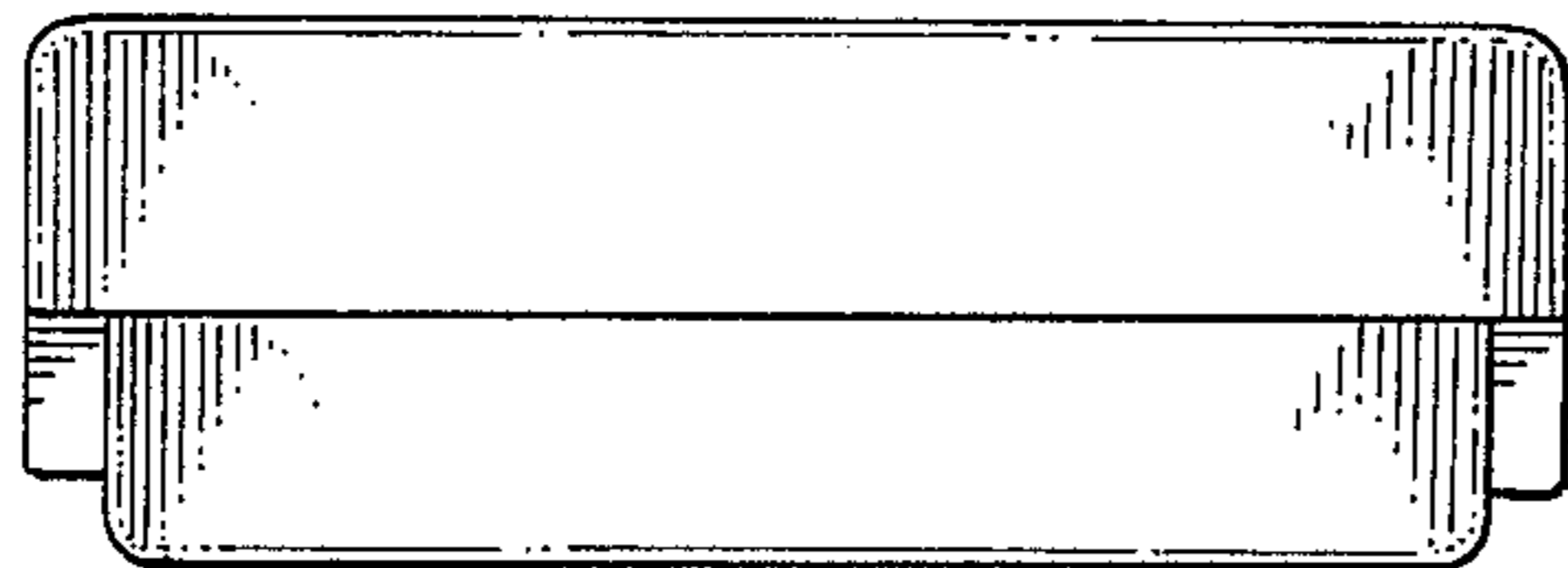
*Fig. 2*



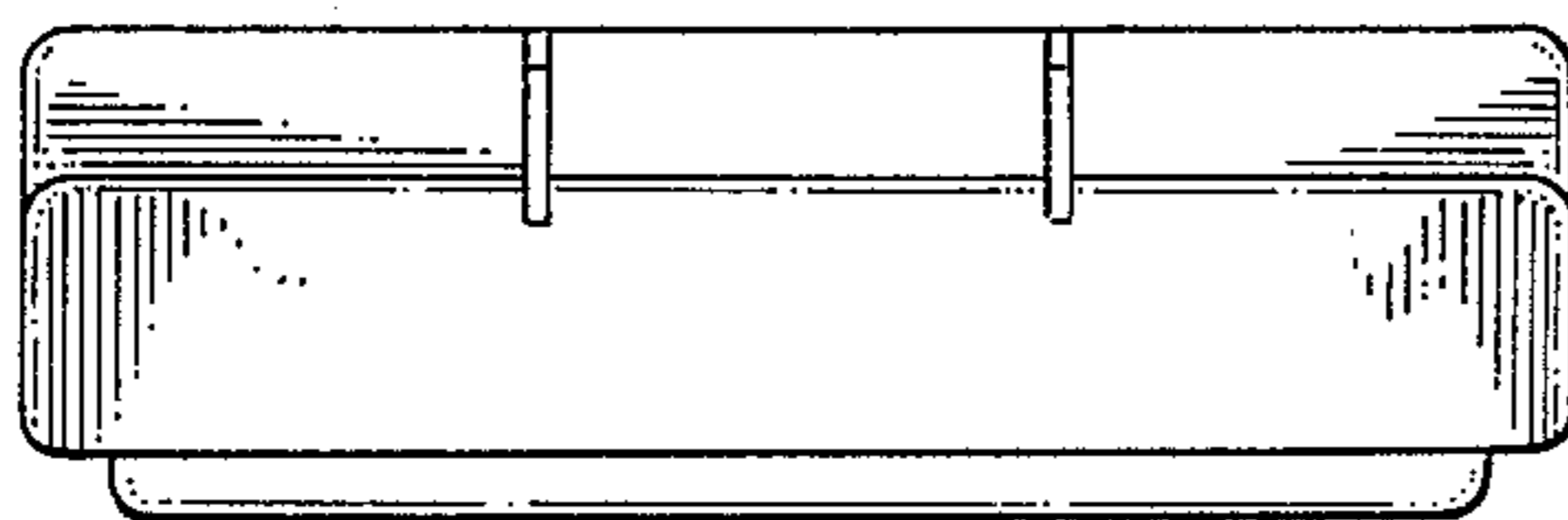
*Fig. 3*



*Fig. 4*



*Fig. 5*



*Fig. 6*

*Fig. 7*

