

[54] **DATA DISPLAY FOR COMPUTER**

[75] **Inventors: Yoshiyuki Manabe; Takehiko Noguchi; Tomoyuki Takahashi, all of Kanagawa, Japan**

[73] **Assignee: International Business Machines Corporation, Armonk, N.Y.**

[**] **Term: 14 Years**

[21] **Appl. No.: 153,747**

[22] **Filed: Feb. 8, 1988**

[30] **Foreign Application Priority Data**

Aug. 28, 1987 [JP] Japan 62-34883

[52] **U.S. Cl. D14/113**

[58] **Field of Search D14/100, 102, 105, 106, D14/107, 113, 114, 115; 340/700, 706, 711, 712; 341/22, 23; 358/248, 249, 254; 312/7.2, 208; 248/122, 125, 127, 133, 149, 161, 178, 183, 179, 349, 346, 371**

[56] **References Cited**

U.S. PATENT DOCUMENTS

D. 290,706 7/1987 Peart et al. D14/113
D. 295,415 4/1988 Thies et al. D14/113 X
4,438,458 3/1984 Münscher D14/113 X
4,528,597 7/1985 Klein et al. 358/254

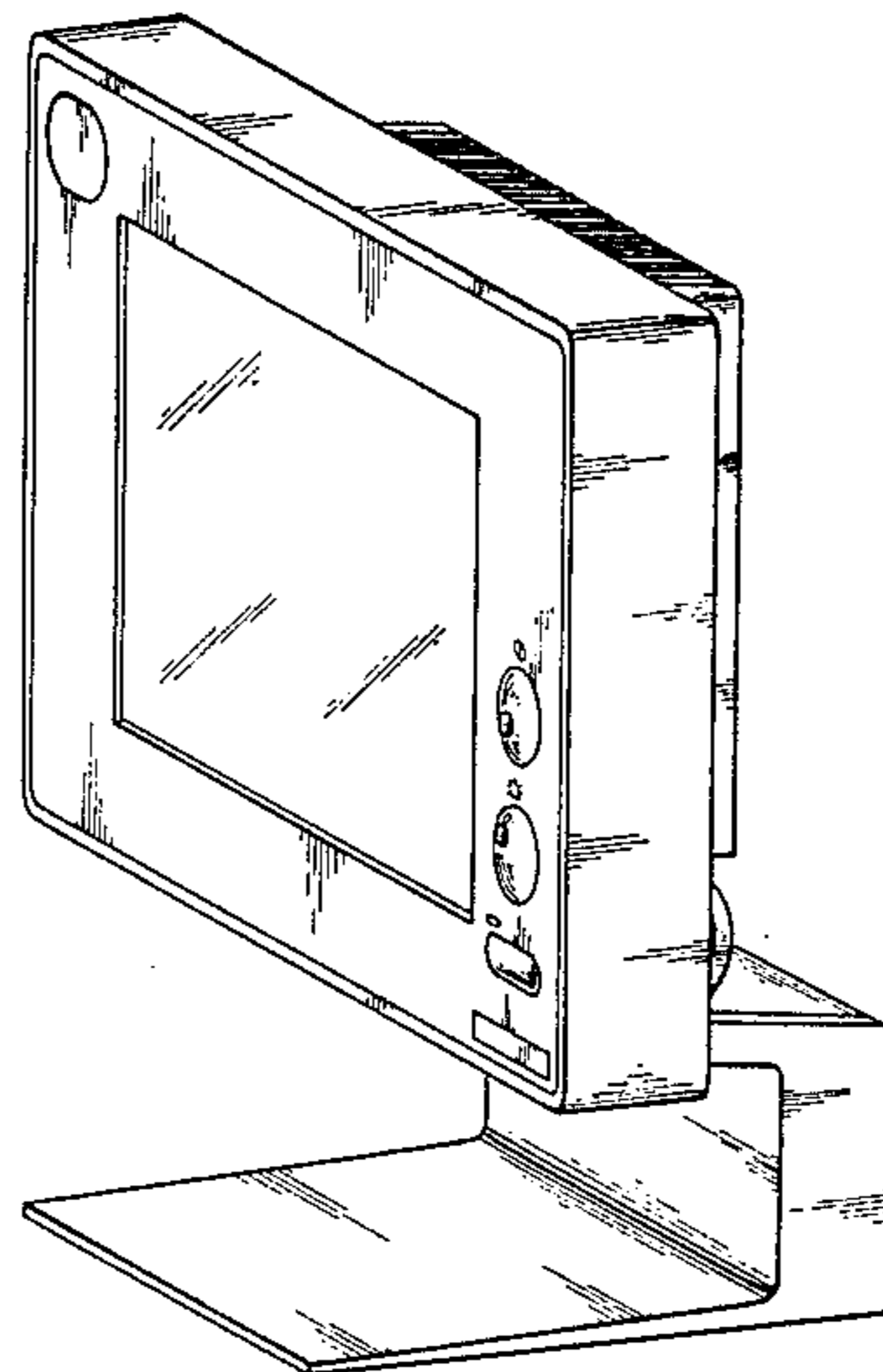
Primary Examiner—Susan J. Lucas
Assistant Examiner—Freda Selma-Nunn
Attorney, Agent, or Firm—Joscelyn G. Cockburn

[57] **CLAIM**

The ornamental design for data display for computer, as shown and described.

DESCRIPTION

FIG. 1 is a top, front, right side perspective view of a data display for computer showing our new design; FIG. 2 is a front elevational view thereof; FIG. 3 is a rear elevational view thereof; FIG. 4 is a top plan view thereof; FIG. 5 is a bottom plan view thereof; FIG. 6 is a right side elevational view thereof; FIG. 7 is a left side elevational view thereof.



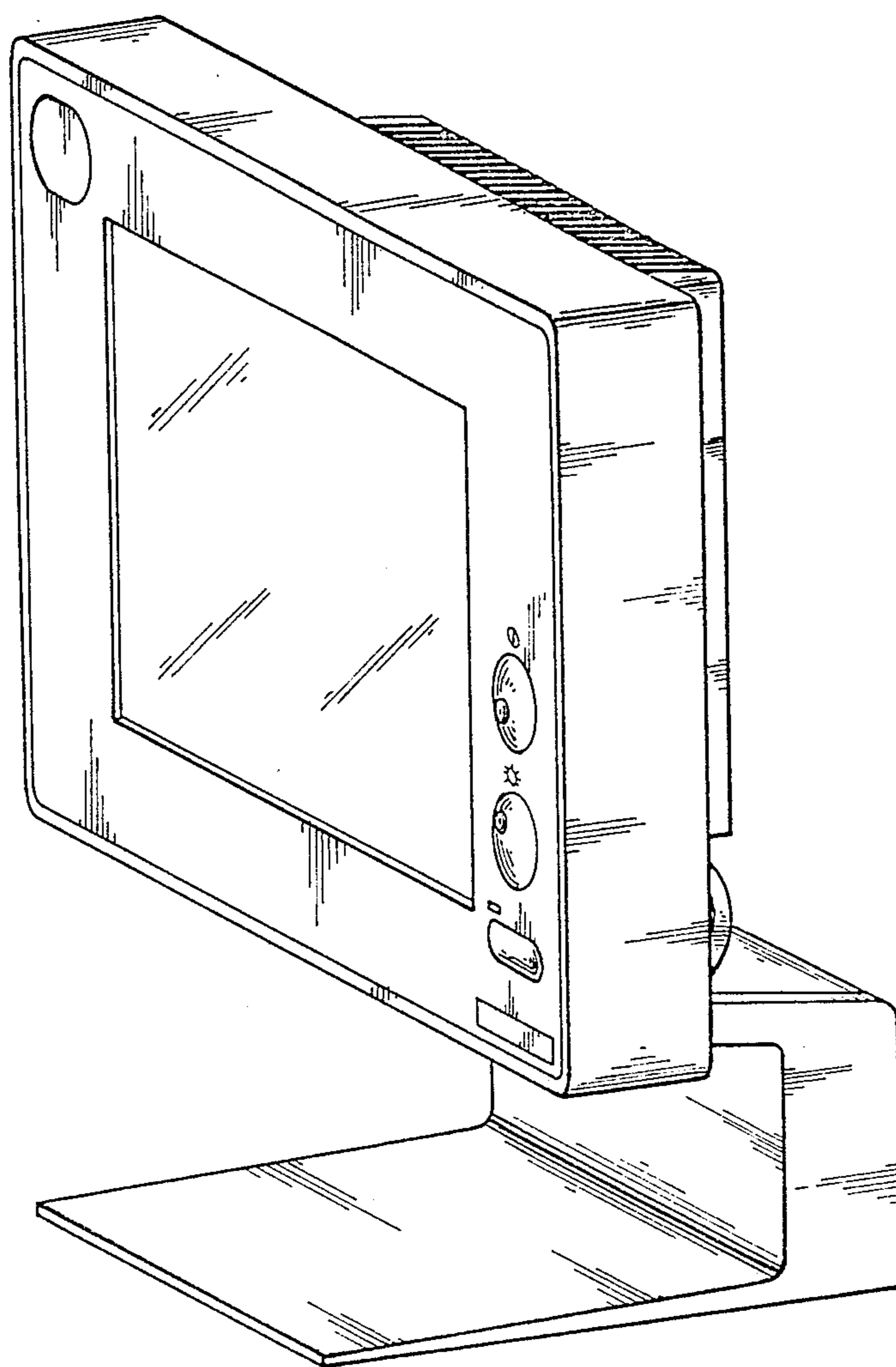


FIG. 1

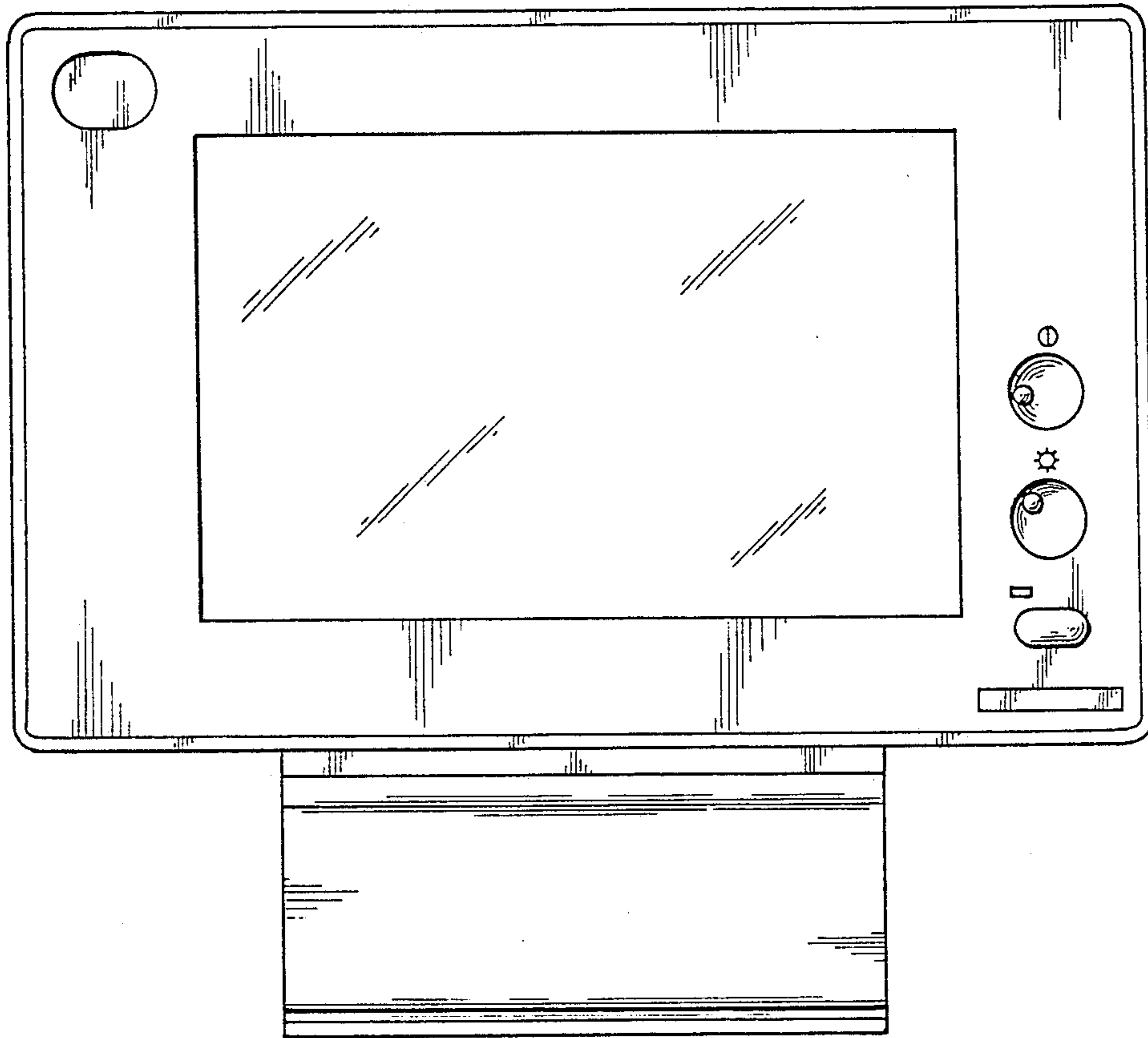


FIG. 2

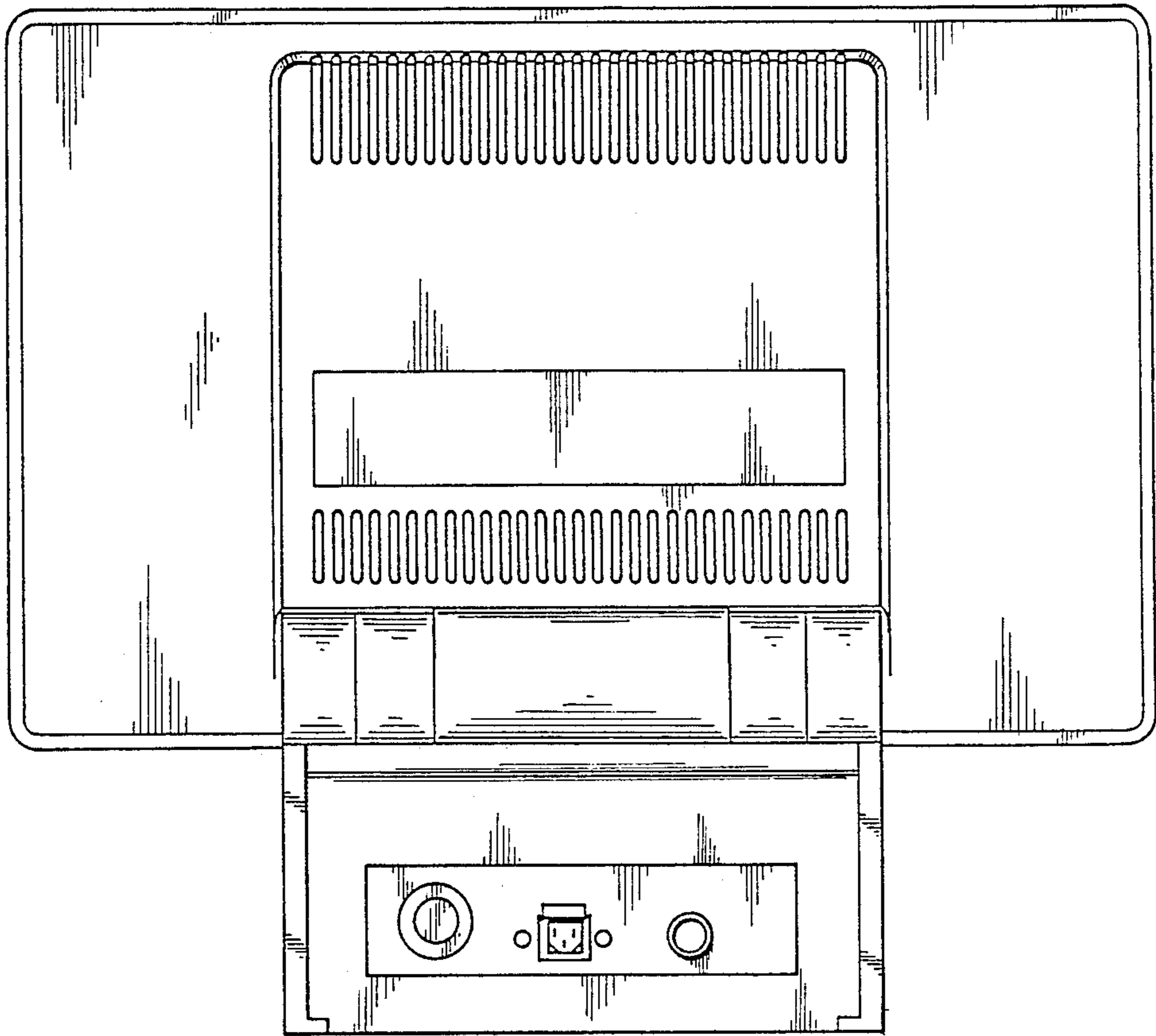


FIG. 3

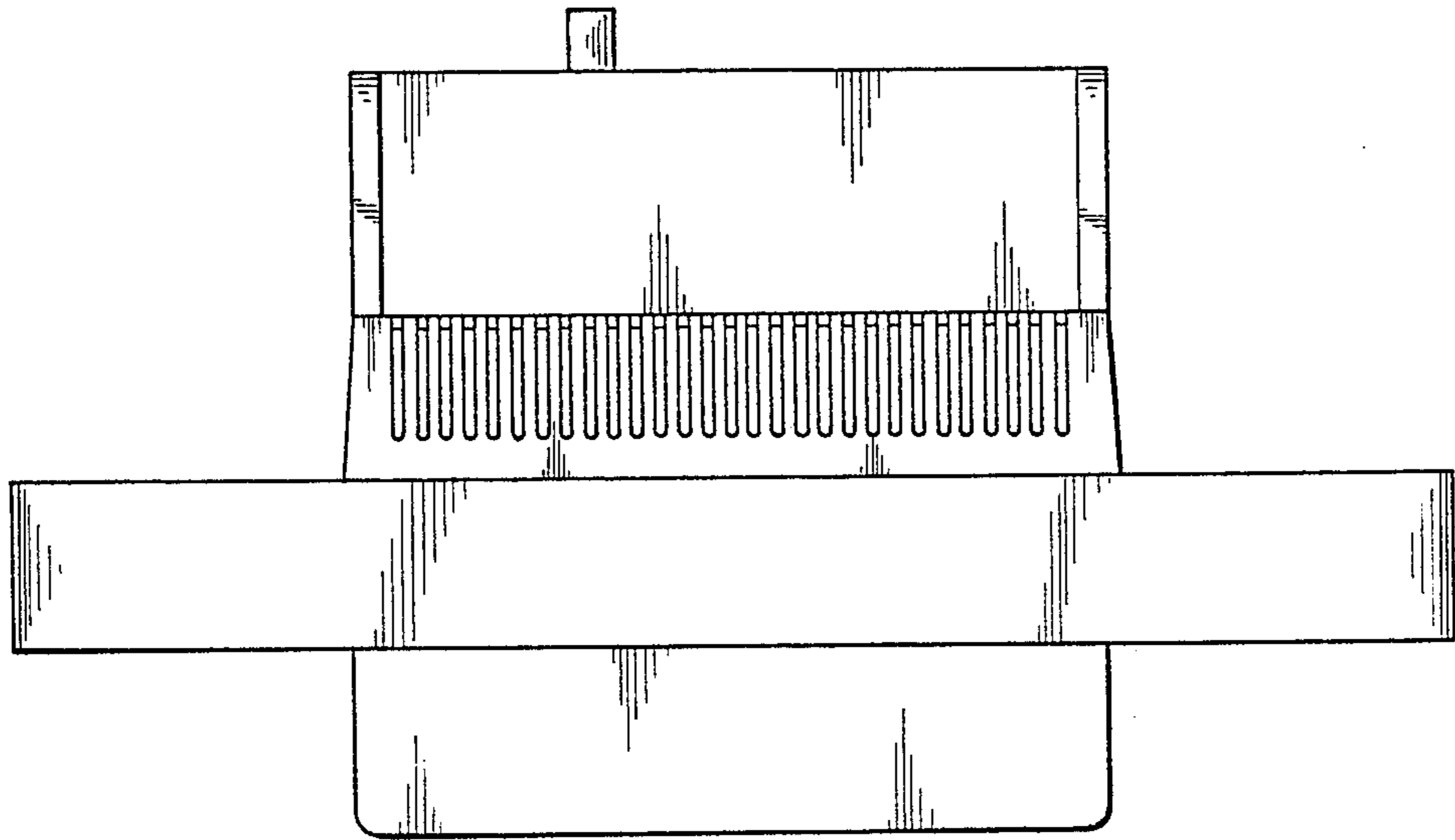


FIG. 4

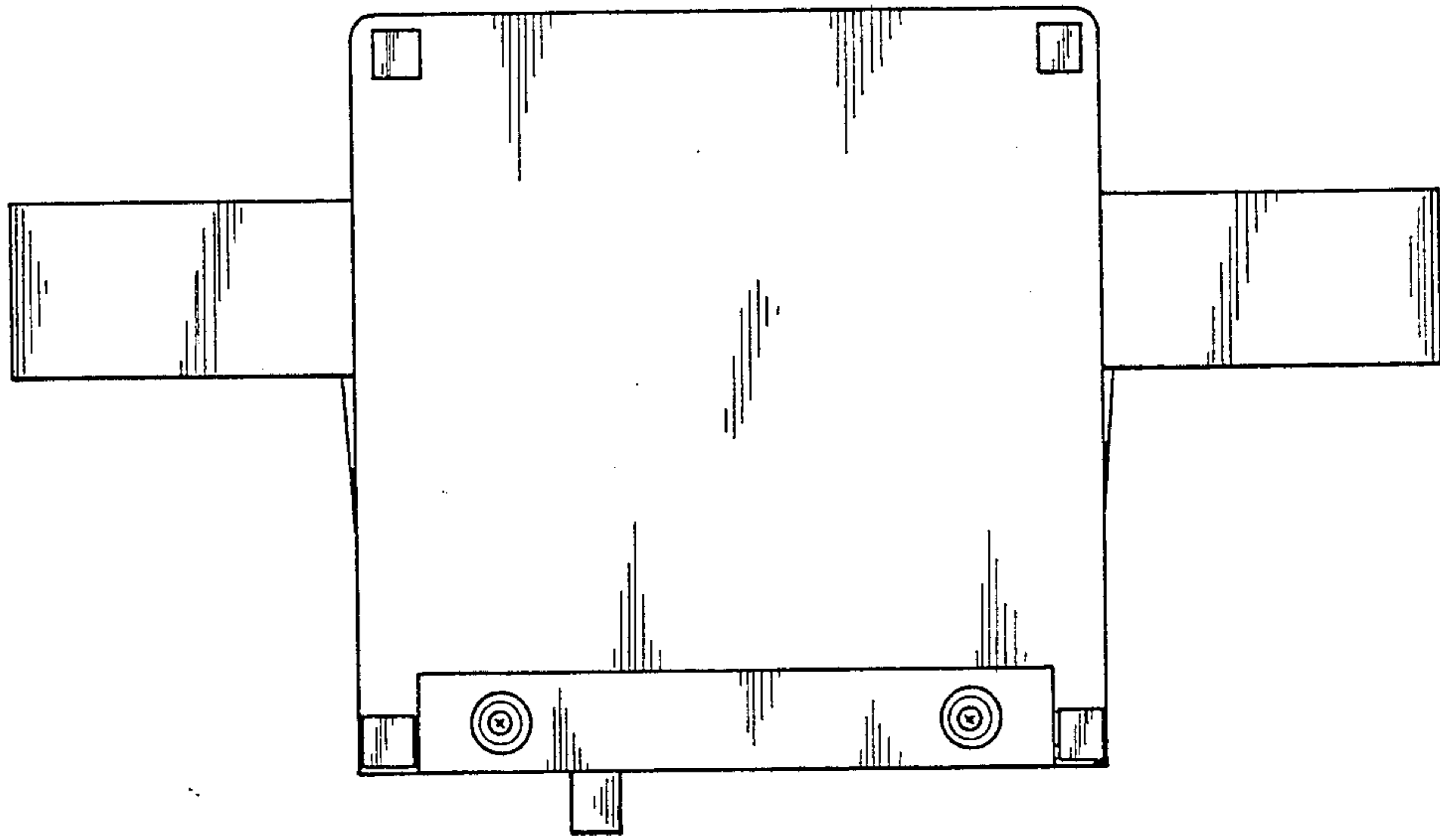


FIG. 5

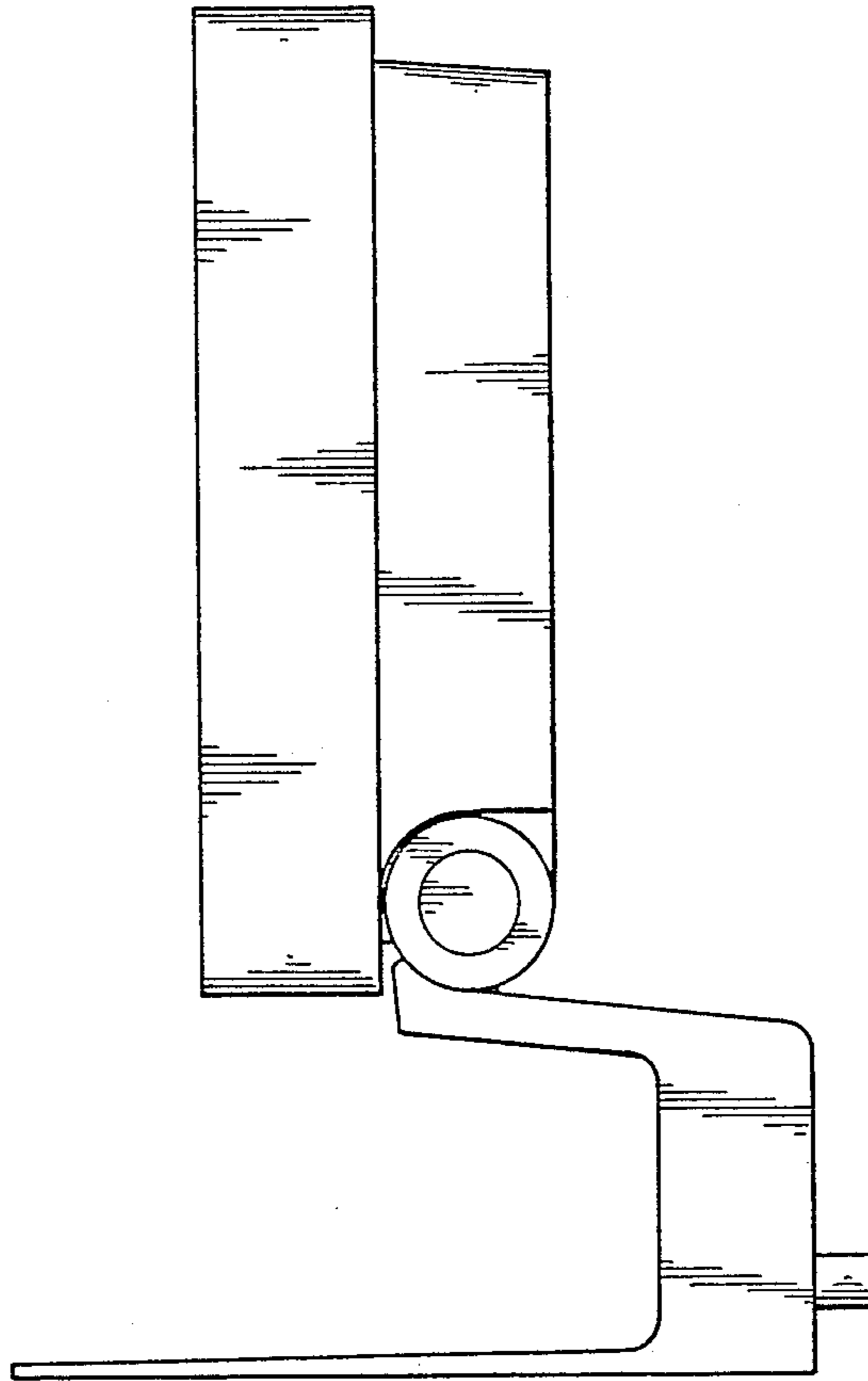


FIG. 6

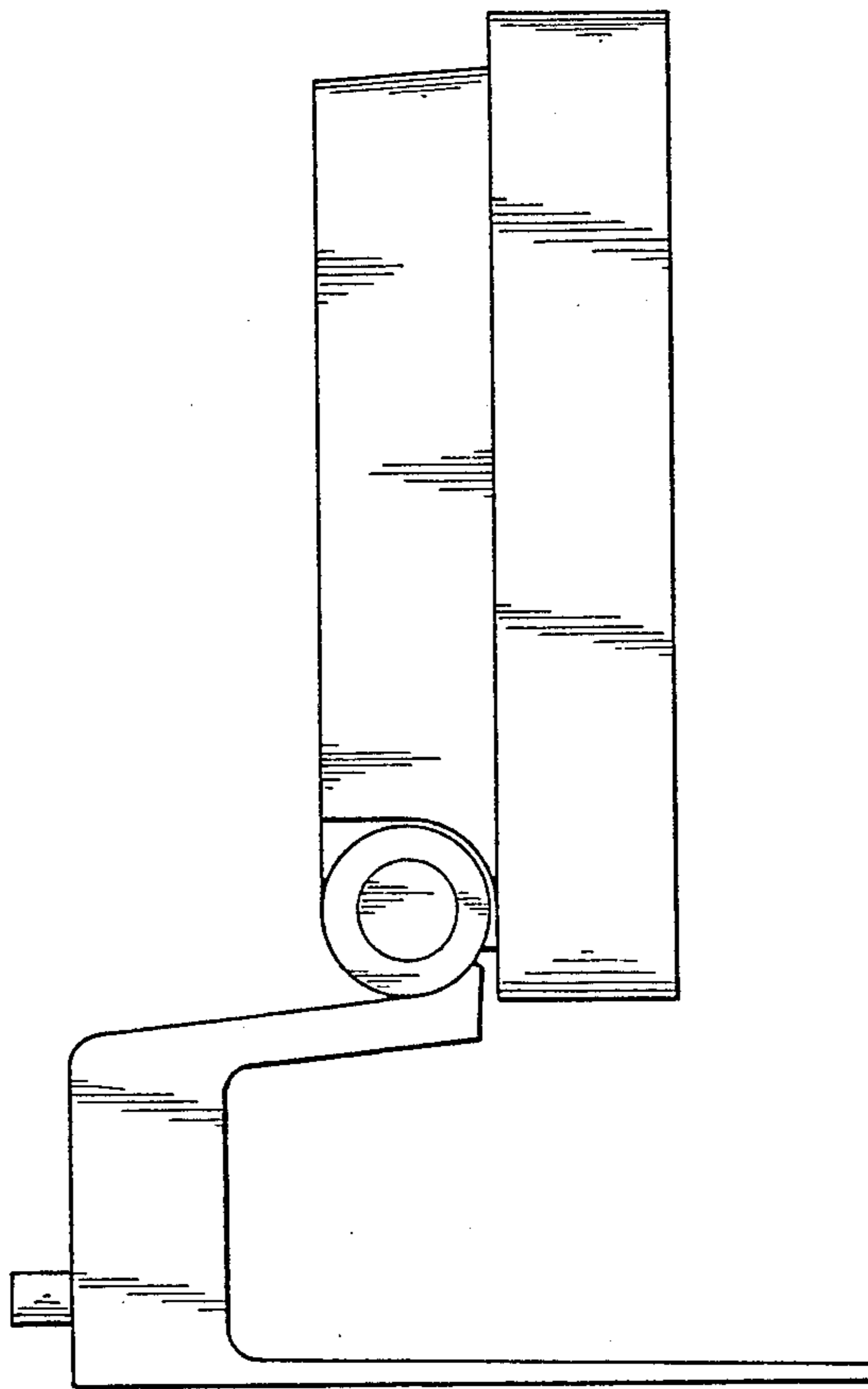


FIG. 7