

[54] SCANNER FOR A COMPUTER

[75] Inventors: Kazuhiko Yamagiwa, Osaka; Sakae Nakamoto, Hyogo, both of Japan

[73] Assignee: Matsushita Electric Industrial Co., Ltd., Osaka, Japan

[**] Term: 14 Years

[21] Appl. No.: 27,963

[22] Filed: Mar. 19, 1987

[30] Foreign Application Priority Data

Dec. 17, 1986 [JP] Japan 61-49876

[52] U.S. Cl. D14/107

[58] Field of Search D14/100, 105, 107, 111, D14/114, 116; D16/1, 2, 27, 28, 29, 30, 31, 32; D18/13, 22, 23; 354/80, 81, 82; 355/1, 7, 8, 19, 14 SH, 45, 46, 47; 235/475, 479, 440, 454, 462, 470, 471, 472, 473, 483, 484, 486; 250/203 R, 216, 566, 568; 358/285, 286, 256, 292, 293, 294; 382/58, 59, 62, 63, 65, 66, 67, 68

[56] References Cited

U.S. PATENT DOCUMENTS

- D. 286,048 10/1986 Sutoh et al. D14/107
- D. 293,576 1/1988 Hara D16/32 X
- 4,623,937 11/1986 Watanabe 355/14 SH X

OTHER PUBLICATIONS

NEC Catalog dated Jul. 1986, "Personal Image Scanner", PC-IN 502.

Microtek Catalog dated May 1986 "MSF 300 Flatbed Intelligent Image Scanner".

Toshiba Catalog dated Jun. 1986, "Color Image Scanner", SC-3505(A4).

Toshiba Catalog dated Jun. 1986, "Color Image Scanner", SC-4505(A3).

Primary Examiner—Susan J. Lucas

Assistant Examiner—Freda S. Nunn

Attorney, Agent, or Firm—Sughrue, Mion, Zinn, Macpeak & Seas

[57] CLAIM

The ornamental design for a scanner for a computer, as shown and described.

DESCRIPTION

FIG. 1 is a front, top and right side perspective view of a scanner for a computer showing our new design; FIG. 2 is a rear, bottom and left side perspective view thereof;

FIG. 3 is a front, top and right side perspective view thereof with a pivotable cover thereof in raised position;

FIG. 4 is a front elevational view thereof on an enlarged scale, the cover in a closed position;

FIG. 5 is a right side elevational view thereof on an enlarged scale, the cover in a closed position.

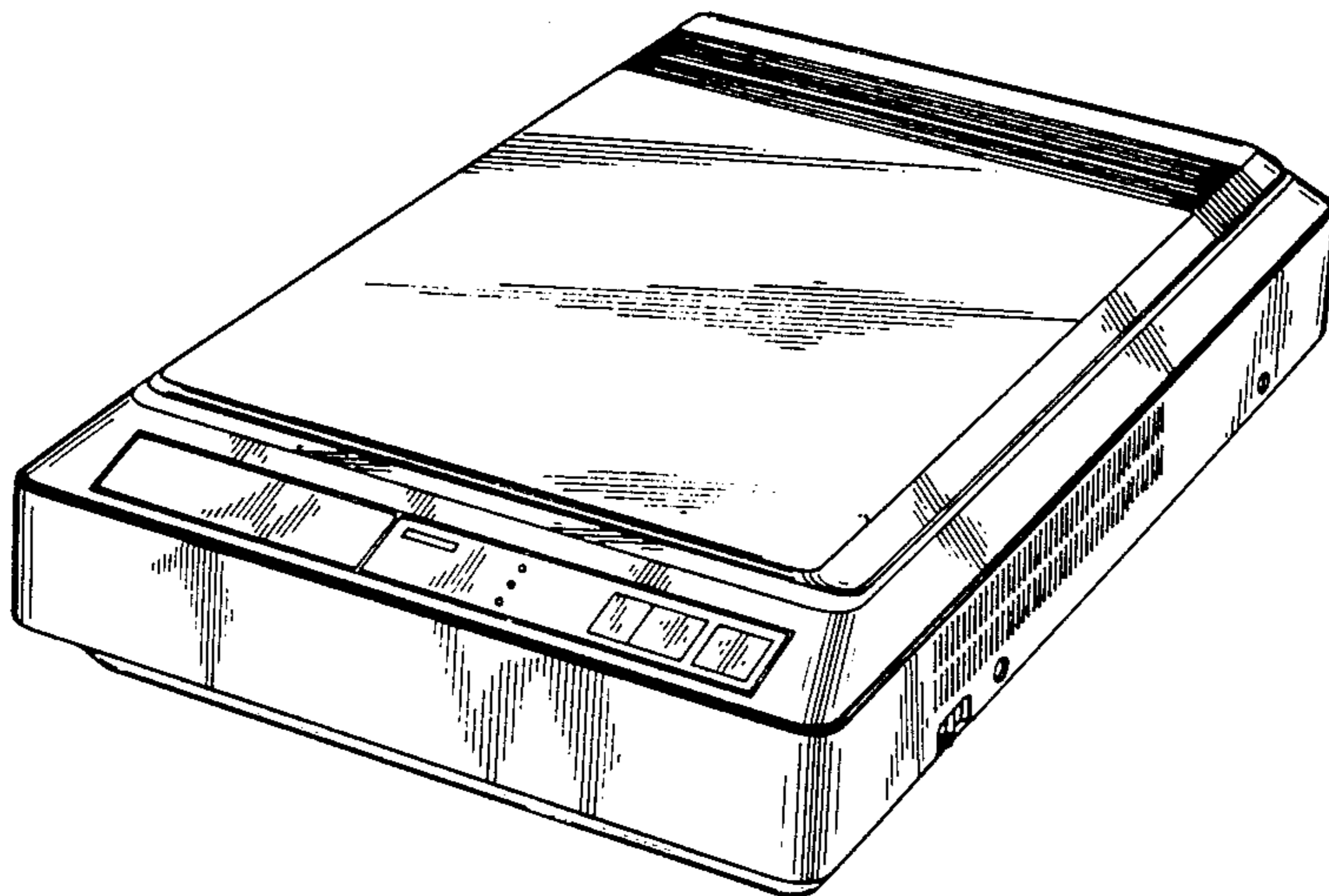


FIG. 1

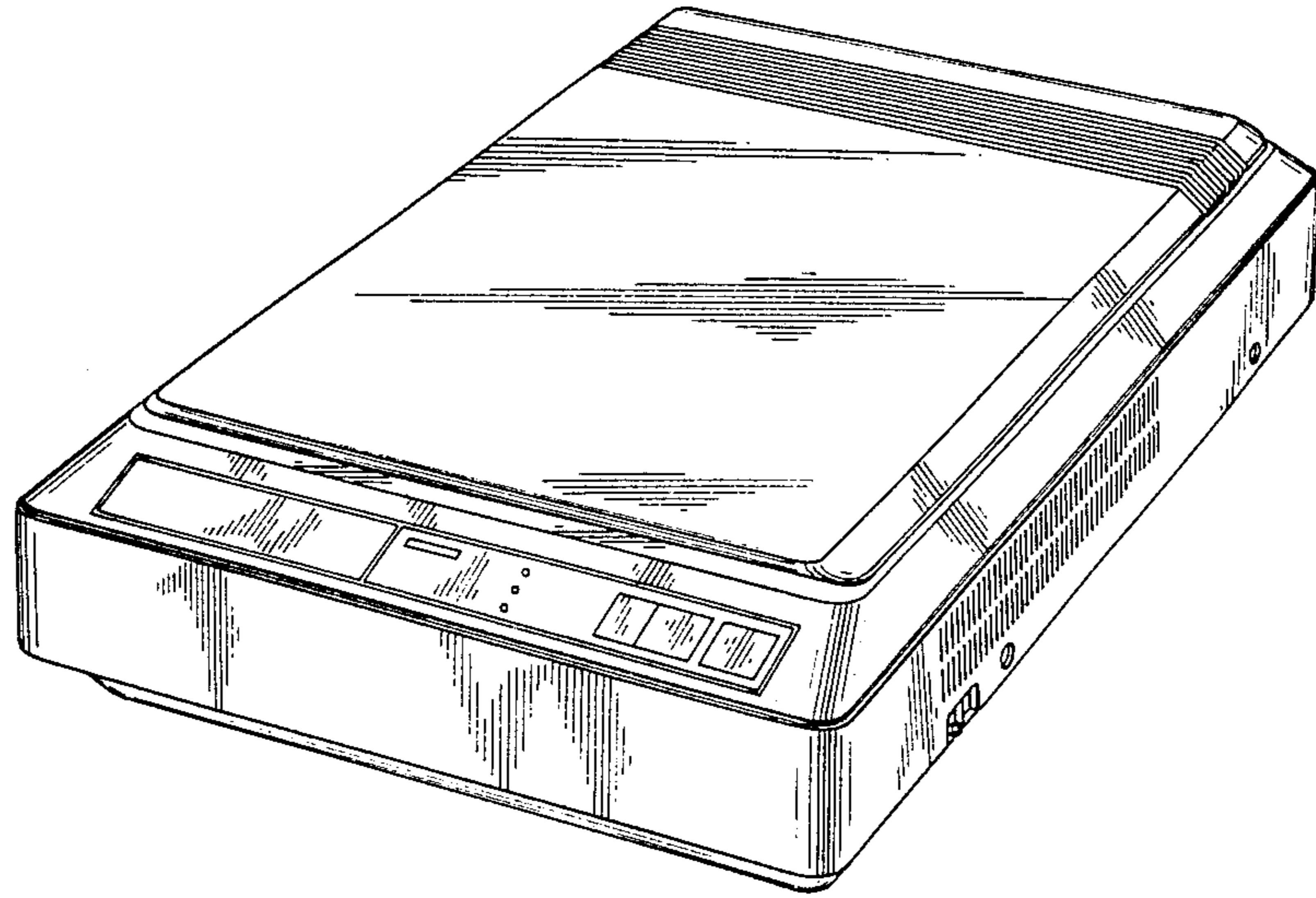


FIG. 2

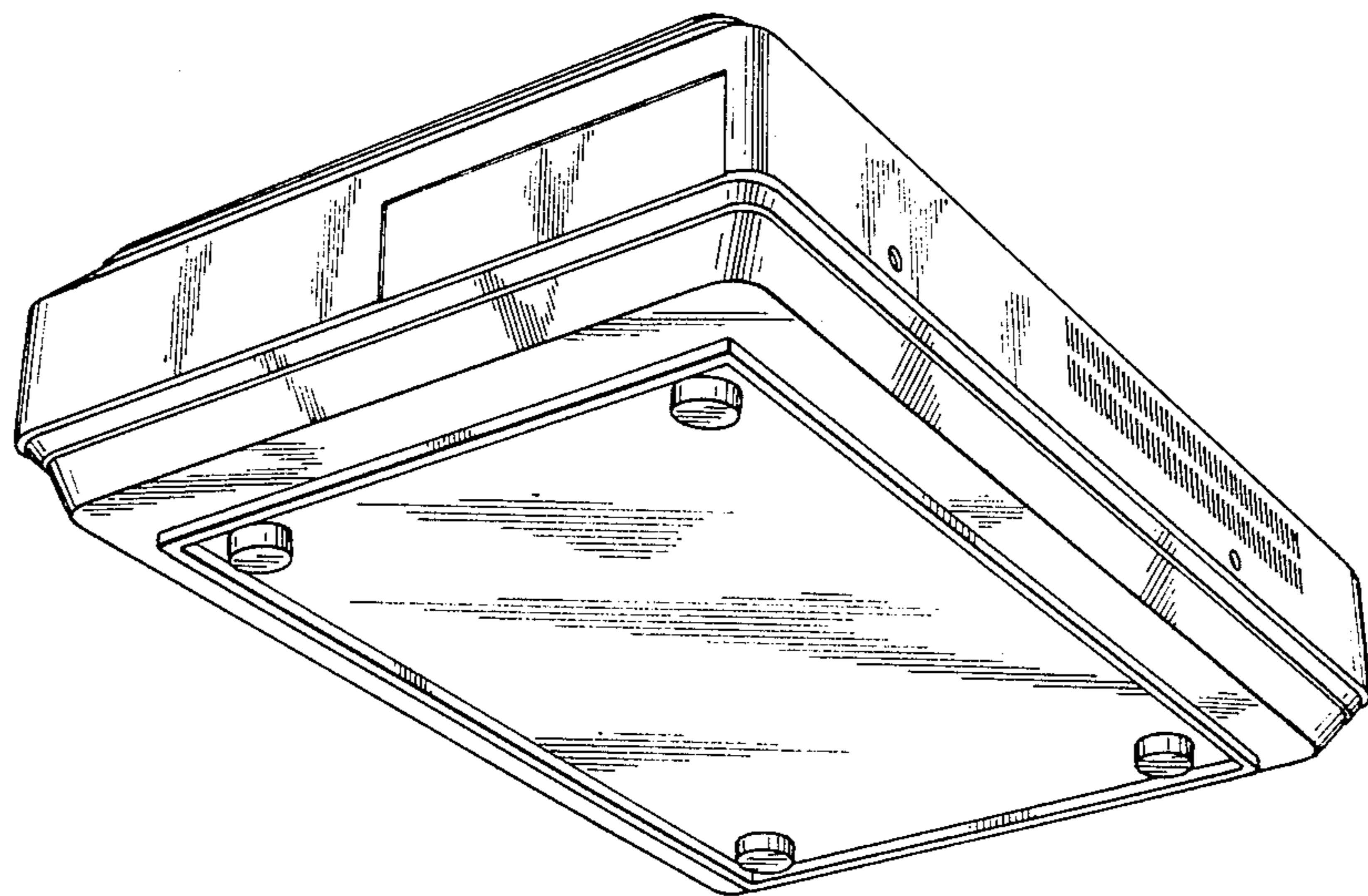


FIG. 3

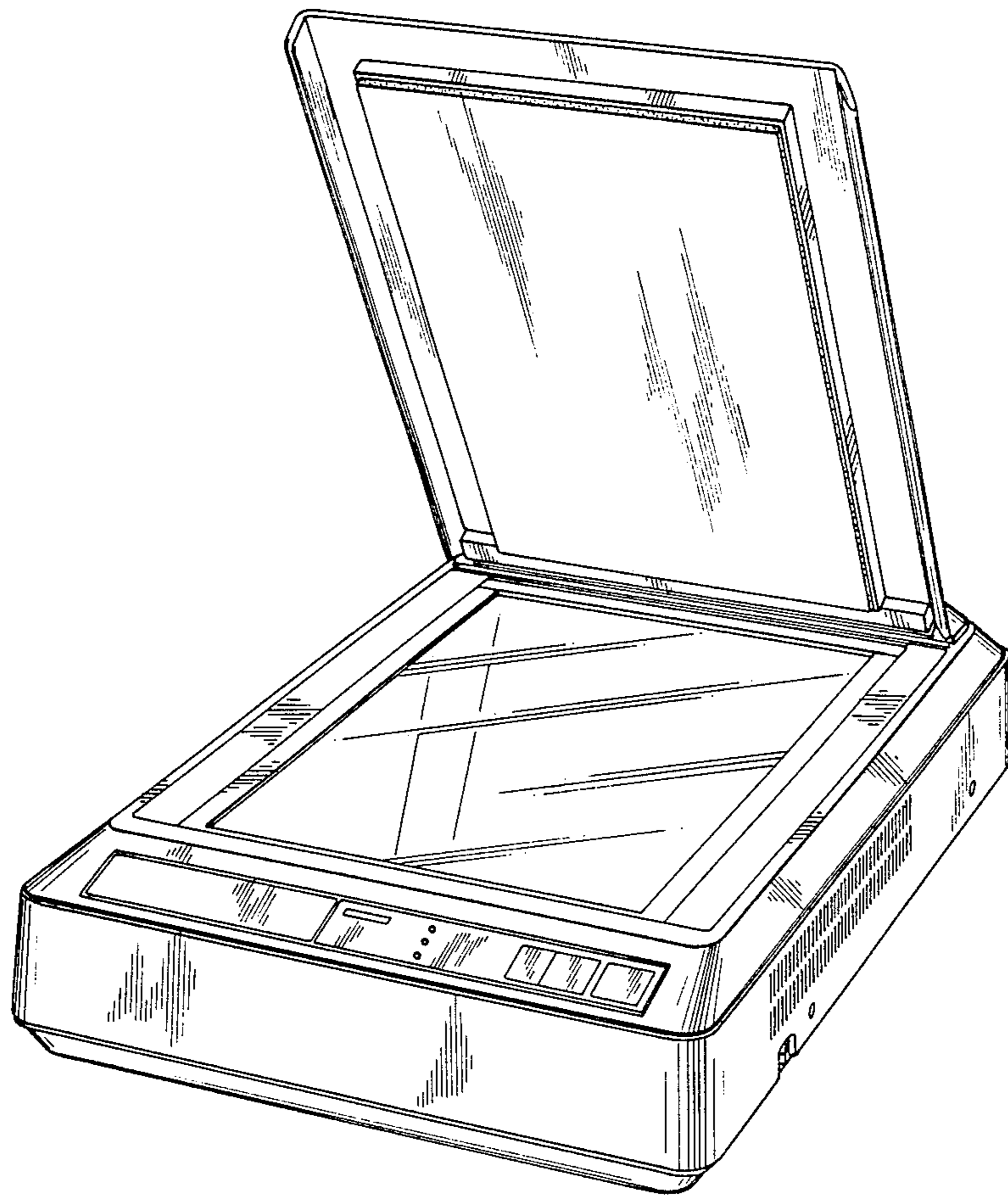


FIG. 4

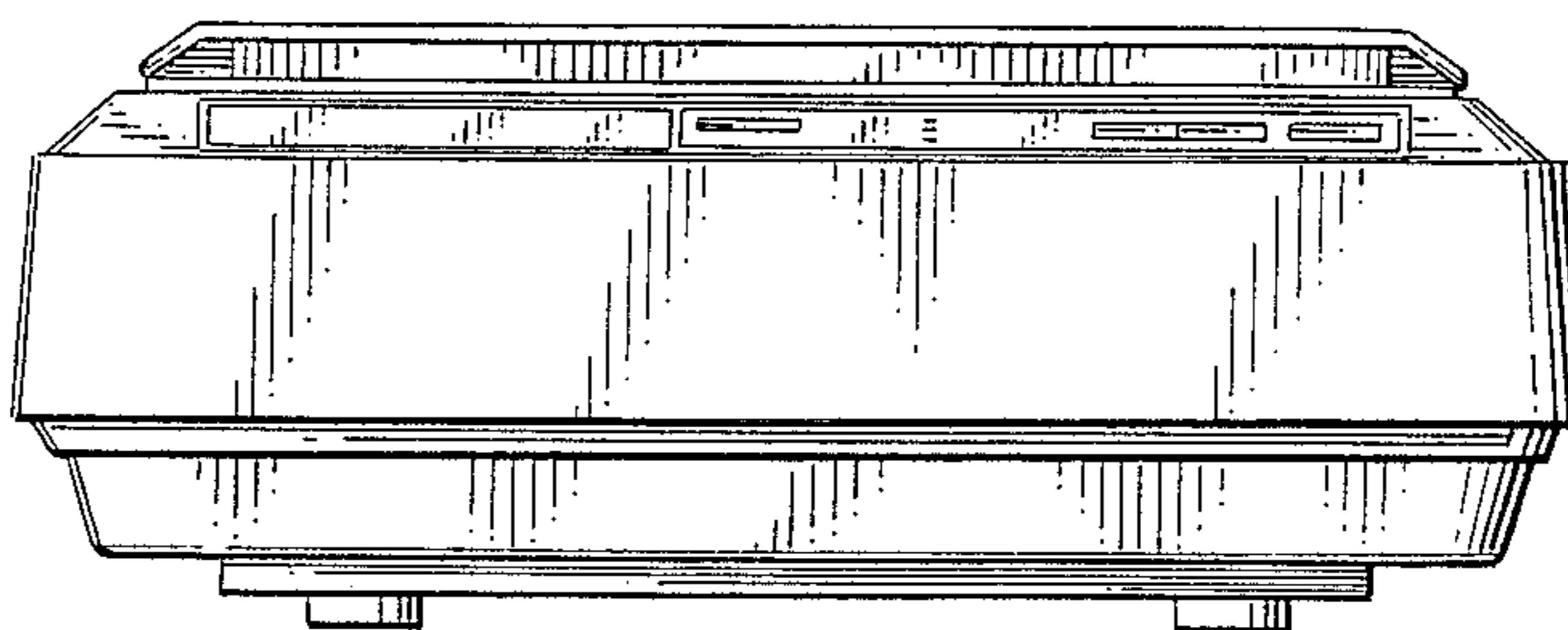


FIG. 5

