

[54] TRANSMITTER FOR WIRELESS LIGHT DIMMER SYSTEM

D. 280,896 10/1985 Campbell et al. D14/95
D. 290,356 6/1987 Fisher D14/95

[75] Inventors: Noel Mayo, Philadelphia; Joel S. Spira, Coopersburg, both of Pa.; Raphael K. T. Tang, Belmont, Mass.

OTHER PUBLICATIONS

Hong Kong Enterprise, 11/1984, p. 321, "Brighten Electronics Co. Remote Control Devices."
Hong Kong Enterprise, 1/1985, p. 329, "Clover Electric Co. Ltd. Remote Controls".

[73] Assignee: Lutron Electronics Co., Inc., Coopersburg, Pa.

Primary Examiner—Bruce W. Dunkins
Assistant Examiner—Ruth Takemoto
Attorney, Agent, or Firm—Seidel, Gonda, Lavorgna & Monaco

[*] Notice: The portion of the term of this patent subsequent to Sep. 26, 2003 has been disclaimed.

[**] Term: 14 Years

[57] CLAIM

[21] Appl. No.: 79,747

The ornamental design for a transmitter for wireless light dimmer system, as shown and described.

[22] Filed: Jul. 30, 1987

DESCRIPTION

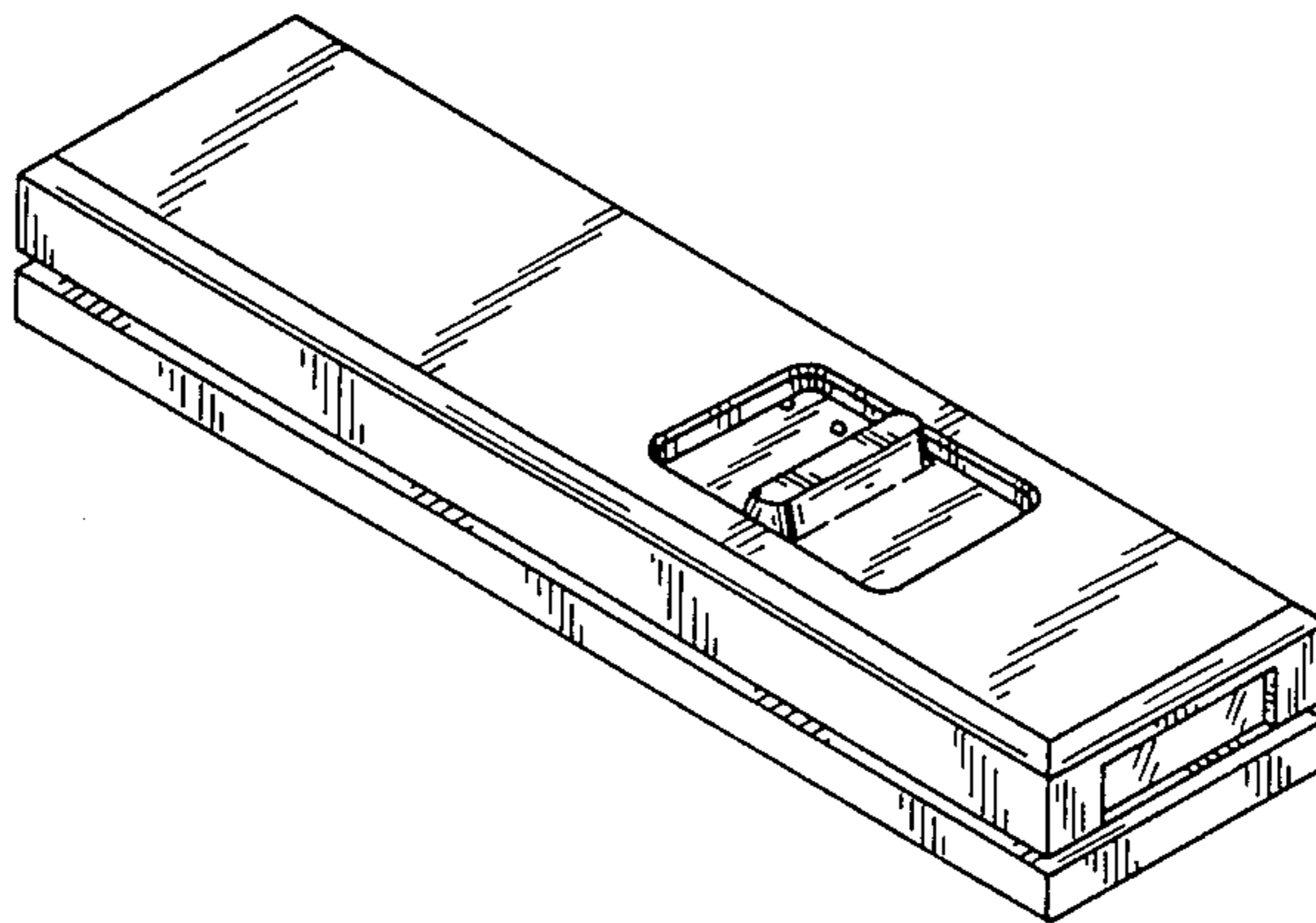
[52] U.S. Cl. D13/32
[58] Field of Search D14/85, 99, 68; D13/11, D13/12, 32, 40-41, 99; 315/224, 291, 295, 199, 239; 362/257; 340/825.71-825.73; 455/603 X

FIG. 1 is a perspective view of a transmitter for a wireless light dimmer system showing our new design; FIG. 2 is a top plan view thereof; FIG. 3 is a bottom plan view thereof; FIG. 4 is a side elevational view thereof; FIG. 5 is an end elevational view thereof; and FIG. 6 is an end elevational view thereof, of the opposite side of FIG. 5.

[56] References Cited

U.S. PATENT DOCUMENTS

D. 167,828 9/1952 Florac D14/68
D. 227,577 7/1973 Mayo D13/37



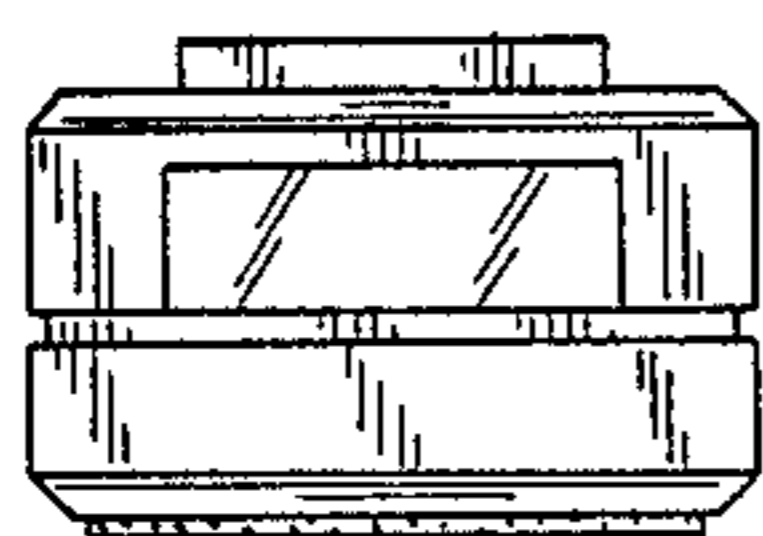
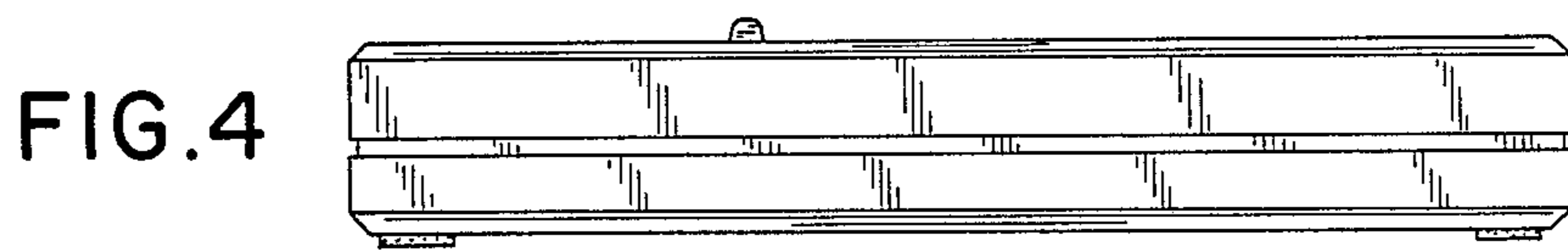
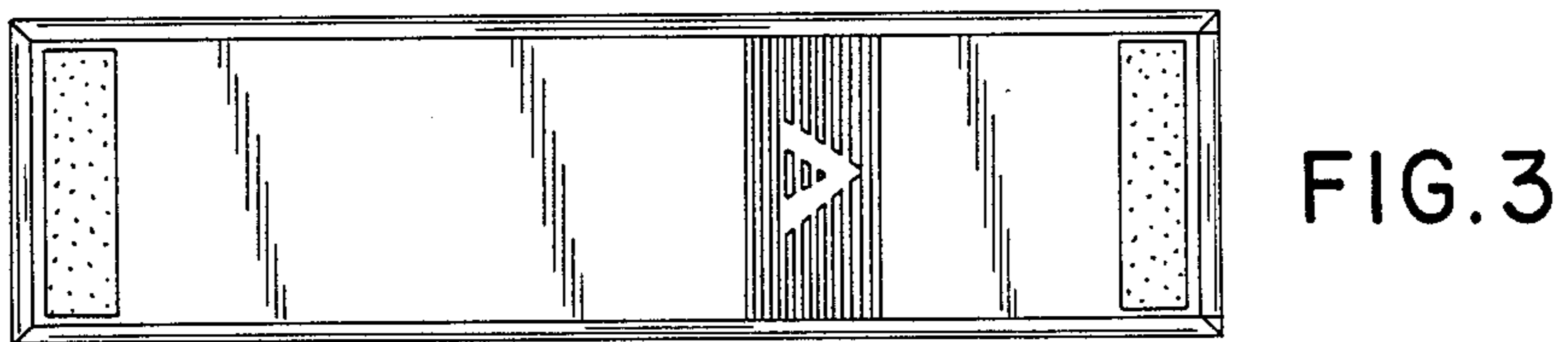
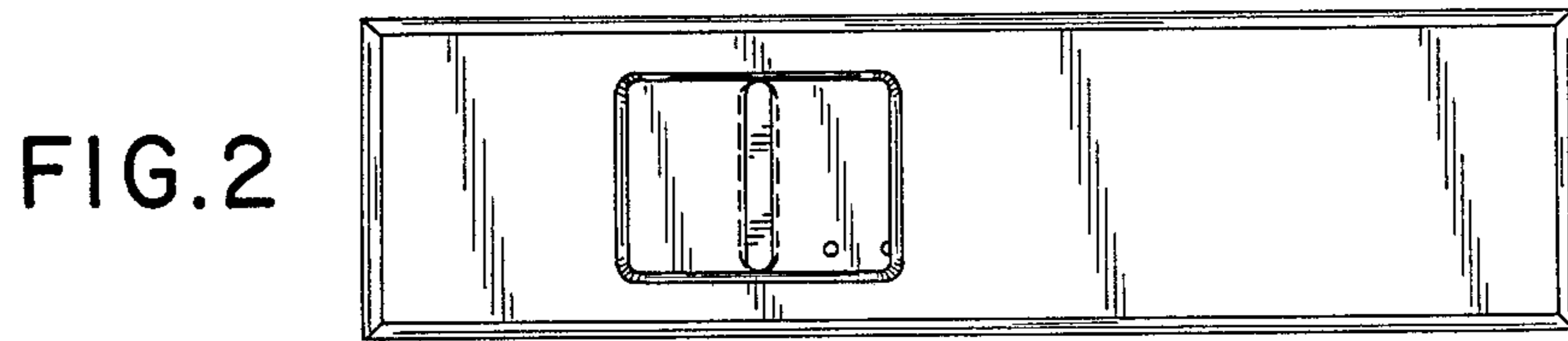
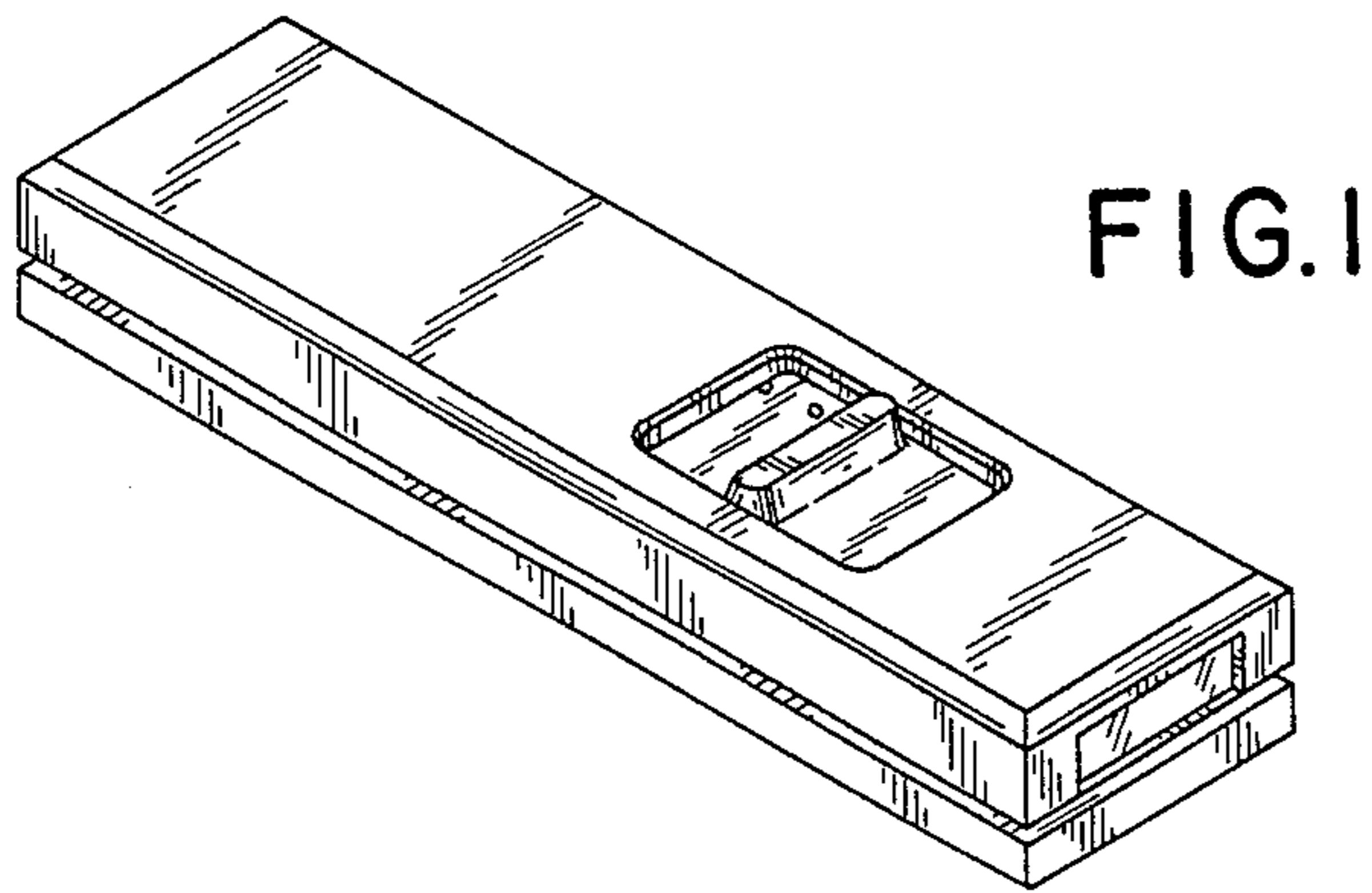


FIG. 5

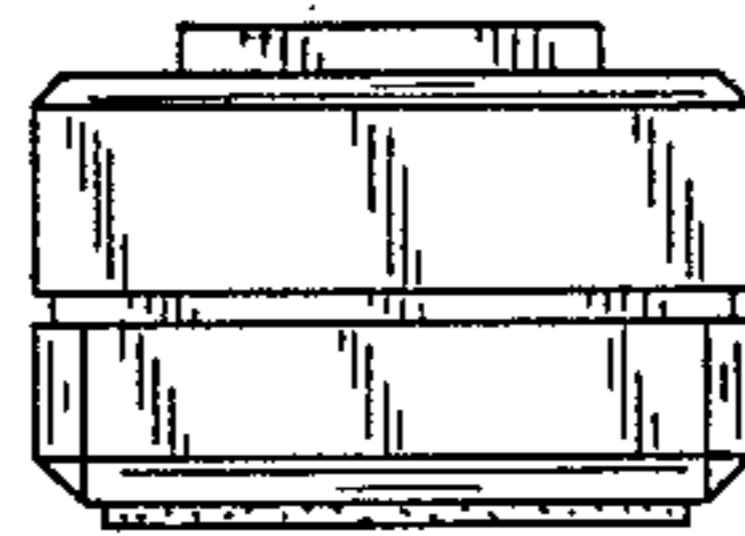


FIG. 6