

United States Patent [19]

Wong et al.

[11] Patent Number: **Des. 303,656**

[45] Date of Patent: **** Sep. 26, 1989**

[54] **SHROUD FOR ELECTRICAL CONNECTORS**

[75] Inventors: **Allen Wong, Streamwood; Ross P. Goodwin, Chicago, both of Ill.**

[73] Assignee: **Motorola, Inc., Schaumburg, Ill.**

[**] Term: **14 Years**

[21] Appl. No.: **867,184**

[22] Filed: **May 27, 1986**

[52] U.S. Cl. **D13/24**

[58] Field of Search **D13/24-31;**
174/138 F; 439/135, 521

[56] **References Cited**

U.S. PATENT DOCUMENTS

- D. 272,820 2/1984 Cosmos et al. D13/24
- D. 292,395 10/1987 Waters et al. D13/24
- 1,200,368 10/1916 Klug .
- 3,009,986 2/1960 Stephens .
- 3,137,535 6/1964 Collier et al. 174/138 F X
- 3,197,577 9/1964 Kuklock .
- 3,258,731 6/1966 Still et al. .
- 3,508,291 3/1968 Klebe, Jr. .
- 3,598,900 6/1969 Drake 174/138 F
- 3,739,318 6/1973 Winter et al. .
- 3,792,414 2/1974 Smith .
- 3,906,170 9/1975 Guice .

- 4,076,360 2/1978 Singh .
- 4,176,245 11/1979 Merlack et al. 174/138 F X
- 4,311,883 1/1982 Kidney .

FOREIGN PATENT DOCUMENTS

58-134565 8/1983 Japan .

OTHER PUBLICATIONS

Connector Gasket Drawing, Semcor, Inc., Nov. 18, 1983.

Primary Examiner—Susan J. Lucas
Attorney, Agent, or Firm—Rolland R. Hackbart

[57] **CLAIM**

The ornamental design for a shroud for electrical connectors, as shown and described.

DESCRIPTION

FIG. 1 is a front, top and right side perspective view of a "Shroud for Electrical Connectors" showing our new design;

FIG. 2 is a left side elevational view thereof;

FIG. 3 is a rear elevational view thereof;

FIG. 4 is a bottom plan view thereof; and

FIG. 5 is a front, top and right side perspective view thereof, the electrical connector being shown in broken lines for illustrative purposes only and forming no part of the claimed design.

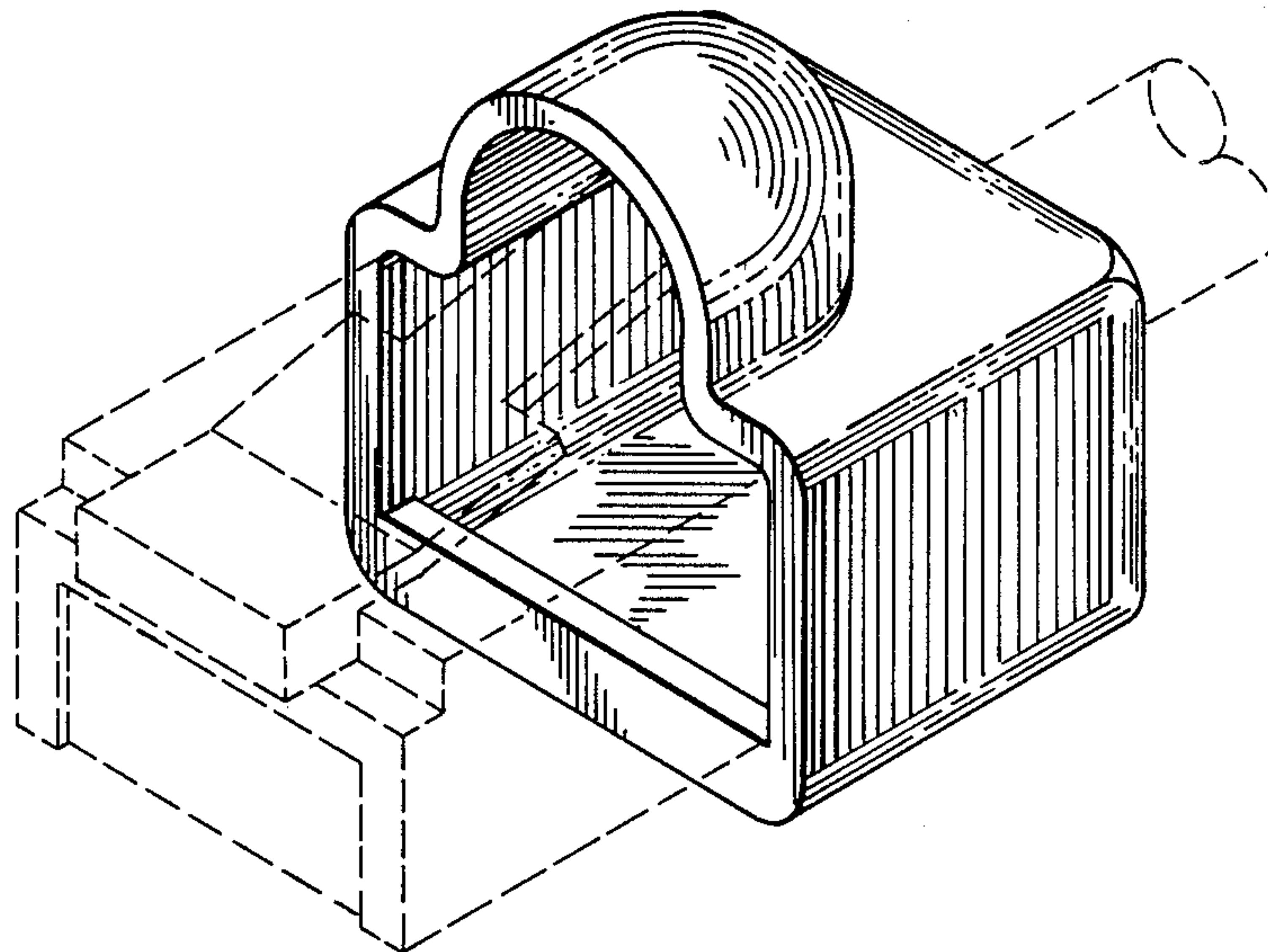


FIG. 1

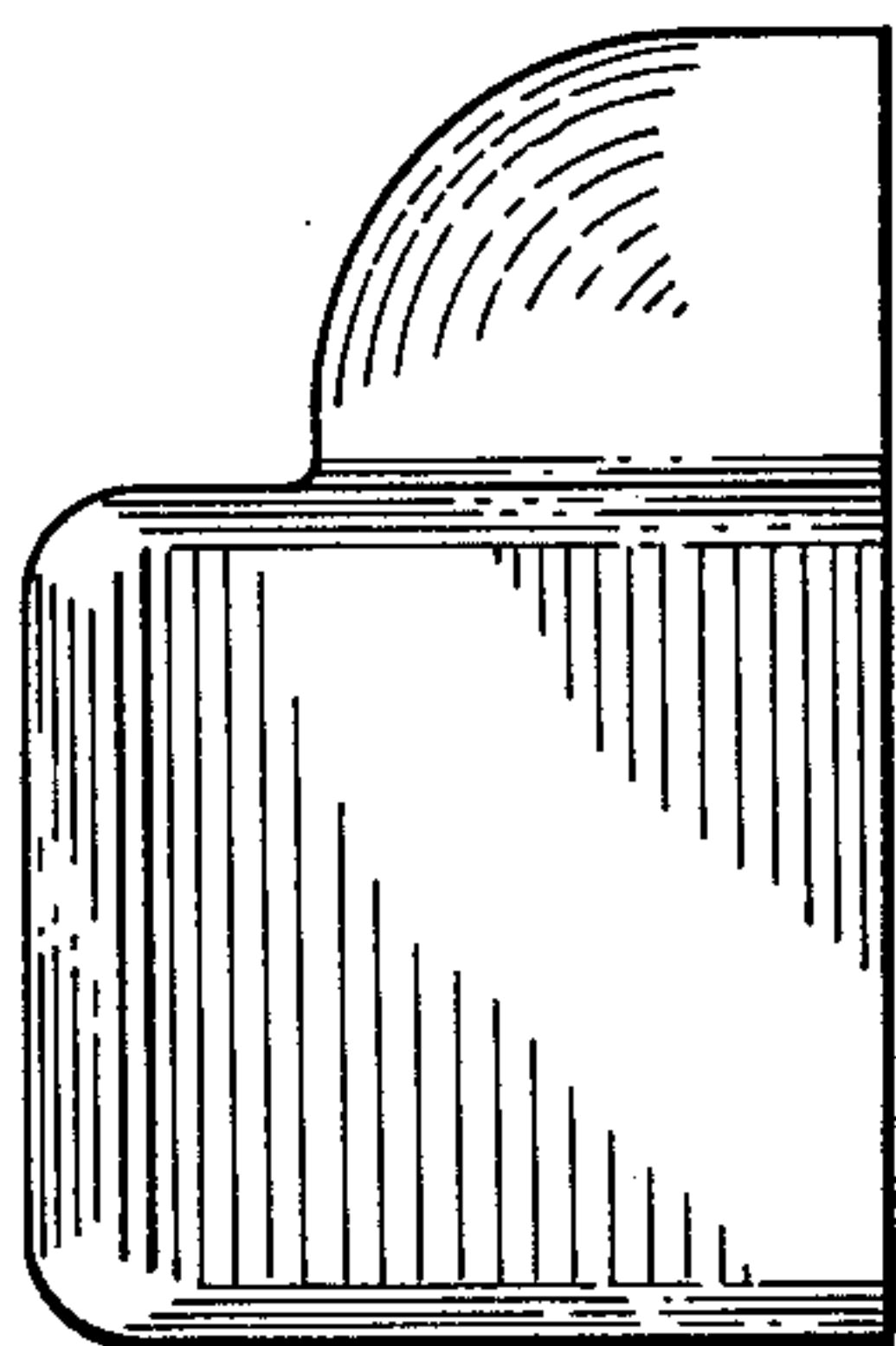
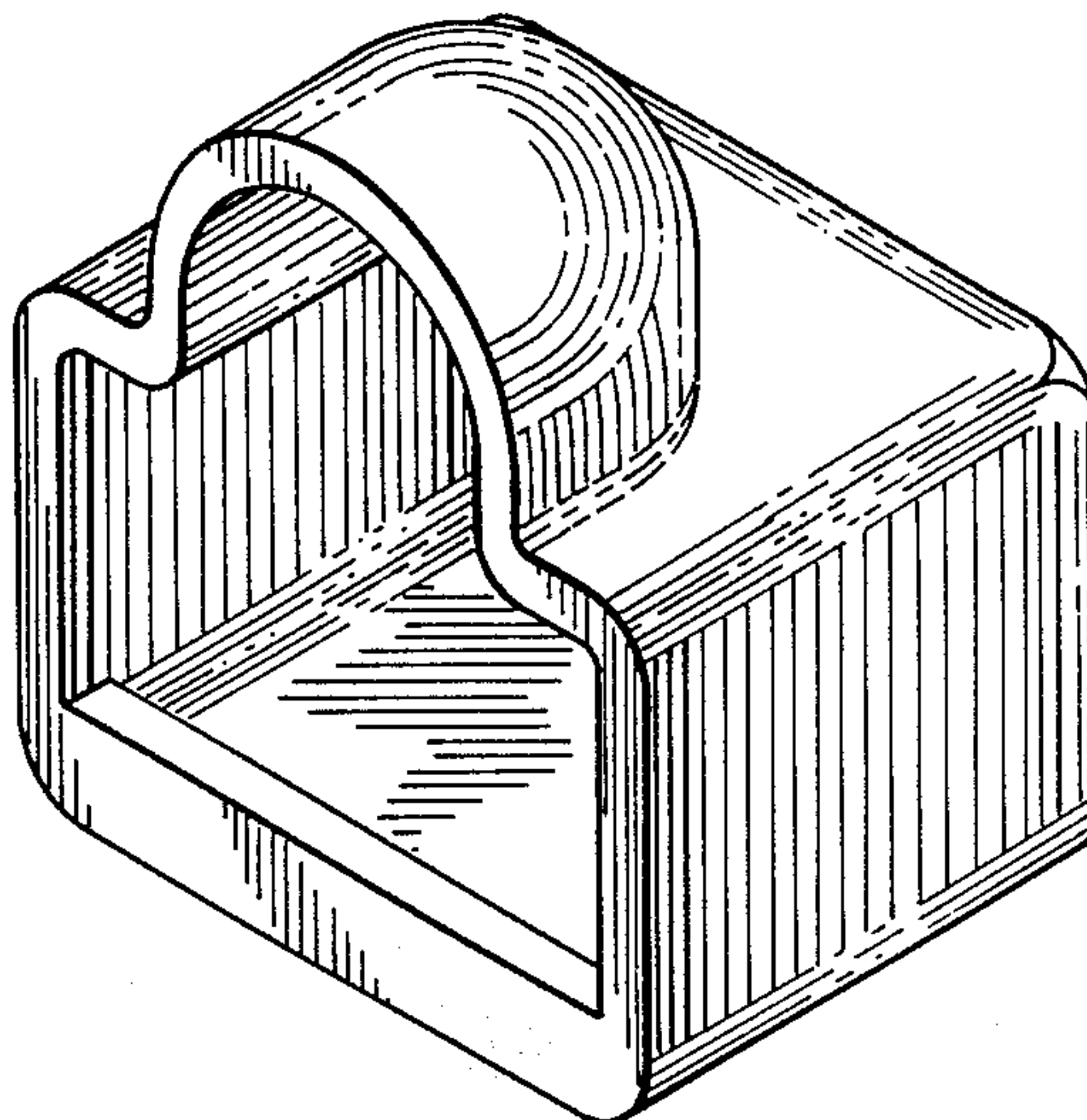


FIG. 2

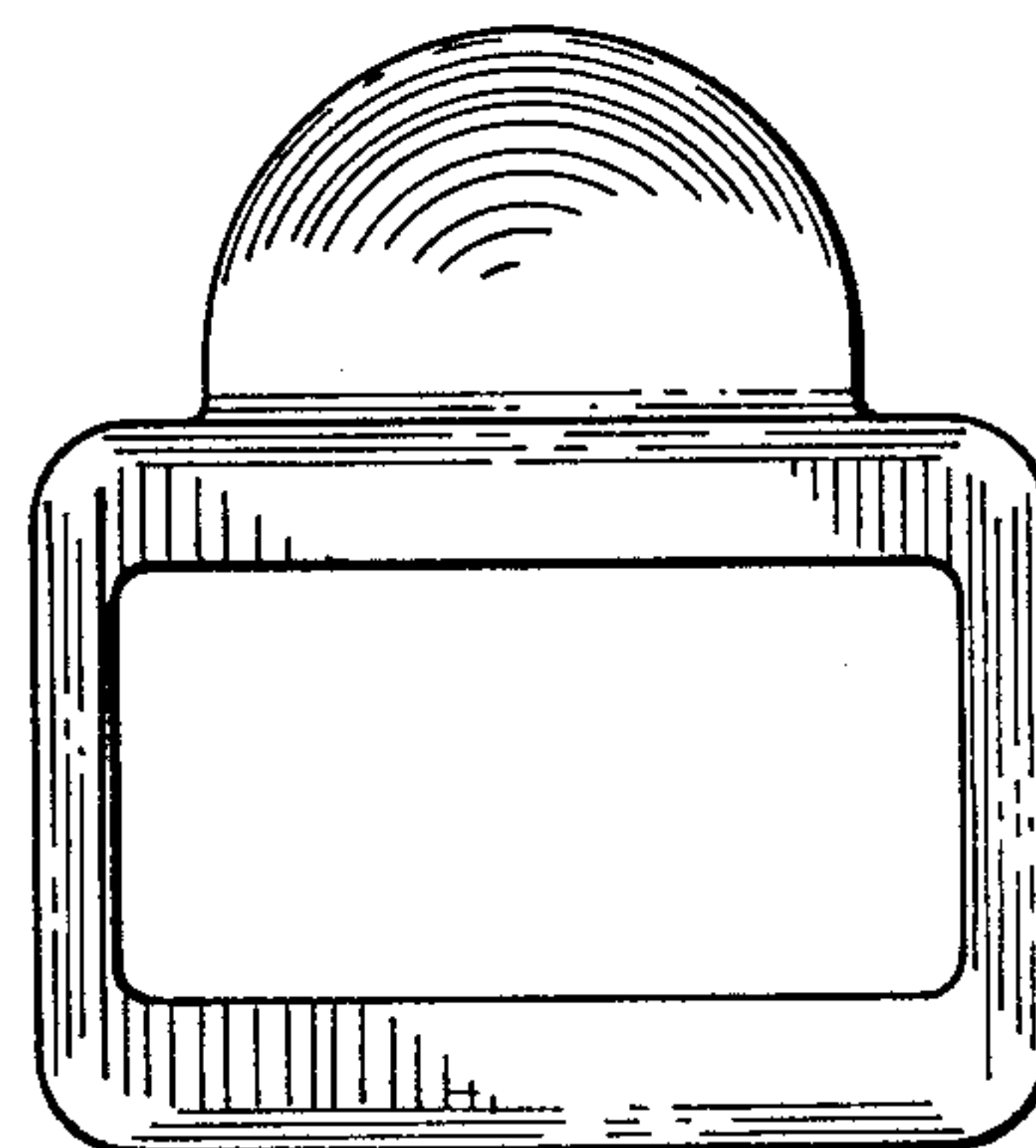


FIG. 3

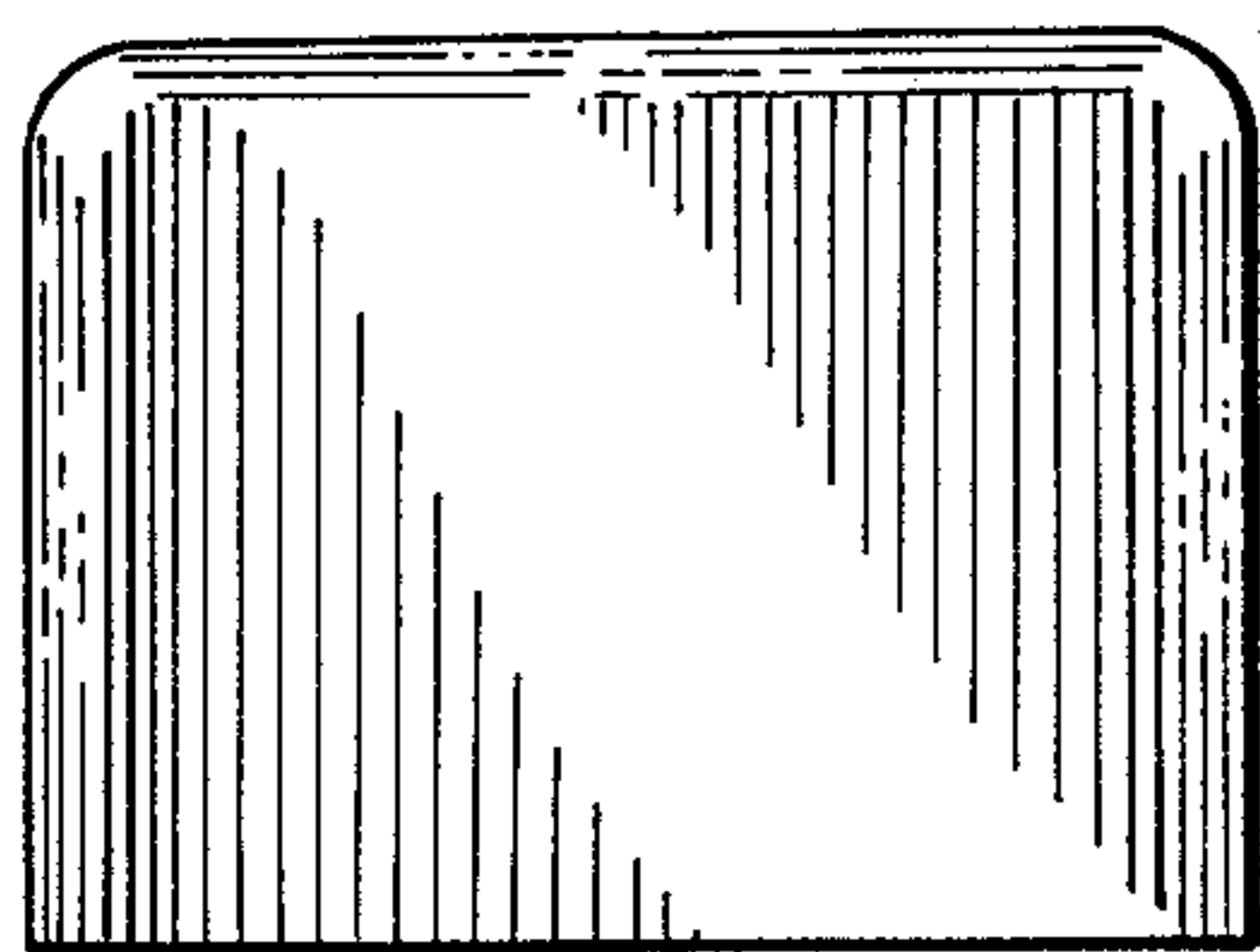


FIG. 4

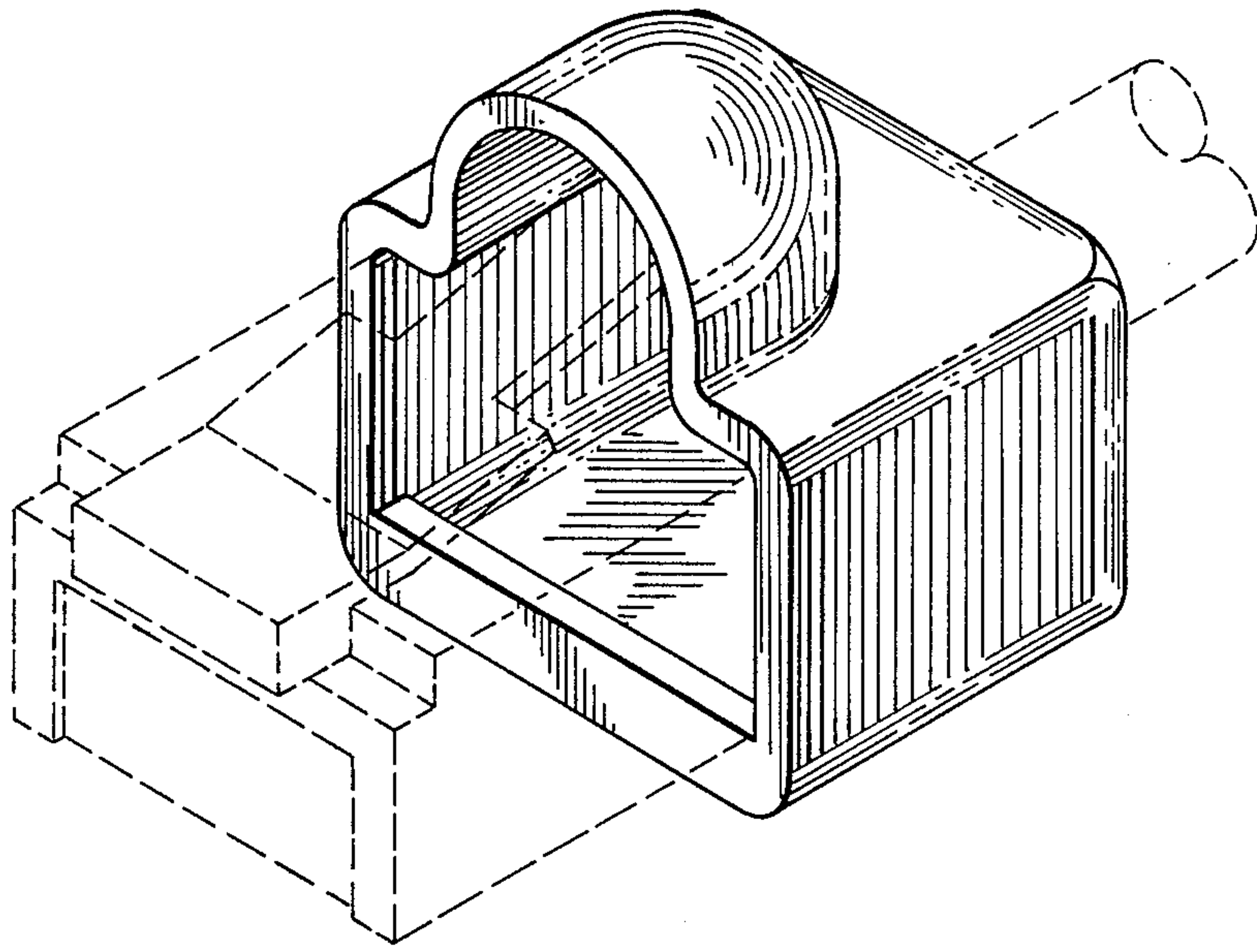


FIG. 5