

[54] ELECTRIC BATTERY

[75] Inventor: Juan A. Lopez-Doriga Lopez-Doriga, Madrid, Spain

[73] Assignee: Sociedad Espanola del Acumulador Tudor, S.A., Madrid, Spain

[**] Term: 14 Years

[21] Appl. No.: 122,007

[22] Filed: Nov. 18, 1987

[30] Foreign Application Priority Data

May 18, 1987 [ES] Spain 19,107
[52] U.S. Cl. D13/9
[58] Field of Search D13/4, 5, 8-10; 429/82, 89, 99, 100, 123, 151, 153, 159, 163, 175-178, 180, 187; 136/252, 259

[56] References Cited

U.S. PATENT DOCUMENTS

D. 266,757 11/1982 Campbell et al. D13/8
D. 292,576 11/1987 Kump et al. D13/8
3,689,322 9/1972 Lindenberg et al. 429/178

3,970,480 7/1976 Schmidt 429/82

FOREIGN PATENT DOCUMENTS

2442511 7/1980 France 429/175
4524934 8/1970 Japan 429/163

OTHER PUBLICATIONS

Aero-Digest, 5-1-1944, p. 75, storage battery on right.

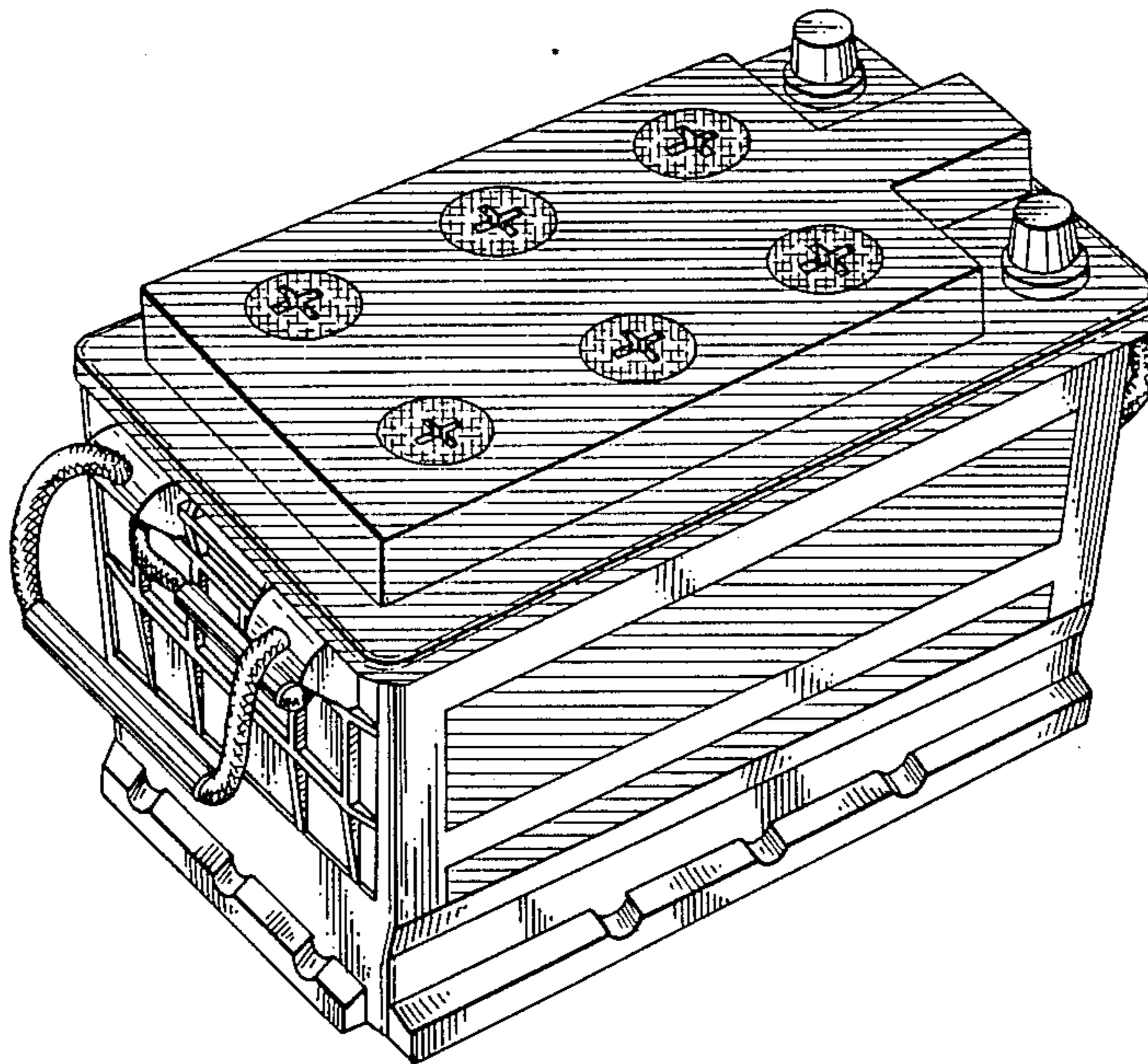
Primary Examiner—Bruce W. Dunkins
Assistant Examiner—Clare E. Heflin
Attorney, Agent, or Firm—St. Onge Steward Johnston & Reens

[57] CLAIM

The ornamental design for an electric battery, as shown and described.

DESCRIPTION

FIG. 1 is a perspective view of the front and right sides of an electric battery showing my new design; FIG. 2 is a left side elevation view thereof; FIG. 3 is a rear elevation view thereof; and FIG. 4 is a bottom plan view thereof. The drawings are lined to show color.



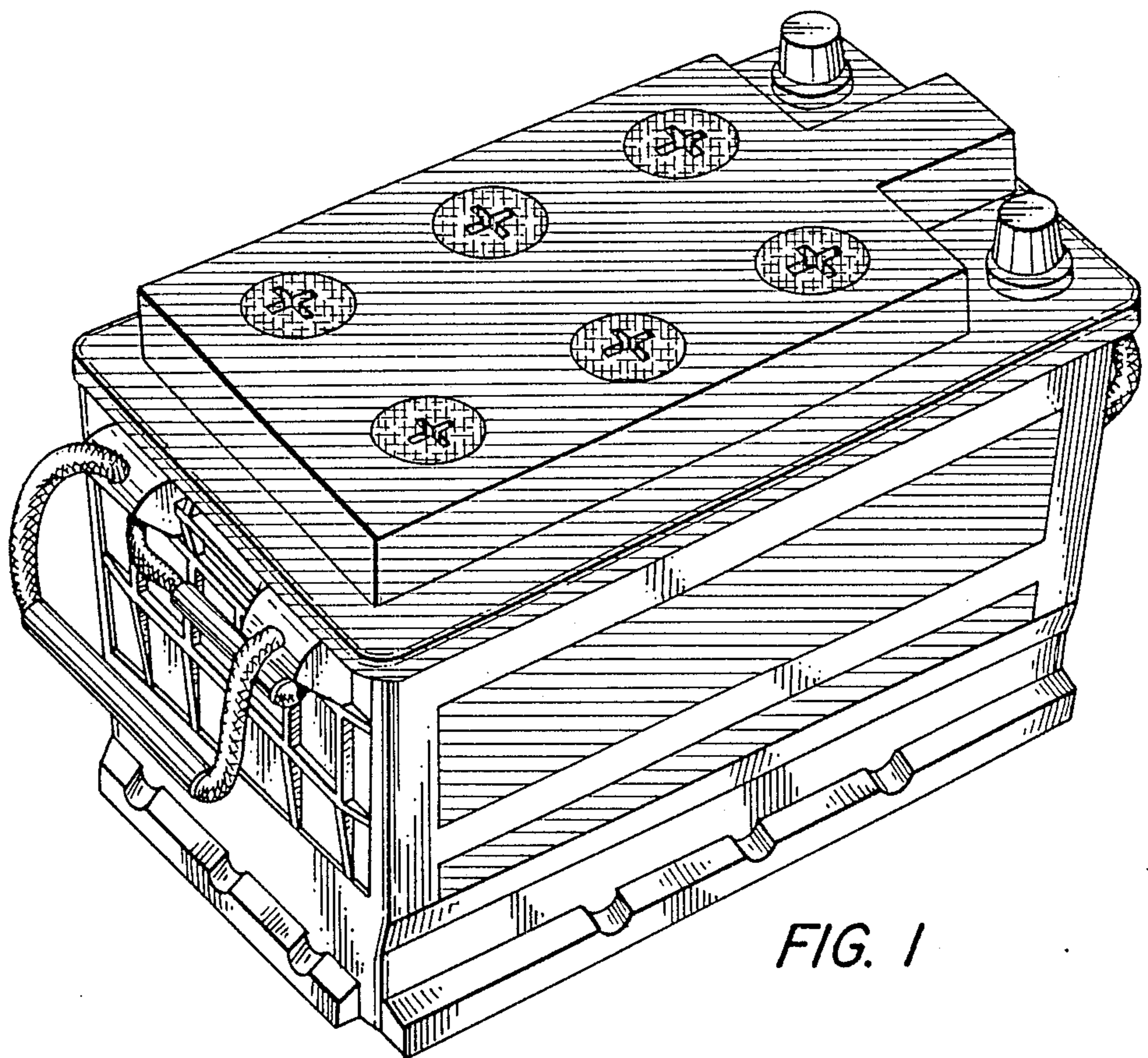


FIG. 1

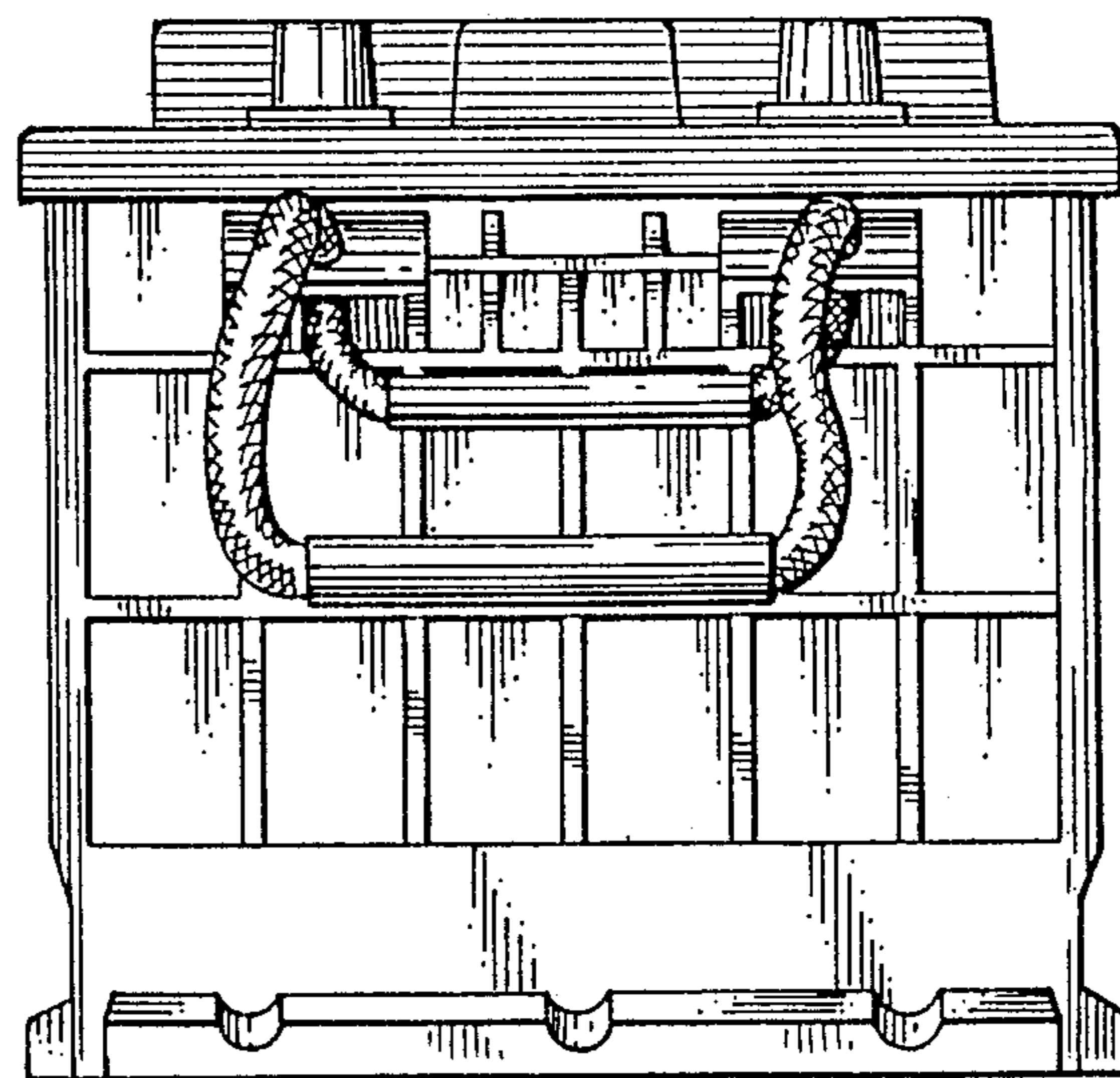


FIG. 2

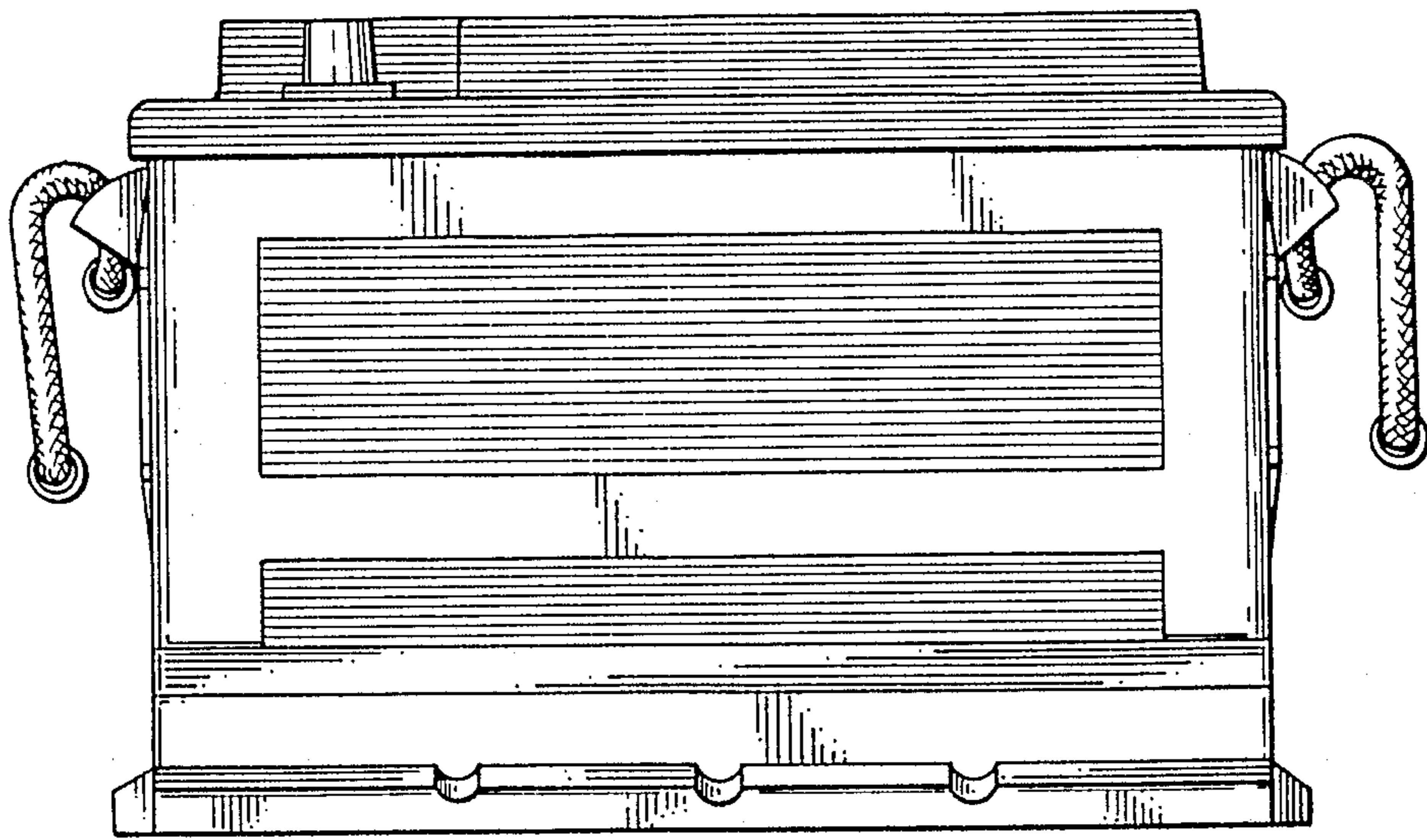


FIG. 3

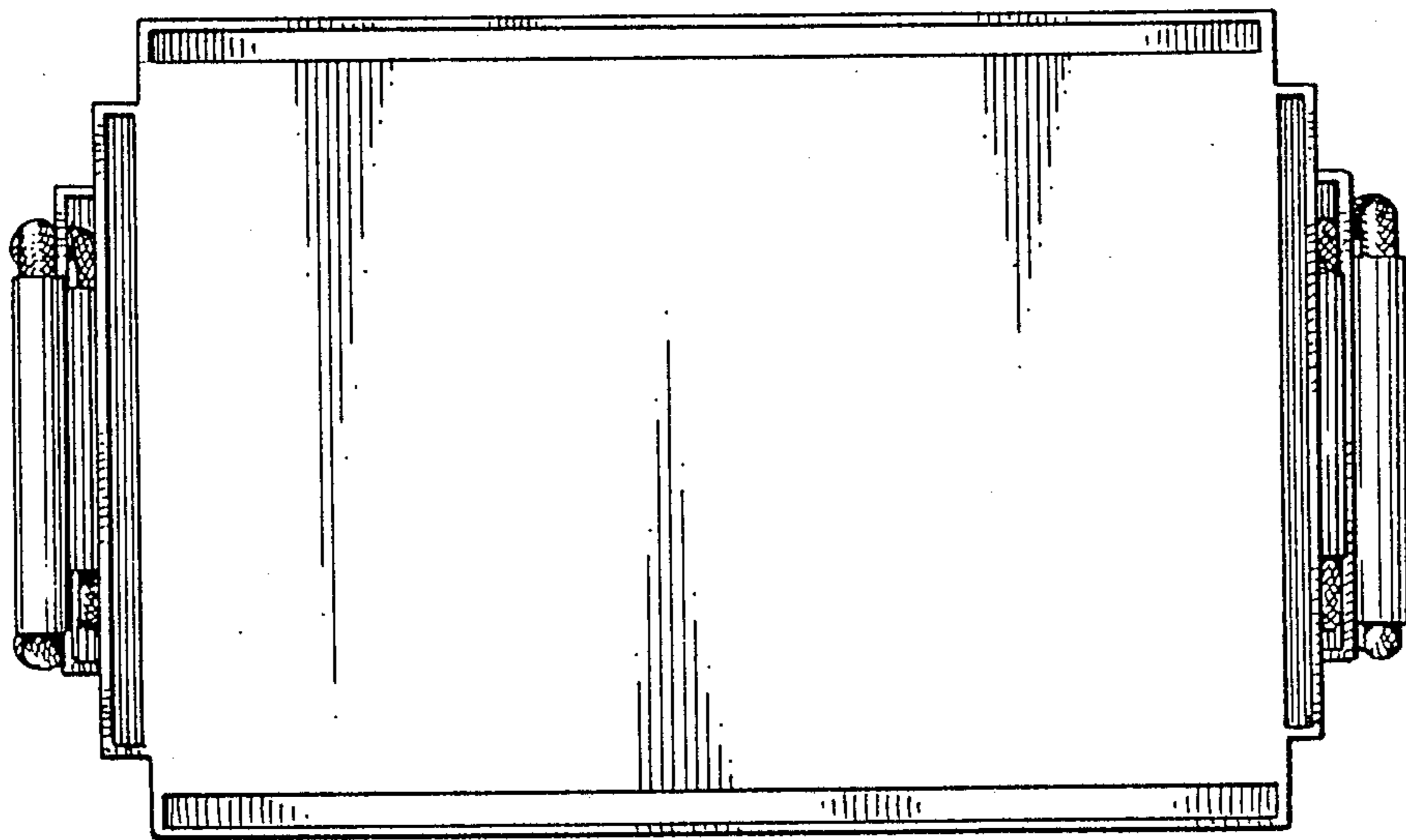


FIG. 4