

- [54] **SOLAR BATTERY CONTAINER**
- [76] **Inventor: Mathew A. Strumor, 91631 Overseas Hwy., Tavernier, Fla. 33070**
- [**] **Term: 14 Years**
- [21] **Appl. No.: 901,466**
- [22] **Filed: Aug. 28, 1986**
- [52] **U.S. Cl. D13/5**
- [58] **Field of Search D13/8-10, D13/4-6, 11-12, 41; 320/2-5, 48, 61; 429/97-100, 149, 151, 163, 175-176; 136/243, 259**

- [56] **References Cited**
- U.S. PATENT DOCUMENTS**
- | | | | | |
|-----------|--------|---------|-------|--------|
| 1,501,832 | 7/1924 | Amend | | D13/9 |
| 1,554,300 | 9/1925 | Sellers | | D13/10 |
| 3,963,972 | 6/1976 | Todd | | 429/97 |

FOREIGN PATENT DOCUMENTS

1071644 9/1954 France 429/98

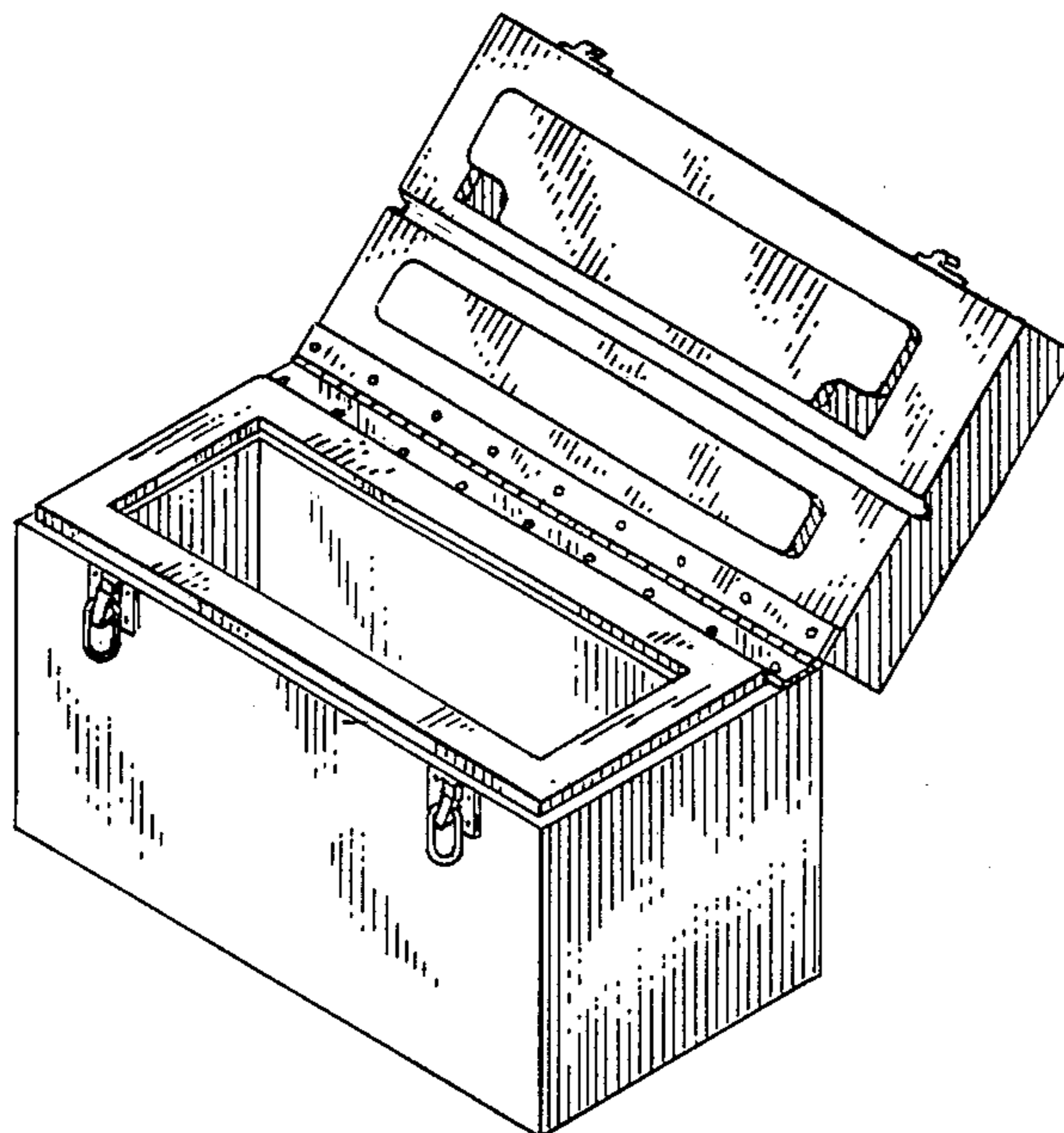
Primary Examiner—Bruce W. Dunkins
Assistant Examiner—Ruth Takemoto
Attorney, Agent, or Firm—Malin, Haley & McHale

[57] **CLAIM**

The ornamental design for a solar battery container, as shown and described.

DESCRIPTION

FIG. 1 is a top plan view of a solar battery container showing my new design;
FIG. 2 is a front elevational view thereof;
FIG. 3 is a rear elevational view thereof;
FIG. 4 is a right side elevational view thereof, the left side being a mirror image;
FIG. 5 is a bottom plan view thereof; and
FIG. 6 is an isometric view thereof in an open condition.



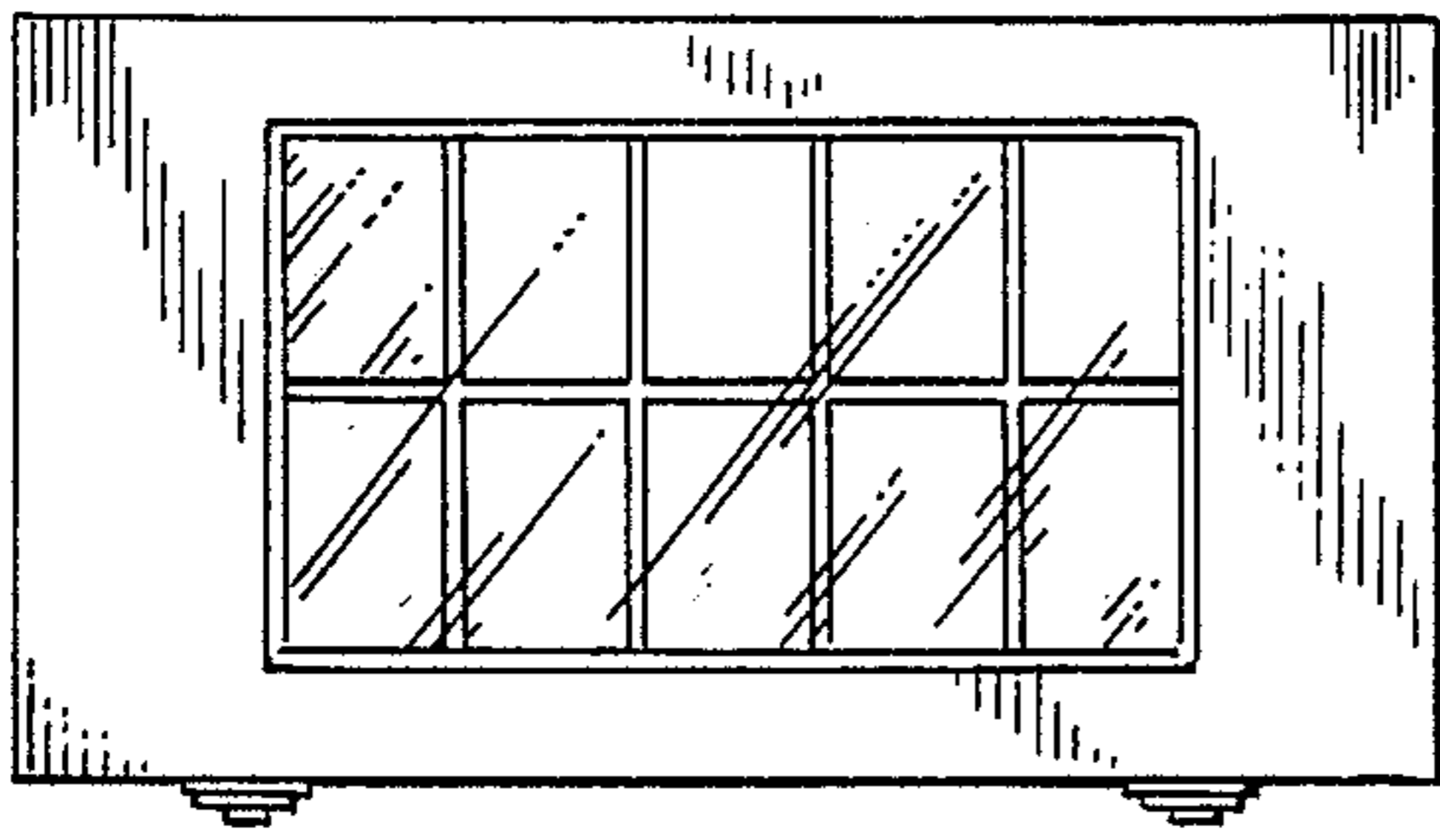


Fig. 1.

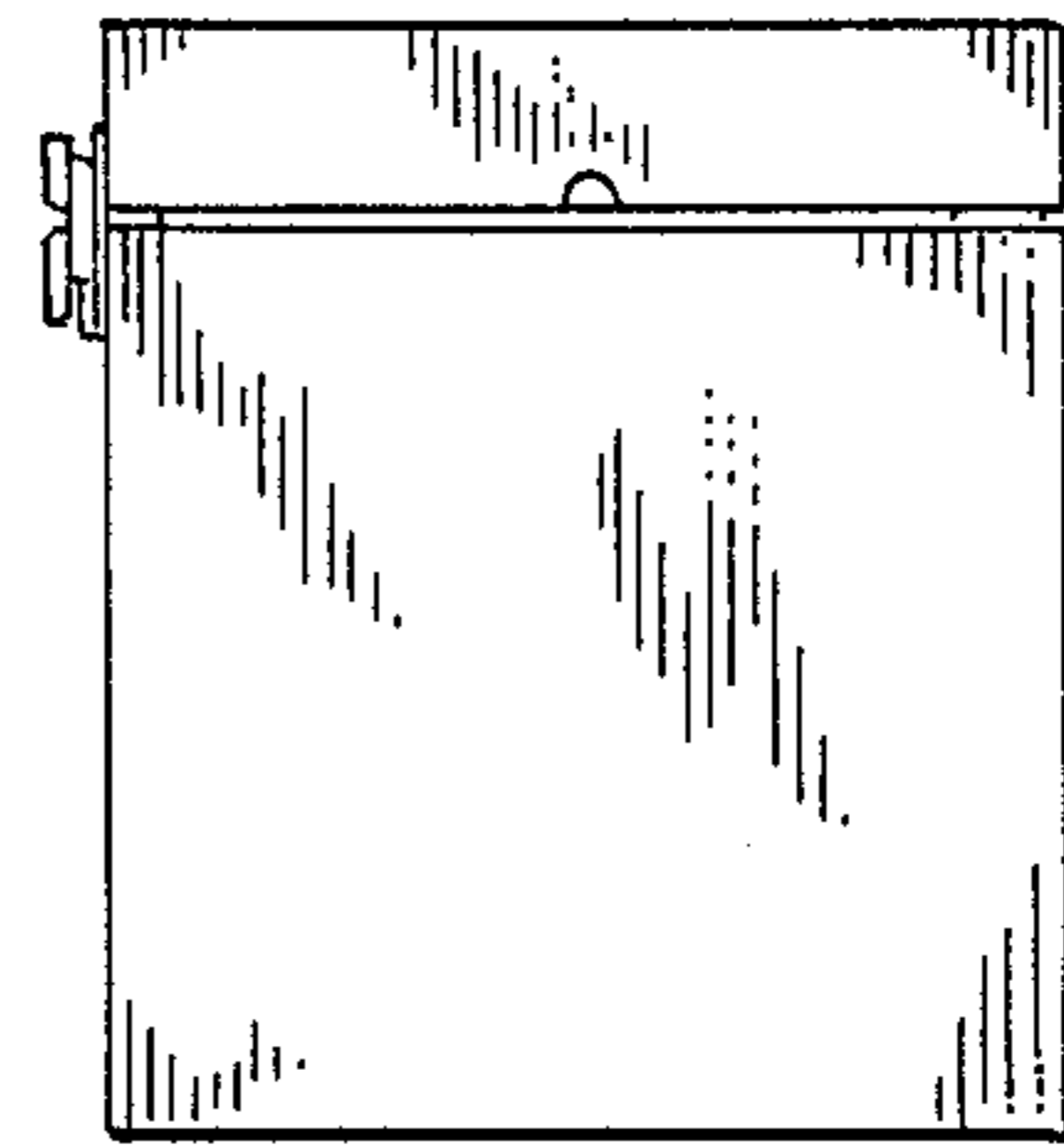


Fig. 4.

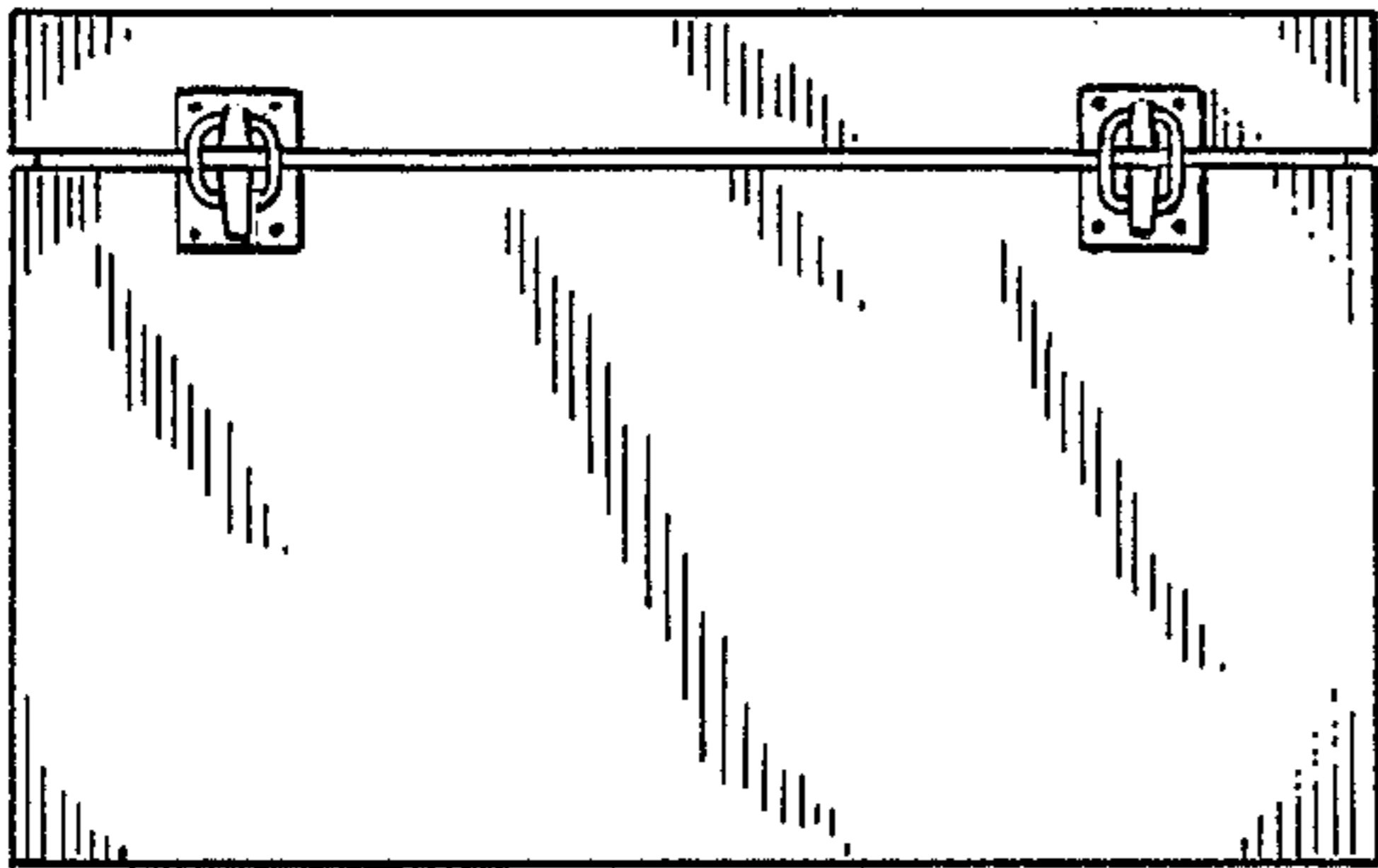


Fig. 2.

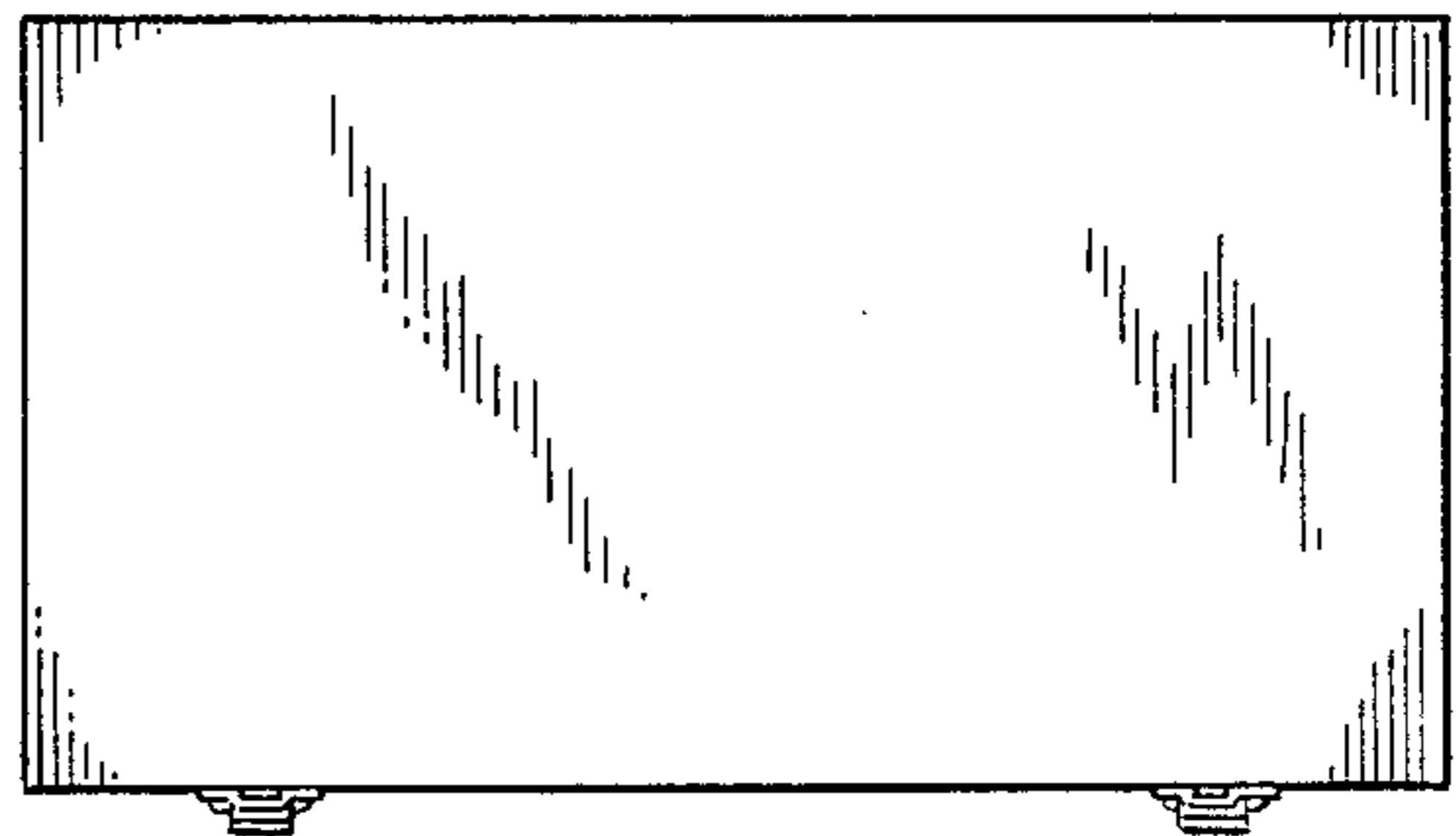


Fig. 5.

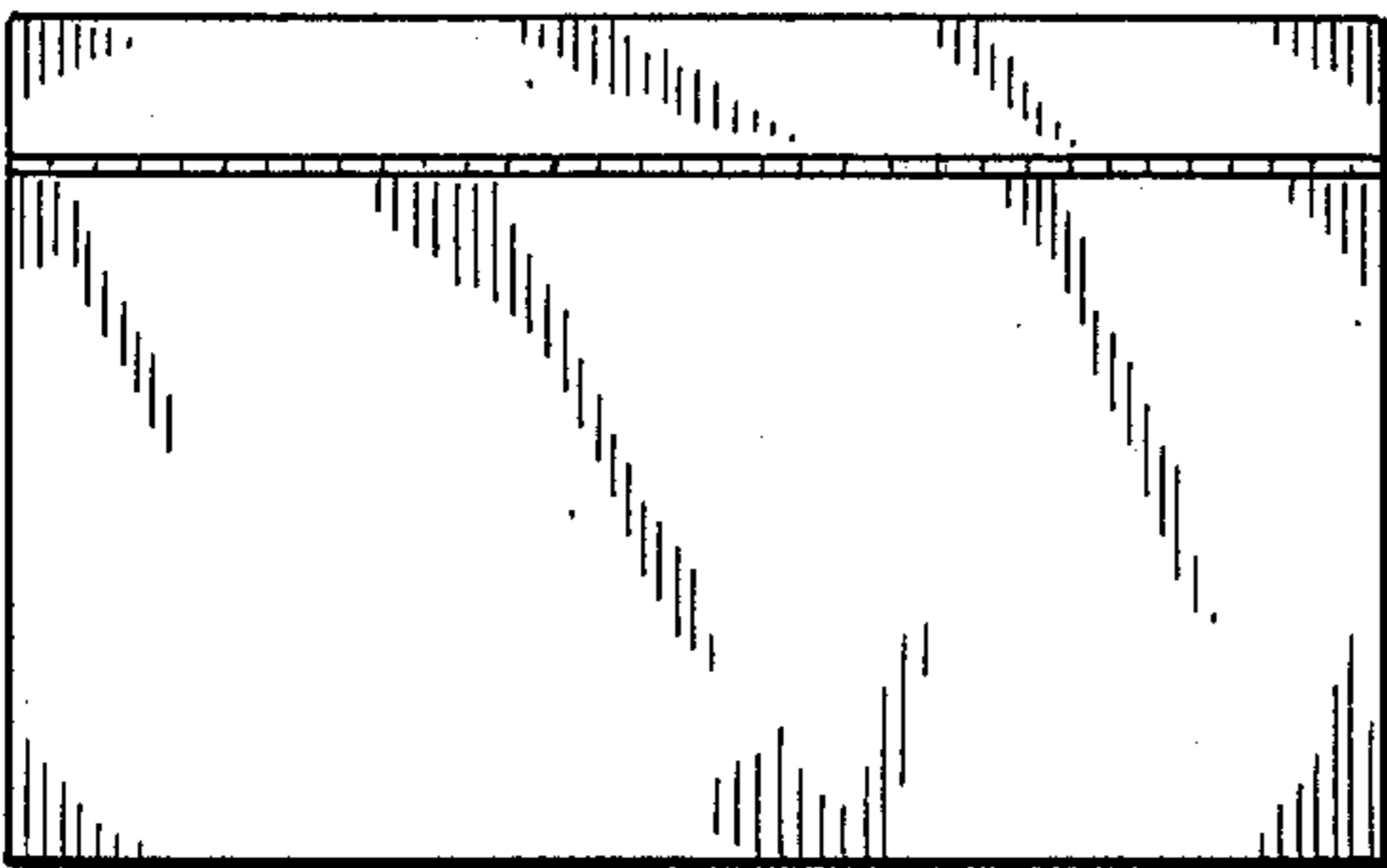


Fig. 3.

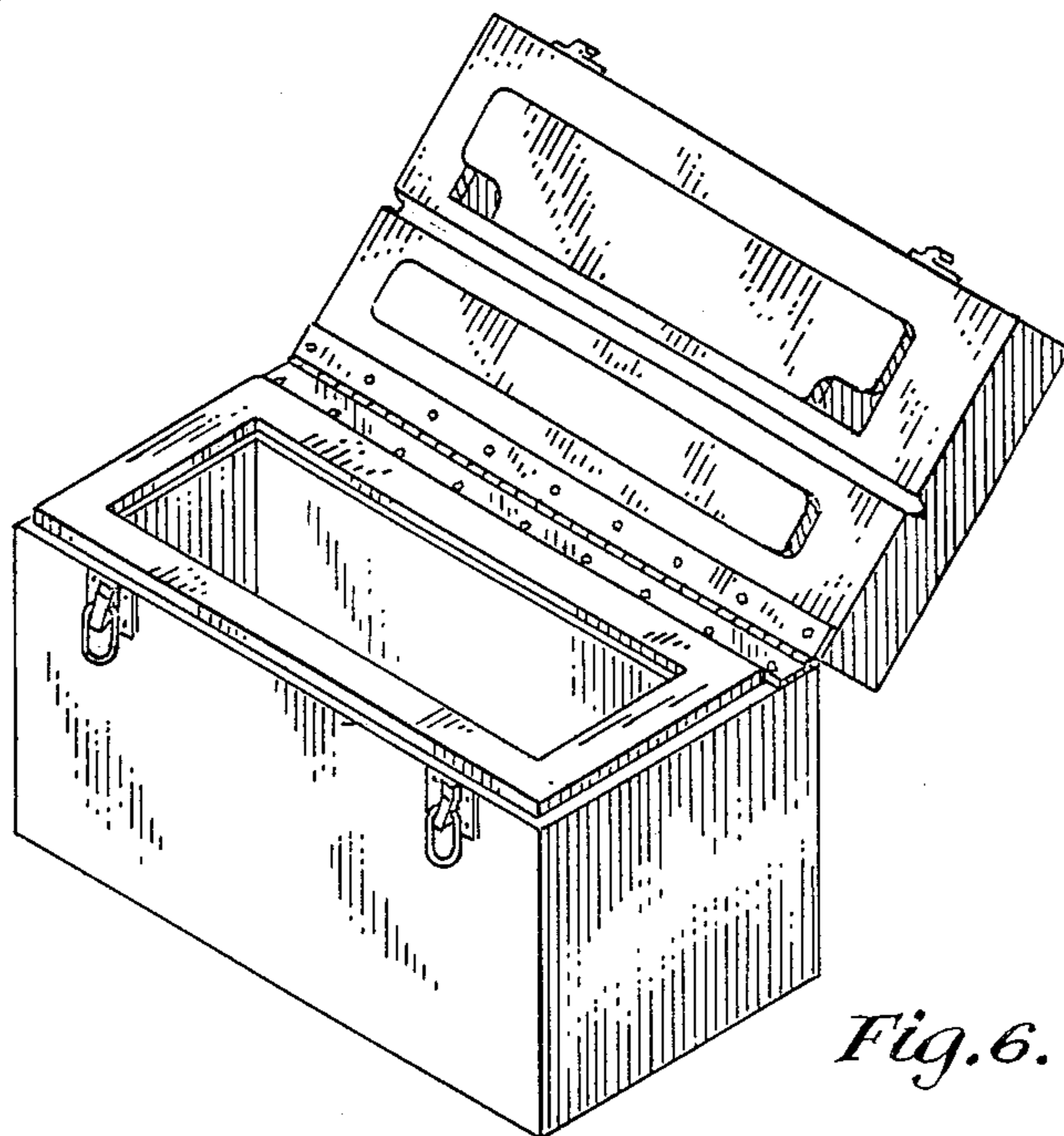


Fig. 6.