

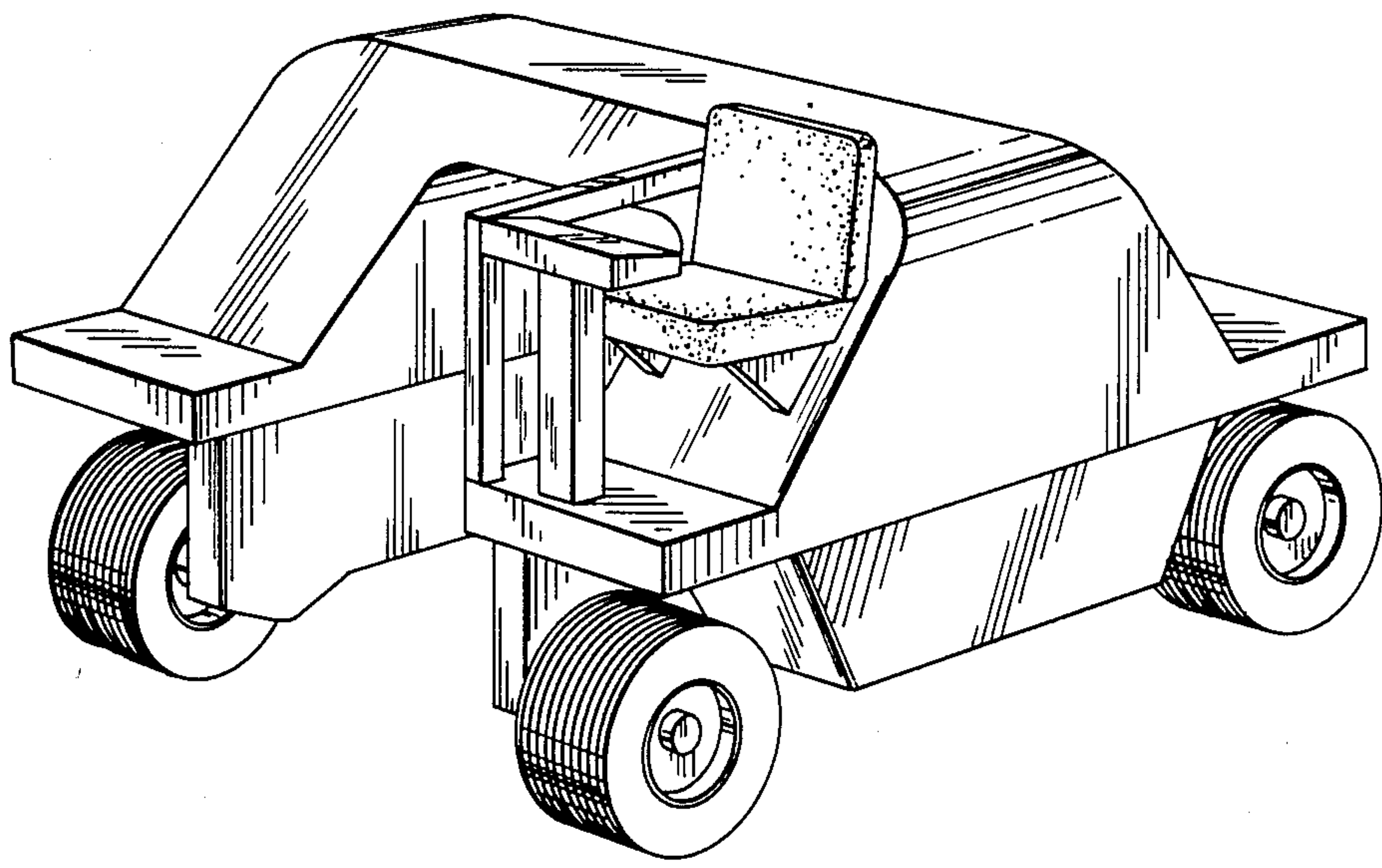
[54] **PRIME MOVER VEHICLE FOR PULLING OR LIFTING A LOAD**
[76] **Inventor: Charles A. Knierim, 7217 E. Lincoln, Wichita, Kans. 67207**
[**] **Term: 14 Years**
[21] **Appl. No.: 7,259**
[22] **Filed: Jan. 27, 1987**
[52] **U.S. Cl. D12/1**
[58] **Field of Search D34/34; D12/1; 414/460; 212/205, 206**

[56] **References Cited**
U.S. PATENT DOCUMENTS
D. 235,984 7/1975 Crovatto et al. D12/1
4,219,094 8/1980 Sturgill 414/460
4,706,570 11/1987 Moro et al. 212/206
4,776,748 10/1988 Klein 414/460

Primary Examiner—James M. Gandy
Assistant Examiner—Melody N. Brown
Attorney, Agent, or Firm—Kokjer, Kircher, Bradley, Wharton, Bowman & Johnson

[57] **CLAIM**
The ornamental design for a prime mover vehicle for pulling or lifting a load, as shown and described.

DESCRIPTION
FIG. 1 is a front perspective view of a prime mover vehicle for pulling or lifting a load embodying my new design;
FIG. 2 is a side elevational view thereof, the side opposite being substantially a mirror image of the side shown;
FIG. 3 is a front elevational view thereof;
FIG. 4 is a top plan view thereof; and
FIG. 5 is a rear elevational view thereof.



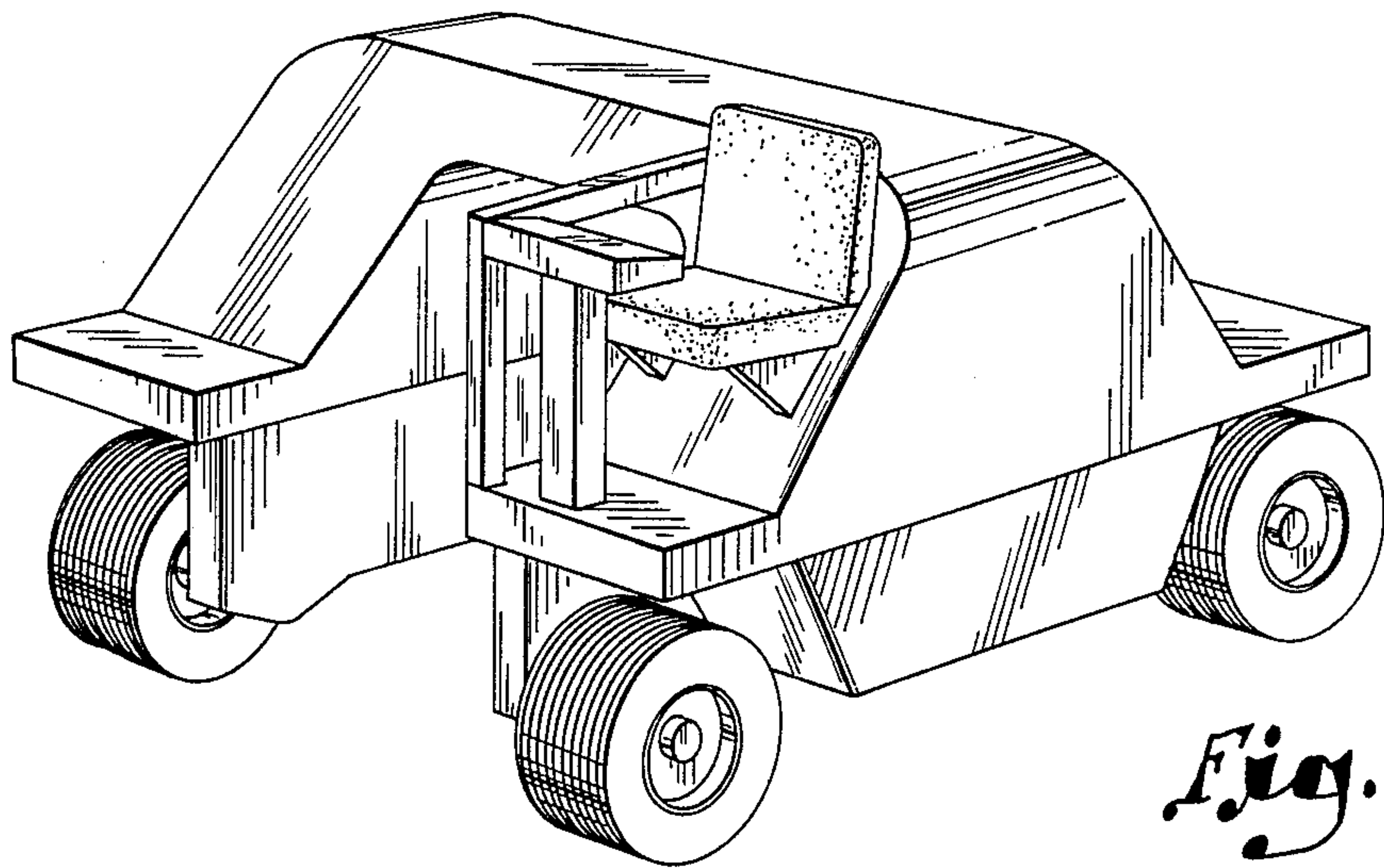


Fig. 1.

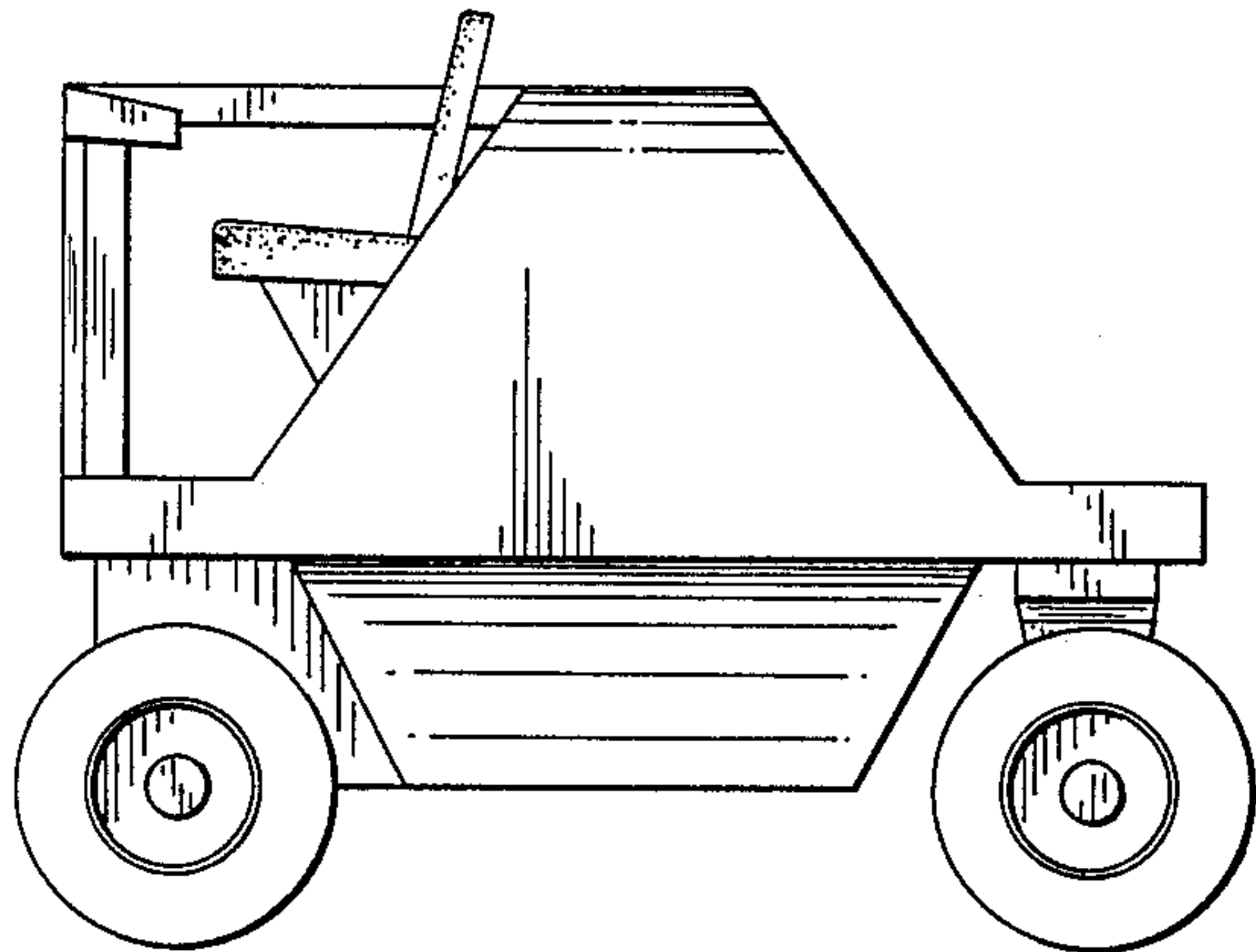


Fig. 2.

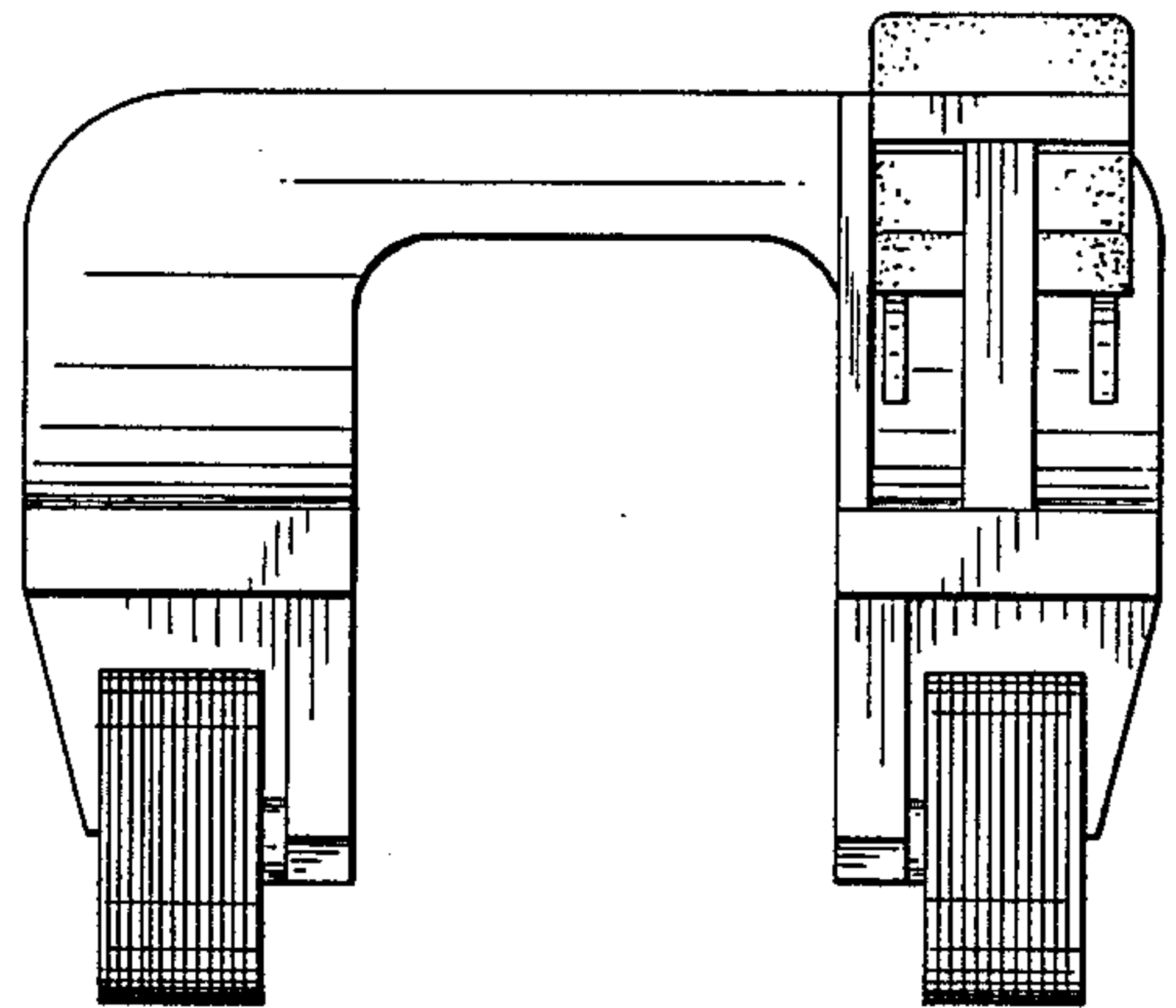


Fig. 3.

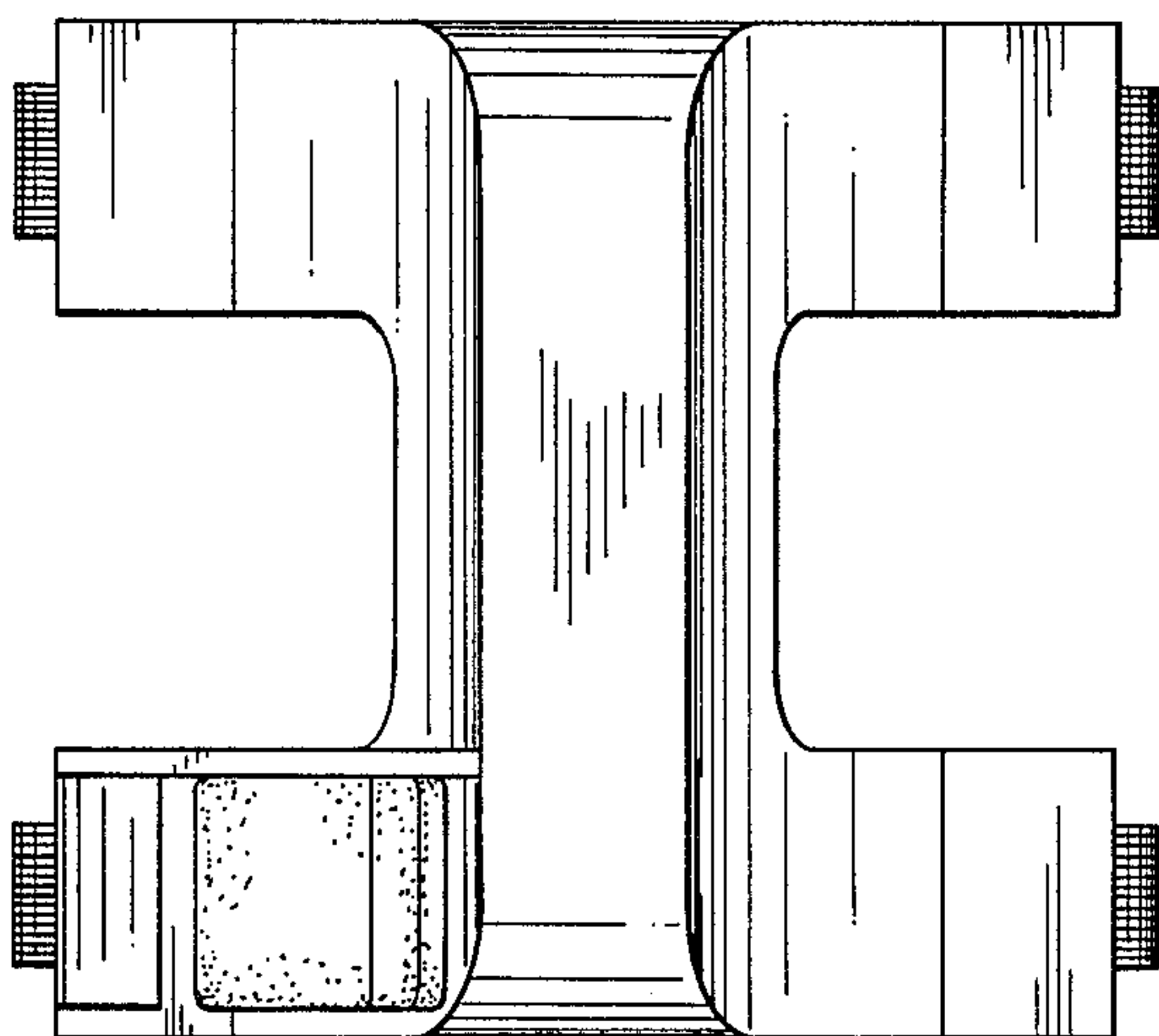


Fig. 4.

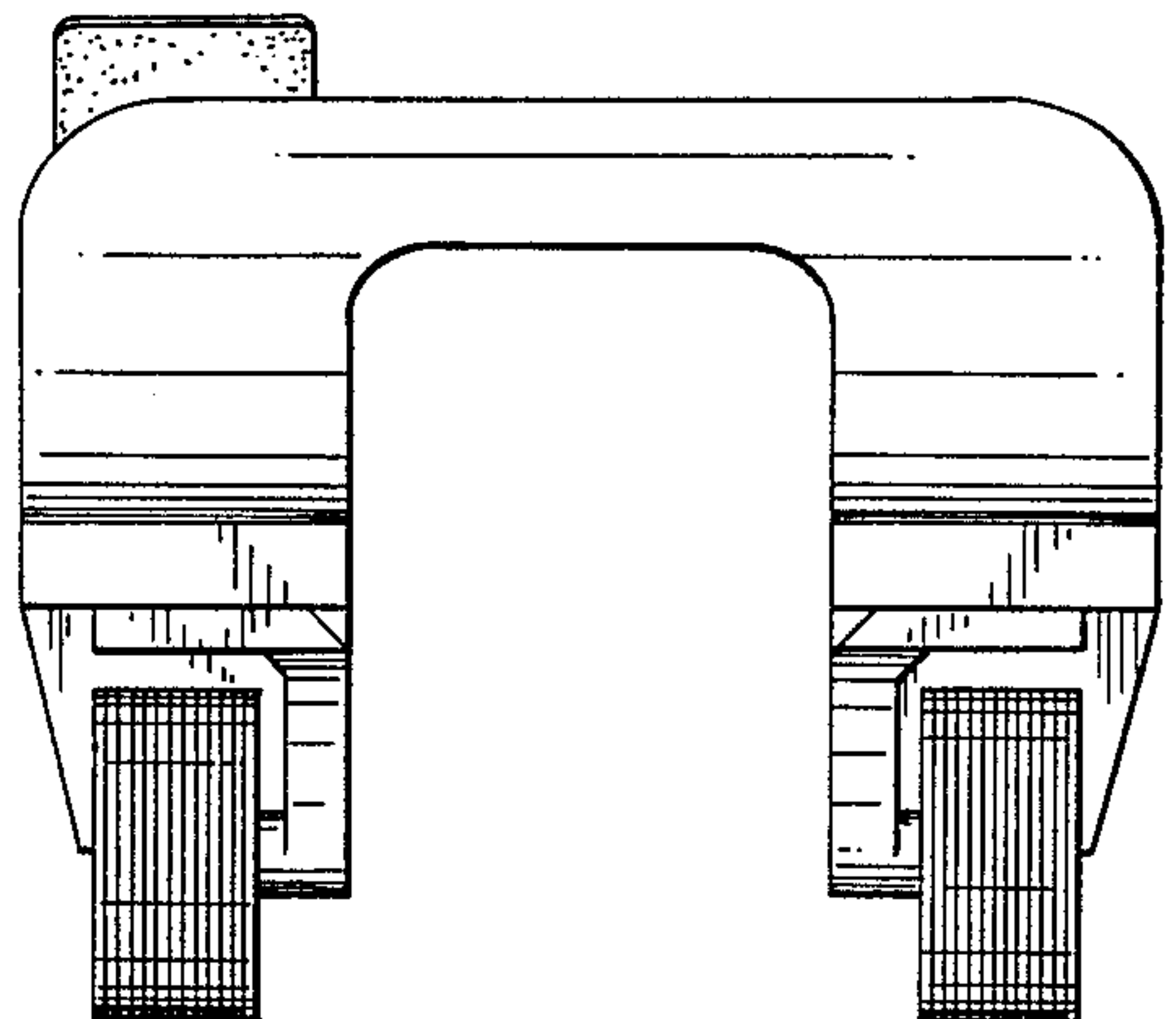


Fig. 5.