

[54] SLIDER PULL TAB FOR SLIDE FASTENER

[75] Inventor: Hiroo Minami, Uozu, Japan

[73] Assignee: Yoshida Kogyo K. K., Tokyo, Japan

[\*\*] Term: 14 Years

[21] Appl. No.: 83,967

[22] Filed: Aug. 11, 1987

[30] Foreign Application Priority Data

May 1, 1987 [JP] Japan ..... 62-17512

[52] U.S. Cl. .... D11/221

[58] Field of Search ..... D11/221, 200, 201;  
24/381, 385, 415, 417, 427-431

[56] References Cited

U.S. PATENT DOCUMENTS

2,060,830 11/1936 Silberman ..... D11/221  
2,299,846 8/1939 Poux ..... D11/221

Primary Examiner—Louis S. Zarfes  
Assistant Examiner—R. Seifert  
Attorney, Agent, or Firm—Hill, Van Santen, Steadman & Simpson

[57] CLAIM

The ornamental design for slider pull tab for slide fastener, as shown and described.

DESCRIPTION

FIG. 1 is a front elevational view of a slider pull tab for slide fastener showing my new design;  
FIG. 2 is a top plan view;  
FIG. 3 is a bottom plan view;  
FIG. 4 is a right side elevational view;  
FIG. 5 is a cross-sectional view of the line 5—5;  
FIG. 6 is a cross-sectional view taken on the line 6—6.

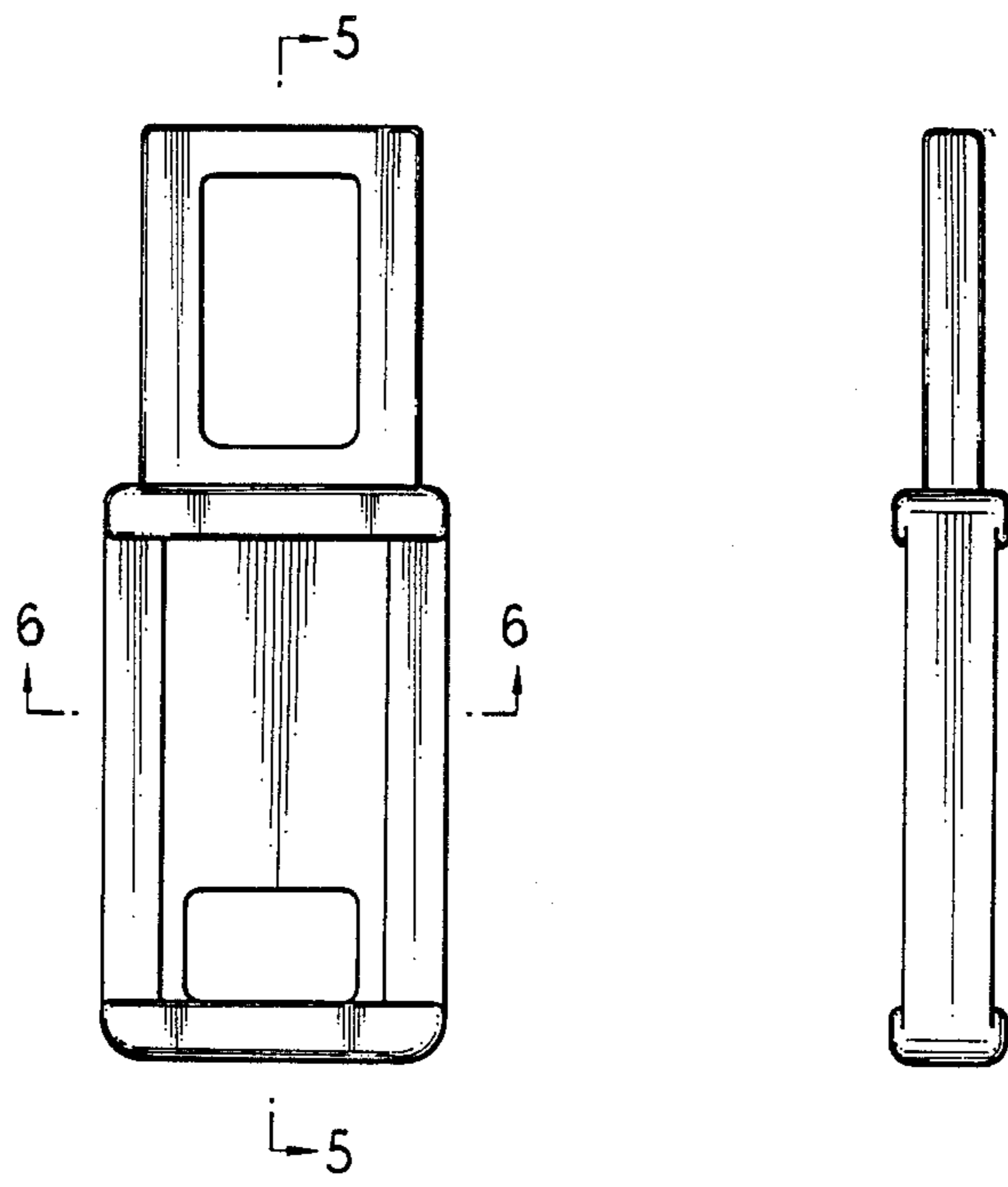


FIG. 1

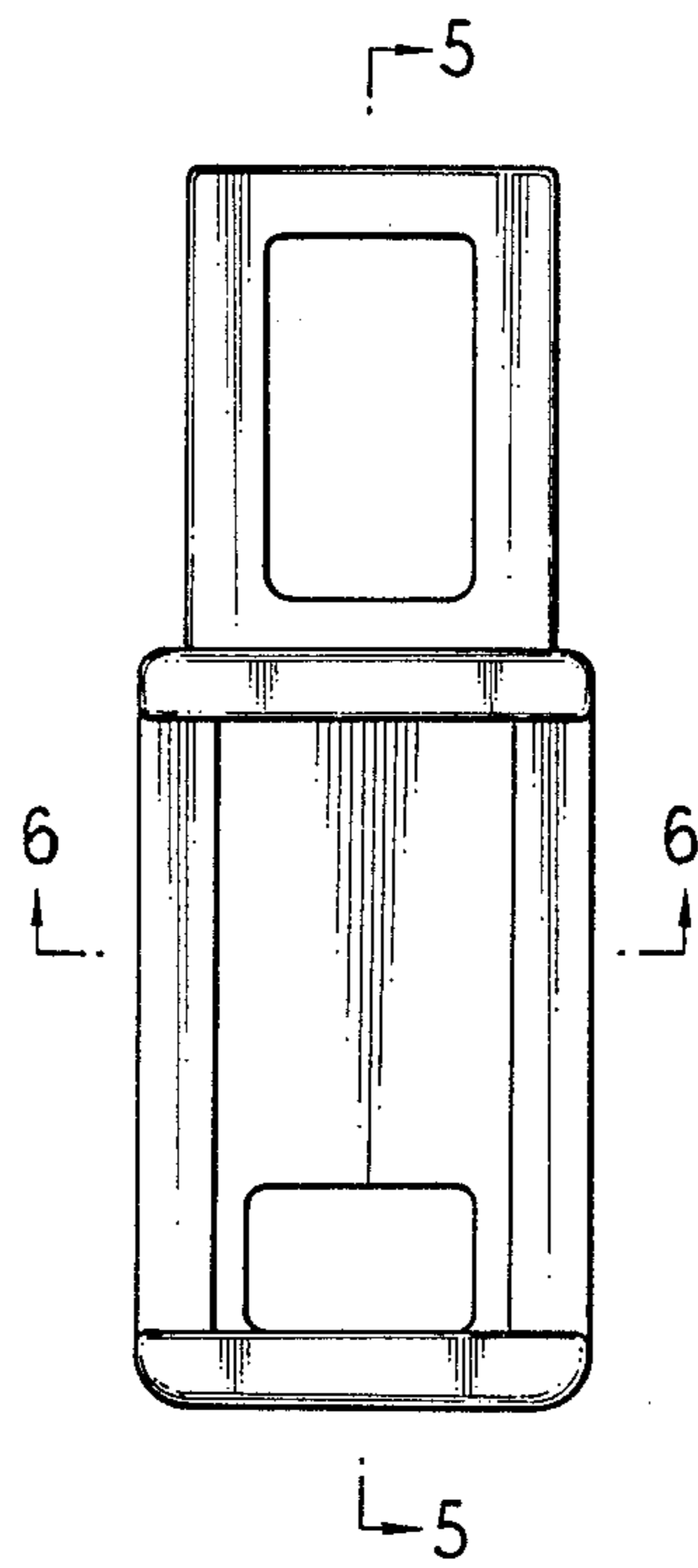


FIG. 4

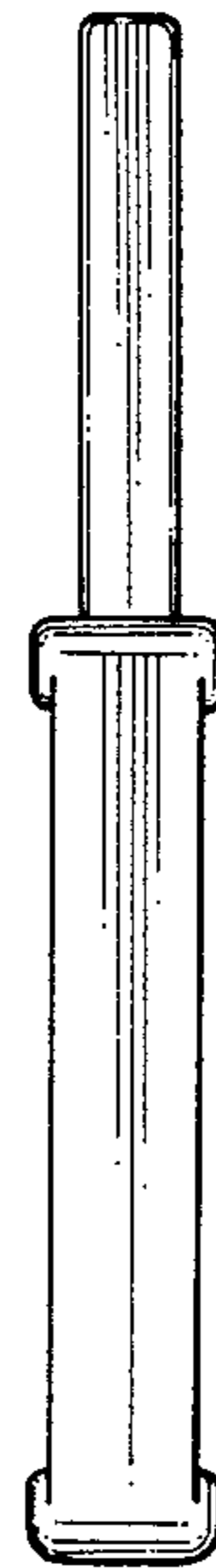


FIG. 2

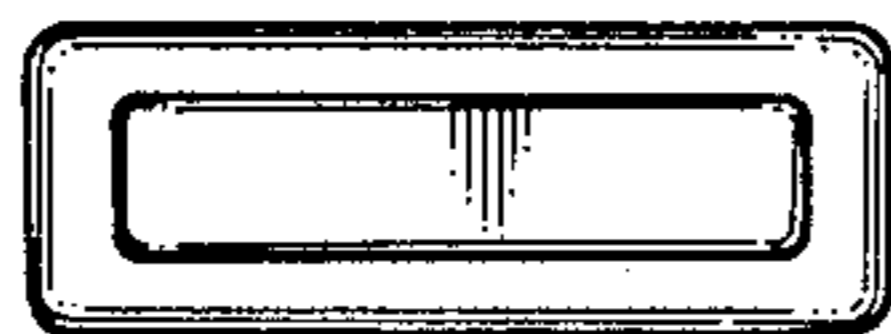


FIG. 3



FIG. 5



FIG. 6

