

[54] FASTENER FOR CLOTHING

[75] Inventor: Yoshihiro Aoki, Tokyo, Japan

[73] Assignee: Application Art Laboratories Co., Ltd., Tokyo, Japan

[\*\*] Term: 14 Years

[21] Appl. No.: 873,401

[22] Filed: Jun. 12, 1986

[52] U.S. Cl. .... D11/220

[58] Field of Search ..... D11/220; 24/580, 588, 24/682, 618, 614, 662, 663, 695

[56] References Cited

U.S. PATENT DOCUMENTS

D. 27,537	8/1897	Richardson	.....	D11/220
628,618	7/1899	Adams	.....	24/695
643,679	2/1900	Phillips	.....	24/695
772,158	10/1904	Lane	.....	24/662
777,951	12/1904	Hyde	.....	24/695
2,174,521	10/1939	Lancaster	.....	D11/220
2,798,273	7/1957	Meyer	.....	D11/220

Primary Examiner—B. J. Bullock

Assistant Examiner—R. T. Seifert

Attorney, Agent, or Firm—Wenderoth, Lind & Ponack

[57] CLAIM

The ornamental design for fastener for clothing, as shown and described.

DESCRIPTION

FIG. 1 is a top plan view of a fastener for clothing showing my new design;  
 FIG. 2 is a left side elevational view thereof;  
 FIG. 3 is a rear elevational view thereof;  
 FIG. 4 is a front elevational view thereof;  
 FIG. 5 is a perspective view of FIG. 1;  
 FIG. 6 is a top plan view of one part of fastener for clothing, shown separated for ease of illustration;  
 FIG. 7 is a side elevational view taken from the left of FIG. 6;  
 FIG. 8 is a rear elevational view of FIG. 6;  
 FIG. 9 is a front elevational view of FIG. 6;  
 FIG. 10 is a perspective view of FIG. 6;  
 FIG. 11 is a top plan view of the part which mates with that of FIG. 6, shown separated for ease of illustration;  
 FIG. 12 is a side elevational view taken from the left of FIG. 11;  
 FIG. 13 is a rear elevational view of FIG. 11;  
 FIG. 14 is a front elevational view of FIG. 11;  
 FIG. 15 is a perspective view of FIG. 11.

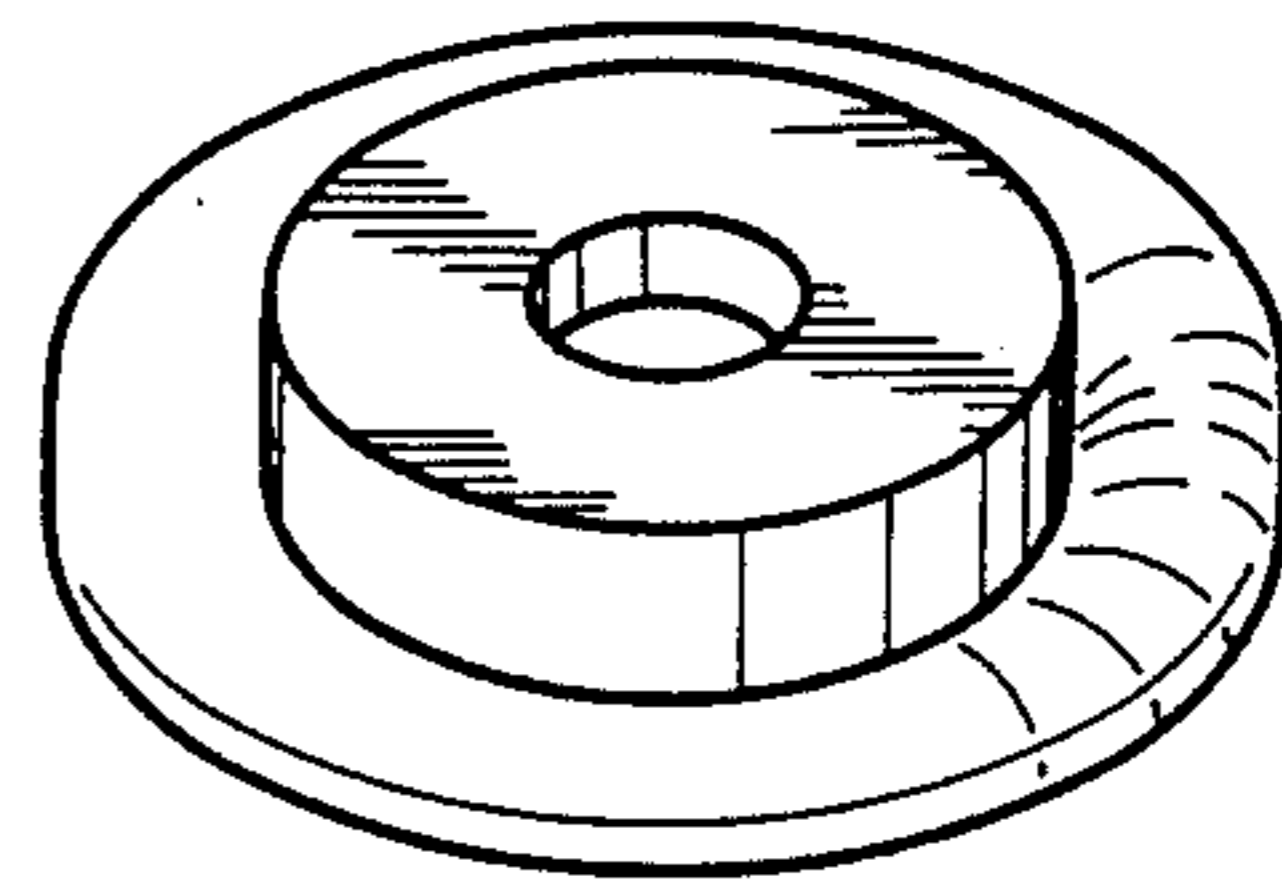
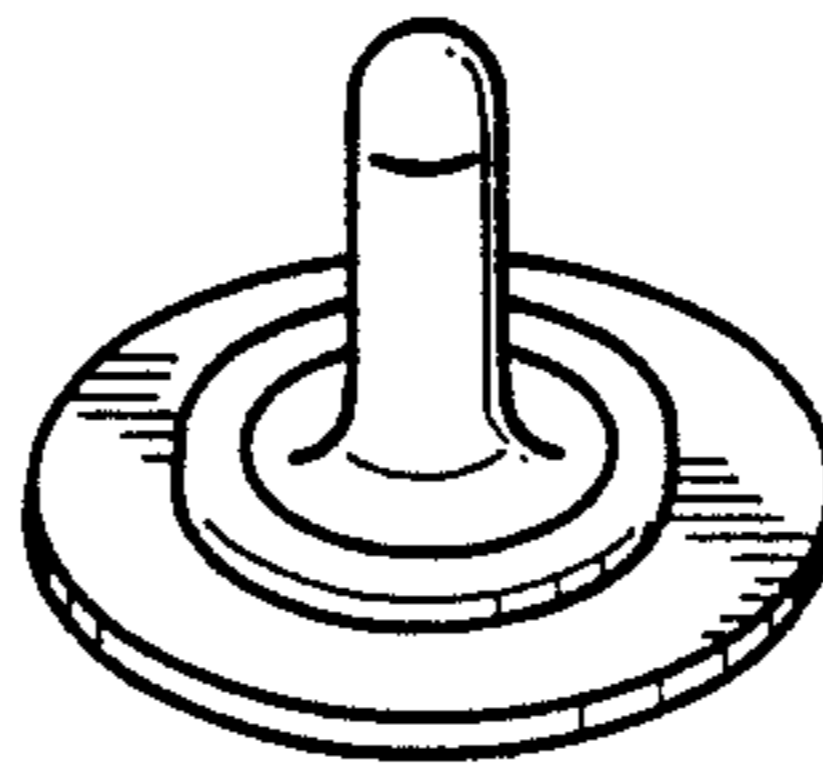
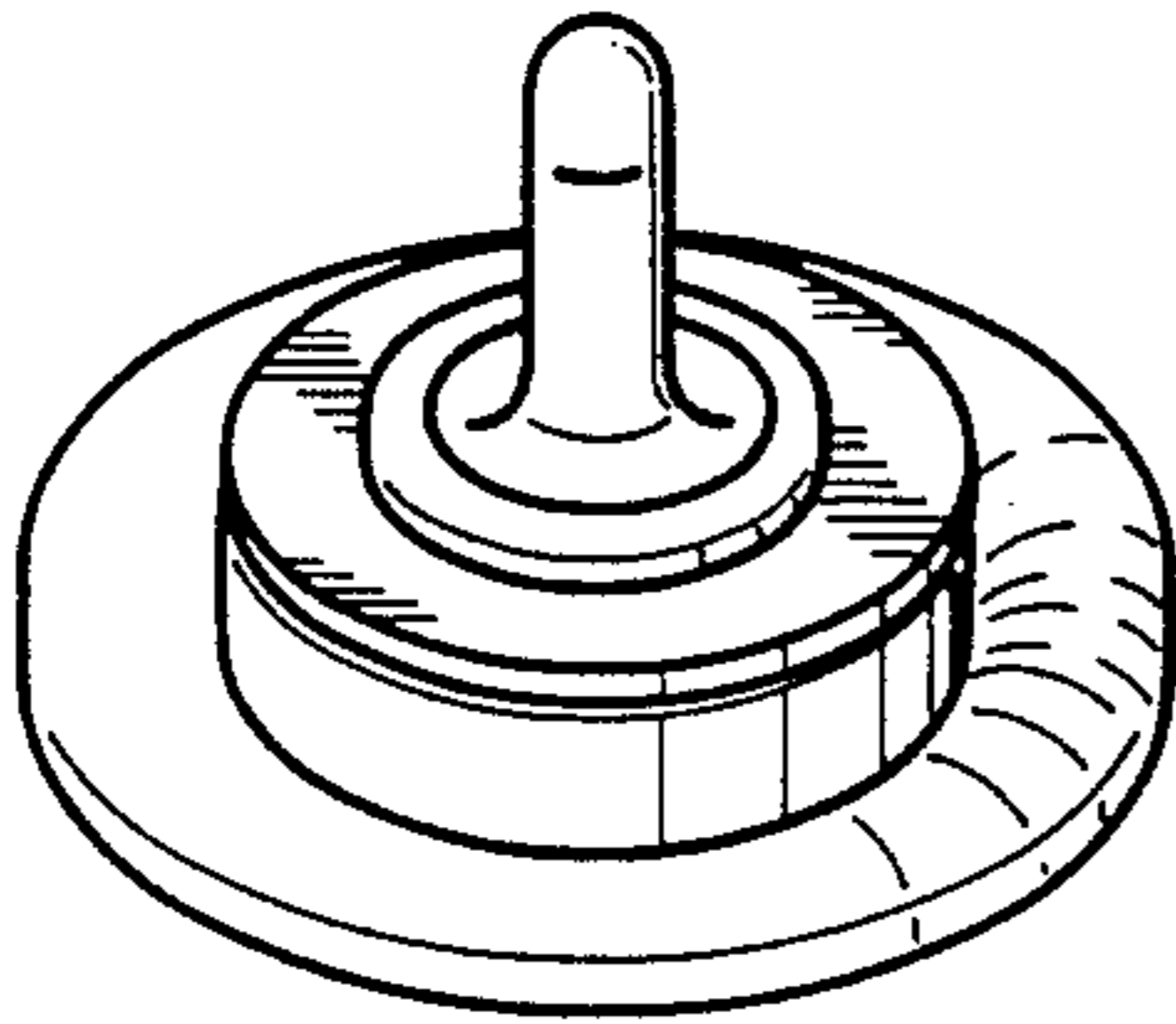


FIG. 1

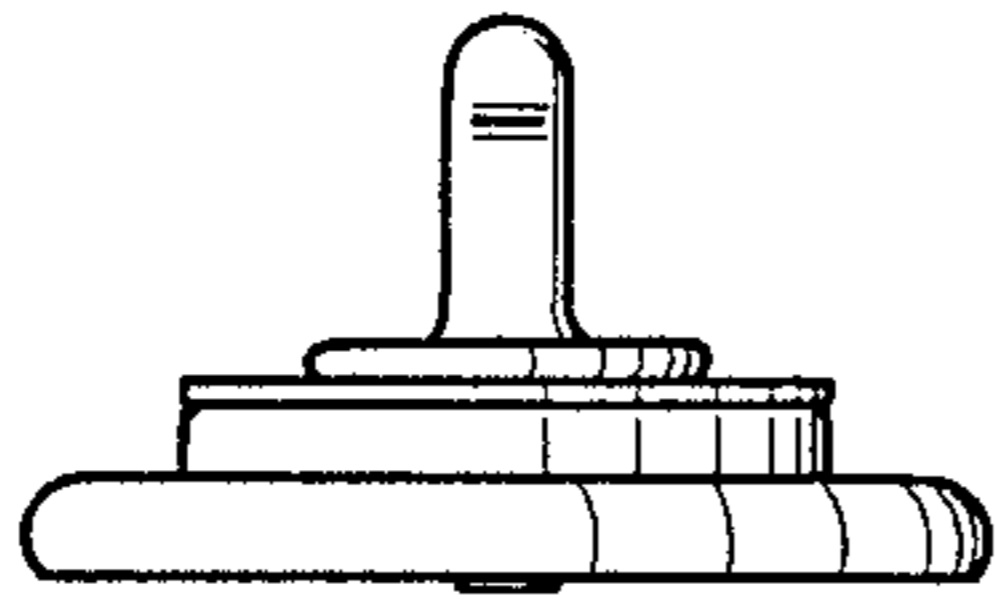


FIG. 2

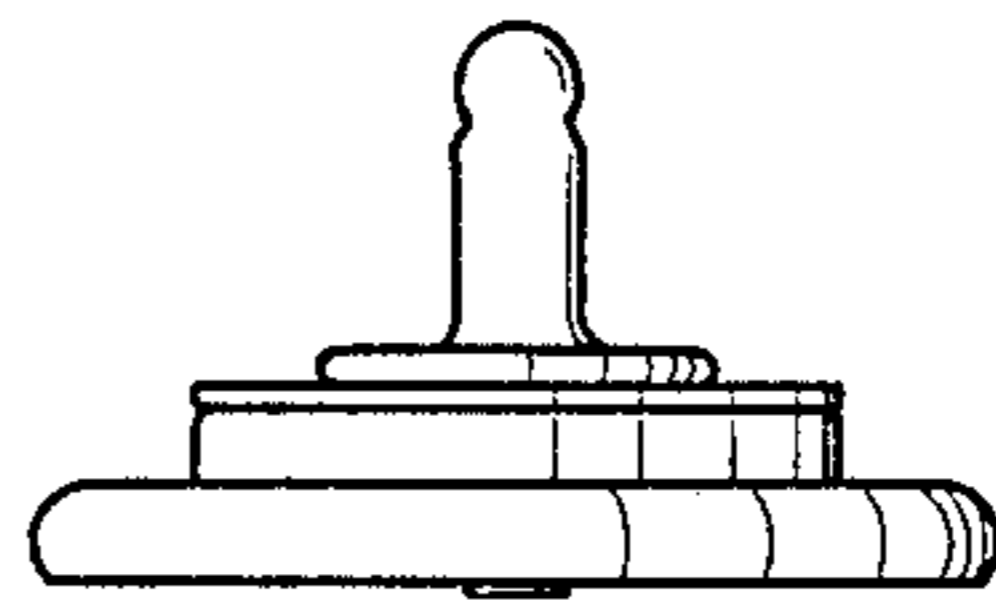


FIG. 3

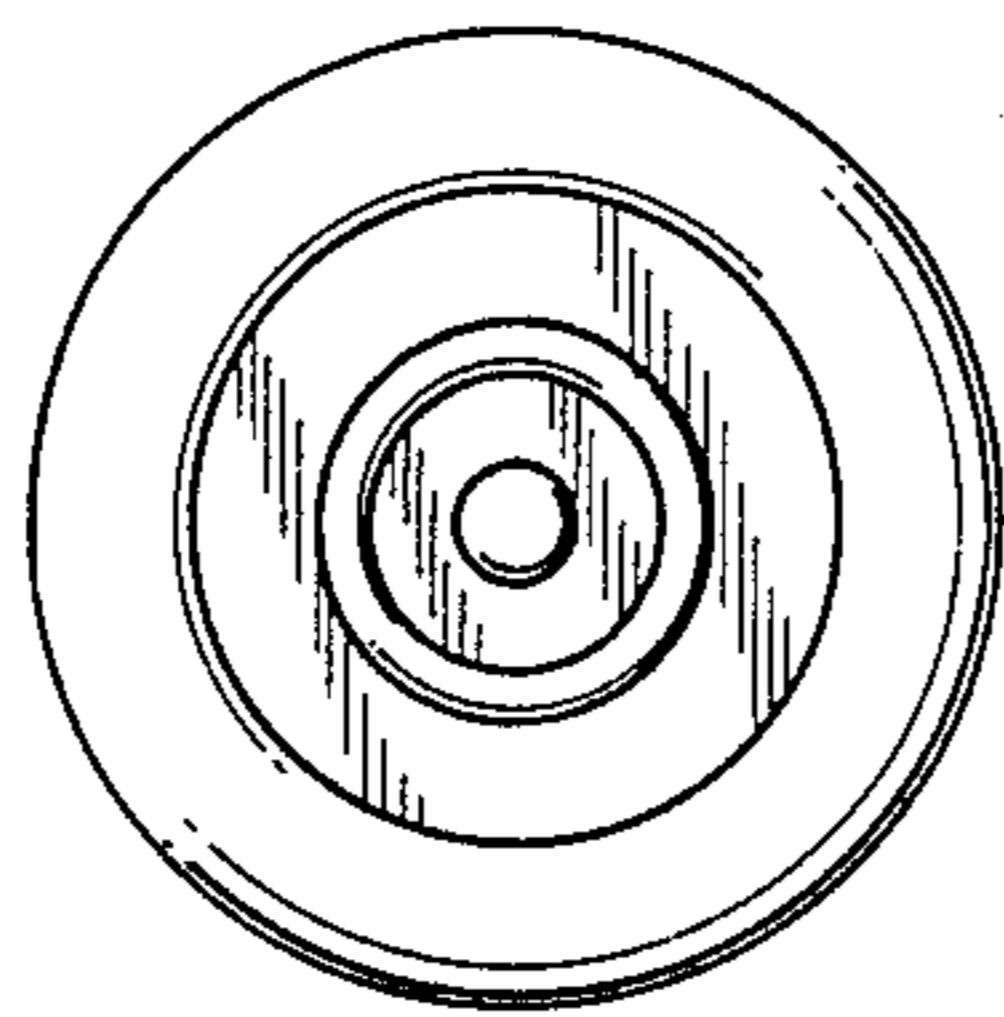


FIG. 4

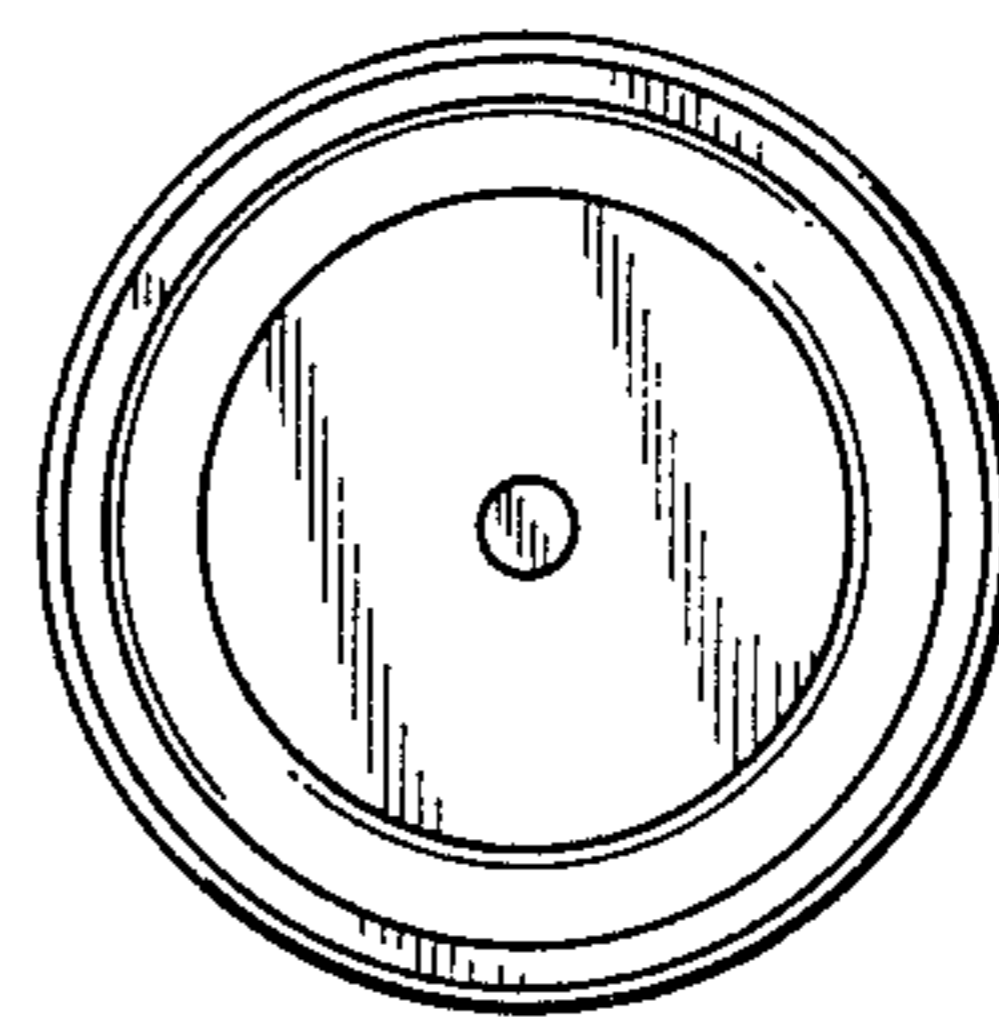


FIG. 5

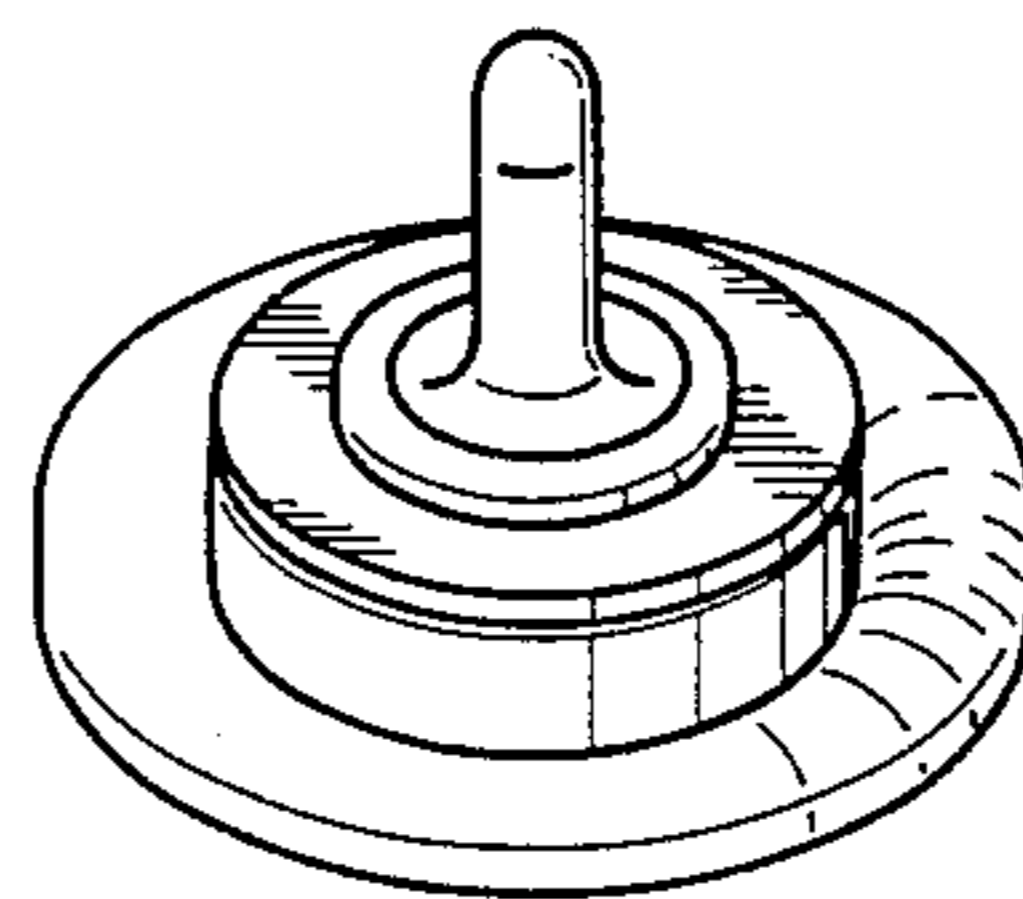


FIG. 6

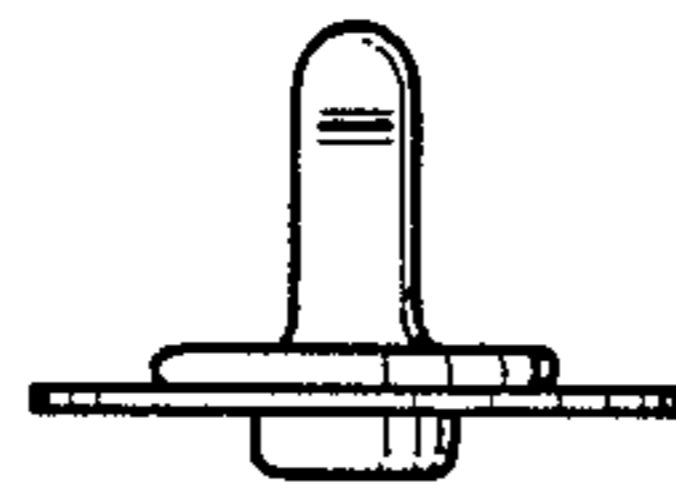


FIG. 7

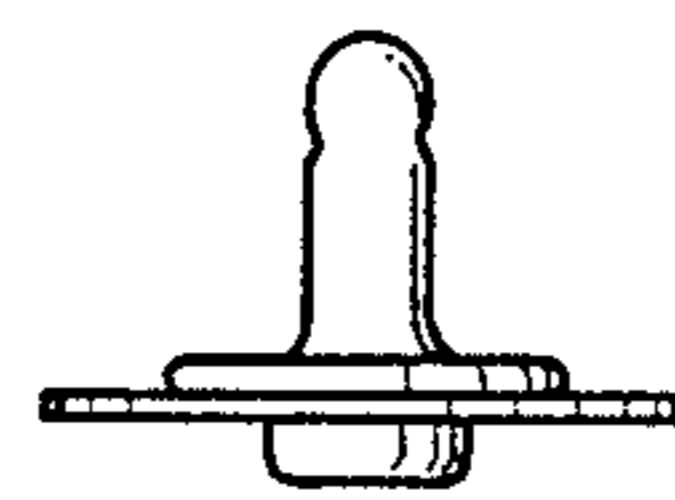


FIG. 8

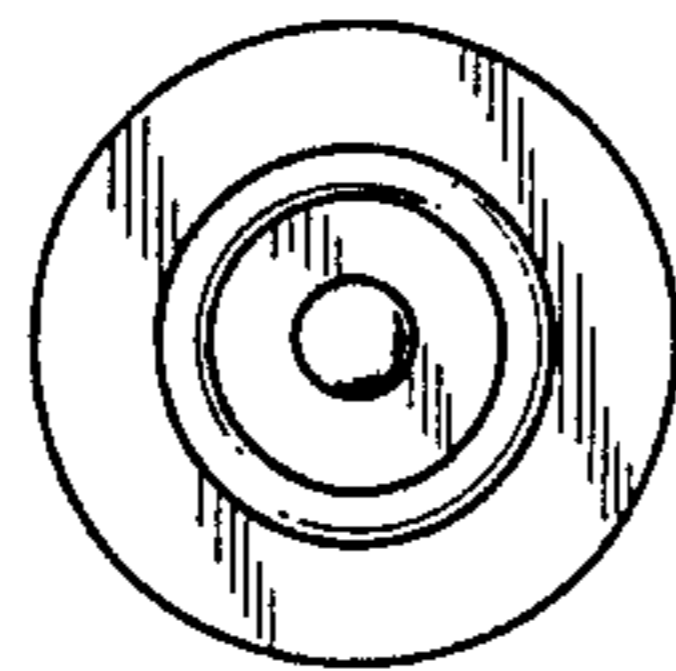


FIG. 9

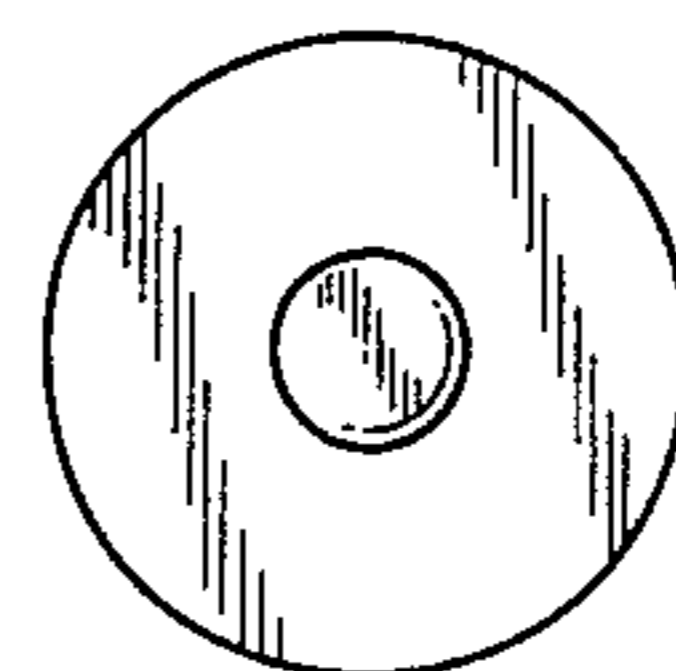


FIG. 10

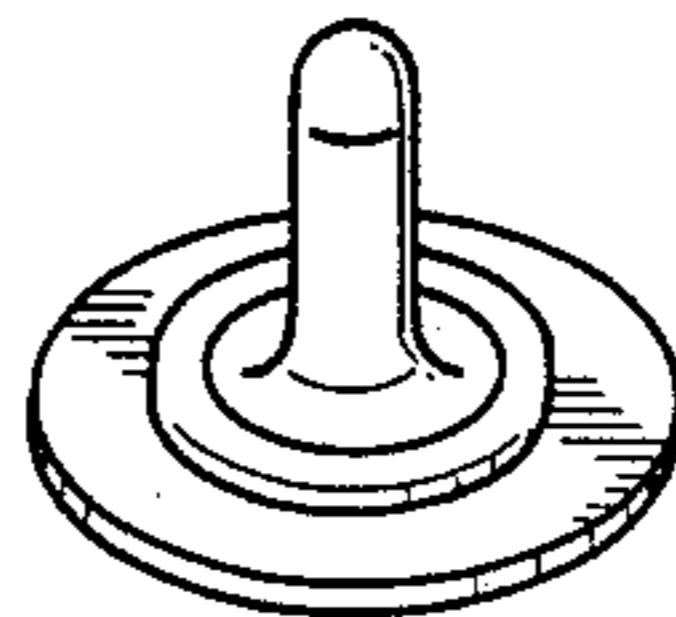


FIG. 11

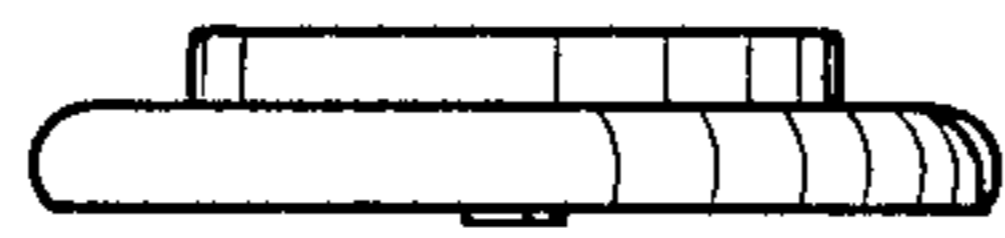


FIG. 12



FIG. 13

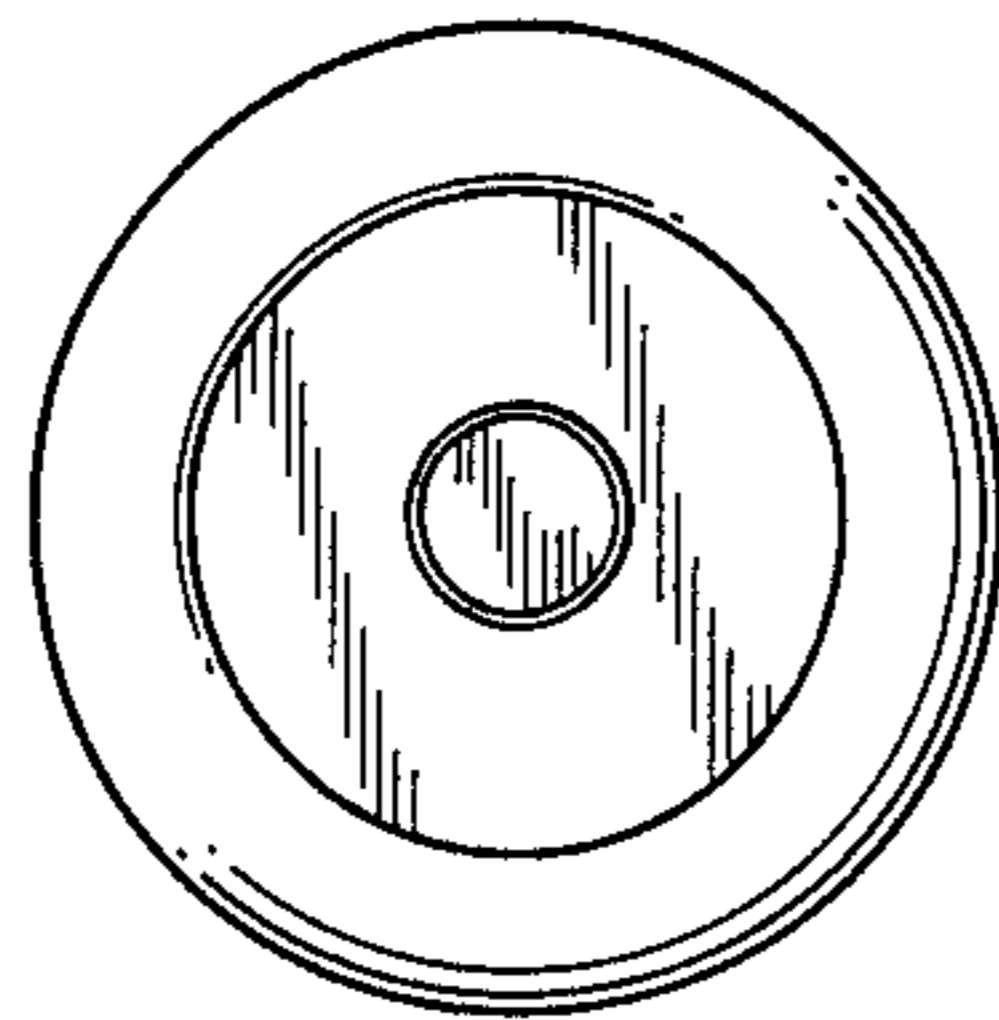


FIG. 14

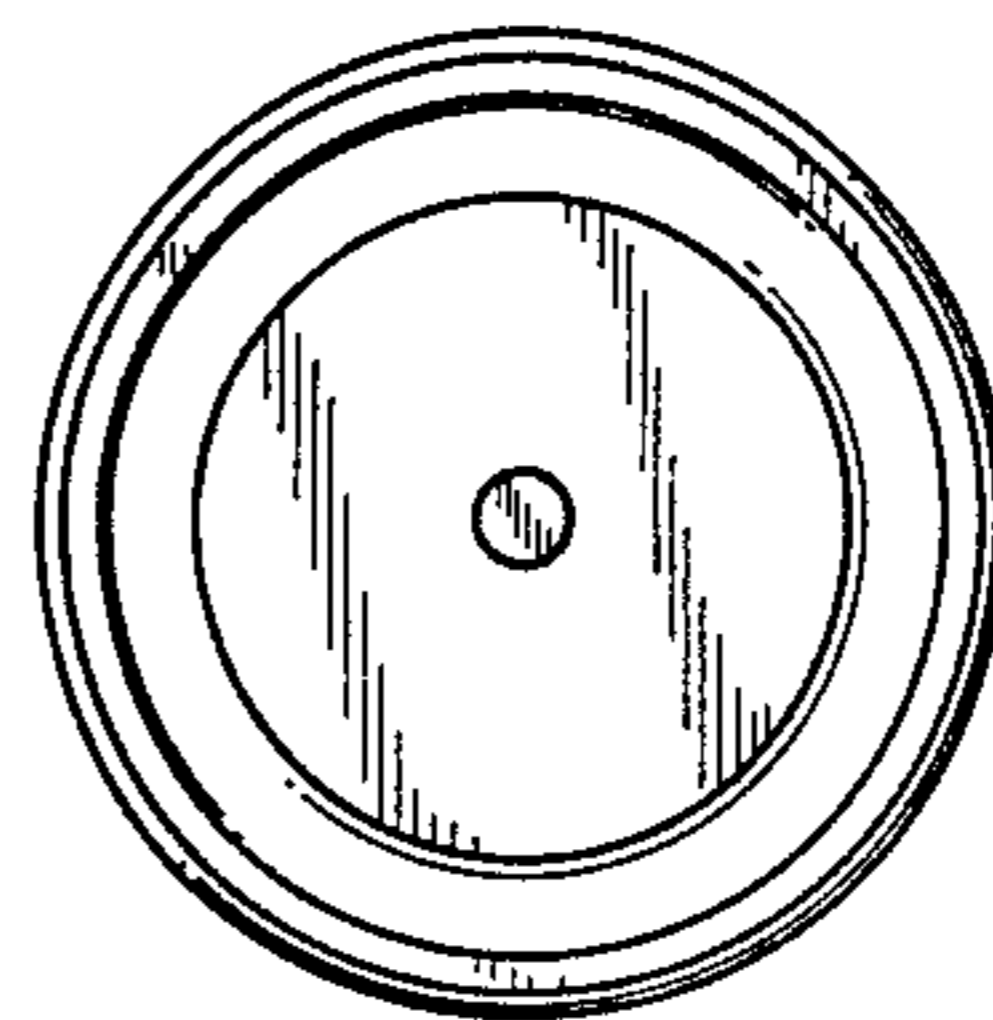


FIG. 15

