

[54] SELF-LOCKING IDENTIFICATION BRACELET

[76] Inventor: Barbara Wagner, 833 Mifflin Ave. Apt. 305, Pittsburgh, Pa. 15221

[\*\*] Term: 14 Years

[21] Appl. No.: 895,719

[22] Filed: Aug. 12, 1986

[52] U.S. Cl. .... D11/4; D11/12

[58] Field of Search ..... D11/1-6, D11/11-25, 93, 94; 63/1-11; 59/79.1-84, 90-92

[56] References Cited

U.S. PATENT DOCUMENTS

D. 112,303 11/1938 Huddle ..... D11/18 X

D. 278,693 5/1985 Perrin ..... D11/19  
D. 293,302 12/1987 Schoepfer ..... D11/21 X  
1,751,792 3/1930 Carlson ..... D11/12 X  
2,576,439 11/1951 Beck et al. .... 63/4 X

FOREIGN PATENT DOCUMENTS

535781 4/1922 France ..... 59/80

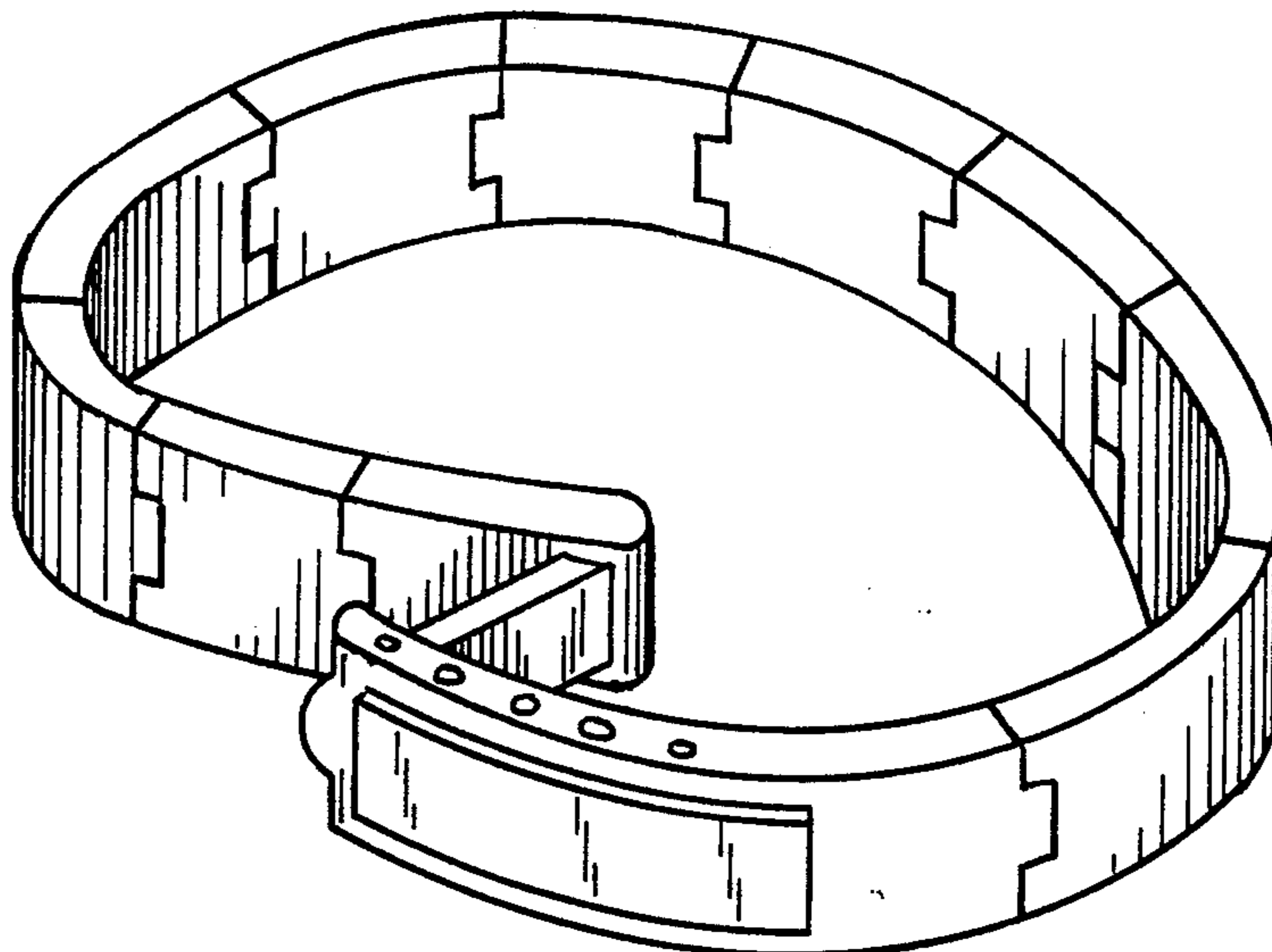
Primary Examiner—Louis S. Zarfes  
Attorney, Agent, or Firm—William J. Ruano

[57] CLAIM

The ornamental design for a self-locking identification bracelet, as shown and described.

DESCRIPTION

FIG. 1 is a top front perspective view of a self-locking identification bracelet, in the "open" position, showing my new design; and  
FIG. 2 is a bottom rear perspective view thereof.



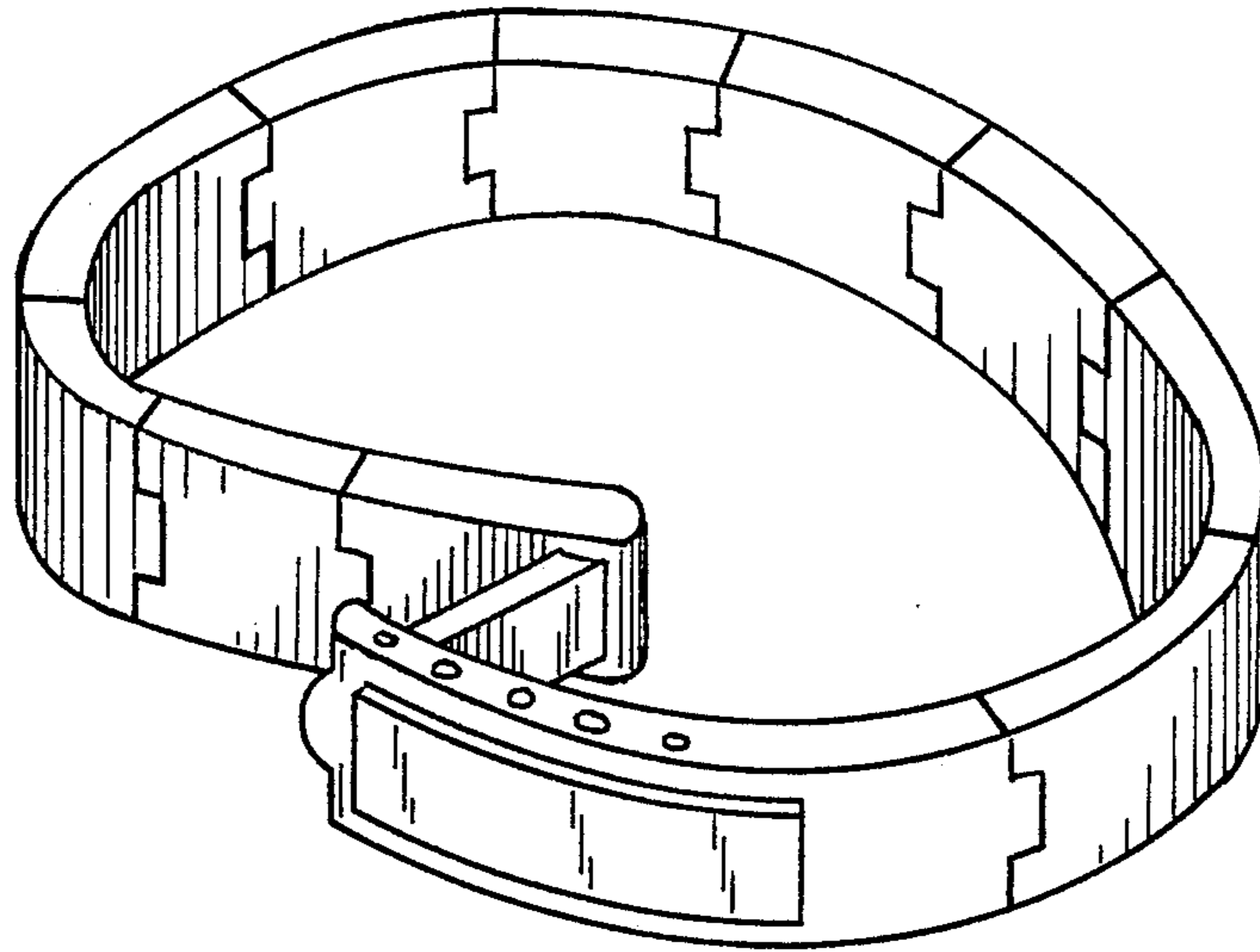


FIG. 1

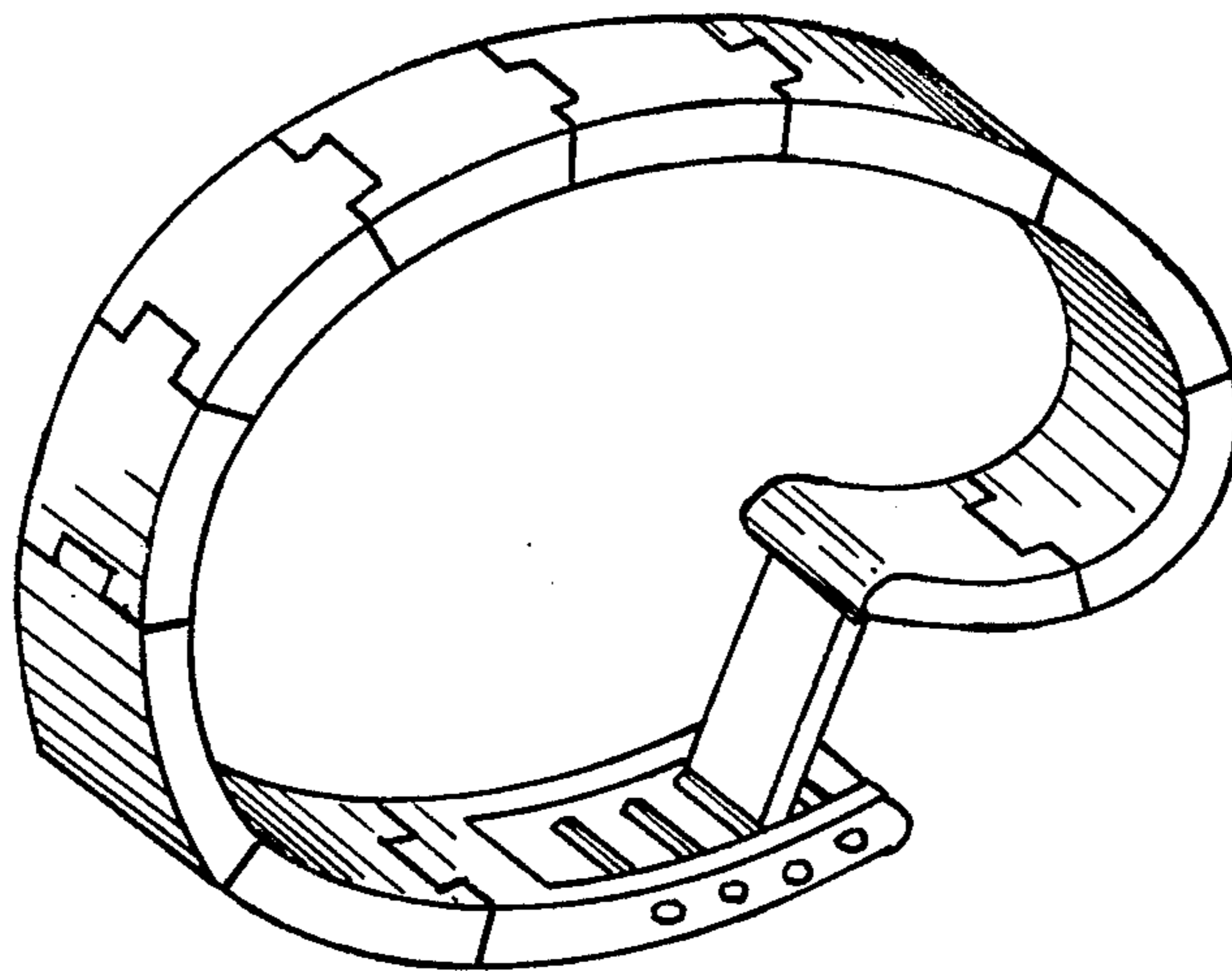


FIG. 2