

[54] **PACKAGING CONTAINER FOR FOOD**
 [75] Inventor: **Oskar R. Terauds, Willoughby, Ohio**
 [73] Assignee: **The Stouffer Corporation, Solon, Ohio**
 [**] Term: **14 Years**
 [21] Appl. No.: **930,556**
 [22] Filed: **Nov. 14, 1986**
 [52] U.S. Cl. **D9/428; D9/424**
 [58] Field of Search **D9/414, 424, 425, 429, D9/428; 206/557, 564, 558, 563, 45.32; 229/902, 905, 906; 220/4 C, 4 D, 4 R, DIG. 12, DIG. 14**

4,183,446 1/1980 Davis 220/306
 4,375,862 3/1983 Kurinsky et al. 220/293
 4,452,356 6/1984 Dahl 206/45.32

OTHER PUBLICATIONS

Prepared Foods, Gorman Publishing Company, p. 3, Summer of 1986.

Primary Examiner—Bernard Ansher
Assistant Examiner—Prabhakar Deshmukh
Attorney, Agent, or Firm—Body, Vickers & Daniels

[57] **CLAIM**

The ornamental design for packaging container for food, as shown and described.

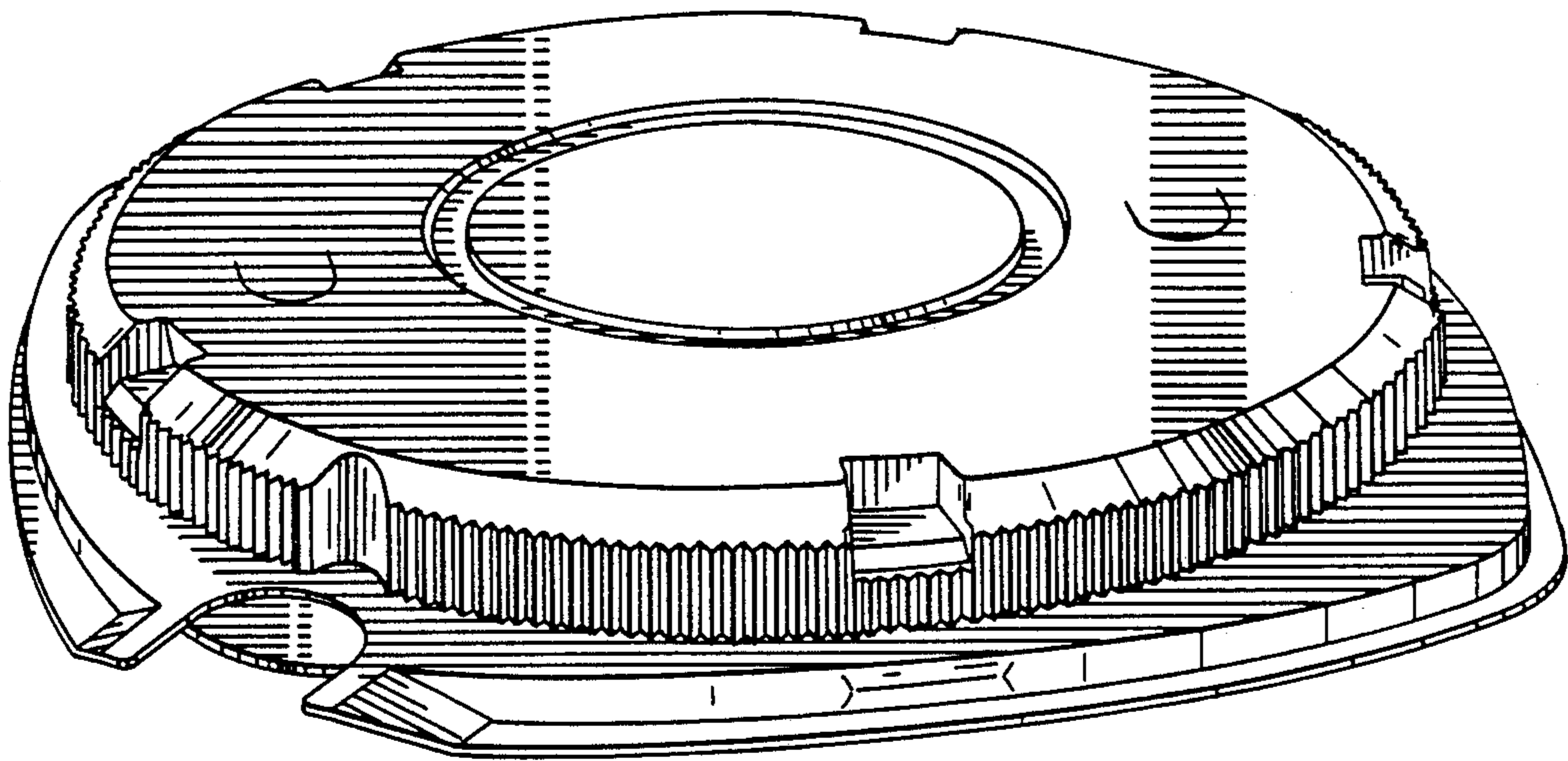
DESCRIPTION

FIG. 1 is a perspective view of a packaging container for food showing my new design;
 FIG. 2 is a top plan view thereof;
 FIG. 3 is a front elevation thereof;
 FIG. 4 is a rear side elevation thereof;
 FIG. 5 is a bottom plan view thereof;
 FIG. 6 is an enlarged fragmentary sectional view taken on line 6—6 of FIG. 2;
 FIG. 7 is an enlarged fragmentary sectional view taken on line 7—7 of FIG. 2;
 FIG. 8 is an enlarged fragmentary sectional view taken on line 8—8 of FIG. 2; and,
 FIG. 9 is an exploded perspective view with cover and base plate shown separately

[56] **References Cited**

U.S. PATENT DOCUMENTS

D. 250,172	11/1978	Retelny	D9/425
D. 290,232	6/1987	Holzkopf et al.	D9/424
D. 292,887	11/1987	Schouten	D9/424
D. 295,830	5/1988	Holly	D9/424
3,902,540	9/1975	Commisso	150/0.5
3,904,074	9/1975	Hoffman et al.	220/339
3,935,962	2/1976	Schubert et al.	220/306
3,938,726	2/1976	Holden, Jr. et al.	229/2.5 R
3,955,710	5/1976	Commisso	220/367
4,013,798	3/1977	Goltsos	426/107
4,061,241	12/1977	Retelny	D9/425
4,132,344	1/1979	Jewell	229/2.5 R
4,146,170	3/1979	Medendorp	229/43



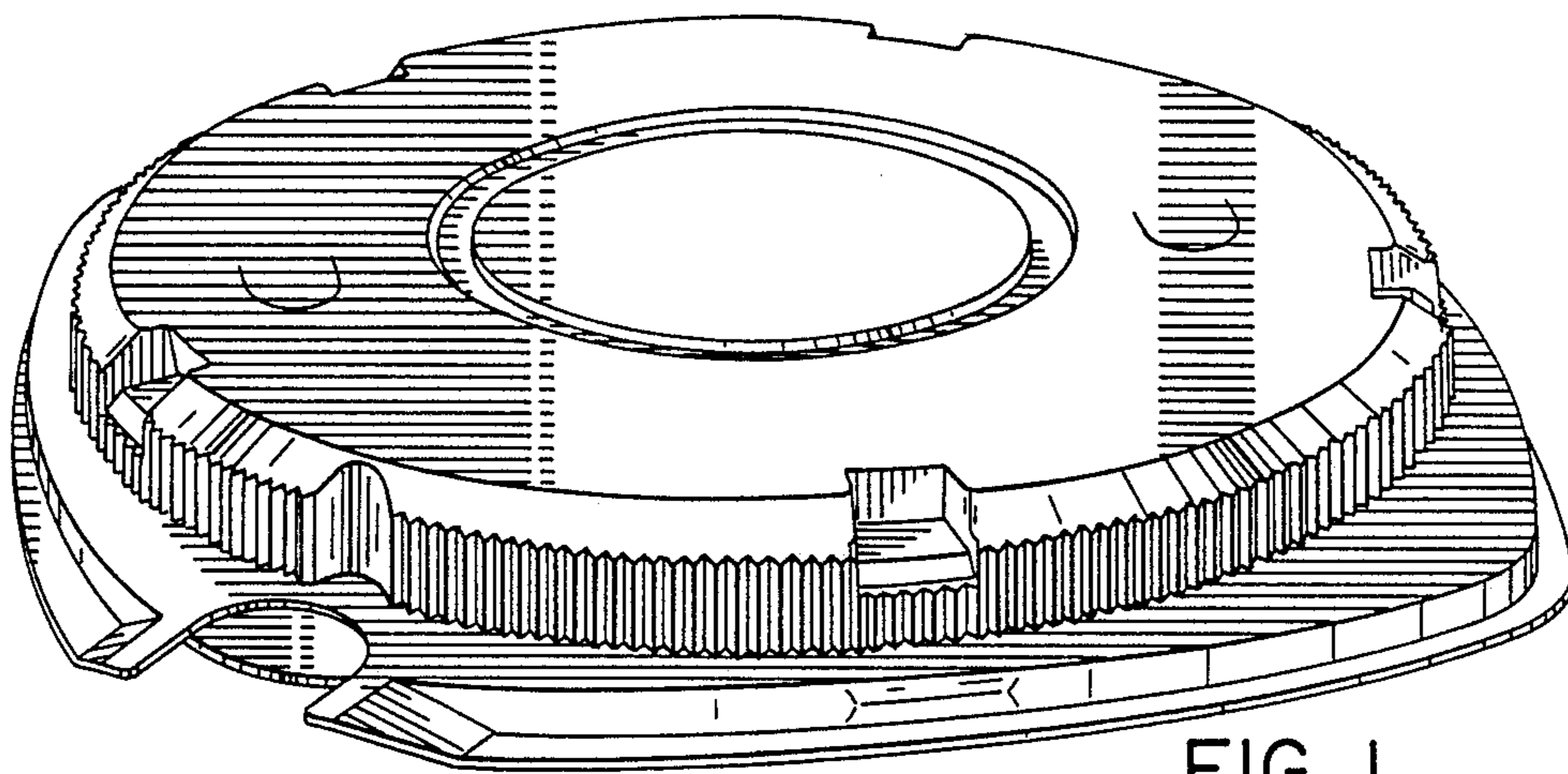


FIG. 1

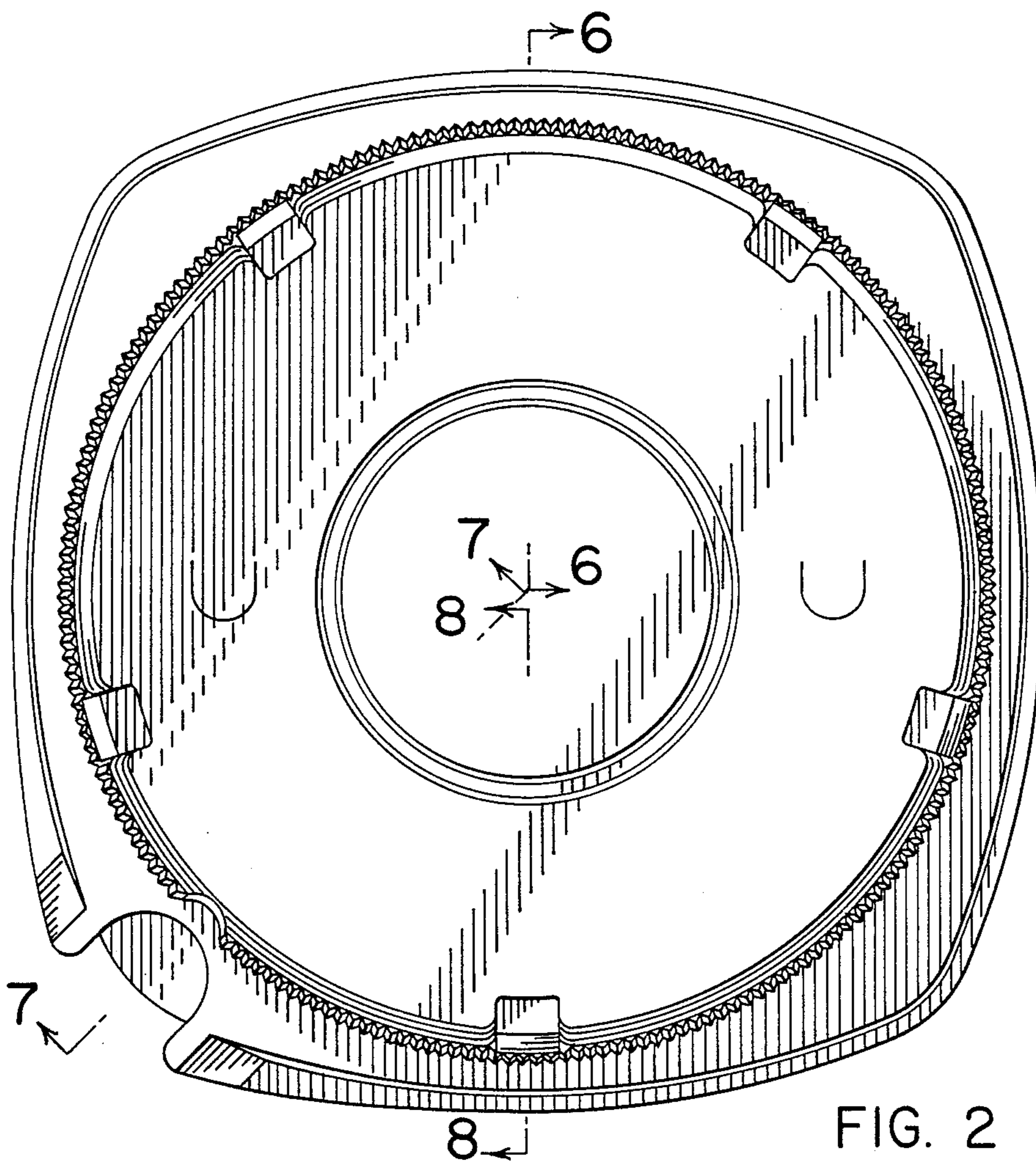


FIG. 2

FIG. 3

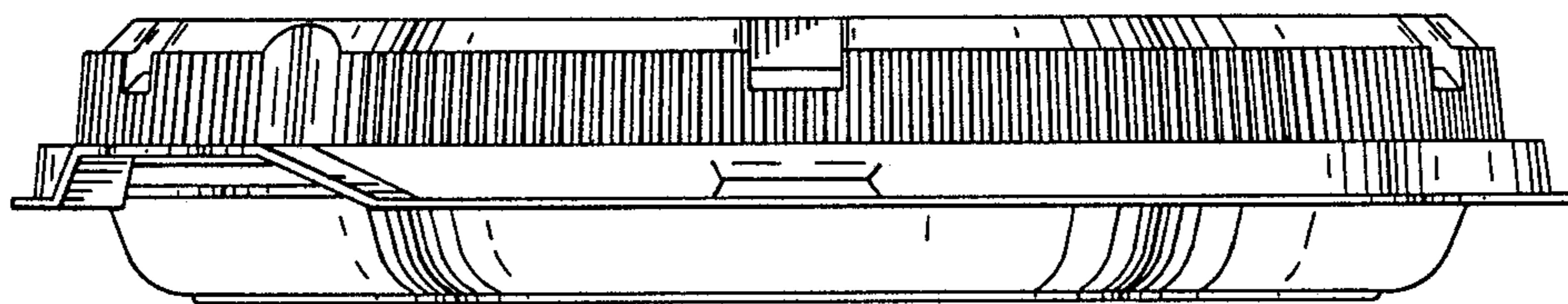


FIG. 4

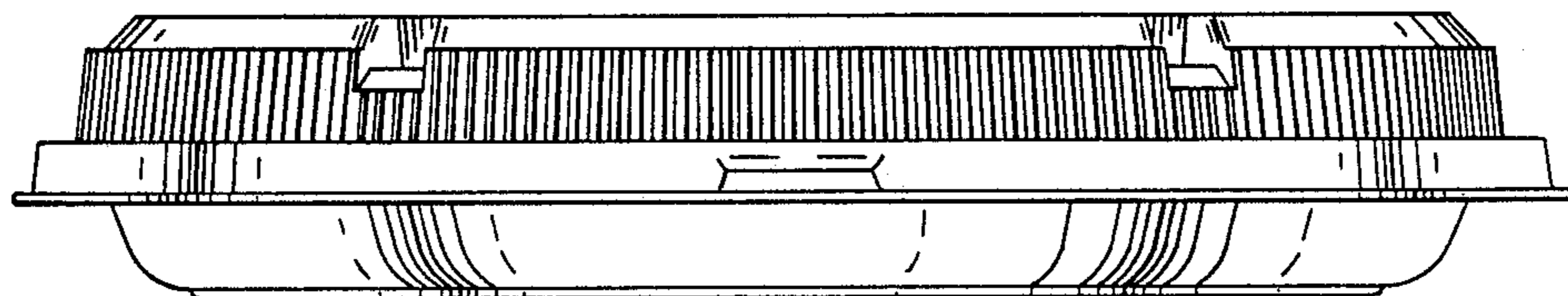
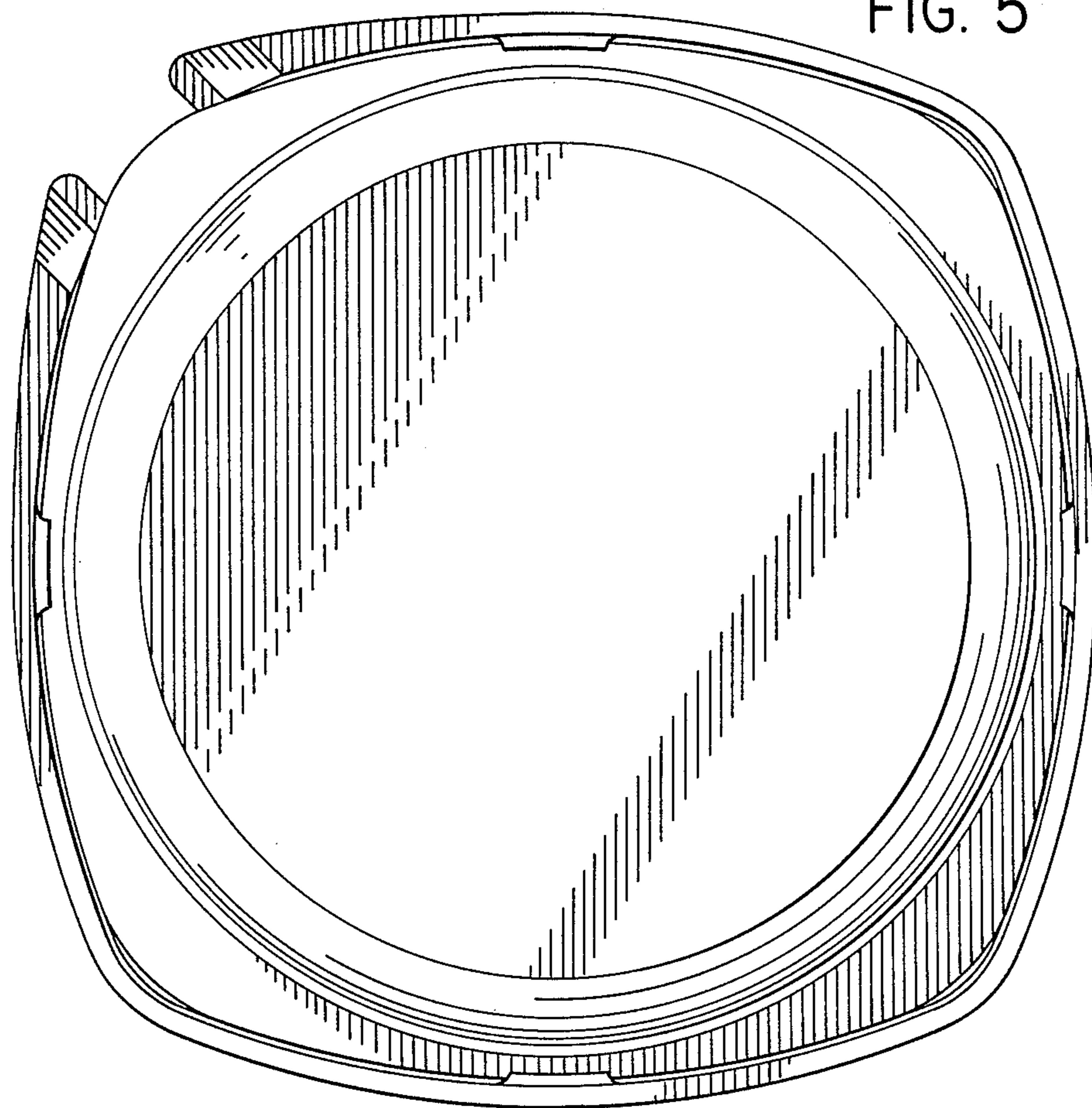


FIG. 5



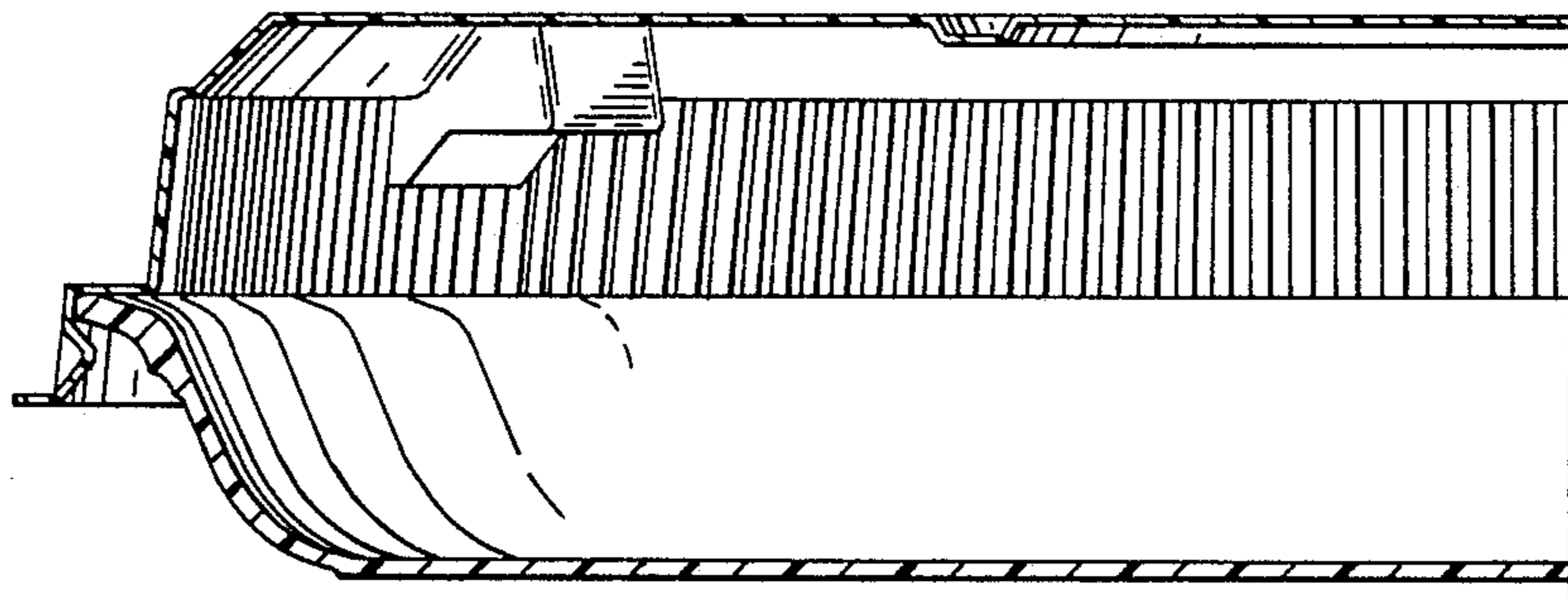


FIG. 6

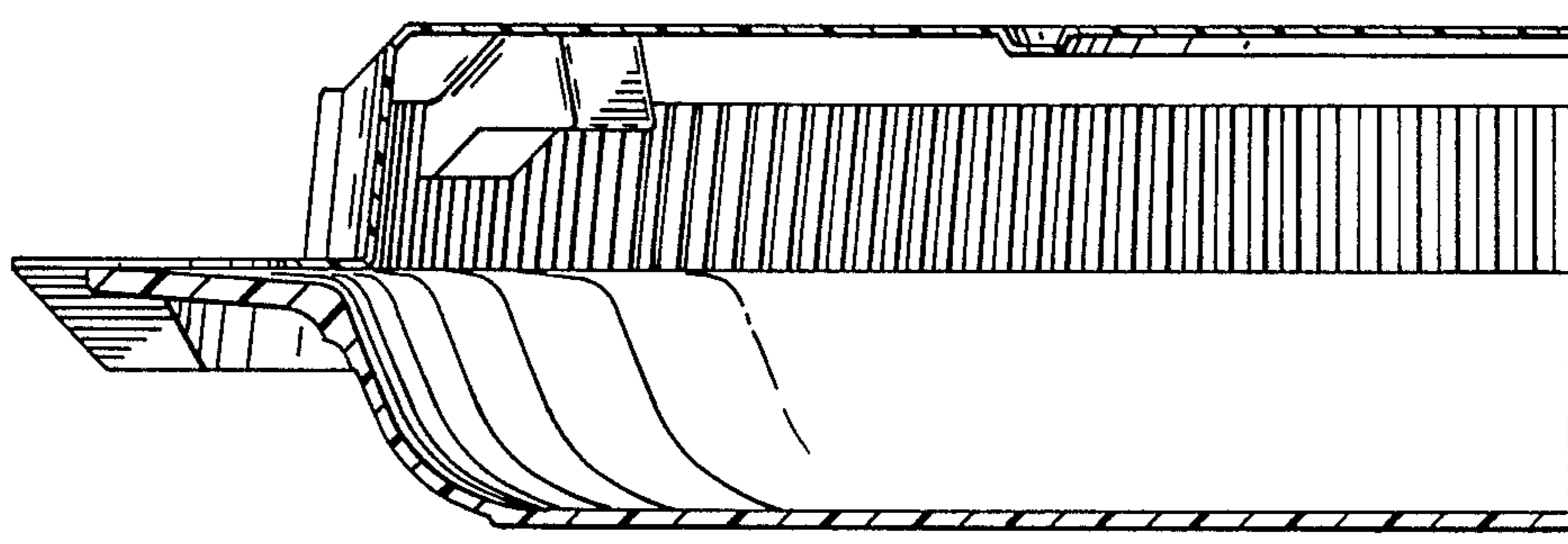


FIG. 7

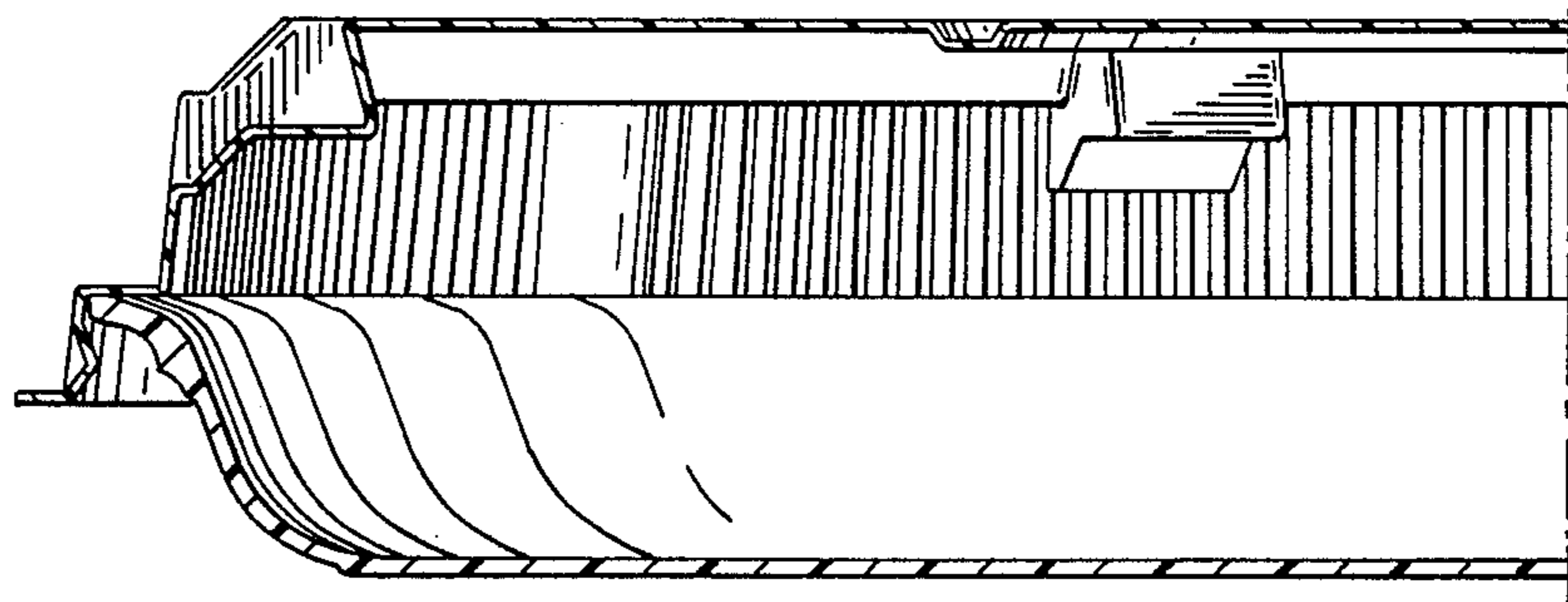


FIG. 8

FIG. 9

